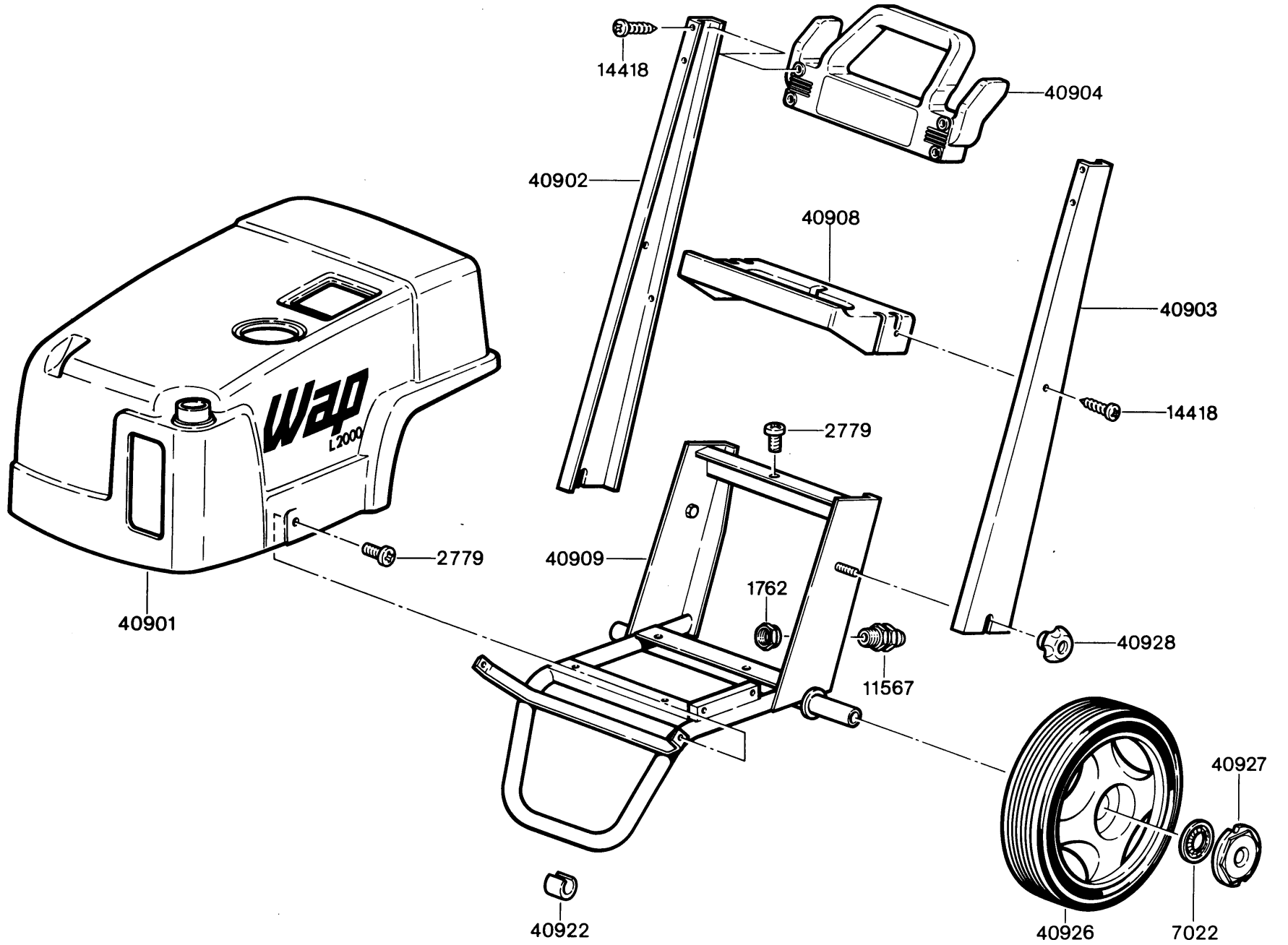


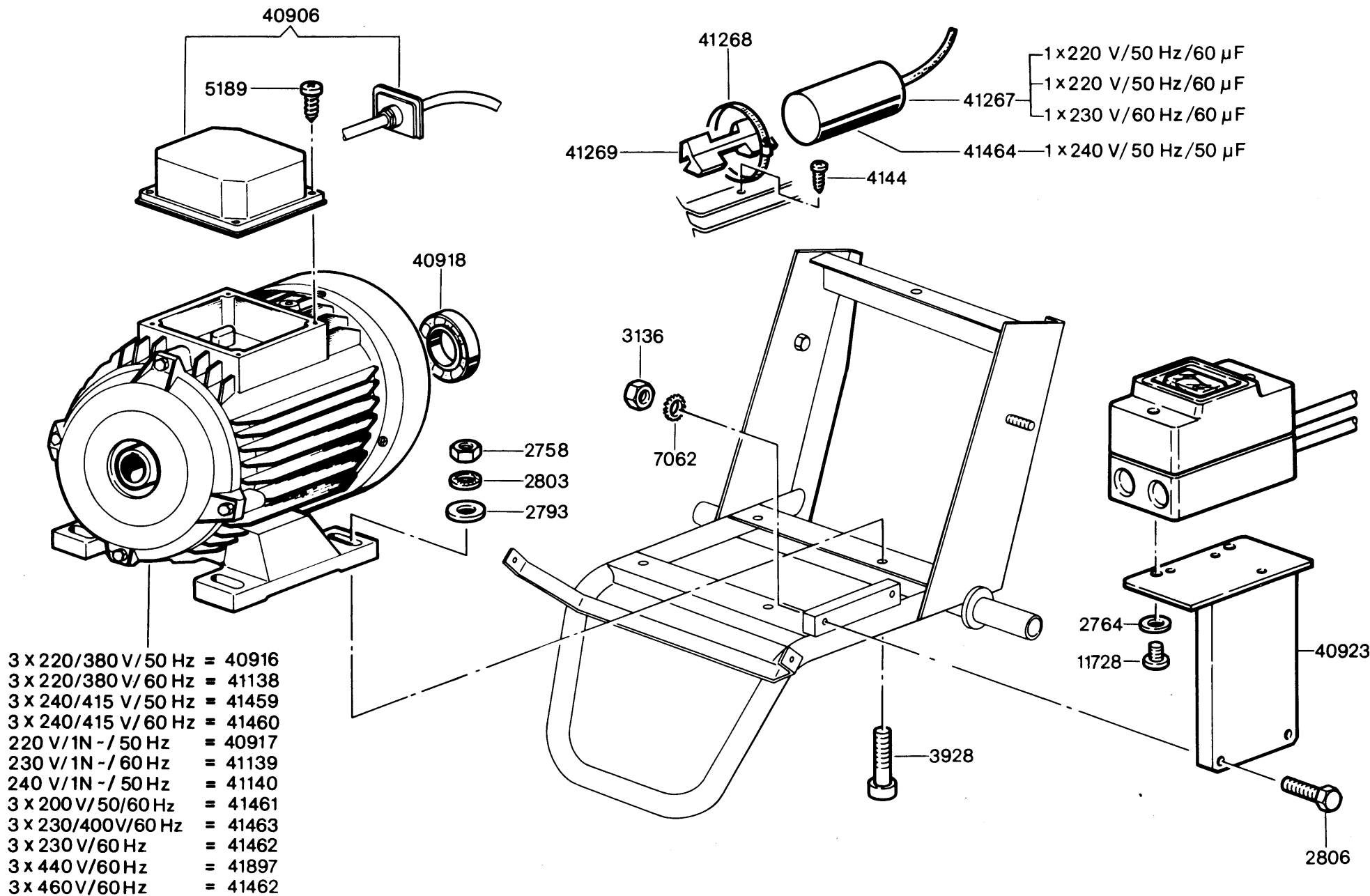


Wap L 2000

Wap L 2000 W

Ersatzteilliste

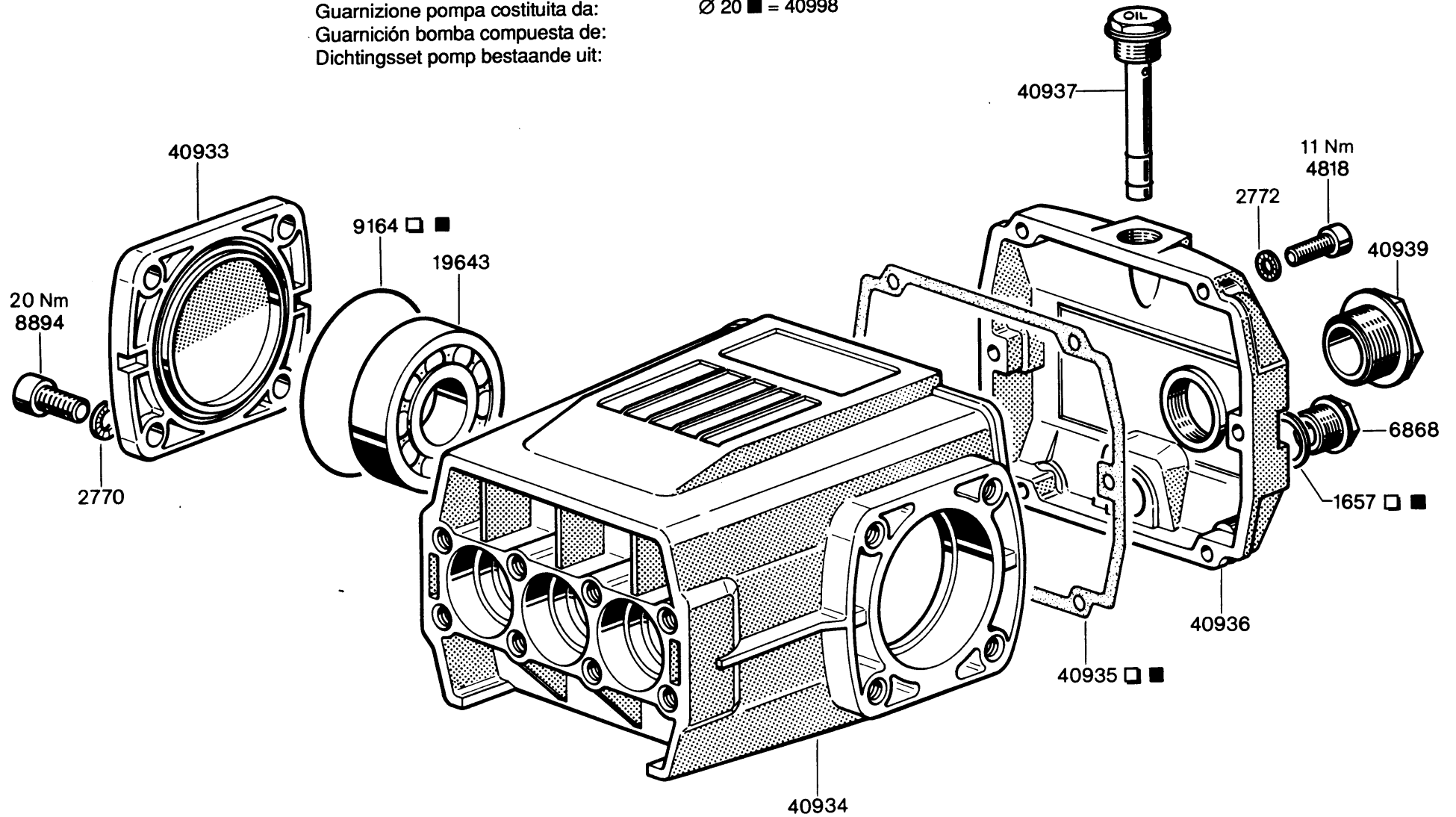


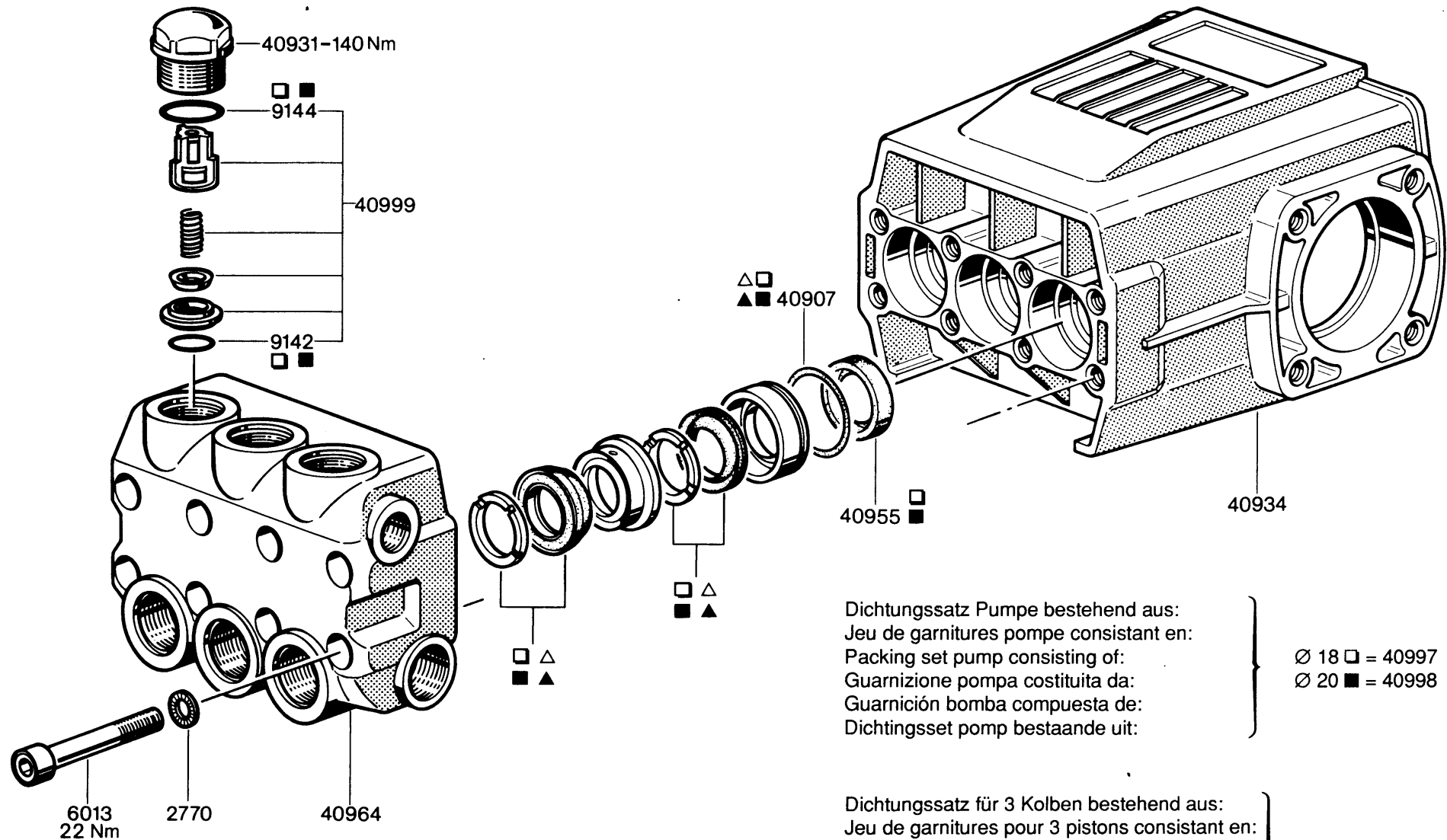


Dichtungssatz Pumpe bestehend aus:  
 Jeu de garnitures pompe consistant en:  
 Packing set pump consisting of:  
 Guarnizione pompa costituita da:  
 Guarnición bomba compuesta de:  
 Dichtingsset pomp bestaande uit:

Ø 18 ◻ = 40997

Ø 20 ◼ = 40998





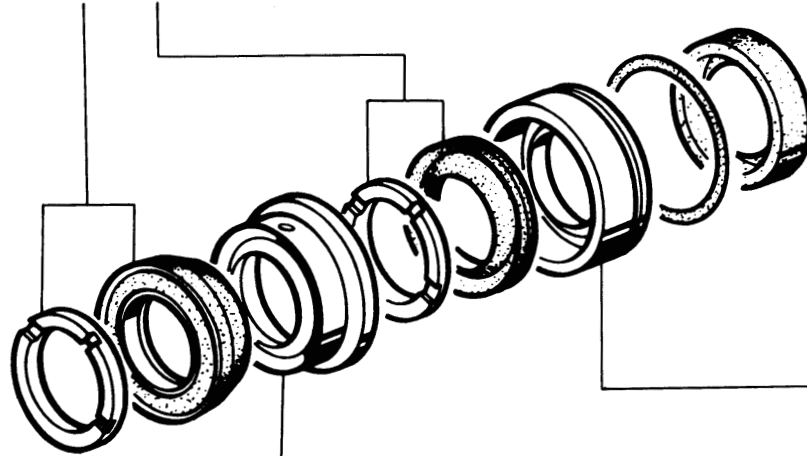
Dichtungssatz Pumpe bestehend aus:  
 Jeu de garnitures pompe consistant en:  
 Packing set pump consisting of:  
 Guarnizione pompa costituita da:  
 Guarnición bomba compuesta de:  
 Dichtingsset pomp bestaande uit:

}
   
 Ø 18 □ = 40997
   
 Ø 20 ■ = 40998

Dichtungssatz für 3 Kolben bestehend aus:  
 Jeu de garnitures pour 3 pistons consistant en:  
 Packing set for 3 pistons consisting of:  
 Guarnizione per 3 pistoni costituita da:  
 Guarnición para 3 émbolos compuesta de:  
 Dichtingsset voor 3 plunjers bestaande uit:

}
   
 Ø 18 △ = 40993
   
 Ø 20 ▲ = 40994

	▲	∅ 20	∅ 18	△
	■	41456	41457	□
3 x 220/380 V/ 50 Hz =	●		●	
3 x 220/380 V/ 60 Hz =		●		
3 x 240/415 V/ 50 Hz =		●		
3 x 240/415 V/ 60 Hz =			●	
220 V/1N -/ 50 Hz =			●	
230 V/1N -/ 60Hz =			●	
240 V/1N -/ 50 Hz =			●	
3 x 200V/50/60 Hz =			●	
3 x 230/400V/60 Hz =			●	
3 x 230 V/60 Hz =			●	
3 x 440 V/60Hz =			●	
3 x 460V/60Hz =			●	



	∅ 20	∅ 18
	40962	40963
3 x 220/380 V/ 50 Hz =	●	
3 x 220/380 V/ 60 Hz =		●
3 x 240/415 V/ 50 Hz =	●	
3 x 240/415 V/ 60 Hz =		●
220 V/1N -/ 50 Hz =		●
230 V/1N -/ 60Hz =		●
240 V/1N -/ 50 Hz =		●
3 x 200V/50/60 Hz =		●
3 x 230/400V/60 Hz =		●
3 x 230 V/60 Hz =		●
3 x 440 V/60Hz =		●
3 x 460V/60Hz =		●

Dichtungssatz Pumpe bestehend aus:  
 Jeu de garnitures pompe consistant en:  
 Packing set pump consisting of:  
 Guarnizione pompa costituita da:  
 Guarnición bomba compuesta de:  
 Dichtingsset pomp bestaande uit:

∅ 18 □ = 40997  
 ∅ 20 ■ = 40998

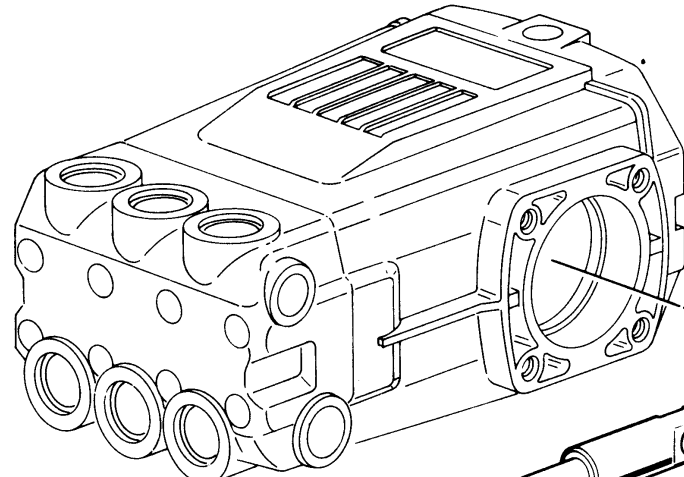
Dichtungssatz für 3 Kolben bestehend aus:  
 Jeu de garnitures pour 3 pistons consistant en:  
 Packing set for 3 pistons consisting of:  
 Guarnizione per 3 pistoni costituita da:  
 Guarnición para 3 émbolos compuesta de:  
 Dichtingsset voor 3 plunjers bestaande uit:

∅ 18 △ = 40993  
 ∅ 20 ▲ = 40994

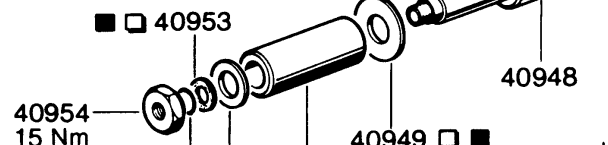
	∅ 20	∅ 18
	40960	40961
3 x 220/380 V/ 50 Hz =	●	
3 x 220/380 V/ 60 Hz =		●
3 x 240/415 V/ 50 Hz =	●	
3 x 240/415 V/ 60 Hz =		●
220 V/1N -/ 50 Hz =		●
230 V/1N -/ 60 Hz =		●
240 V/1N -/ 50 Hz =		●
3 x 200V/50/60 Hz =		●
3 x 230/400V/60 Hz =		●
3 x 230 V/60 Hz =		●
3 x 440 V/60Hz =		●
3 x 460V/60Hz =		●

Dichtungssatz Pumpe bestehend aus:  
 Jeu de garnitures pompe consistant en:  
 Packing set pump consisting of:  
 Guarnizione pompa costituita da:  
 Guarnición bomba compuesta de:  
 Dichtingsset pomp bestaande uit:

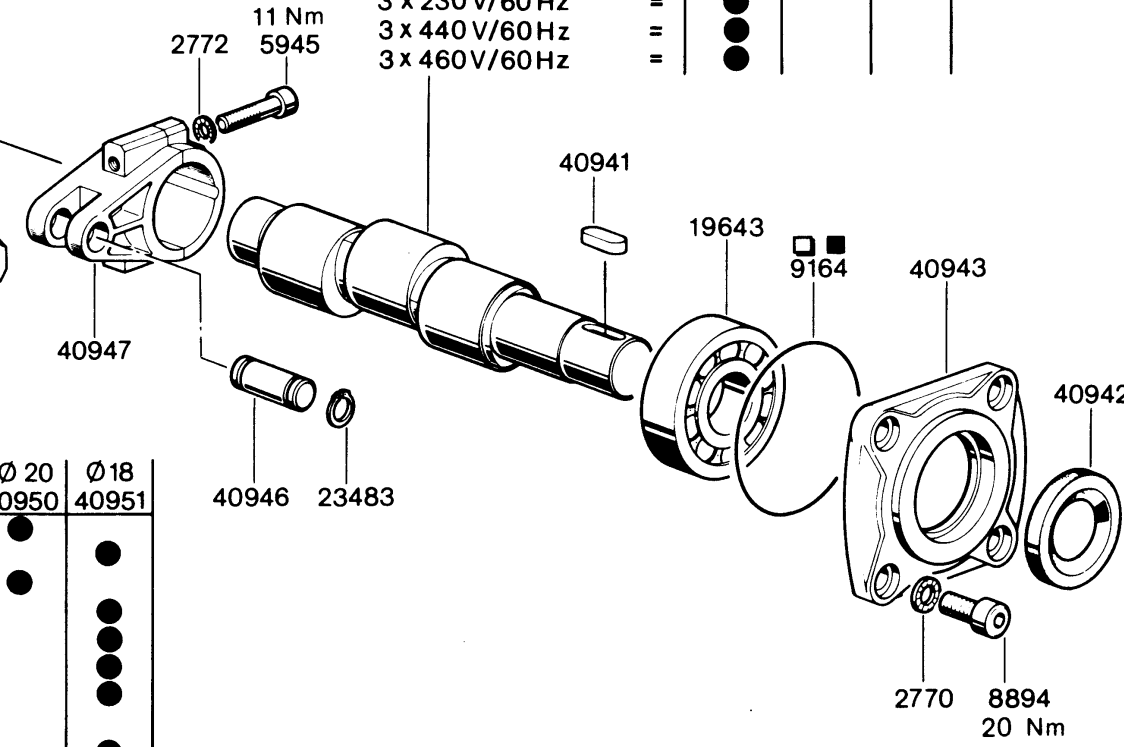
∅ 18 □ = 40997  
 ∅ 20 ■ = 40998



	40944	40945	41178
3 x 220/380 V / 50 Hz =	●		
3 x 220/380 V / 60 Hz =	●		
3 x 240/415 V / 50 Hz =	●		
3 x 240/415 V / 60 Hz =	●		
220 V / 1N - / 50 Hz =			●
230 V / 1N - / 60 Hz =		●	
240 V / 1N - / 50 Hz =			●
3 x 200 V / 50/60 Hz =	●		
3 x 230/400V/60 Hz =	●		
3 x 230 V / 60 Hz =	●		
3 x 440 V / 60 Hz =	●		
3 x 460 V / 60 Hz =	●		



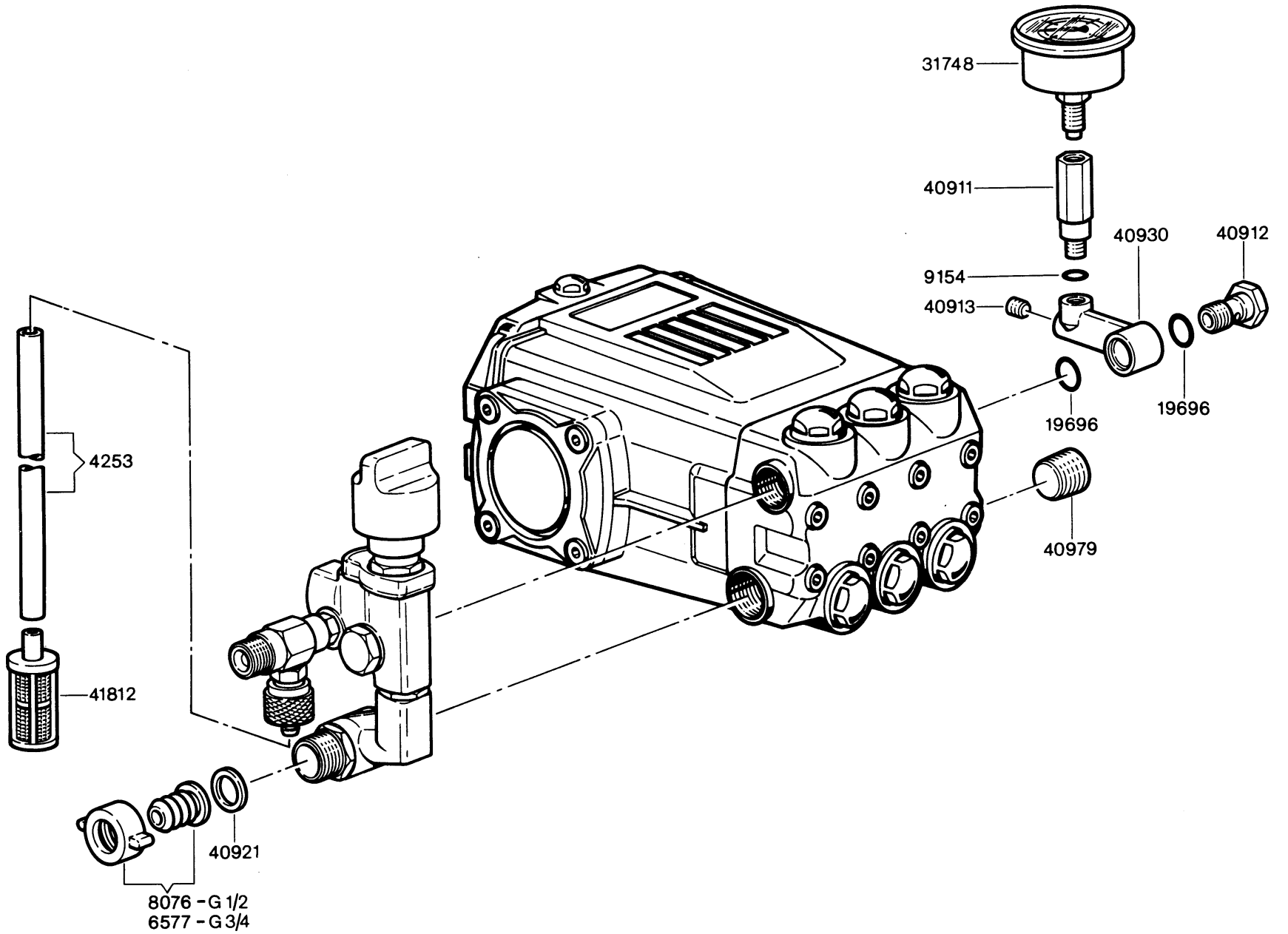
	∅ 20 40950	∅ 18 40951
3 x 220/380 V / 50 Hz =	●	
3 x 220/380 V / 60 Hz =		●
3 x 240/415 V / 50 Hz =	●	
3 x 240/415 V / 60 Hz =		●
220 V / 1N - / 50 Hz =		●
230 V / 1N - / 60 Hz =		●
240 V / 1N - / 50 Hz =		●
3 x 200 V / 50/60 Hz =		●
3 x 230/400V/60 Hz =		●
3 x 230 V / 60 Hz =		●
3 x 440 V / 60 Hz =		●
3 x 460 V / 60 Hz =		●



- □ 40953
- 40954 15 Nm
- □ 7424
- □ 40952

	∅ 20 40950	∅ 18 40951
3 x 220/380 V / 50 Hz =	●	
3 x 220/380 V / 60 Hz =		●
3 x 240/415 V / 50 Hz =	●	
3 x 240/415 V / 60 Hz =		●
220 V / 1N - / 50 Hz =		●
230 V / 1N - / 60 Hz =		●
240 V / 1N - / 50 Hz =		●
3 x 200 V / 50/60 Hz =		●
3 x 230/400V/60 Hz =		●
3 x 230 V / 60 Hz =		●
3 x 440 V / 60 Hz =		●
3 x 460 V / 60 Hz =		●

2770 8894  
 20 Nm





Reparatursatz für Regelsicherheitsblock  
bestehend aus:

\* 40984

Jeu de réparation pour le bloc régulateur de sécurité  
consistant en:

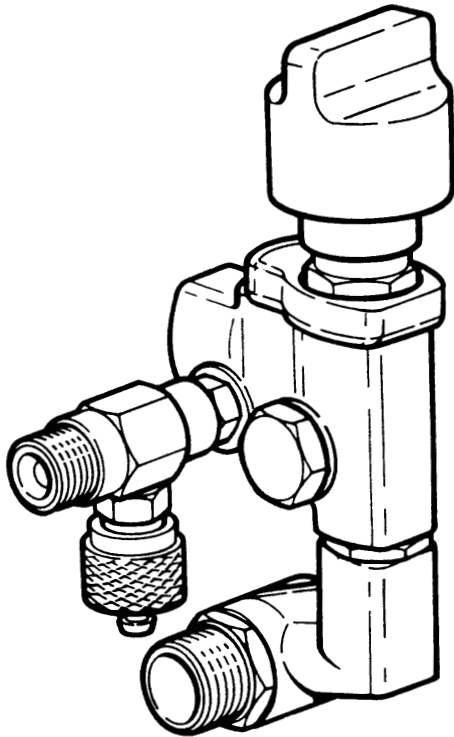
\* 40984

Repair set for regulation safety block  
consisting of:

\* 40984

Giucoco di riparazione per il blocco regolatore di sicurezza  
composto di:

\* 40984

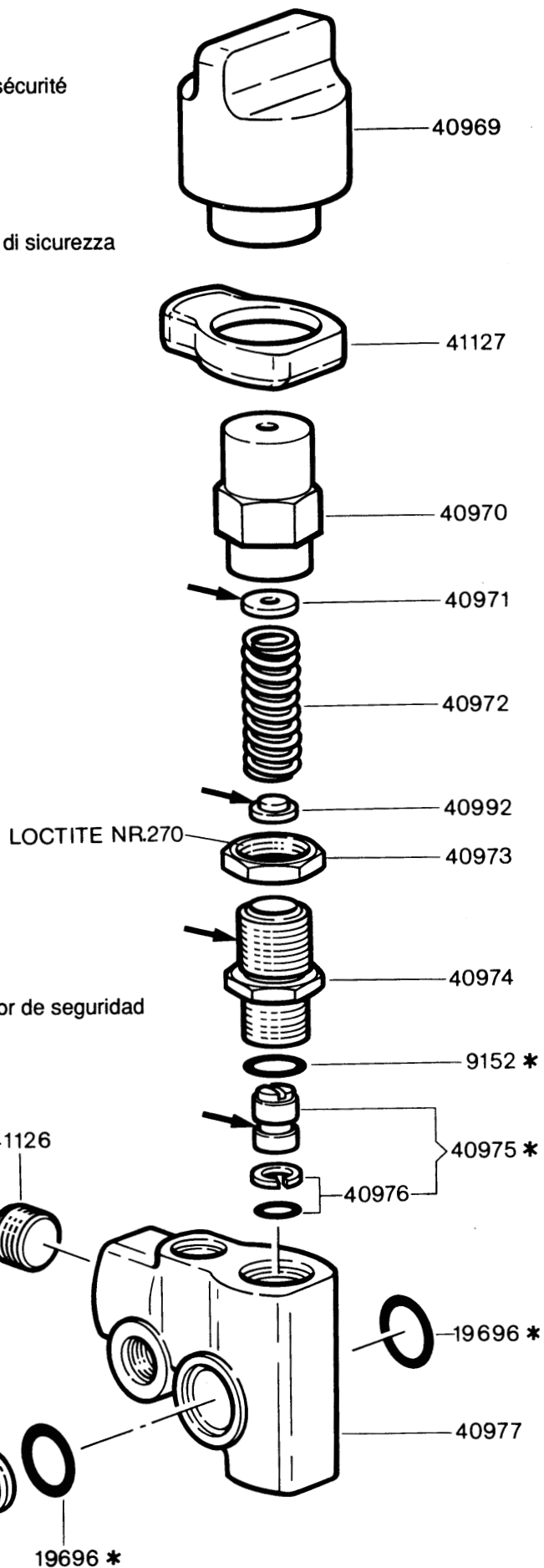


Juego de reparacion para el bloque regulador de seguridad  
compuesto de:

\* 40984

Reparatieset voor regelveiligheidsunit  
bestaande uit:

\* 40984



LOCTITE NR.270

50 Nm  
40978

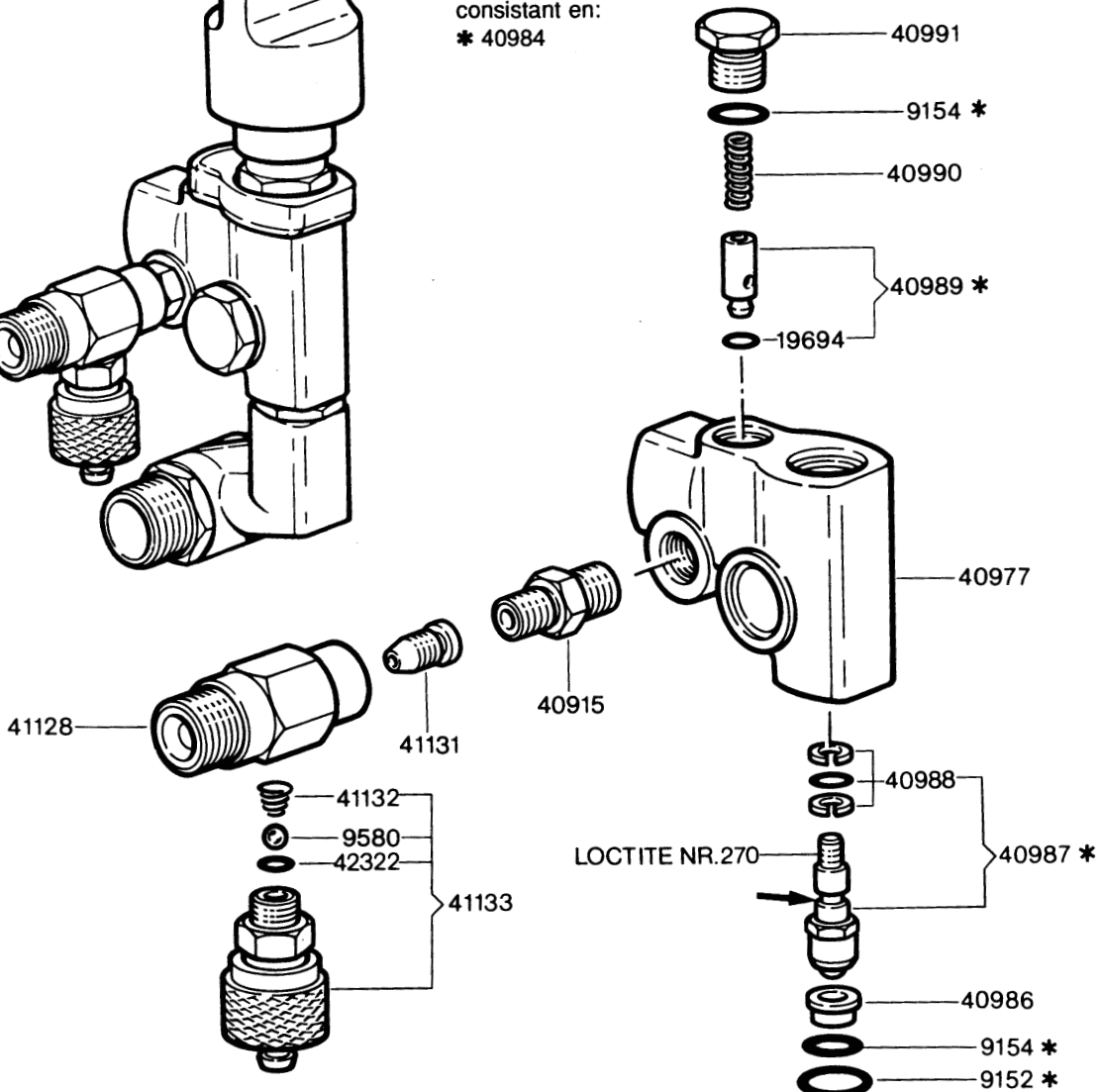
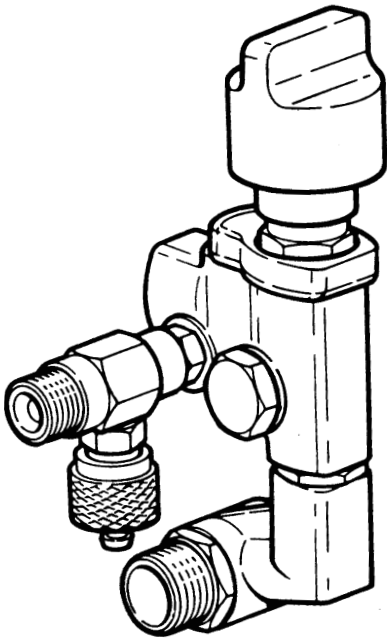
Spezialfett  
Graisse spéciale  
Special Grease  
Unto speciale  
Grasa especial  
Speciaal Vet  
↓ 41455-50g

Reparatursatz für Regelsicherheitsblock  
bestehend aus:

\* 40984

Jeu de réparation pour le bloc régulateur de sécurité  
consistant en:

\* 40984



Repair set for regulation safety block  
consisting of:

\* 40984

Giuoco di riparazione per il blocco regolatore di sicurezza  
composto di:

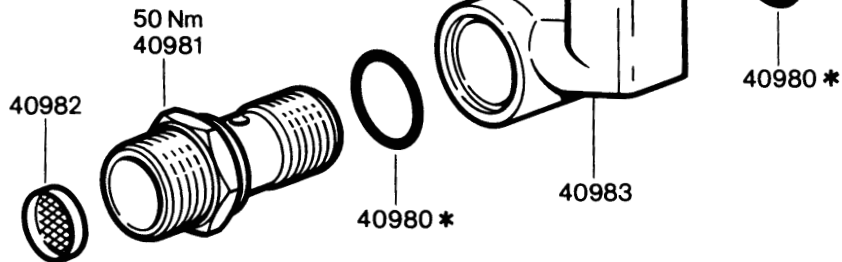
\* 40984

Juego de reparacion para el bloque regulador de seguridad  
compuesto de:

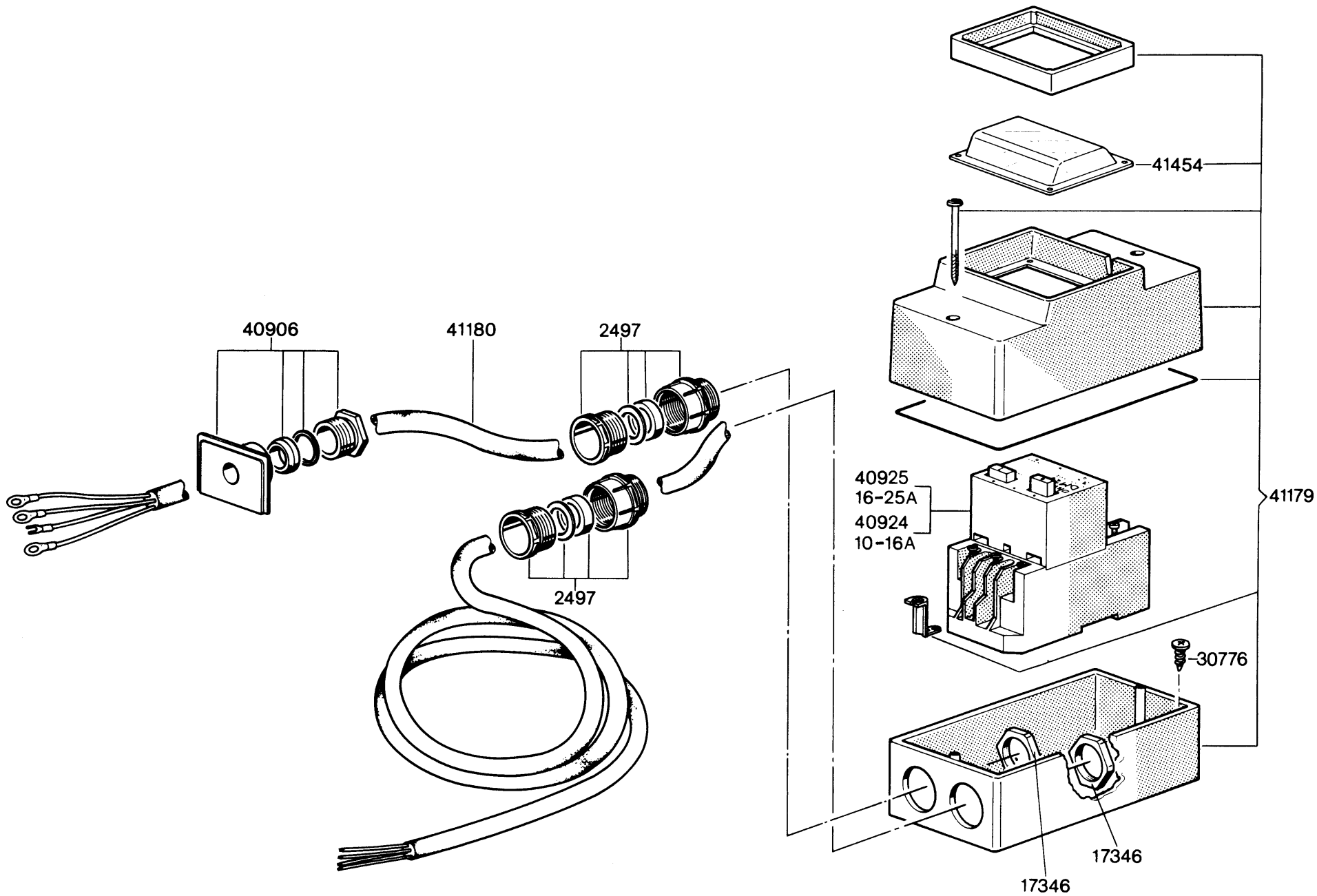
\* 40984

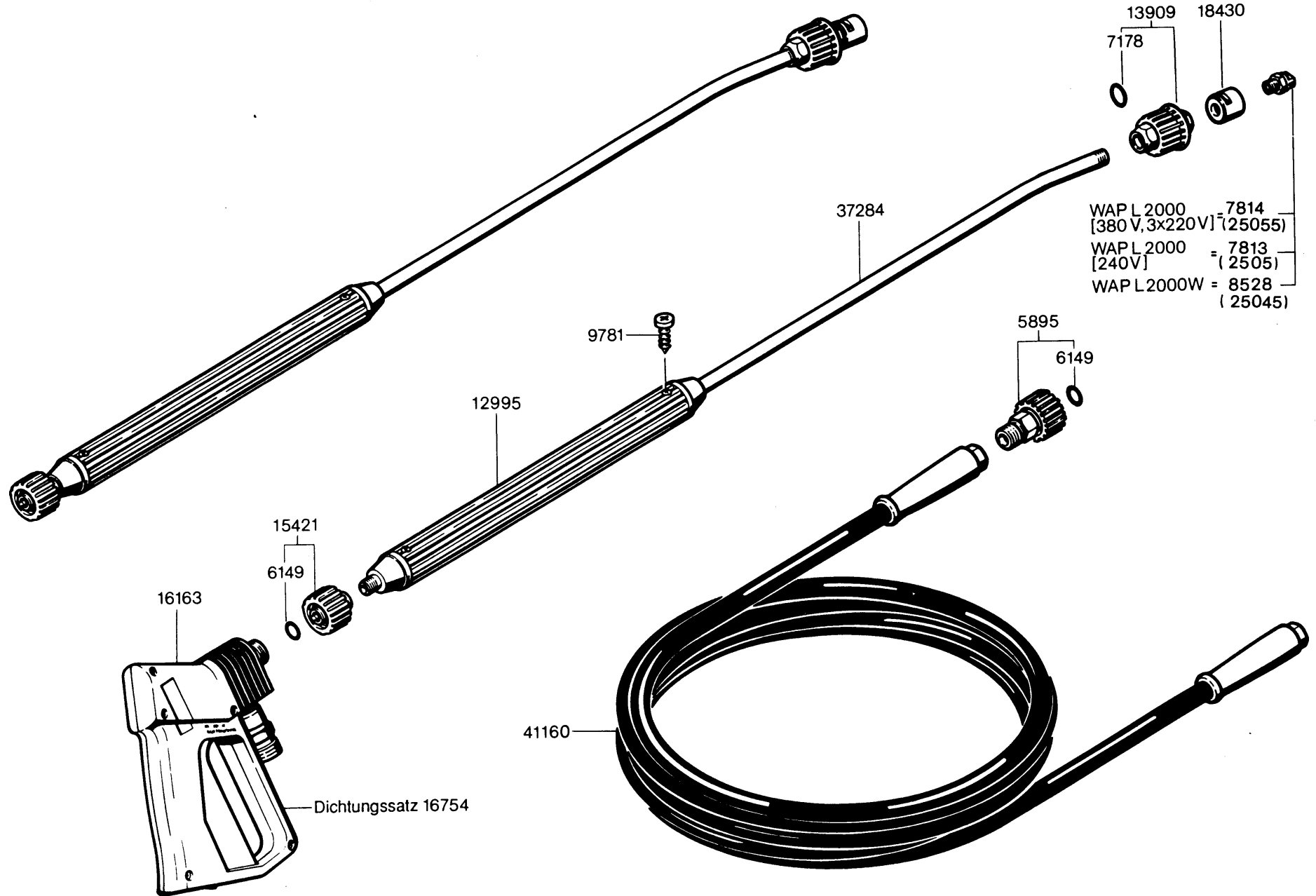
Reparatieset voor regelveiligheidsunit  
bestaande uit:

\* 40984



Spezialfett  
Graisse spéciale  
Special Grease  
Unto speciale  
Grasa especial  
Speciaal Vet  
↓ 41455-50g

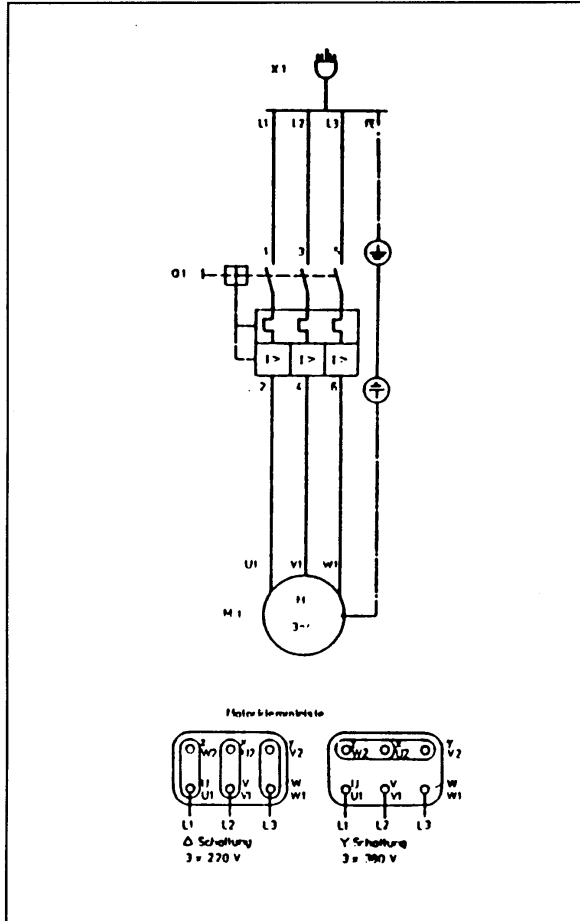




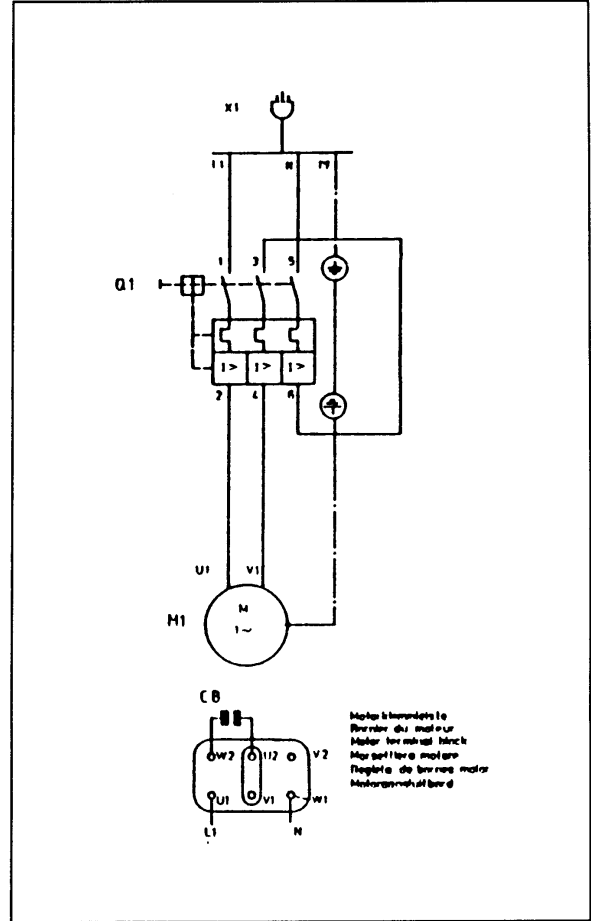
Dichtungssatz 16754

# Schaltpläne / Schémas des connexions / Circuit diagrams / Schemi elettrici / Esquemas de Conexiones / Schema's

**Wap L 2000**  
3 x 380 V/3 x 220 V



**Wap L 2000 W**  
1 x 220 V/1 x 240 V



## Geräteliste

- M1 Motor HD-Pumpe
- Q1 Motorschutzschalter
- X1 Stecker
- CB Kondensator

## Equipment list

- M1 Motor for HP pump
- Q1 Motor protection switch
- X1 Electric plug
- CB Capacitor

## Lista de equipos

- M1 Motor de la bomba de alta presion
- Q1 Guardamotor
- X1 Clavija
- CB Kondensador

## Liste des appareils

- M1 Moteur pompe haute pression
- Q1 Disjoncteur-protecteur
- X1 Fiche
- CB Condensateur

## Lista di apparecchi

- M1 Motore pompa ad alta pressione
- Q1 Salvamotore
- X1 Spina
- CB Condensatore

## Lijst van de apparatuur

- M1 Motor voor plunjerpomp
- Q1 Motorbeveiligingschakelaar
- X1 Machinestekker
- CB Kondensator