

DX 800, 810, 820, 830, Titan

Model:
DX 800/810



Part List US-English

22-02-2015

Table of Contents

DX 800, 810, 820, 830, Titan

Cabinet	3
Frame, fuel tank, detergent	5
Water break tank	7
Pump casing	9
Pump cover, distributor housing	11
Motor	13
Safety valve	15
Regulation	17
Electric box 1	19
Electric box 2	21
Fan	23
Fuel pump	25
Burner exchanger	27
Burner exchanger assy.	29

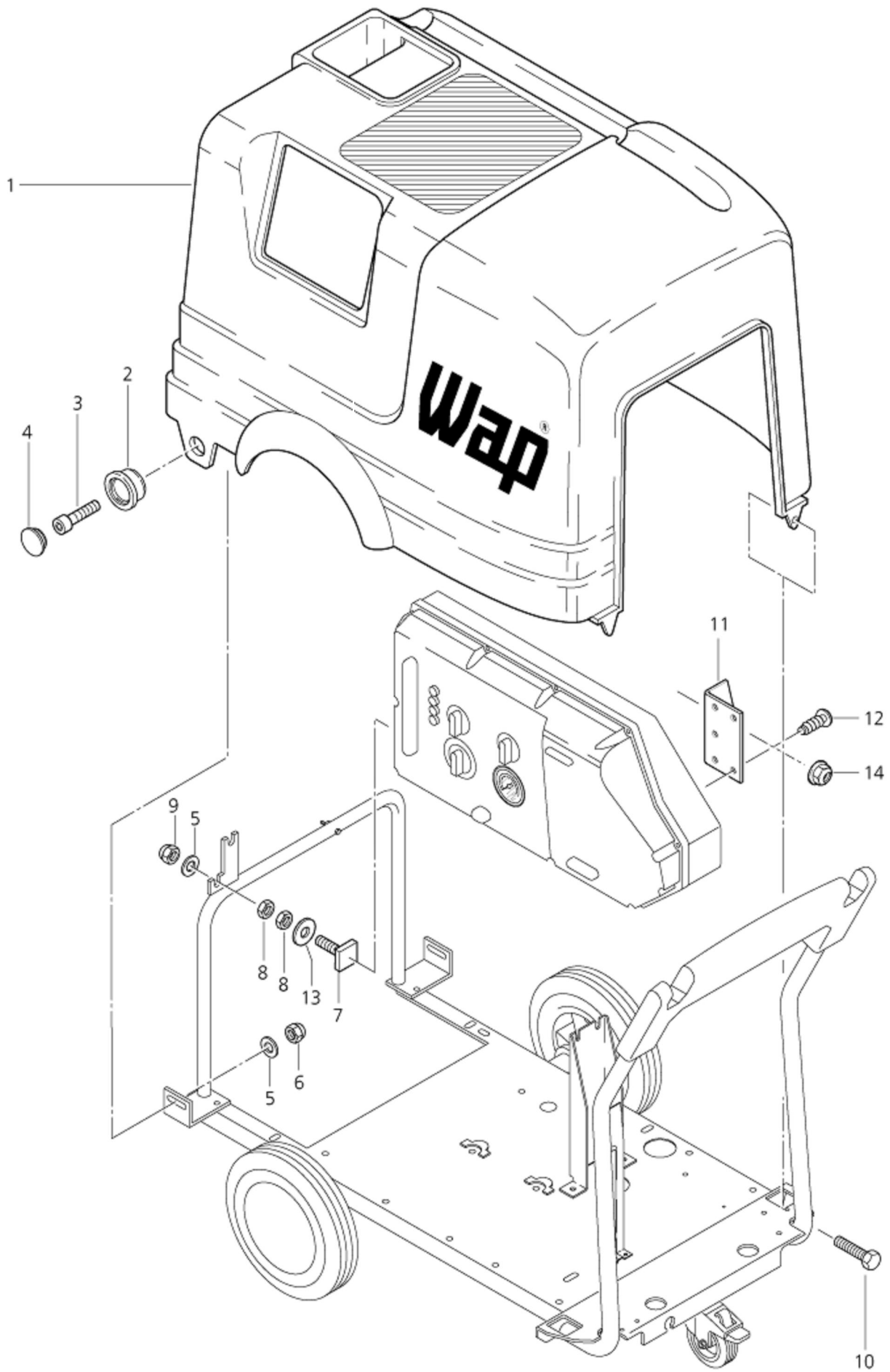
Cabinet

DX 800, 810, 820, 830, Titan

22-02-2015

Part List ID
DX80002

3



Cabinet

DX 800, 810, 820, 830, Titan

22-02-2015

Part List ID
DX800Z

4

Pos	Part no.	Qty	Description
1	61449	1	SHROUD STIHL
1	66101	1	CABINET FOR DX
2	43951	1	BUSHING
3	8894	1	SCREW DIN 912 M8 X20 8.8 FZB
4	43952	1	PLUG
5	2762	1	WASHER 8.4X1.6
6	1800515	1	Lock Nut M8 - 8 A2K DIN 985
7	46347	1	SCREW M8X1X30 ZN
8	16135	1	NUT
9	15808	1	HEXAGON NUT
10	3345	1	HEX SCREW M8X70 ISO 4017 ZN
11	44554	1	ANGLE BL.2.0 50X53X91 ST
12	10028	1	SCREW KA50X14 WN1411
13	2793	1	WASHER 8.4X2
14	61467	1	HEXAGON NUT M8
15	46928	1	LABEL BLACK
16	14721	1	LABEL WHITE
17	46934	1	LABEL SERVICE INSTRUCTION

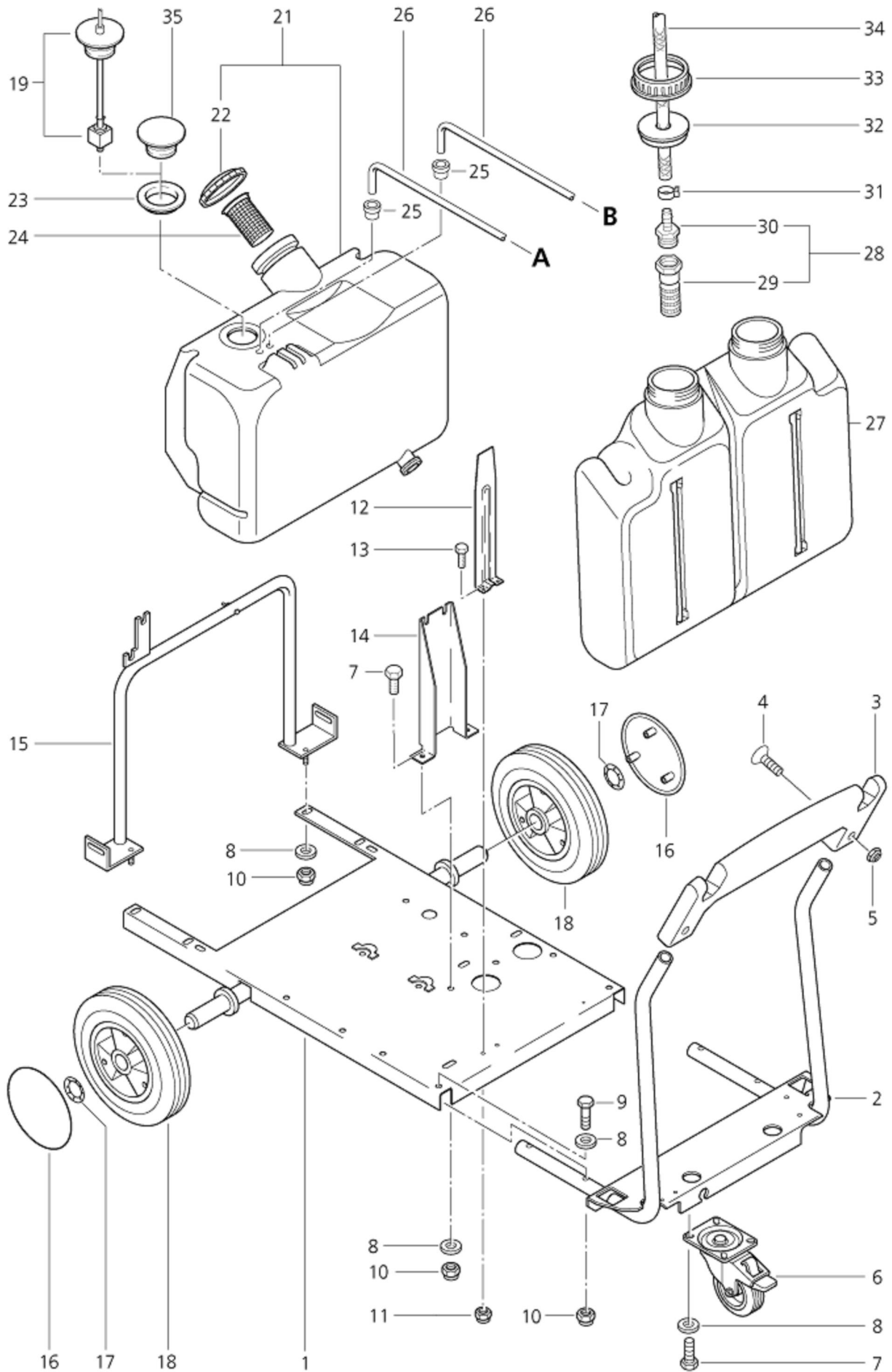
Frame, fuel tank, detergent

DX 800, 810, 820, 830, Titan

22-02-2015

Part List ID
DX80004

5



Frame, fuel tank, detergent

DX 800, 810, 820, 830, Titan

22-02-2015

Part List ID
DX80004

6

Pos	Part no.	Qty	Description
1	54996	1	FRAME
2	60528	1	BOW
3	43625	1	HANDLE
4	17737	1	SCREW M6X40 ISO 7046
5	12496	1	HEXAGON NUT M6
6	46361	1	CASTER D100X30 BRAKE
7	6557	1	SCREW M8X16
8	2762	1	WASHER 8.4X1.6
9	3213	1	SCREW M8X40
10	1800515	1	Lock Nut M8 - 8 A2K DIN 985
11	11619	1	Lock Nut M6 - 8 A2K DIN985
12	61128	1	SPIGOT
13	2754	1	HEX. SCREW M6X16 ISO 4017 ST 8.8/ZN
14	60556	1	HOUSING
15	61127	1	RETAINING STIRRUP
16	44660	1	CAP
17	46363	1	CLAMPING RING D25
18	46362	1	WHEEL D250X50
19	60710	1	FLOAT SWITCH * SEE NOTE
21	60711	1	FUEL TANK
22	17260	1	FUEL COVER
23	47749	1	GASKET D63X13XD43 NBR
24	7087	1	STRAINER
25	15789	1	RUBBER BUSHING
26	17710	1	TUBE DN6X1 PA DIN 73378 ** SEE NOTE
27	45922	1	CONTAINER 2X11L WITH DISP
28	17508	1	STAINER VALVE Ø6 CPL KU
29	3205	1	STRAINER VALVE 3/8
30	5283	1	HOSE NOZZLE 6R3/8
31	11654	1	HOSE CLAMP Ø11.5
32	15446	1	CAP
33	15445	1	CAP RING
34	101406100	1	HOSE DN 6X3 5M ** SEE NOTE
35	54664	1	COVER

* NOTE: DX 800 S-2, DX 820-2., DX 830 S-2, DX 930-2

** NOTE: PLEASE INDICATE LENGTHS IN METRES WHEN ORDERING

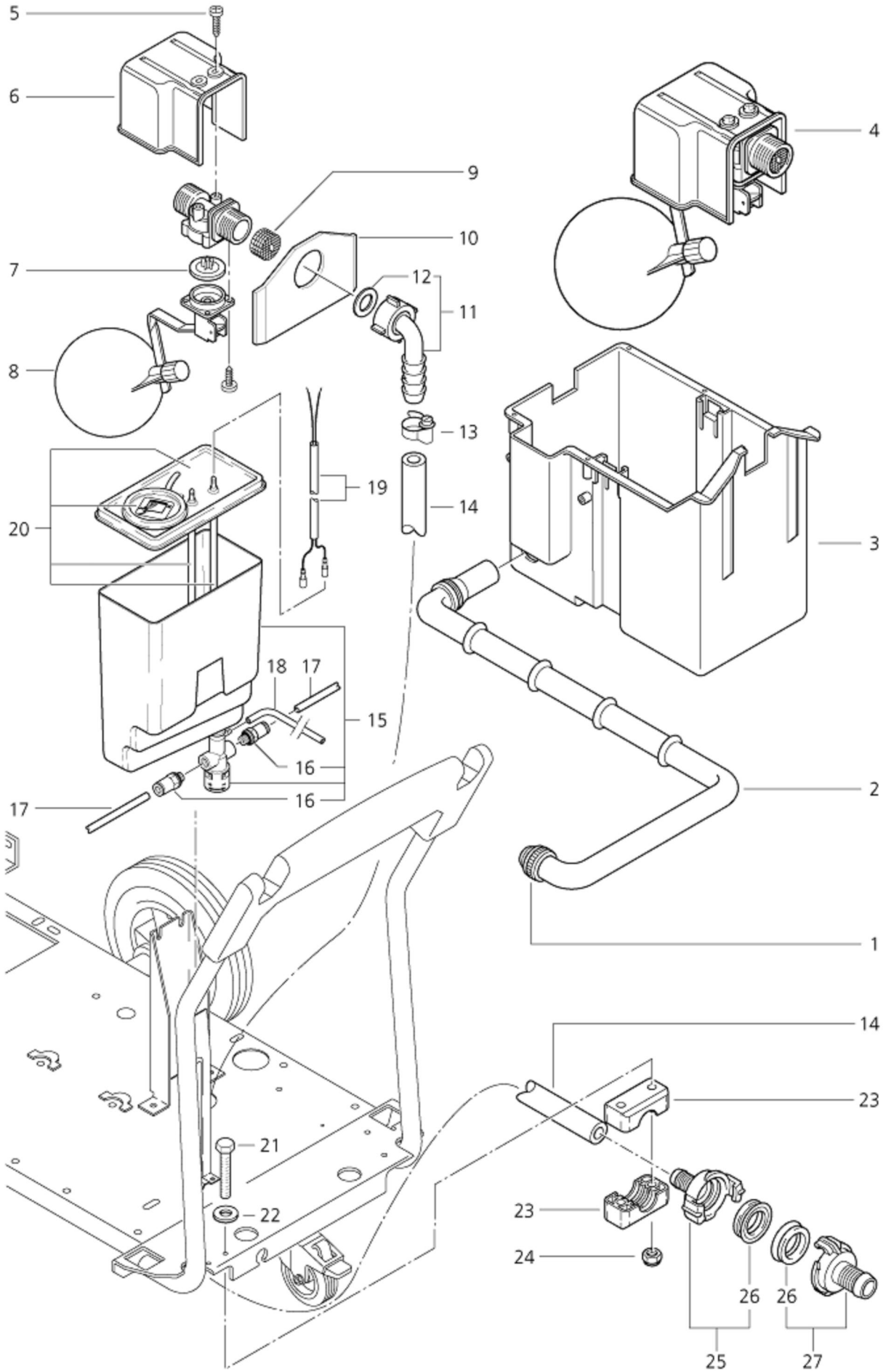
Water break tank

DX 800, 810, 820, 830, Titan

22-02-2015

Part List ID
DX80006

7



Water break tank

DX 800, 810, 820, 830, Titan

22-02-2015

Part List ID
DX80006

8

Pos	Part no.	Qty	Description
1	6578	1	UNION NUT G1X14.5
2	49927	1	HOSE Ø14/Ø20 NR/SBR
3	44236	1	WATER BREAK TANK
4	6425	1	FLOAT VALVE 3/4-10 PP
5	16860	1	SCREW 4X12
6	34240	1	COVER
7	17379	1	MEMBRANE A20
8	11418	1	FLOAT BALL
9	11361	1	DIRT FILTER
10	54700	1	PLATE 1.0X96X63 VA
11	5613	1	HOSE NOZZLE Ø16 90 DEGREE 3/4 INCH KU
12	15587	1	PACKING RING 14X24X2 RUBBER
13	3211	1	CLAMP FITTING
14	8050	1	HOSE Ø 13 PER METRE * SEE NOTE
15	60131	1	CONTAINER
16	29599	1	UNION PIECE Ø6 G1/8 INCH R12 NBR/CuZn-ni
17	17710	1	TUBE DN6X1 PA DIN 73378 * SEE NOTE
18	20869	1	PIPE * SEE NOTE
19	29109	1	CABLE
20	60131	1	CONTAINER
21	17749	1	HEXAGON HEAD CAP SCREW
22	2764	1	WASHER 6.4X1.6
23	60532	1	HOLDER - HALF. Ø 20
24	11619	1	Lock Nut M6 - 8 A2K DIN985
25	1716	1	GEKA HOSE COUPLING 1/2
26	6502	1	MOULDED GASKET GEKA COUPE
27	1311	1	GEKA COUPLING HOSE END 3/4

* NOTE: PLEASE INDICATE LENGTHS IN METRES WHEN ORDERING

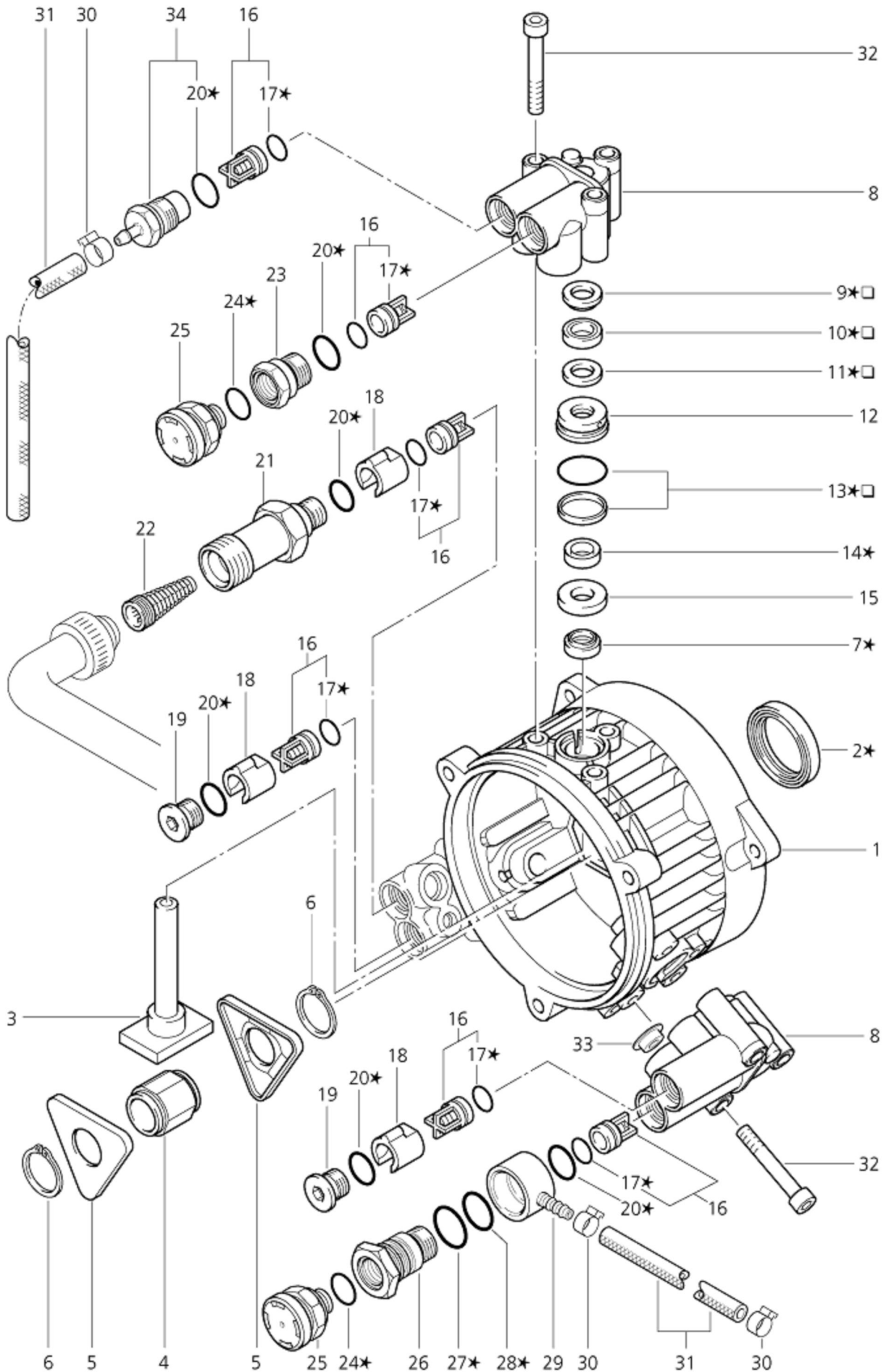
Pump casing

DX 800, 810, 820, 830, Titan

22-02-2015

Part List ID
DX80008

9



Pump casing

DX 800, 810, 820, 830, Titan

22-02-2015

Part List ID
DX80008

10

Pos	Part no.	Qty	Description	
1	56261	1	PUMP HOUSING	
2	56277	1	SHAFT SEAL RING A 42X55	*
3	56280	1	PISTON	
4	56275	1	SUPPORT RING	
5	56265	1	RING	
6	56279	1	SAFETY RING D28X1.5	
7	56278	1	PACKING	*
8	56298	1	VALVE BLOCK	
9	16844	1	SUPPORT RING	*#
10	16845	1	COLLAR Ø14XØ24X5 SFR	*#
11	16846	1	BACK RING PTFE BRONZE	*#
12	56300	1	LEAKAGE WATER RING	
13	57131	1	GASKET SET FOR LEAKAGE WA	*#
14	56302	1	PACKING RING D14/22X3/6	*
15	56284	1	PAD	
16	56305	6	VALVE PREMOUNTED 1 PC	
17	56310	1	O-RING 15.0X1.5 NBR90	*
18	56311	1	SPACER RING	
19	56327	1	PLUG	
20	56947	1	O-RING 18.0X2.5 DIN 3770 NBR90	*
21	57565	1	INTAKE FITTING G1INC M20X1	
22	16156	1	SUCTION STRAINER	
23	57566	1	CONNECTOR	
24	16443	1	O-RING 17.0x2.0 DIN 3770 NBR70	*
25	57618	1	BUFFER	
26	57493	1	BANJO BOLT	
27	49895	1	O-RING 21.0 X3.0 SMS	*
28	49893	1	O-RING 19.0 X3.0 SMS	*
29	57494	1	RING NIPPLE	
30	11654	1	HOSE CLAMP Ø11.5	
31	101406100	1	HOSE DN 6X3 5M	* SEE NOTE
32	6013	1	CYLINDER SCREW M8X60 ISO 4762 ST 8.8/ZN	
33	57567	1	DECORATIVE COVER D4.2/D20	DX 800-2, DX 800-2 EURO, DX 800 S-2,, DX 810-2, DX
33	57902	1	DECORATIVE COVER D5.2MM	DX 830-2, DX 830 S-2, DX 930-2
34	58640	1	BREATHER PLUG ASSEMBLY	
98	57151	1	GASKET SET FOR 3 PISTONS	INCLUDES PARTS MARKT #
99	57946	1	GASKET SET FOR PUMP DX SE	INCLUDES PART MARKT *

* NOTE: PLEASE INDICATE LENGTHS IN METRES WHEN ORDERING

Pump cover, distributor housing

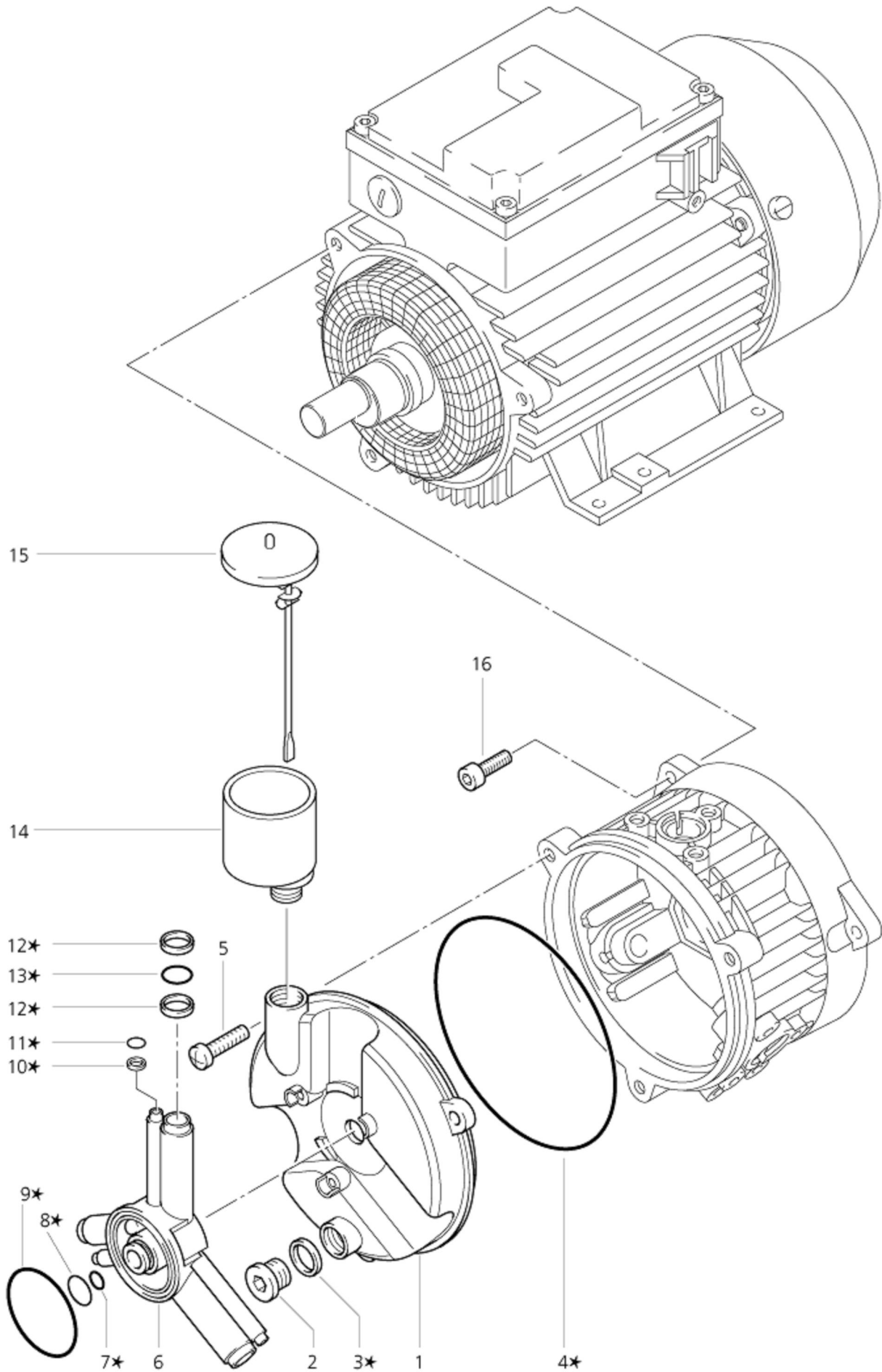
DX 800, 810, 820, 830, Titan

22-02-2015

Part List ID

DX80010

11



Pump cover, distributor housing

DX 800, 810, 820, 830, Titan

22-02-2015

Part List ID
DX80010

12

Pos	Part no.	Qty	Description	
1	56285	1	PUMP COVER	
2	6868	1	CLOSURE SCREW G3/8 DIN 908 ZN	
3	1407	1	PACKING RING Ø17X23 DIN7603 C CU	*
4	56287	1	O-RING 136.0X2.5 DIN 3770 NBR70	*
5	13923	1	SPEDFORM PH-SCREW.M6X20	
6	56272	1	DISTRIBUTOR SQUARE WAP 8000	
7	56849	1	O-RING 9.0X2.0 DIN 3770 NBR90	*
8	6898	1	O-RING 10.5X1.5 NBR70	*
9	56297	1	O-RING 53X3 SMS 1586 NBR70	*
10	56294	1	SUPPORTING RING	*
11	56965	1	O-RING 8.0X1.5 NBR90	*
12	56296	1	SUPPORTIMNG RING 18X21X1.4 PTFE	*
13	16443	1	O-RING 17.0x2.0 DIN 3770 NBR70	*
14	57552	1	OIL FEEDING HOPPER	
15	57568	1	OIL PLUG	
16	3928	1	SCREW M8X30	
99	57946	1	GASKET SET FOR PUMP DX SE	INCLUDES PART MARKT *

Motor

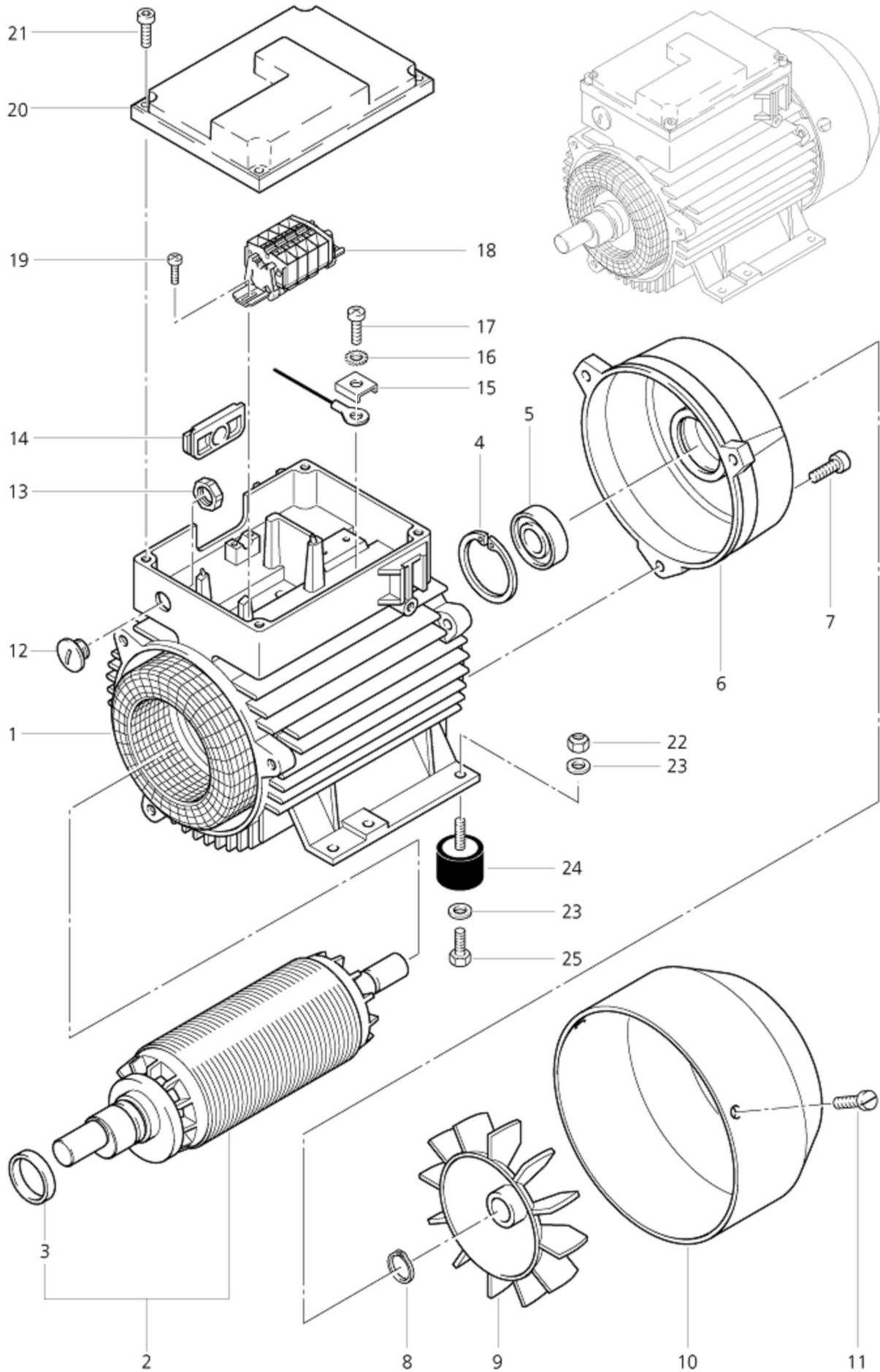
DX 800, 810, 820, 830, Titan

22-02-2015

Part List ID

DX80012

13



Motor

DX 800, 810, 820, 830, Titan

22-02-2015

Part List ID
DX80012

14

Pos	Part no.	Qty	Description	
1	58292	1	STATOR 4.5KW 230/400V 50H	400-415V/50HZ,4,5KW DX 810-2, 400V/50HZ,4,5KW DX 8
2	57154	1	ROTOR	40V/50HZDE*AT*CH*EU*PT*, 230V/50HZ *ES*BE*, 200V/5
2	57911	1	ROTOR	400V/50HZ DX 800-2*DE*EU*CH*EXP*PT*, 400V/50HZ DX
2	57915	1	ROTOR	400-415V/50HZ DX 810-2, 400V/50HZ DX 810-2 EURO
2	57916	1	ROTOR	400V/50HZ DX 930-2*DE*EU*AT*FR*ZA*, 400-415V/50HZ
3	56321	1	RING	
4	56318	1	SAFETY RING D47X2.0	
5	56317	1	BALL BEARING	
7	9570	1	SCREW M6X40	
8	1802057	1	CIRCLIP EXTERNAL 20X1.2 STEEL. DIN 471	
9	56319	1	IMPELLER	
10	56417	1	FAN SHROUD	
12	1532	1	SCREW PLUG PG9	
13	1458	1	NUT 6KT PG 9 46320 MS	
15	32976	1	BOW	
16	3376	1	SERRATED LOCK WASHER D5.3 A2 DIN 6798A	
17	5189	1	PAN HEAD SCREW M5X10 H ISO 7045 ZN	
19	57069	1	LENS HEAD COUNTERS. SCREW	
20	56650	1	COVER FOR ELECTRICAL SWIT	
21	4697	1	SCREW M6X16	
22	1800515	1	Lock Nut M8 - 8 A2K DIN 985	
23	2762	1	WASHER 8.4X1.6	
24	49924	1	ANTI VIBRATION DAMPER 30X20	
25	8919	1	SCREW M8X12	

Safety valve

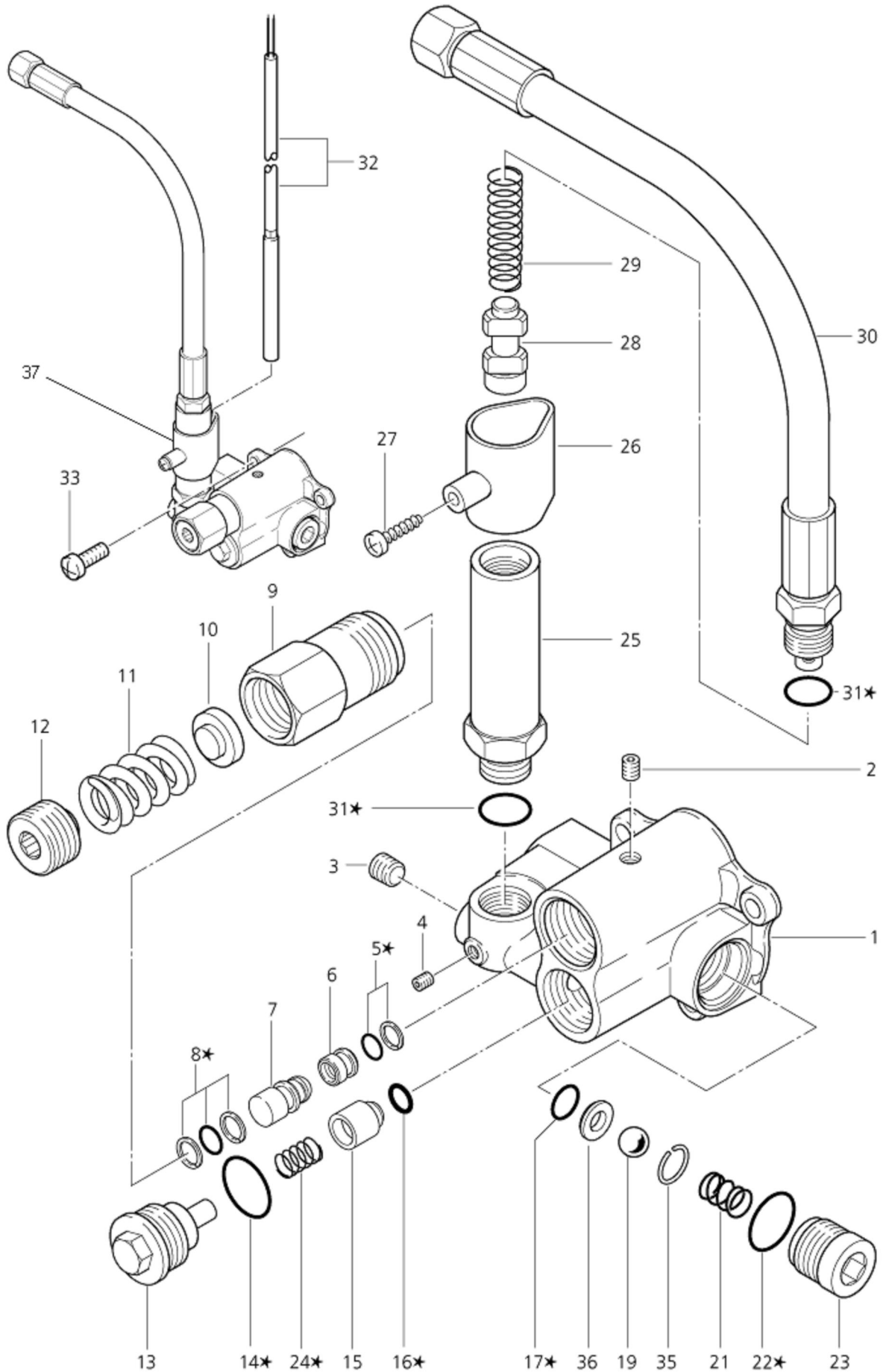
DX 800, 810, 820, 830, Titan

22-02-2015

Part List ID

DX80014

15



Safety valve

DX 800, 810, 820, 830, Titan

22-02-2015

Part List ID

DX80014

16

Pos	Part no.	Qty	Description	
1	57377	1	HOUSING CONTROL/SAFETY BL	
2	49896	1	SET SCREW DIN 913 M6X 8	
3	6261	1	LOCKING SCREW R1/8 INCH DIN 906 ZN	
4	56532	1	SET SCREW M4X5	
5	57919	1	GASKET SET FOR CONTROL AN	*
6	57575	1	SEAL SEAT ST	
7	57574	1	PISTON	
8	57920	1	GASKET SET FOR CONTROL AN	*
9	57577	1	BUSH	
10	57576	1	THRUST WASHER M	
11		1	SPRING 4.20X17.0X42.0 S	
12	57578	1	SCREW	
13	57569	1	PLUG	
14	49894	1	O-RING 20.0 X2.0 DIN	*
15	57731	1	FLOATING PISTON	
16	56519	1	O-RING 6.5x3.0 SMS 1586 NBR90	*
17	49461	1	O-RING 11.0x1.5 NBR90	*
19	9854	1	BALL Ø10 DIN 5401-2	
21	9855	1	SPRING 1.3 X9/10X16.5 V	
22	12841	1	O-RING 18.0X2.0 DIN 3770 NBR70 10 PCS	*
23	56516	1	SPRING PLUG	
24	9859	1	SPRING 0.8 X10.9X9.8 V	*
25	57570	1	HOUSING FOR FLOW MONITOR	
26	57550	1	BRACKET FOR CONTROL AND S	
27	10028	1	SCREW KA50X14 WN1411	
28	57571	1	COMPLETE CONTACT PISTON	
29	6231	1	SPRING 0.5X11X44 VA	
30	57556	1	HP HOSE DN 8X400 G3/4	
31	1381	1	O-RING 14.0x2.0 DIN 3770 NBR70	*
32	19961	1	REED CONTACT HR0129	
33	49249	1	SCREW	
35	9853	1	SAFETY RING D14X1 DIN 472	
36	58493	1	SEAL SEAT Ø13.95/11.20XØ	
37	57586	1	COMPLETE REG BLOCK DX 800	Compte with hose and switch
99	57947	1	GASKET SET FOR CONTROL AN	INCLUDES PART MARKT *

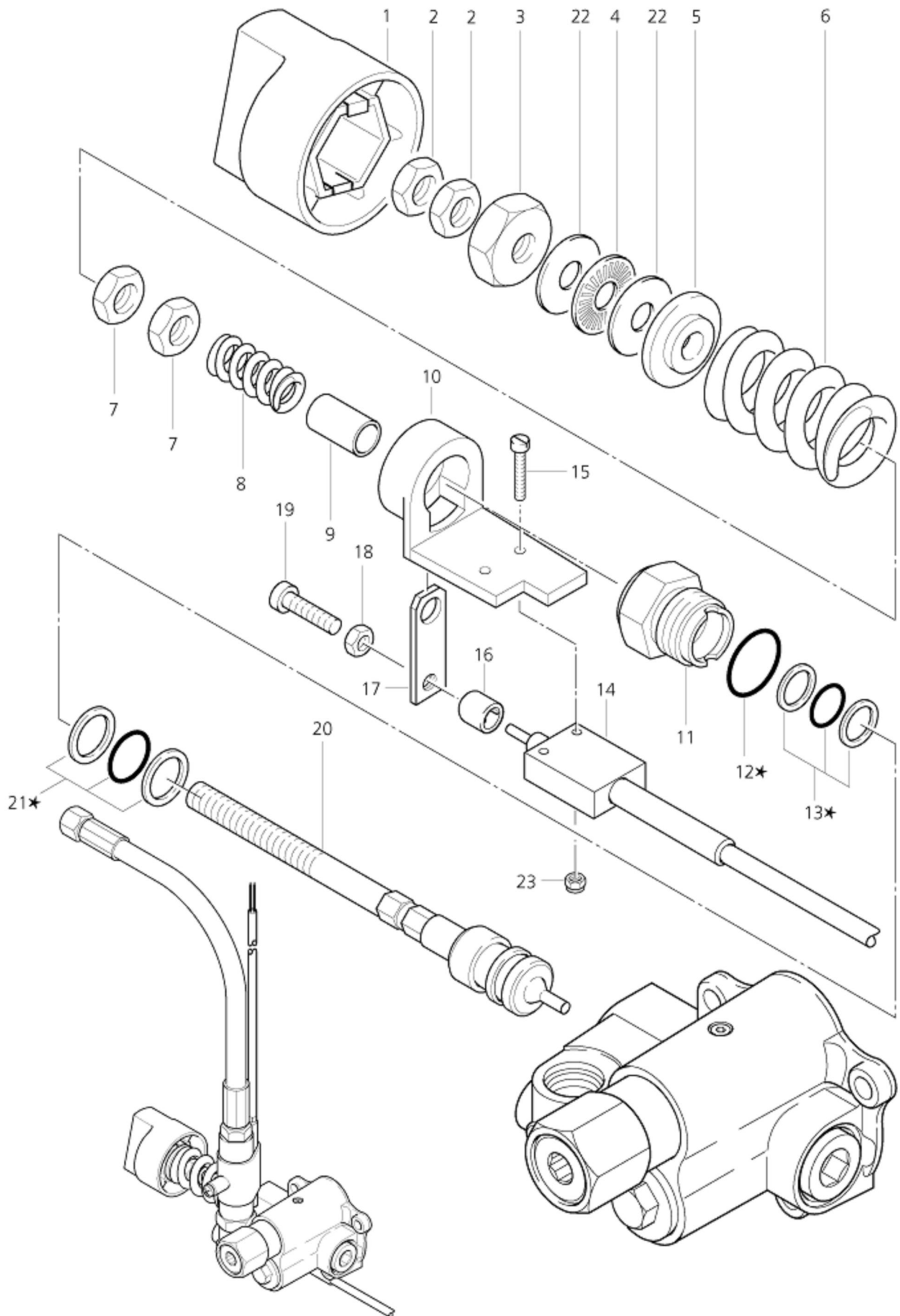
Regulation

DX 800, 810, 820, 830, Titan

22-02-2015

Part List ID DX80016

17



Regulation

DX 800, 810, 820, 830, Titan

22-02-2015

Part List ID
DX80016

18

Pos	Part no.	Qty	Description	
1	56615	1	TWIST HANDLE FOR SAFETY A	
2	16594	1	NUT 6KT- M8X1 X4 ZN	
3	56513	1	NUT 6KT- M8X1	
4	16111	1	AXIAL NEEDLE BEARING RACE	
5	56785	1	SPRING PRESSURE PAD	
6	56512	1	SPRING 23X45.2X5.8	
7	16594	1	NUT 6KT- M8X1 X4 ZN	
8	56716	1	SPRING 1.6X10.0X28.0	
9	56960	1	SLEEVE D11 X 16	
10	56552	1	PRESSURE SWITCH MOUNTING	
11	56508	1	COVER 2.0401.30	
12	12841	1	O-RING 18.0X2.0 DIN 3770 NBR70 10 PCS	*
13	57145	1	GASKET SET FOR CONTROL PI	*
14	9900	1	SWITCH	
15	26611	1	SCREW	
16	13608	1	STOP CAP 11.5 PE	
17	56662	1	STOP PLATE ST	
18	2760	1	NUT M5 ISO 4032 ZN	
19	18087	1	SCREW M5X16	
20	56502	1	PISTON	
21	57152	1	GASKET SET FOR CONTROL PI	*
22	25428	1	AXIAL WASHER AS 0821	
23	26612	1	HEXAGON NUT M3 ISO 7042	
99	57947	1	GASKET SET FOR CONTROL AN	INCLUDES PART MARKT *

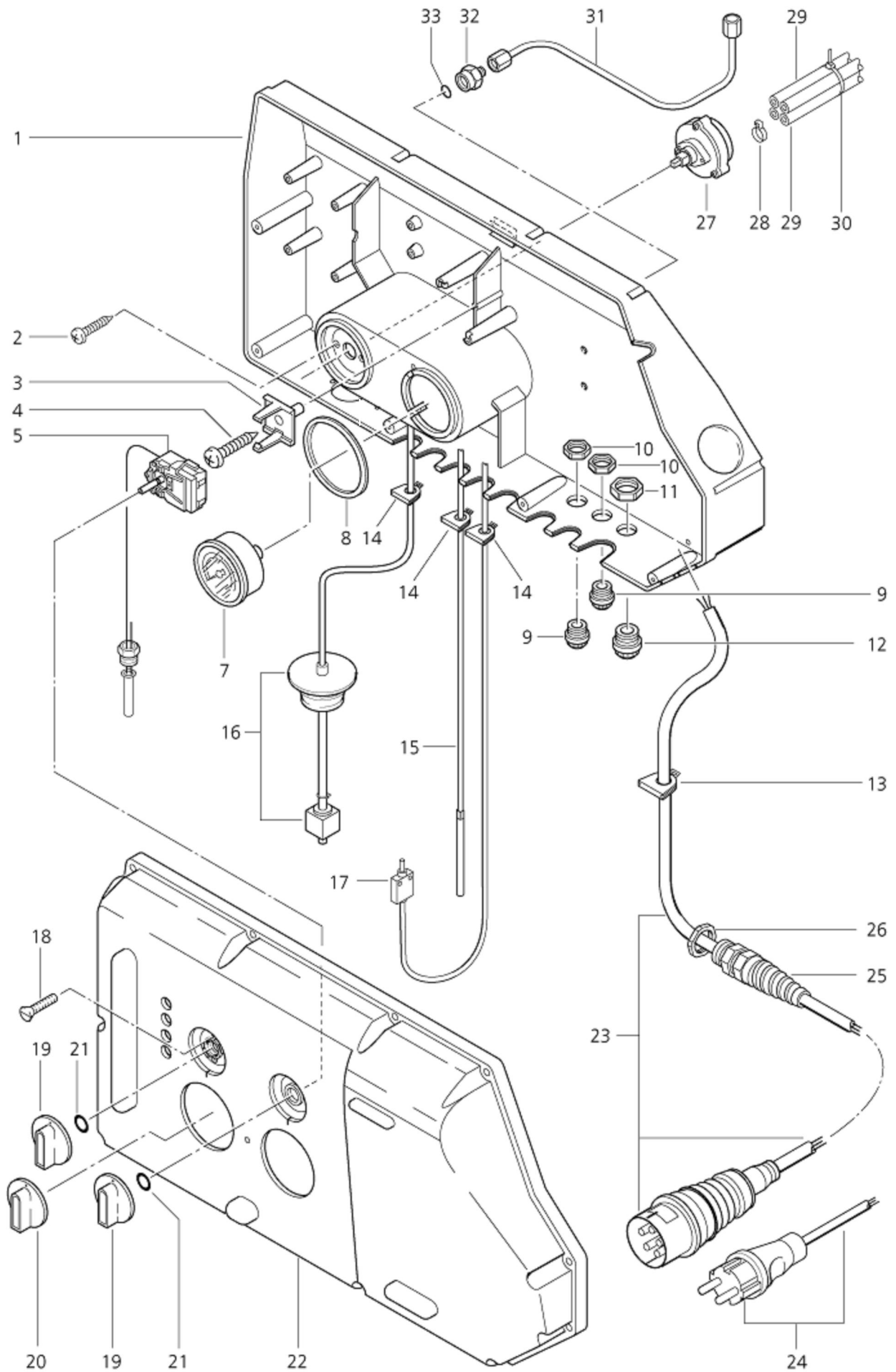
Electric box 1

DX 800, 810, 820, 830, Titan

22-02-2015

Part List ID DX80018

19



Electric box 1

DX 800, 810, 820, 830, Titan

22-02-2015

Part List ID
DX80018

20

Pos	Part no.	Qty	Description	
1	47671	1	CONTROL PANEL	
2	18086	1	SCREW 2.9X13	
3	43622	1	BRACKET	
4	40108	1	TREAD-CUTTING SCREW 4.8X32 F-H ISO 7049	
5	6698	1	THERMOSTAT 30-150 DEGREE C	
7	47135	1	PRESSURE GAUGE 0-250 BAR	
8	46733	1	PACKING RING 80X71.5X2	
9	1462	1	Vers-Schraube PG 11 N EN 50262 Ku	
10	1953	1	NUT 6KT PG 11 46320 PVC	
11	17345	1	NUT 6KT PG 13.5 46320 PVC	
12	1463	1	GROMMET PG 13.5 OPEN	
13	48312	1	CABLE BUSHING	
14	48314	1	CABLE BUSHING	
15	19961	1	REED CONTACT HR0129	
16	60710	1	FLOAT SWITCH	DX 800 S-2, DX 820-2, DX 830 S-2, DX 930-2
17	9900	1	SWITCH	
18	18274	1	COUNTERSUNK SCREW M4X12	
19	243611	1	TURNING KNOB	
20	243605	1	ROTARY KNOB SQUARE YELLOW	
21	9868	1	O-RING 10.2X2.5 NBR 70	
22	47672	1	COVER DX810 FOR CONTROL C	DX 810-2
22	47673	1	COVER DX800 FOR CONTROL	DX 800-2
22	47675	1	COVER DX830 FOR CONTROL	DX 830-2
22	47676	1	COVER DX930 FOR CONTROL	DX 930-2
23	27072	1	POWER CABLE 4G1.5X 5.0 F	DX 800 S-2*FR*, DX 810-2 EU*FR*, DX 830 S-2*FR*, D
23	29007	1	POWER CABLE	DX 800-2*PT*, DX 800 S-2*ZA*EXP*, DX 810-2*EXP*, D
23	29052	1	CABLE HORN-F 4G2.5X6.5M	DX 800-2*TW*PH*KR*JP*, DX 800 S-2*ES*, DX 830-2*ES
23	61236	1	POWER CABLE 4G1.5X 5.0	DX 800-2*EU*, DX 800-2 EURO*DE*, DX 800-2*DE*, DX
24	14503	1	POWER CABLE	DX 820-2*ZA*
24	61188	1	POWER CABLE 3G1.5X 5.0	DX 820-2*DE*KR*
25	11567	1	CABLE SCREWING W. ANTIBUC.	
25	17350	1	Kabelversch. PG16 zuge.	DX 830-2*JP*, DX 930-2*JP*
26	1762	1	NUT 6KT PG 16 46320 MS	
27	4819	1	METERING VALVE ASSEMBLY	6166 GASKET KIT FOR DOSING VALVE
28	11654	1	HOSE CLAMP Ø11.5	
29	101406100	1	HOSE DN 6X3 5M	
30	8819	1	CABLE STRAP 4.5X1X350	
31	46309	1	TUBE	
32	1438	1	SCREW MAV 6LR-OMD ZN	
33	5897	1	PACKING RING 5.4X9.3X3.	

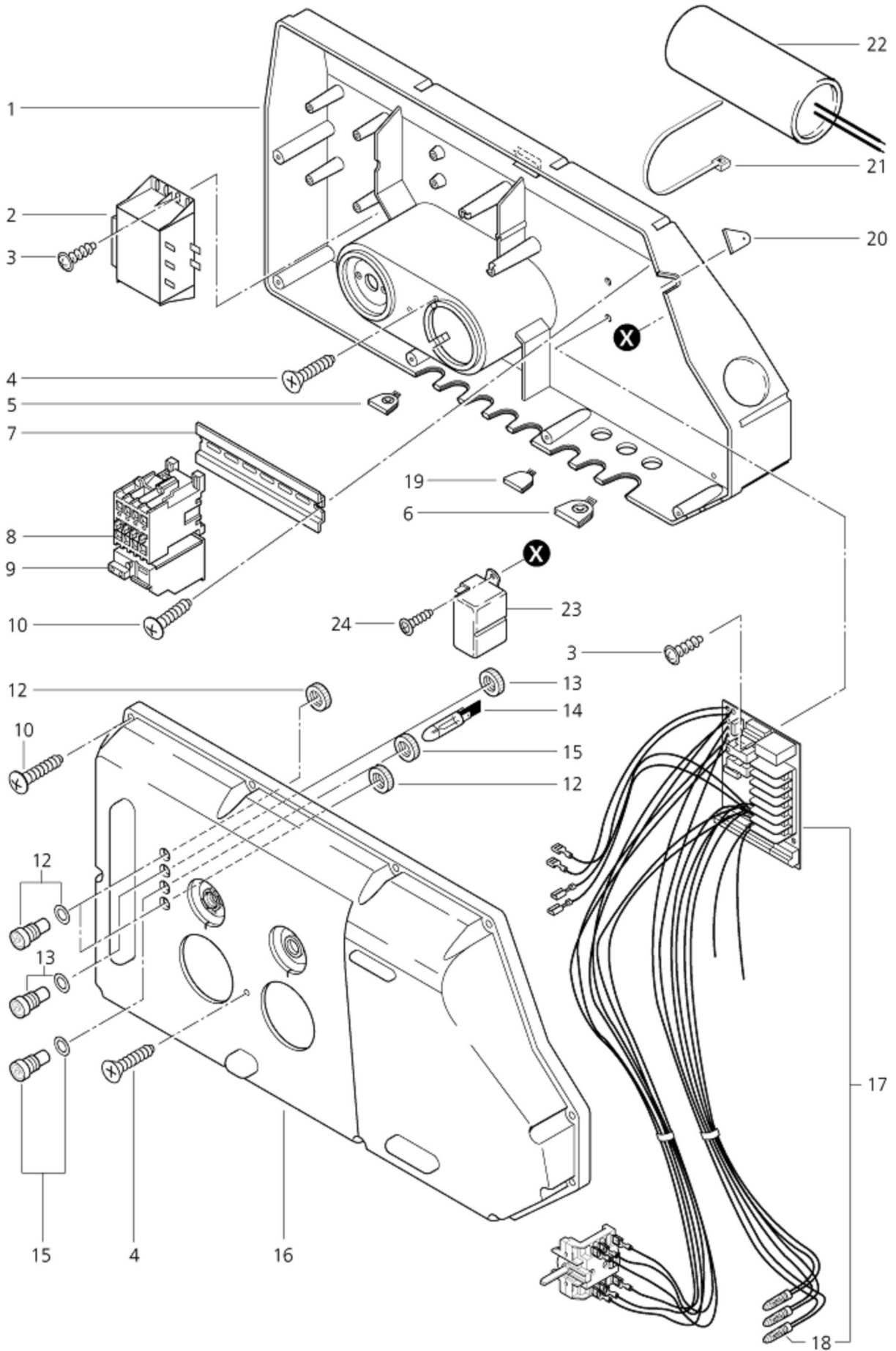
Electric box 2

DX 800, 810, 820, 830, Titan

22-02-2015

Part List ID
DX80020

21



Electric box 2

DX 800, 810, 820, 830, Titan

22-02-2015

Part List ID
DX80020

22

Pos	Part no.	Qty	Description	
1	47671	1	CONTROL PANEL	
2	60579	1	TRANSFORMER FOR 110V SERI	100/120/200V -24VAC 50VA
2	60580	1	TRANSFORMER	230/400V -24VAC 48VA
3	11254	1	SCREW 3.5X10 WN1411	
4	11253	1	SCREW 5X20 WN1413	
5	48314	1	CABLE BUSHING	
6	48312	1	CABLE BUSHING	
7	22290	1	MOU. RAIL TS35/F6 7.5 18X5.2 EN60715 ZN	
8	103822301	1	CONTACTOR CJX2-D12 12A 24V 3P+NO	CA3-12-10 24V/50-60HZ
8	103822317	1	CONTACTOR CJX2-D32 32A 24V 3P+NO	CA3-30-10 24V/50-60HZ
9	103822323	1	THERMAL RELAY 4-6AMP	
9	103822324	1	THERMAL RELAY 5.5-8AMP	
9	103822325	1	THERMAL RELAY 7-10AMP	
9	103822326	1	OVERC.RELAY JR28-25-1316.9-13A	
9	103822328	1	THERMAL RELAY 17-25AMP	
9	103822329	1	THERMAL RELAY 23-32AMP	
10	11565	1	SCREW 5X18 WN1411	
12	46795	1	SOCKET M12X1 - ORANGE	
13	46793	1	SOCKET GREEN	
14	60980	1	INDICATOR LAMP 28V WHI	
15	46794	1	SOCKET RED	
16	47672	1	COVER DX810 FOR CONTROL C	DX 810-2
16	47673	1	COVER DX800 FOR CONTROL	DX 800-2
16	47675	1	COVER DX830 FOR CONTROL	DX 830-2
16	47676	1	COVER DX930 FOR CONTROL	DX 930-2
17	60288	1	PCB 24 VOLT	
18	46792	1	SIGNAL LAMP 12V	
19	48315	1	CABLE BUSHING	
20	46781	1	GASKET 23.3X4.5 GUM	
21	8819	1	CABLE STRAP 4.5X1X350	
22	49833	1	CAPACITOR 70MF 600V	DX 820-2
22	56809	1	CAPACITOR 50MF 450V	DX 820-2
23	11060	1	STARTER RELAY 220V AC	DX 820-2
24	10028	1	SCREW KA50X14 WN1411	DX 820-2

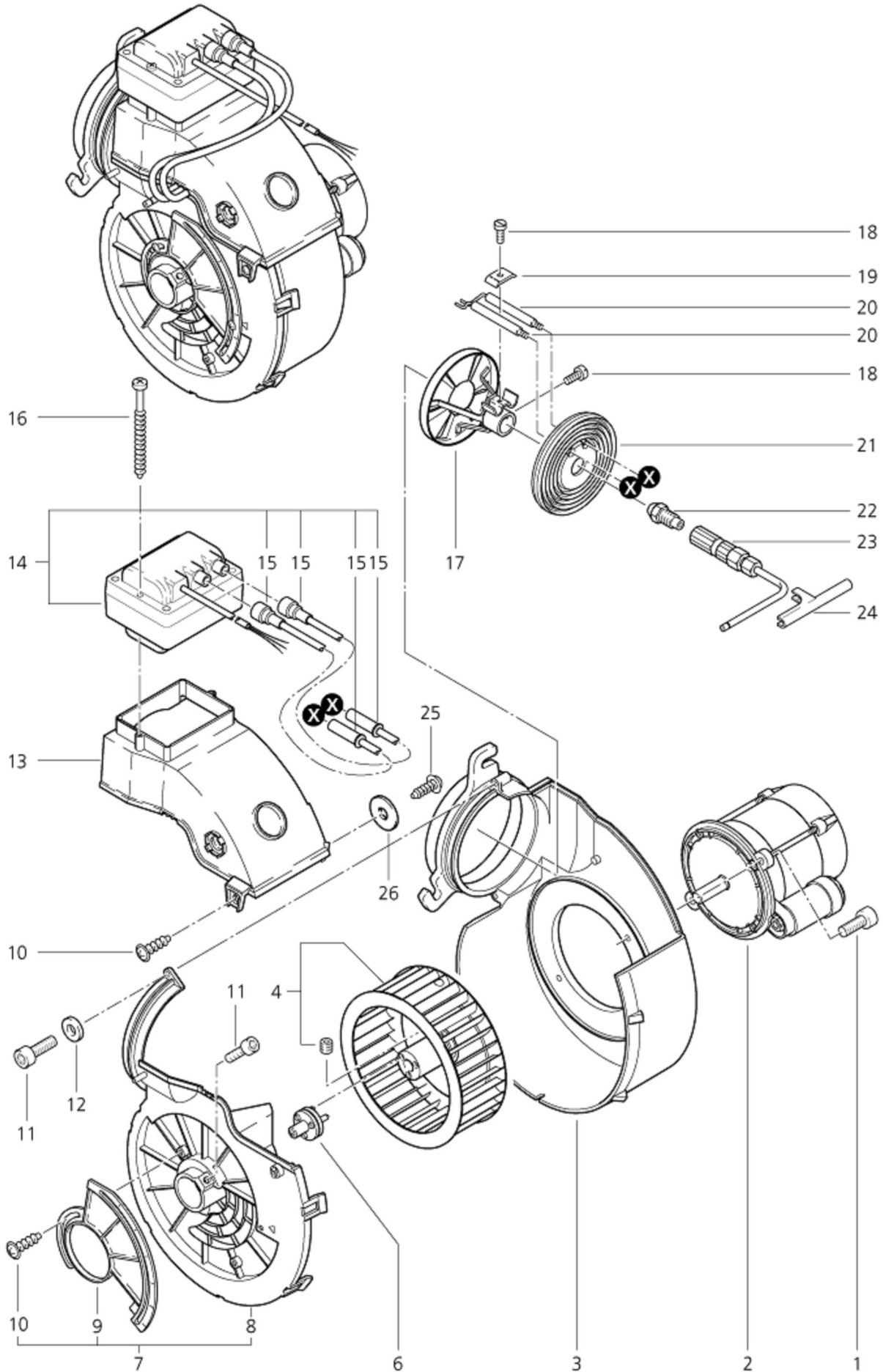
Fan

DX 800, 810, 820, 830, Titan

22-02-2015

Part List ID
DX80022

23



Fan

DX 800, 810, 820, 830, Titan

22-02-2015

Part List ID
DX800ZZ

24

Pos	Part no.	Qty	Description
1	4697	1	SCREW M6X16
2	60792	1	BURNER MOTOR
3	60290	1	FAN HOUSING
4	60793	1	BLOWER WHEEL
6	62050	1	COUPLING PA
7	60552	1	COVER
8	60552	1	COVER
9	60552	1	COVER
10	10028	1	SCREW KA50X14 WN1411
11	32535	1	SCREW M5X16
12	2763	1	WASHER 5.3X1
13	60294	1	COVER
14	61446	1	IGNITION TRANSFORMER 230V
15	61447	1	IGNITION CABLE FG4 12kw CU/NBR
16	17721	1	SCREW EYOT- KA35X53 WN
17	60591	1	BURNER KIT
18	3288	1	SCREW M4X8
19	42204	1	CLAMPING PLATE
20	48940	1	IGNITION ELECTRODE Ø8X71/21 B1
21	62589	1	AIR DISK
22	61659	1	OIL NOZZLE 1.25 GAL 60 DEGREES
23	61168	1	MOUNTING
24	61880	1	BRACKET
25	33222	1	THREAD-CUTTING SCREW 4.2X9.5 C-H ISO7049
26	24353	1	WASHER 4.3X1

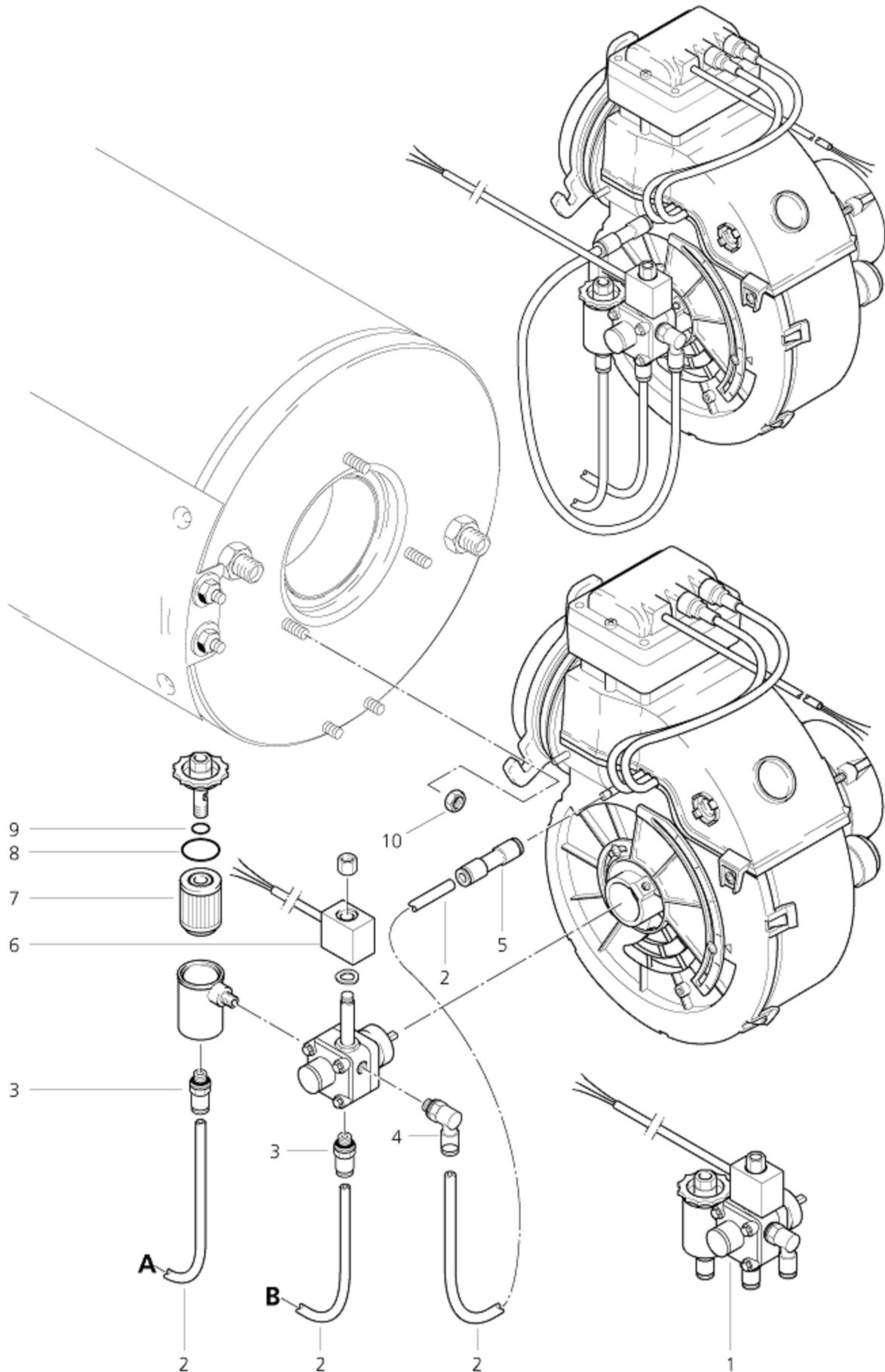
Fuel pump

DX 800, 810, 820, 830, Titan

22-02-2015

Part List ID
DX80024

25



Fuel pump

DX 800, 810, 820, 830, Titan

22-02-2015

Part List ID

DX80024

26

Pos	Part no.	Qty	Description
1	47382	1	FUEL OIL PUMP 230V
1	60756	1	OIL PUMP SP65/65M 24V/50-60HZ
2	17710	1	TUBE DN6X1 PA DIN 73378 * SEE NOTE
3	29599	1	UNION PIECE Ø6 G1/8 INCH R12 NBR/CuZn-ni
4	28428	1	CONNECTION PIECE
5	61442	1	CIRCUIT CONNECTOR
6	101117987	1	SOLENOID 24V KIT
6	49498	1	COIL 230V
7	1756	1	FILTER CARTRIDGE FOR OIL PUMP
8	40907	1	O-RING 31.47x1.78 ARP AS 568 A NBR70
9	9868	1	O-RING 10.2X2.5 NBR 70
10	61467	1	HEXAGON NUT M8

* NOTE: PLEASE INDICATE LENGTHS IN METRES WHEN ORDERING

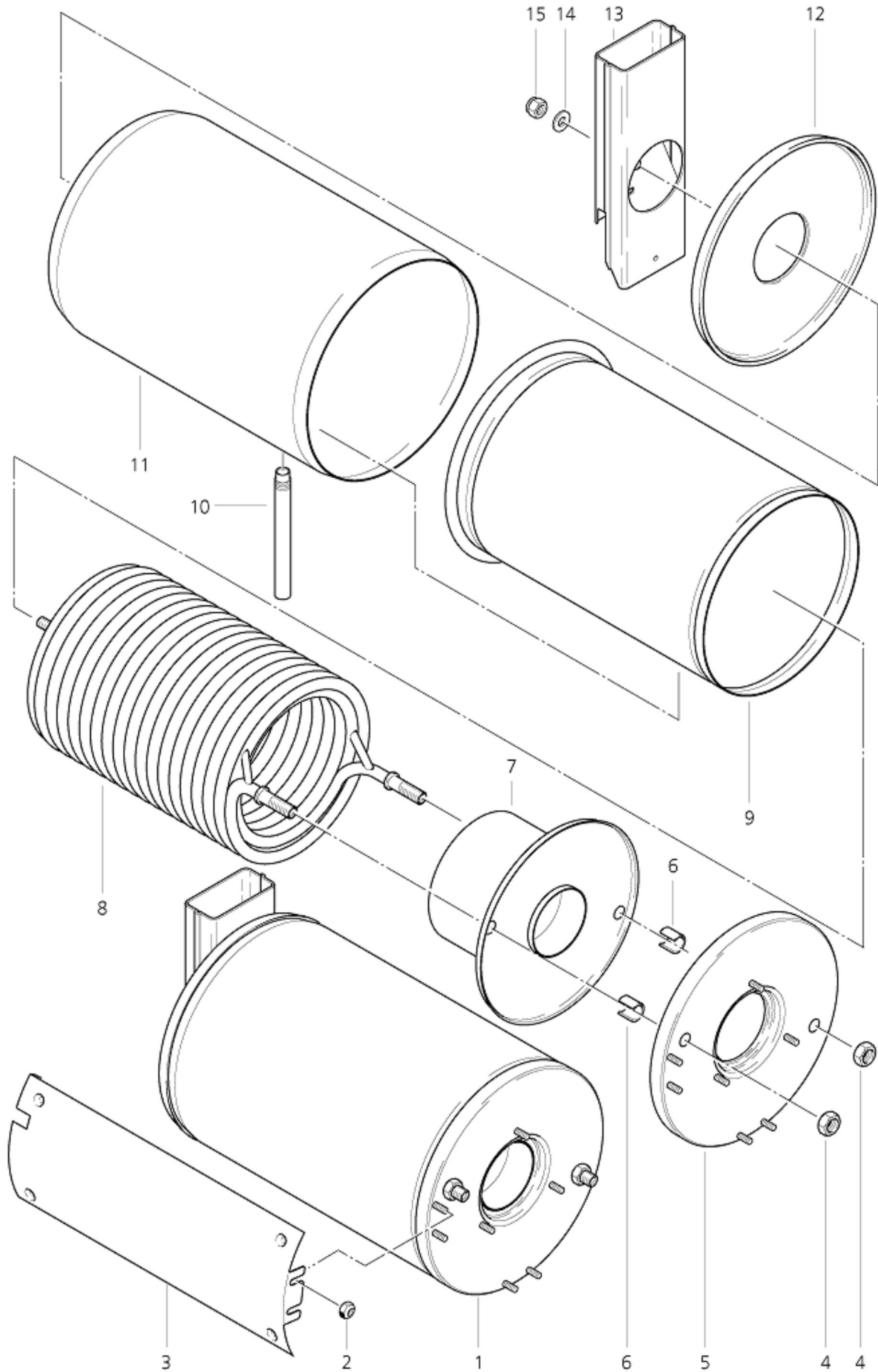
Burner exchanger

DX 800, 810, 820, 830, Titan

22-02-2015

Part List ID
DX80026

27



Burner exchanger

DX 800, 810, 820, 830, Titan

22-02-2015

Part List ID
DX800Z6

28

Pos	Part no.	Qty	Description
1	60553	1	HEAT EXCHANGER
2	61467	1	HEXAGON NUT M8
3	49159	1	PLATE HEAT PROTECTION DX
4	7012	1	HEXAGON NUT M18X1.5
5	60313	1	COVER
6	46357	1	PIPE 2391 19X1.5X22 ZN
7	60309	1	BURNER COVER
8	60557	1	COIL
9	60307	1	MANTEL INNEN Ø322X472X0.6
10	61882	1	PIPE
11	60306	1	JACKET
12	61527	1	COVER
13	60315	1	EXHAUST PIPE
14	2768	1	WASHER 13X2.5 ISO 7090 ZN
15	40018	1	NUT 6KT- M12 985 ZN

Burner exchanger assy.

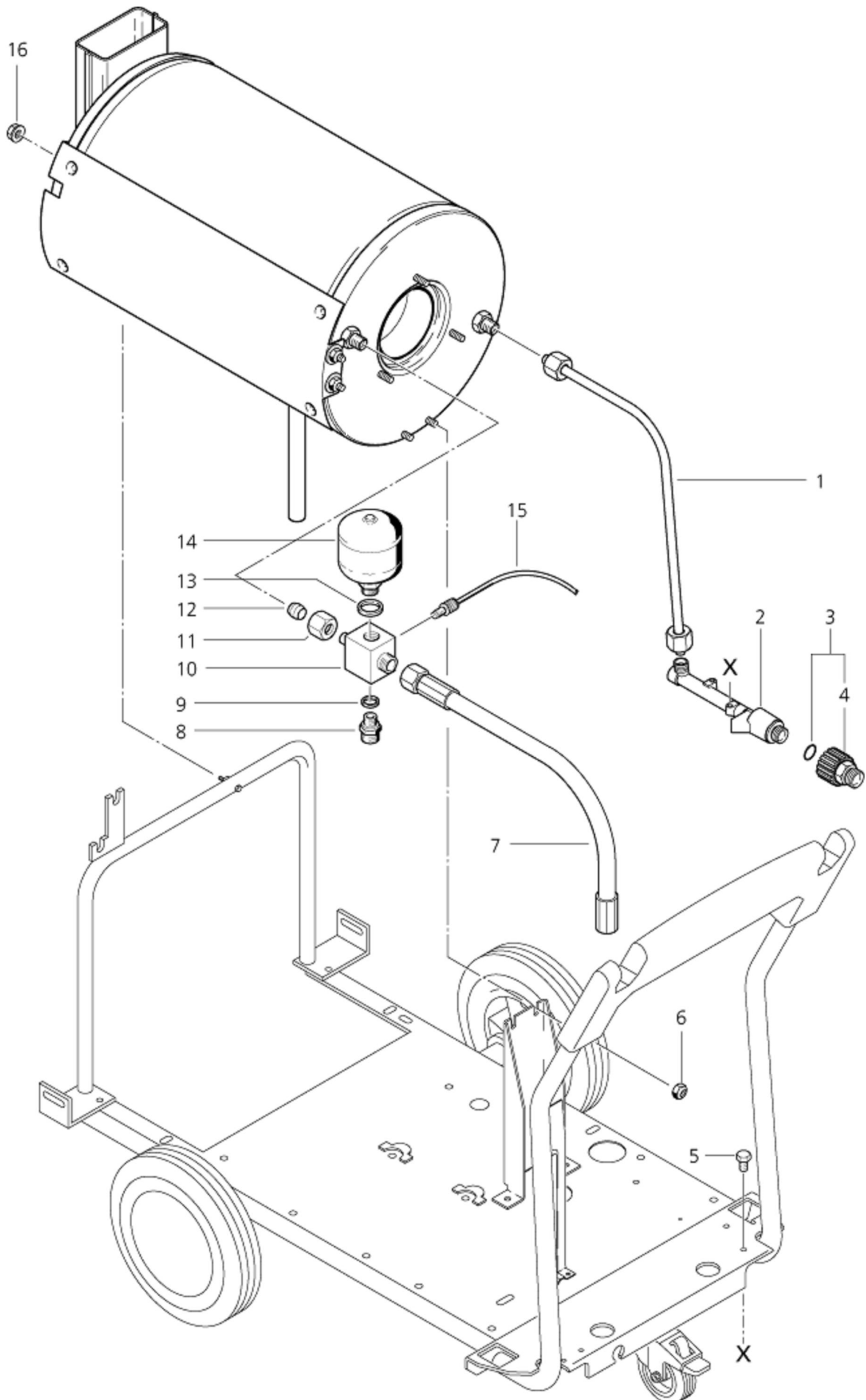
DX 800, 810, 820, 830, Titan

22-02-2015

Part List ID

DX80028

29



Burner exchanger assy.

DX 800, 810, 820, 830, Titan

22-02-2015

Part List ID
DX800Z8

30

Pos	Part no.	Qty	Description
1	61443	1	PIPE
2	62145	1	DISTRIBUTOR SQUARE HD-AUS
3	5895	1	K SCREW CONNECT. M18X1. 5A
4	6149	1	O-RING 9.3X2.4 SMS1586 NBR90 10PCS
5	8917	1	SCREW M6X12
6	61467	1	HEXAGON NUT M8
7	57556	1	HP HOSE DN 8X400 G3/4
8	1821	1	FITTING XGE 6LR1/8
9	1605	1	PACKING RING 10X14
10	46303	1	DISTRIBUTOR M18X1.5 ZN
11	1081	1	UNION NUT L12 DIN 3870-A ST/ZN
12	1080	1	CUTTING RING L12 B DIN 3861 ST/ZN
13	13663	1	PACKING RING 16X20 A760
14	14537	1	HYDRAULIC ACCUMULATOR DO.
15	30796	1	THERMAL CUT OUT WIRE 800MM WITH AEH

