

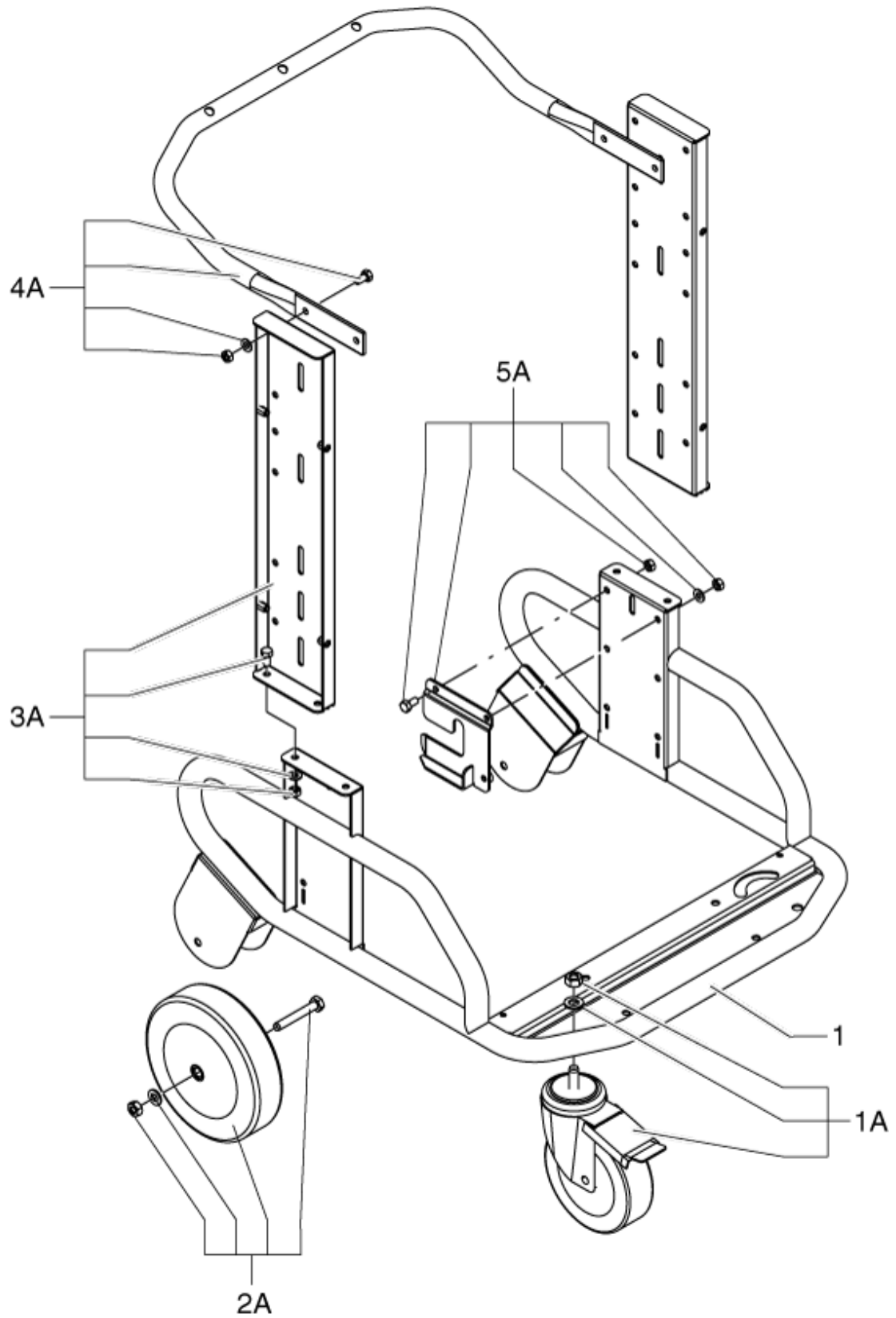
PARTS LIST



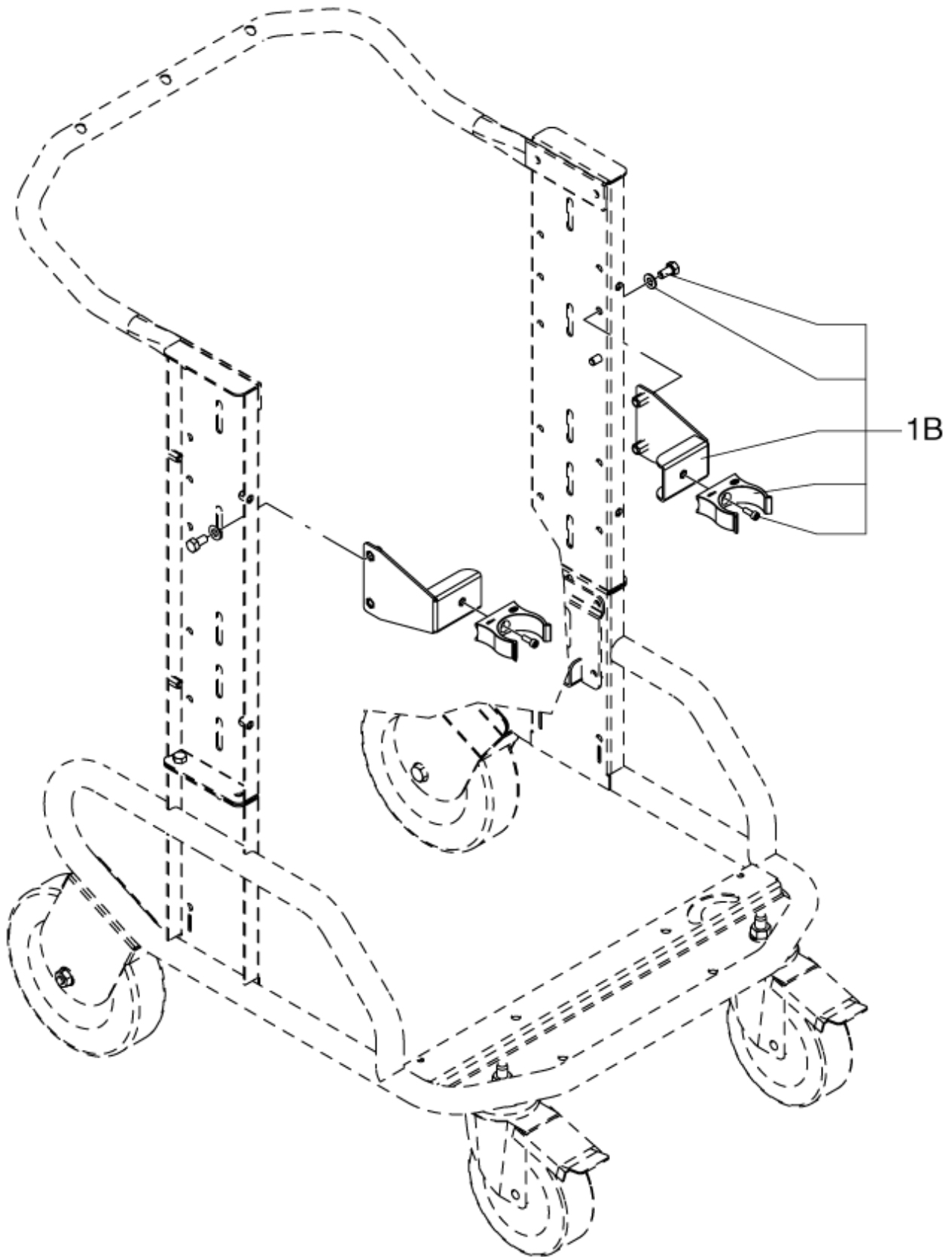
2017.08.04

TABLE OF CONTENTS

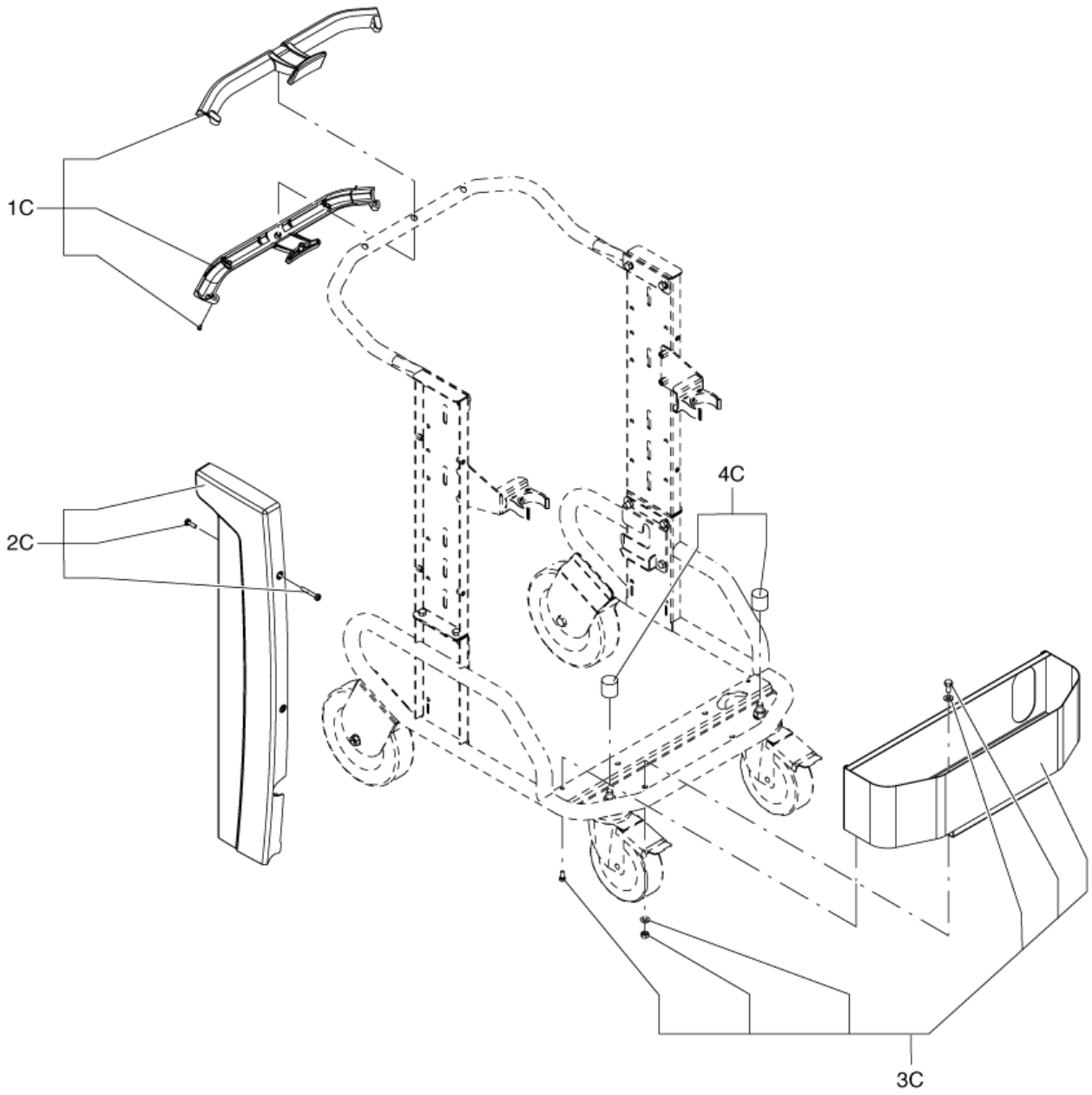
Car 01	1
Car 02	3
Car 03 (mod. L)	5
Container unit	7
Cyclon kit	9
Filter group	11
Absolute filter	13
Suction unit 01	15
Suction unit 02	17
Suction unit 03	19
Suction unit 04	21
Suction unit 05	23
Suction unit 06	25
Suction unit 07	27
Suction unit 08	29
Suction unit 09	31
Suction unit 10	33
Car 03 (mod. M)	35
OPTIONALS	37



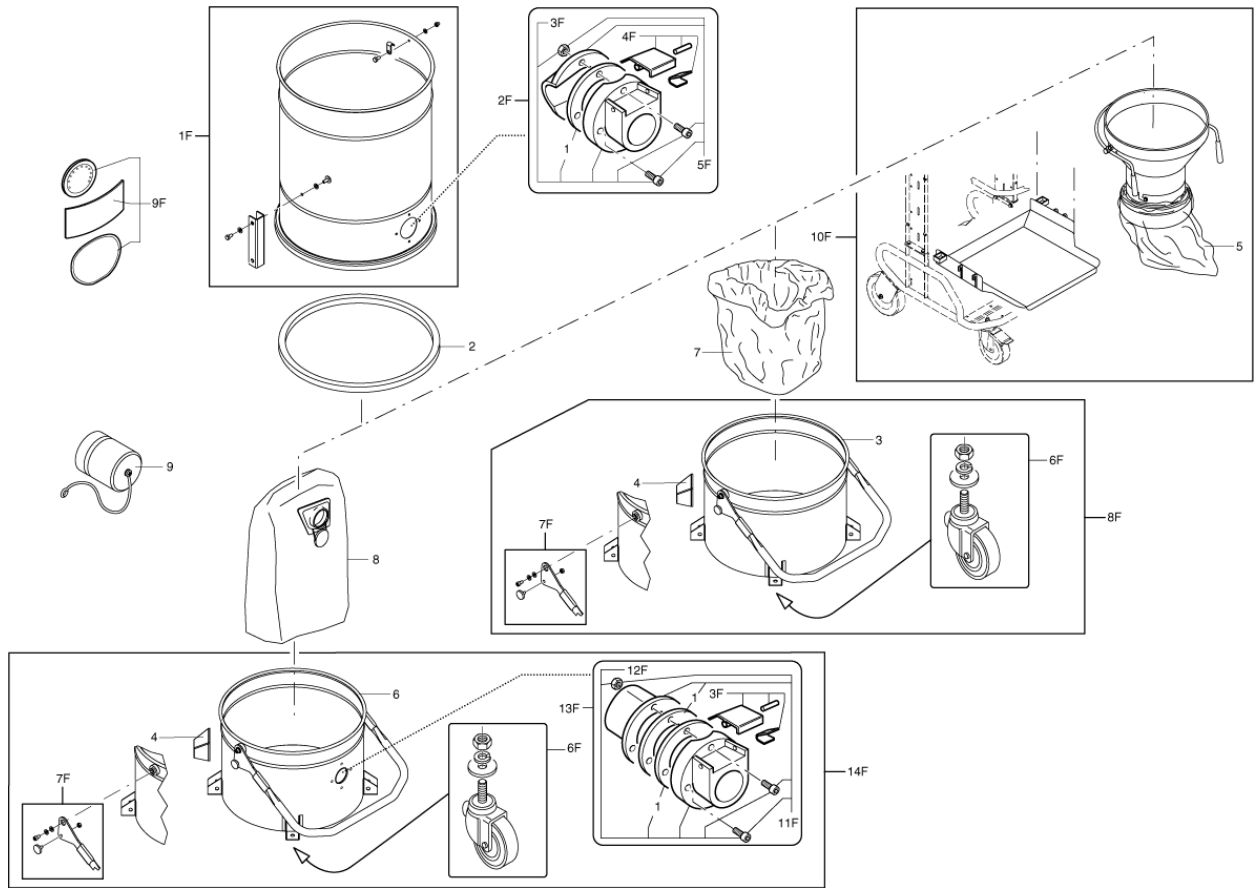
Pos.	Numer Produktu	ilość	Opis	Notes
01	4083600611	1	TROLLEY FOR MODEL S2-S3 R7016	
01A	40000874	2	KIT 2 REVOLV. CASTORS D150	
02A	40000873	2	WHEEL D200 KIT	
03A	40000871	1	UPRIGHT KIT	
04A	40000891	1	HANDLE KIT	
05A	40000872	1	BIN RELEASE KIT	



Pos.	Numer Produktu	ilość	Opis	Notes
01B	40000856	1	UCHWYT DO WEŻA	



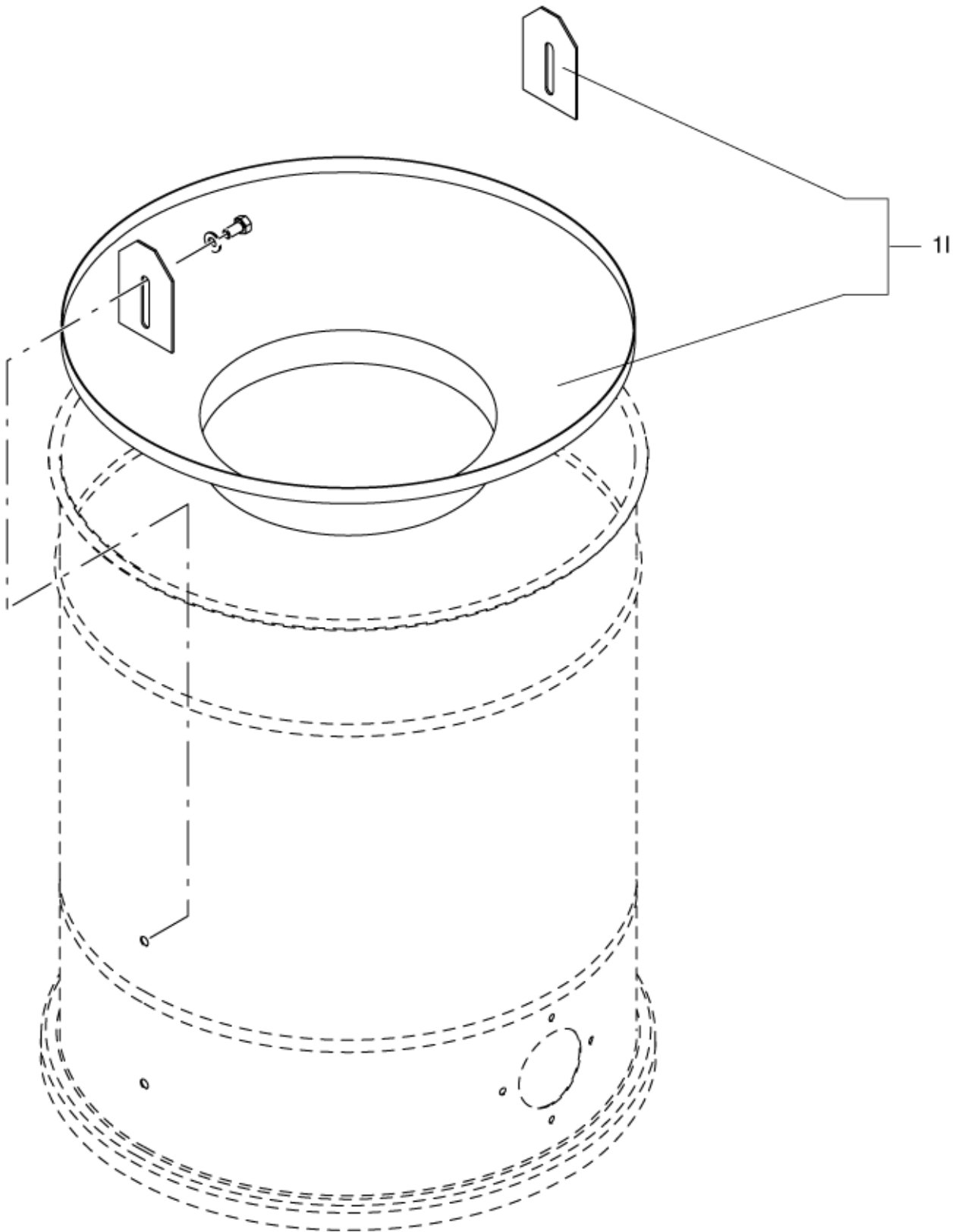
Pos.	Numer Produktu	ilość	Opis	Notes
01C	40000855	1	HANDLE KIT	
02C	40000864	1	UPRIGHT PROTECTION KIT	
03C	40000892	1	POJEMNIK NA AKCESORIA	
04C	40000870	1	PROTECTION KIT	



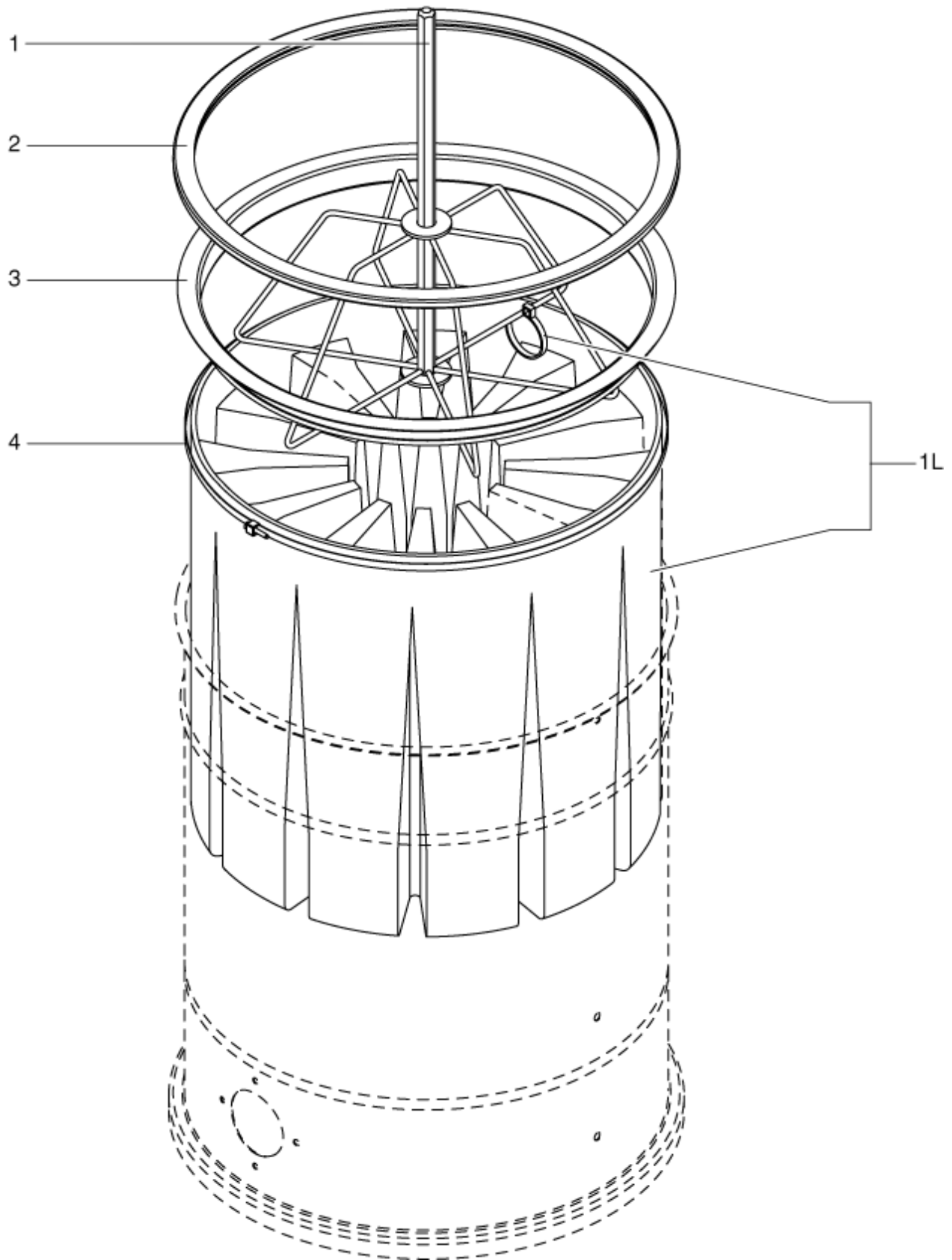
Pos.	Numer Produktu	ilość	Opis	Notes
01	Z8 17006	3	INLET SEAL D70	
01F	40000869	1	FILTER CHAMBER KIT	
01F	40000895	1	Komora filtra	
02	40000762	1	USZCZELKA	
02F	40000868	1	D70 INLET FULL KIT	
02F	40000418	1	Wlot D70 INOX MOD. A17	
03	4083000526	1	BIN D460 L40 M.S2	
03	4083000529	1	BIN D460 L40 SS M.S2	
03F	40000867	1	D70 INLET KIT	
03F	40000344	1	KIT INLET INOX D70	
04	Z8 17021	4	BUMPER WHEEL HOLDER	
04F	40000345	1	KIT PUSHBUTTON FOR INLET D70	
05	4084001017	1	PACKAGE OF 5 BAGS D460 LDPE	
05	4084000956	1	MINI PACKAGE 4x22 MT 55 MICRON LONGOPAC	
05F	40000395	1	KIT DEFLECTOR D70	
05F	40000416	1	KIT DEFLECTOR D70 INOX MOD.A17	
06	4083000532	1	BIN D460 L40 FOR BAG ATTACK M.S2	
06	4083000534	1	BIN D460 L40 FOR BAG ATTACK M.S2 SS	
06F	40000419	1	Koło zbiornika	
06F	40000484	1	KIT CASTORS FOR CONTAINER INOX	
07	Z8 40099	1	WOREK LDPE 3306	
07F	40000925	1	STAIN LESS HANDLE KIT L40	
07F	40000924	1	HANDLE KIT L40	
08	81584000	1	WORKI PAP. 5-P GM/GS 82	
08F	4083000527	1	COMPLETE BIN D460 L40 M.S2	
08F	4083000530	1	COMPLETE BIN D460 L40 SS S2	
09	Z7 21070	1	PLUG X INLET D70 FE COMPLETE	
09	Z7 21072	1	PLUG X INLET D70 INOX COMPLETE	[1]
09F	40000896	1	STICKER KIT	
10F	4056000468	1	ZESTAW DO ROZŁADOWYWANIA MS2-S3-T30S	
11F	40000852	1	DEFLECTOR FOR PAPER BAG KIT	
12F	40000867	1	D70 INLET KIT	
13F	40000894	1	D70 INLET FULL KIT	
14F	4056000495	1	KIT DISPOSAL SYSTEM D460 L40 I MOD.S2	
14F	4056000494	1	KIT DISPOSAL SYSTEM D460 L40 MOD. S2	

Part Notes:

[1] - CONTACT PM ZOCCA



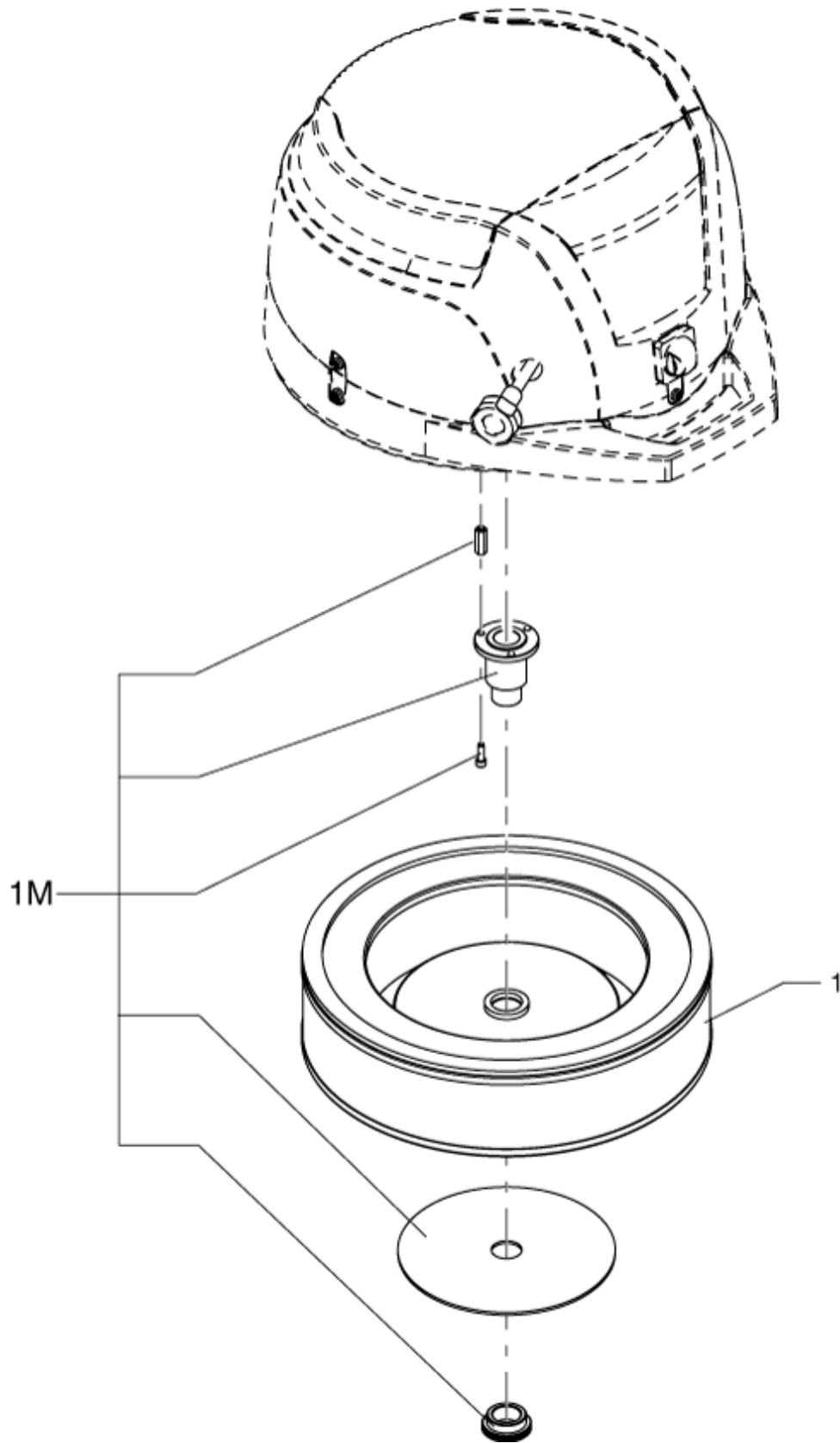
Pos.	Numer Produktu	ilość	Opis	Notes
011	Z5 60109	1	WKŁADKA CYKLONOWA D460	



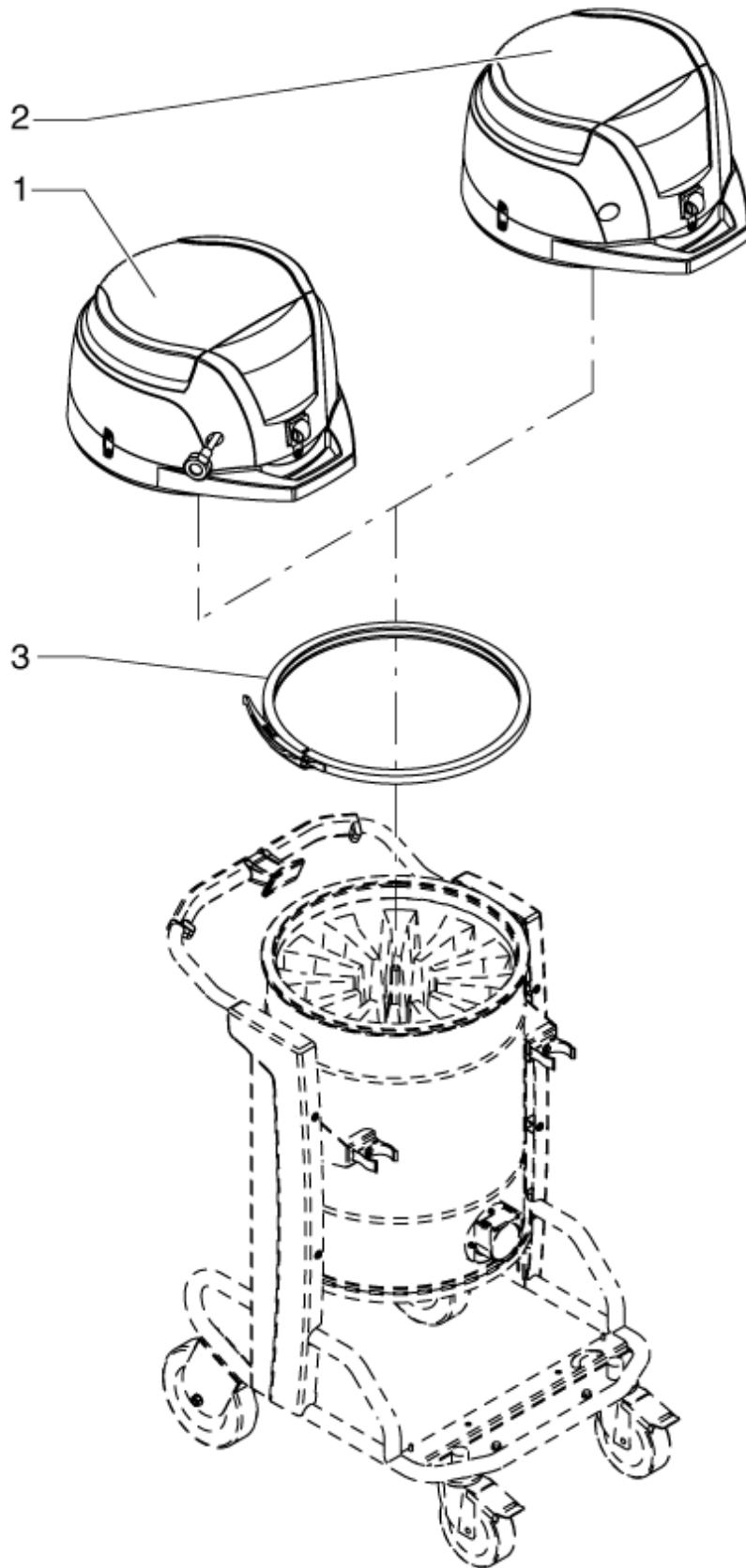
Pos.	Numer Produktu	ilość	Opis	Notes
01	4083300358	1	FILTER SHAKER CAGE FE D460 M. S2-S3	
01L	40000492	1	FILTR GWIAZDOWY KIT D460 M KLASA	[1]
01L	40000338	1	FILTR GWIAZDOWY D460 KLASA L	[2]
01L	40000898	1	FILTR GWIAZDOWY KIT D460 NOMEX	[3]
02	Z8 17026	1	Uszczelnienie	
02	Z8 17126	1	FILTER SEAL D460 SILIC.	
03	Z8 15003	1	Uchwyt	
03	Z8 15010	1	Uchwyt	
04	4081801387	1	FILTER BLOCK TIE D460 SS AISI304	
04	Z8 18079	1	OPASKA FILTRA D460	

Part Notes:

- [1] - M CLASS
- [2] - L CLASS
- [3] - NOMEX



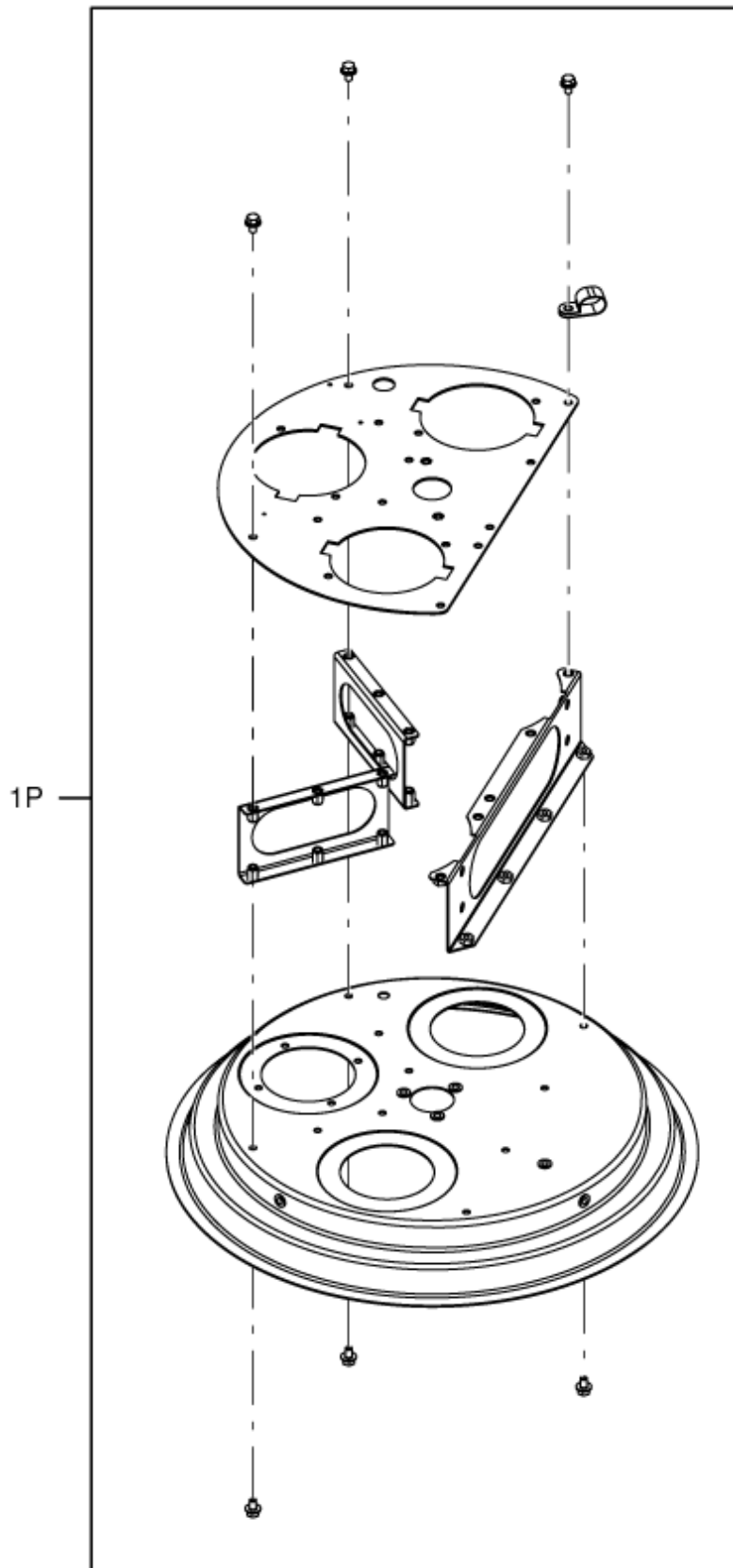
Pos.	Numer Produktu	ilość	Opis	Notes
01	4081700935	1	ABSOLUTE FILTER 415X100 S2S-S3	
01M	40000897	1	KIT ABSOLUTE FILTER SUPPORT	



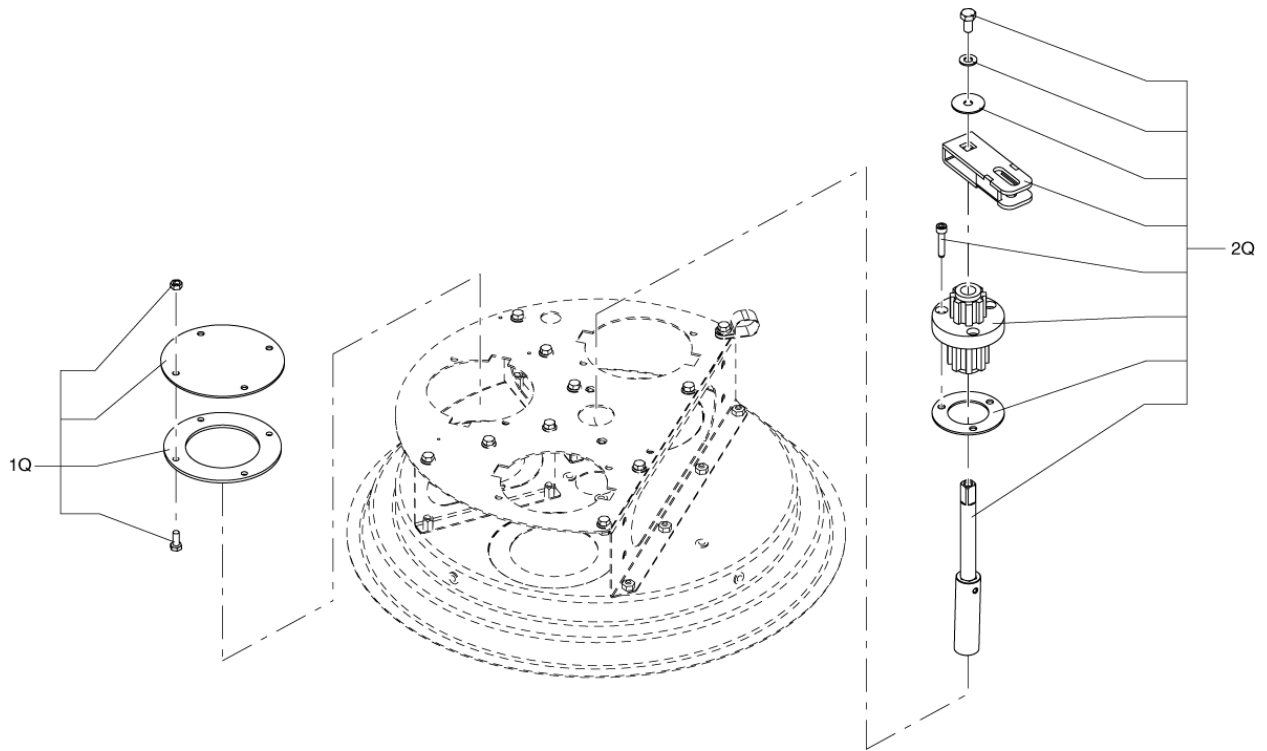
Pos.	Numer Produktu	ilość	Opis	Notes
01	4089100086	1	KIT COMPLETE HEAD M.S2 230V EU	
01	4089100074	1	KIT COMPLETE HEAD S2 110V UK	
01	4089100073	1	KIT COMPLETE HEAD S2 230V UK	
02	4089100144	1	KIT COMPLETE HEAD SHAKER EL.M.S2 230V UK	
02	4089100145	1	KIT COMPLETE HEAD SHAKER EL.M.S2 110V UK	
02	4089100143	1	KIT COMPLETE HEAD SHAKER EL.M.S2 230V EU	
03	Z8 36191	1	Blokada	
03	Z8 36355	1	BAND LOCK D460 INOX 3308 COMP. W.BRACKET	[1]

Part Notes:

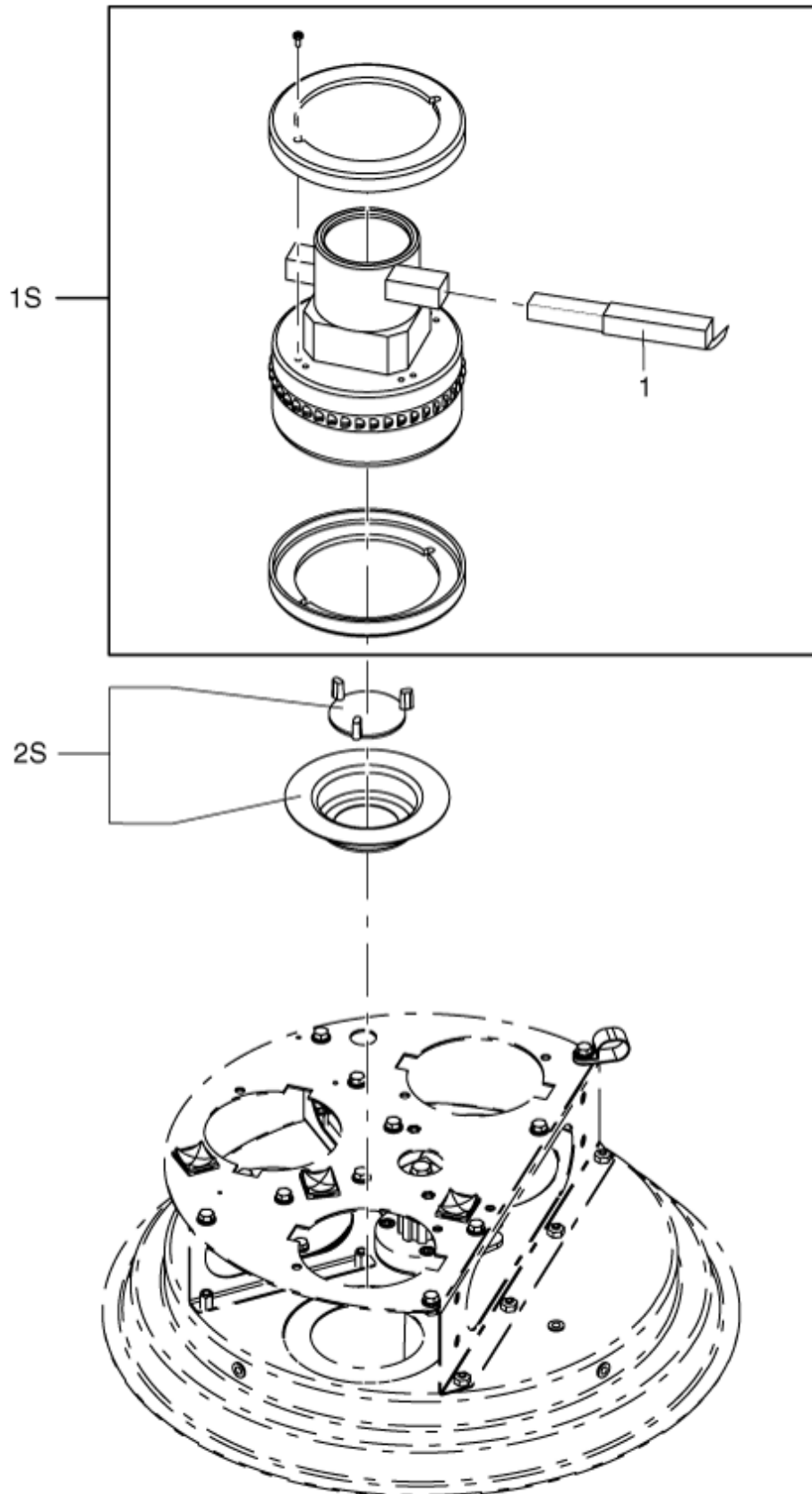
[1] - CONTACT PM IN ZOCCA



Pos.	Numer Produktu	ilość	Opis	Notes
01P	40000899	1	MOTOR SUPPORT KIT	



Pos.	Numer Produktu	ilość	Opis	Notes
01Q	40000901	1	S2 MOTOR CLOSING KIT	
02Q	40000900	1	FILTERSHAKER DEVICE KIT	

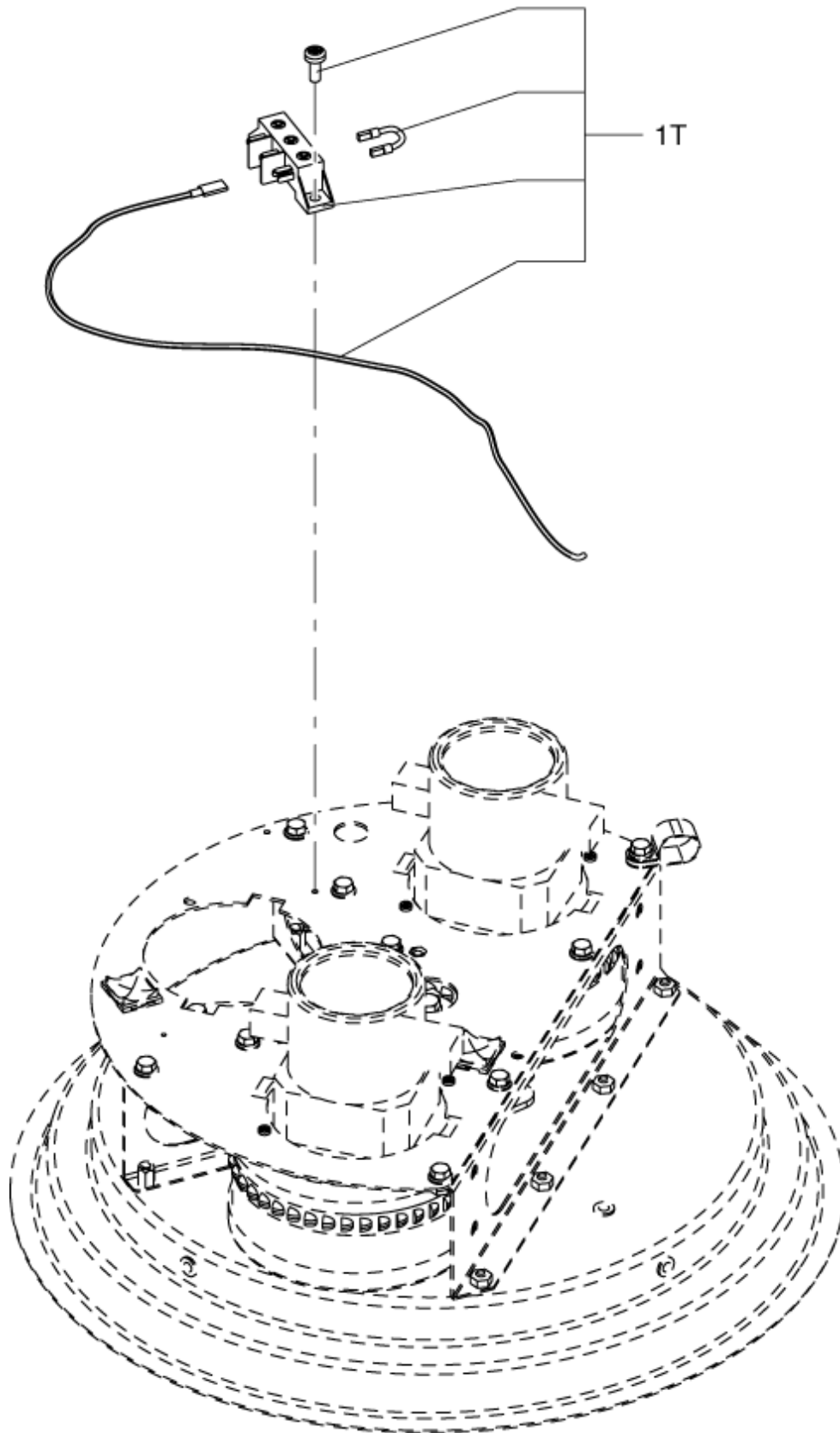


Pos.	Numer Produktu	ilość	Opis	Notes
01	40000885	1	MOTOR BRUSH KIT V230	[1]
01	40000886	1	MOTOR BRUSH KIT V120	[2]
01S	40000937	1	SILNIK KPL. V230	[1]
01S	40000938	1	MOTOR KIT V110 UK	[2]
02S	40000902	1	BUTTERFLY VALVE KIT	

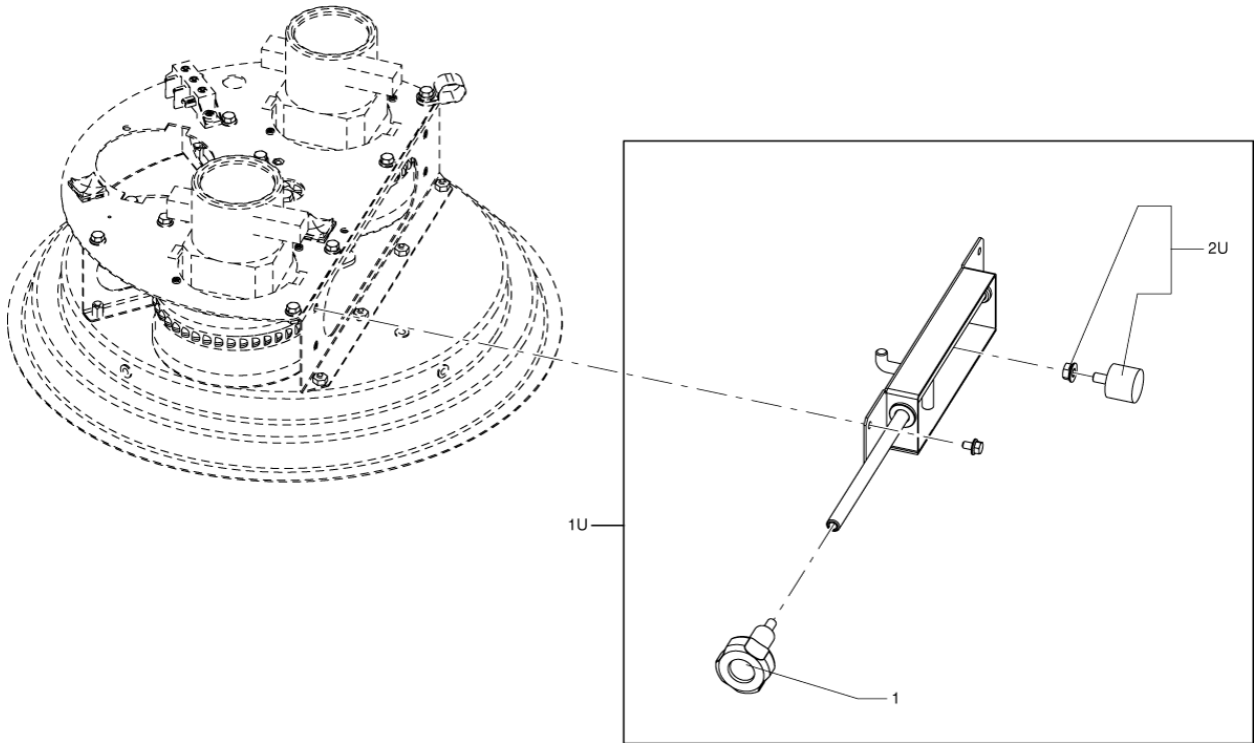
Part Notes:

[1] - V230

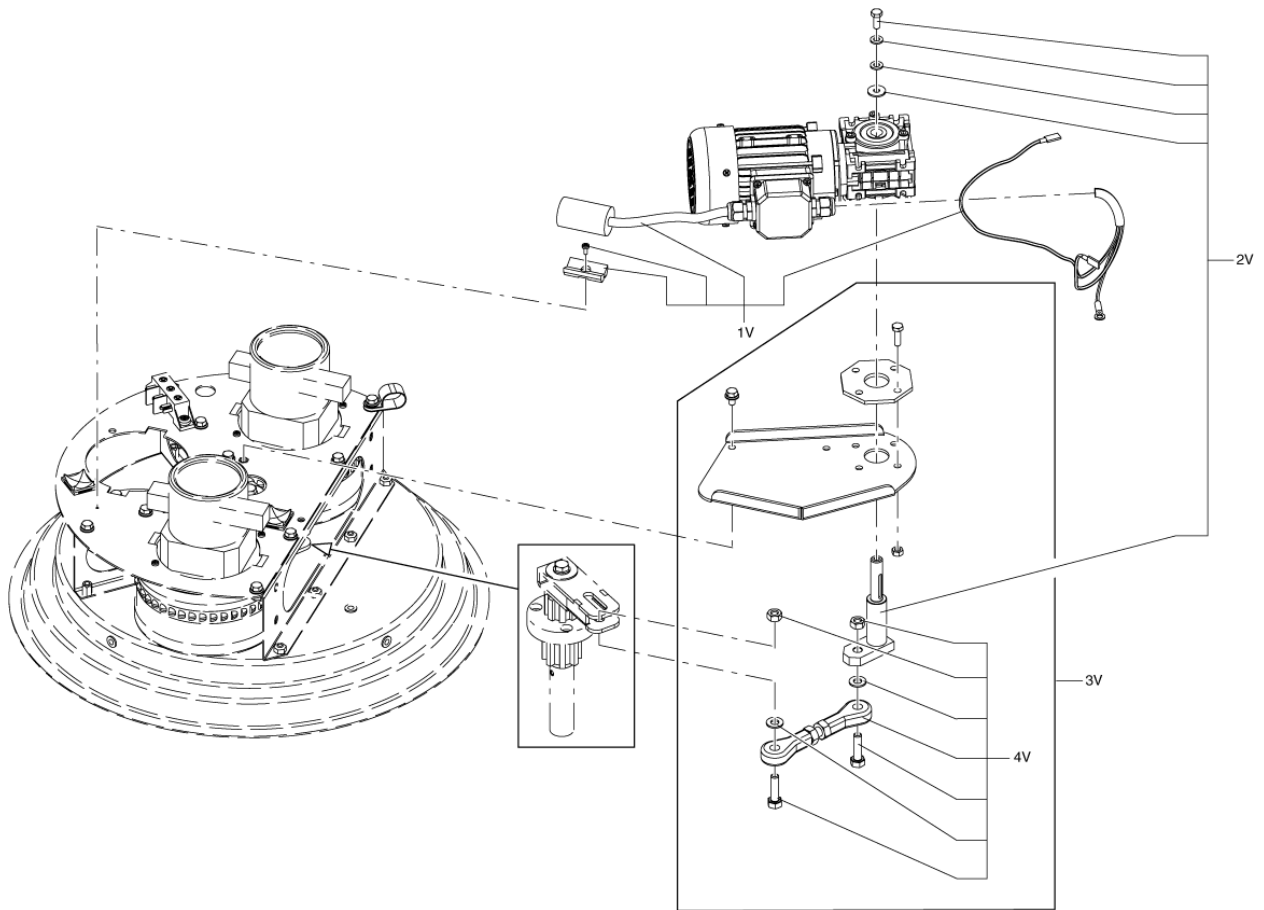
[2] - V110



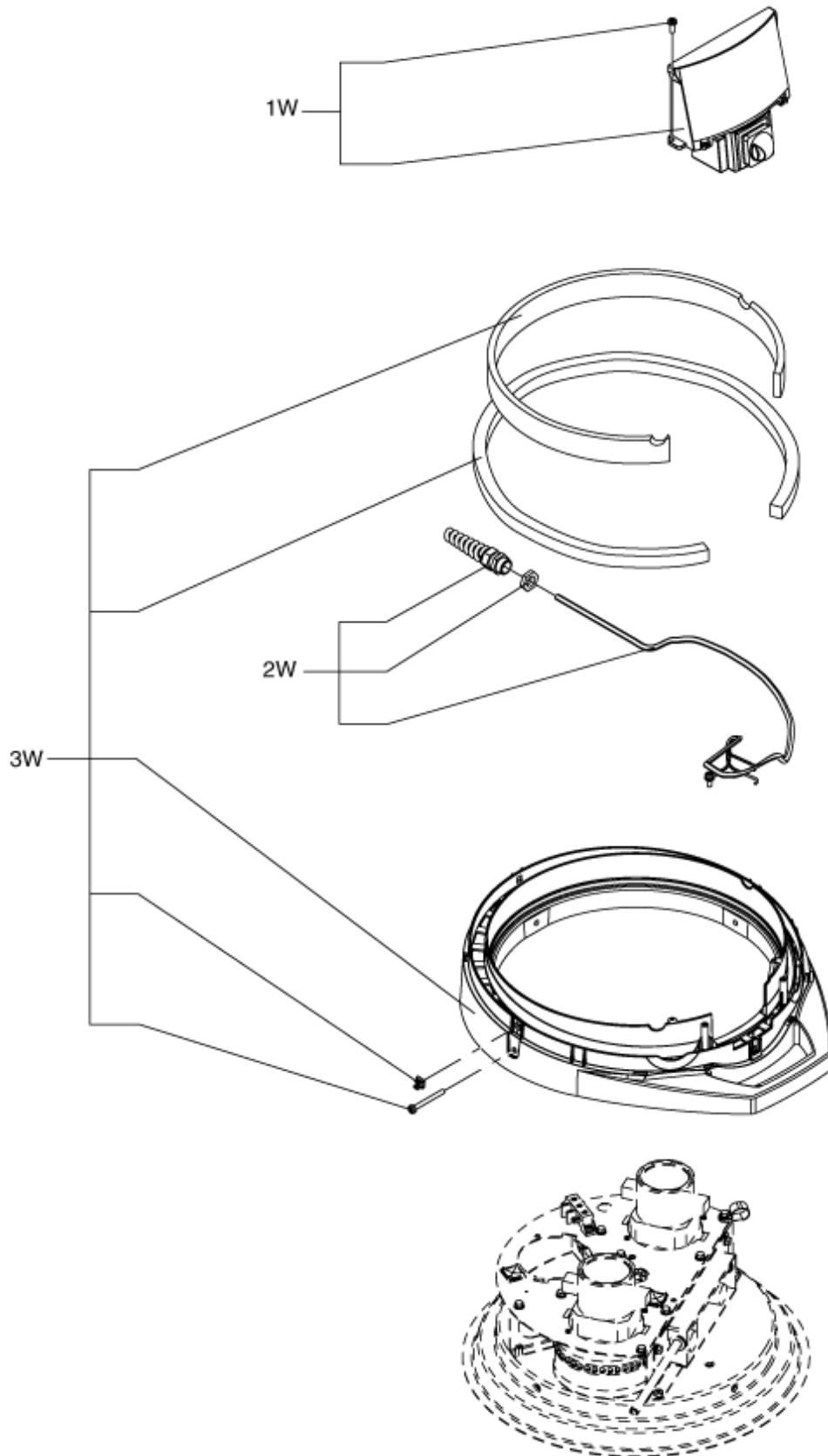
Pos.	Numer Produktu	ilość	Opis	Notes
01T	40000905	1	CABLE KIT FOR MOTORHEAD	



Pos.	Numer Produktu	ilość	Opis	Notes
01	4084001012	1	FILTER SHAKER KNOB M8 MOD.S2-S3	
01U	40000906	1	FILTERSHAKER KIT	
02U	40000907	1	PUFFER KIT	



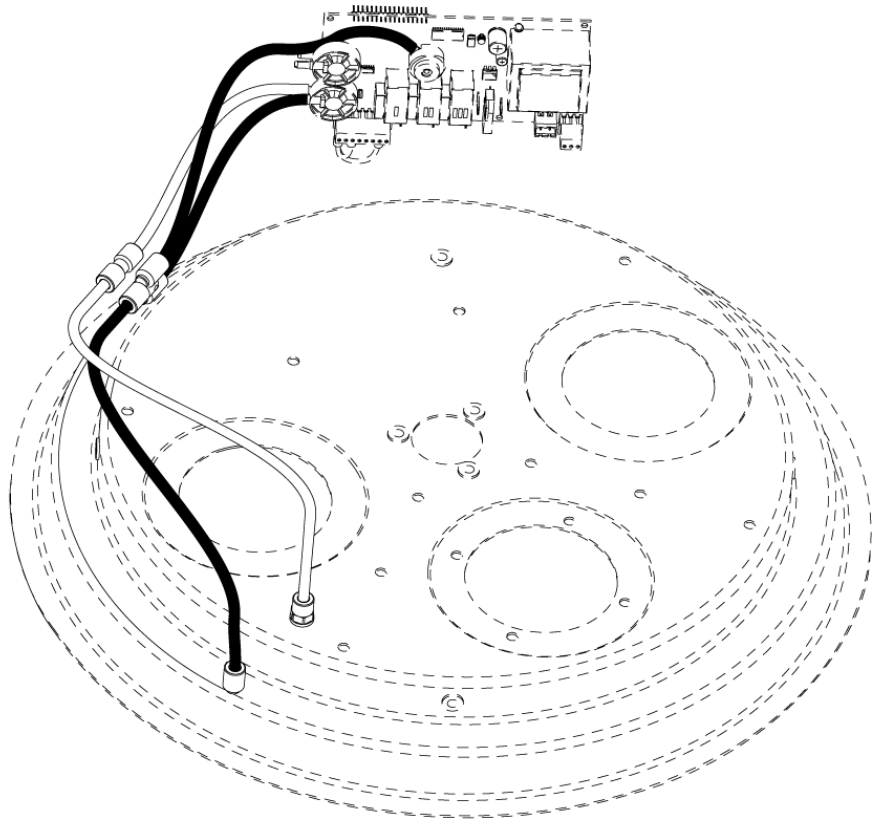
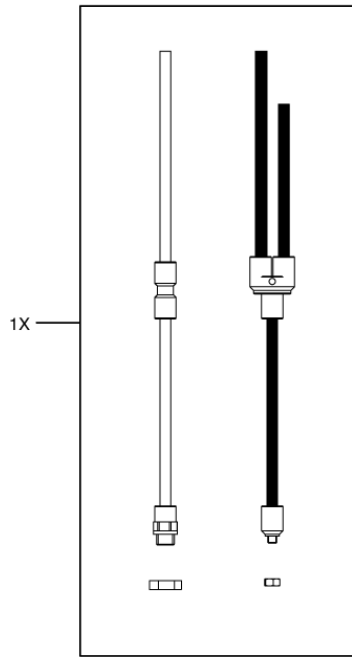
Pos.	Numer Produktu	ilość	Opis	Notes
01V	4085600142	1	MOTORREDUCERXSE D460 S2-S3	
01V	4085600143	1	MOTOR RED.SE D460 M.S2-S3V110 UK	
02V	40000920	1	GEARMOTOR SHAFT KIT	
03V	40000918	1	GEARMOTOR FIXING KIT	
04V	40000919	1	FILTERSHAKER JOINT KIT	



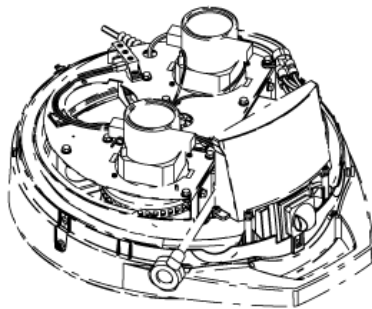
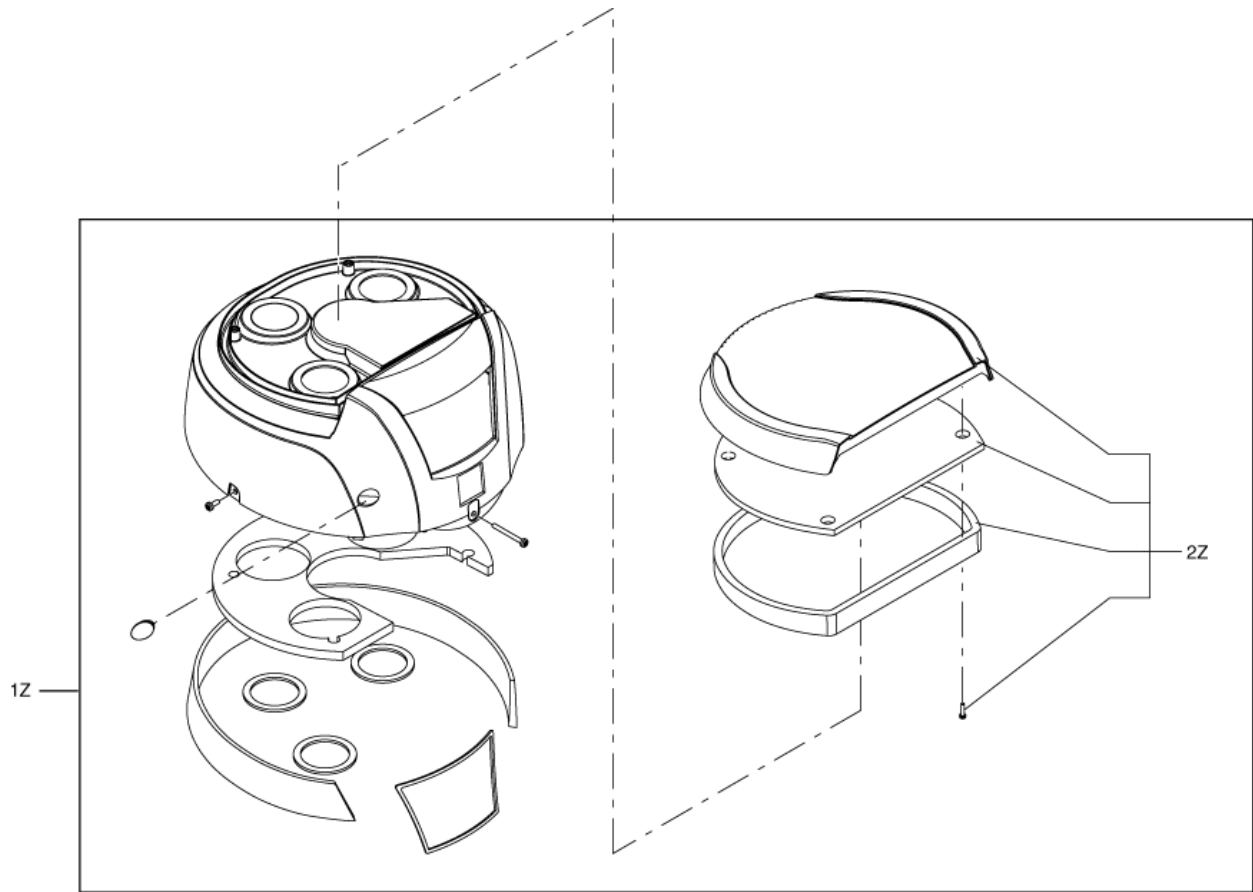
Pos.	Numer Produktu	ilość	Opis	Notes
01W	40000912	1	KEYBOARD KIT 2 MOTORS 230V	[1]
01W	40000911	1	KEYBOARD KIT 2 MOTORS 110V UK	[2]
02W	40000913	1	CABLE KIT V230 UK	[3]
02W	40000909	1	CABLE KIT V230 EU	[1]
02W	40000910	1	S2B CABLE KIT V110 UK	[2]
03W	40000908	1	DIFFUSER KIT	

Part Notes:

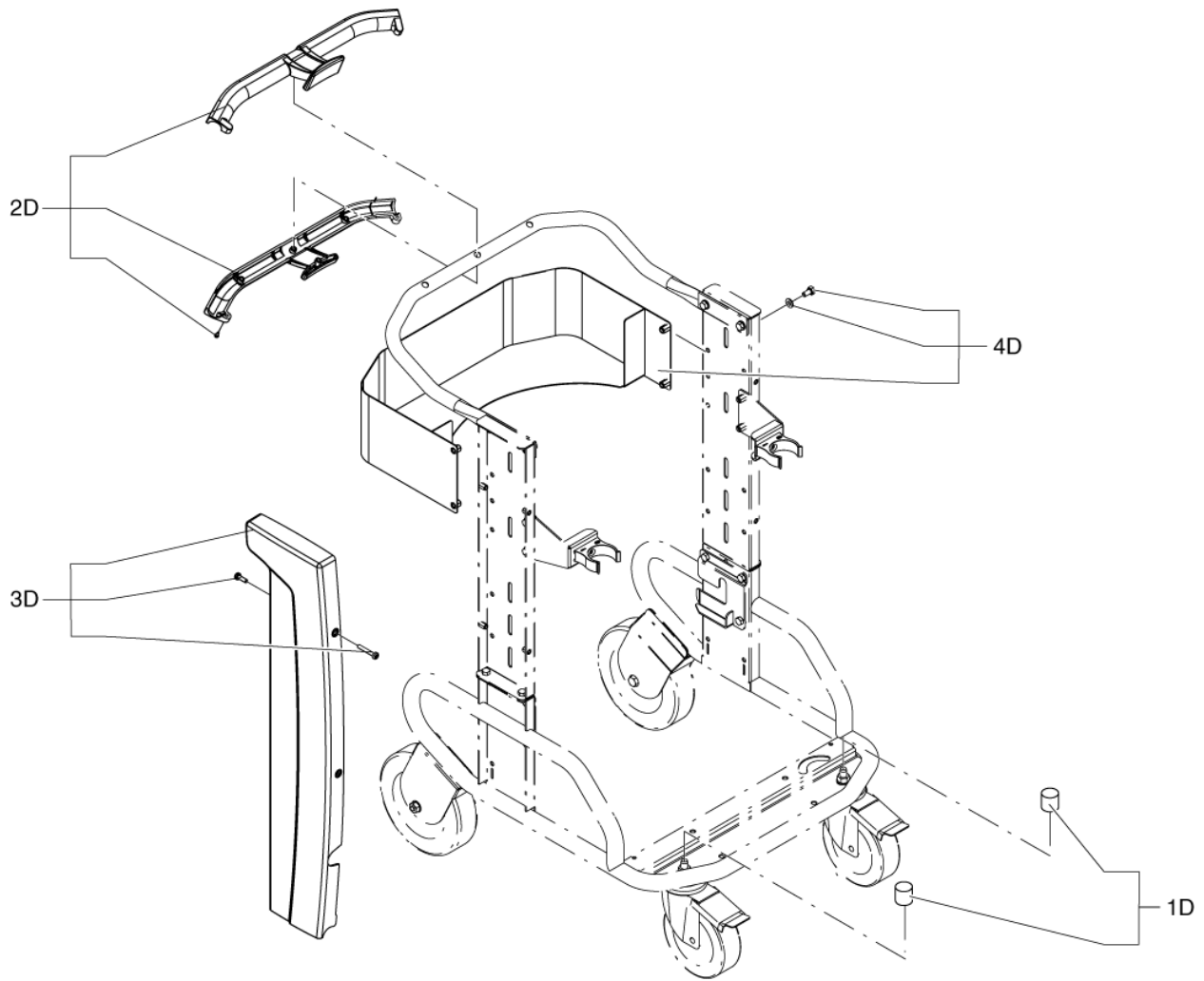
- [1] - V230 EU
- [2] - V110 UK
- [3] - V230 UK



Pos.	Numer Produktu	ilość	Opis	Notes
01X	40000914	1	FILTER SENSOR HOSE KIT	



Pos.	Numer Produktu	ilość	Opis	Notes
01Z	40000917	1	COMPLETE COVER KIT	
02Z	40000916	1	AIR INTAKE COVER KIT	



Pos.	Numer Produktu	ilość	Opis	Notes
01D	40000870	1	PROTECTION KIT	
02D	40000855	1	HANDLE KIT	
03D	40000864	1	UPRIGHT PROTECTION KIT	
04D	40000893	1	COMPARTMENT KIT	

Pos.	Numer Produktu	ilość	Opis	Notes
1	4056000479	1	ABSOLUTE FILTER RINF. KIT MOD.S2-S3	
2	4081400716	1	BUSHING M30x1.5 ABS.FILTER M.S2-S3 FE	
3	4081400717	1	GHIERA M30x1.5 F.ASS.M.S2-S3 FE	
4	4081801315	1	TRAY FOR LONGOPAC SS MOD.S2-S3	
5	4083300448	1	FILTER SHAKER CAGE ELECT.D460 M. S2-S3	
6	4085300405	1	COMPLETE HEAD S2 230V CHP	
7	Z8 39366	1	CONTACT AUX CONTACTOR NO SIRIUS S2-S12	

