

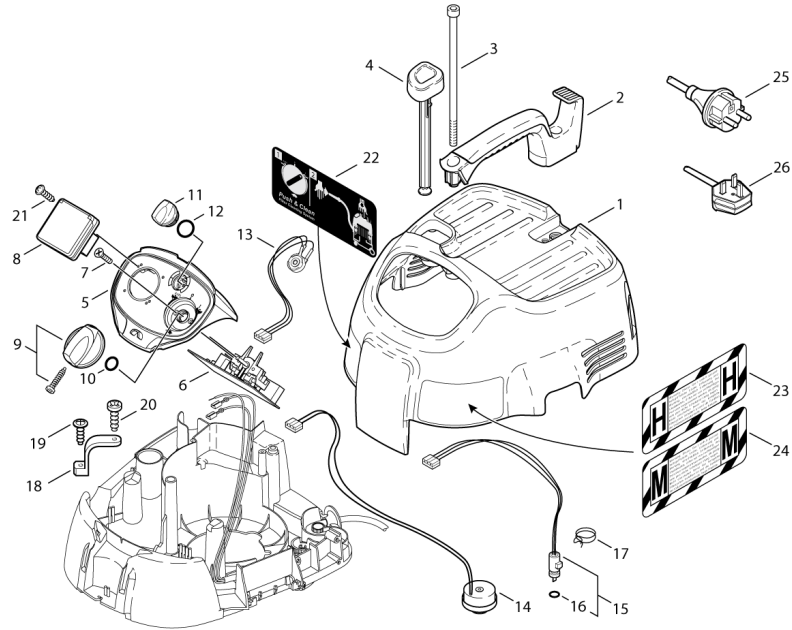
PARTS LIST



2017.07.31

TABLE OF CONTENTS

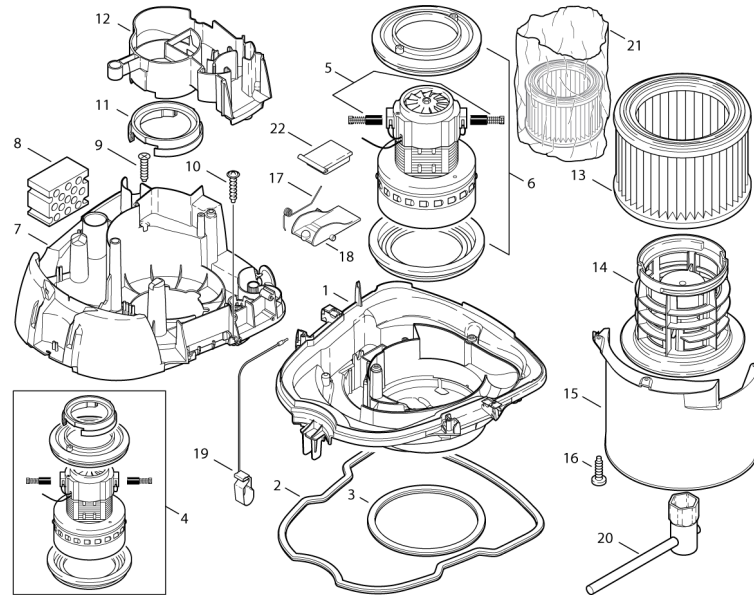
Cabinet	1
Motor and filter	3
Container and filters	5
Antistatic kit 38 mm	7
Mach. kit 38 mm polyurethan	9
Mac/floor kit 38 mm polyurethan	11
Mac/floor 38 mm rubber	13
RECOMMENDED SPARE PARTS	15



Pos.	Numer Produktu	ilość	Opis	Notes
00	302000550	1	FOLDING BOX ATTIX 3	[1]
01	302000485	1	HOOD + SOUNDPROOFING	
02	302001913	1	HANDLE SUBASSEMBLE	[1]
03	909100084	2	SCREW M6X140	
04	302000343	1	ROD 194X23X23	
04	302001917	1	BUTTON IF DEDUSTING OF FILTERS	[1]
05	302000354	1	SWITCH CASE	
05	302001887	1	LABEL NILFISK IVB 3-H-M PC	[1]
06	302000630	1	ELECTRONIC FLOW MEASUREMENT	[2]
06	302000629	1	ELECTRONIC FLOW MEASUREME	[3]
07	18274	2	COUNTERSUNK SCREW M4X12	
08	302004336	1	SOCKET 13A/250V GB	
08	302004034	1	SOCKET 16A/250V EU	
09	909100231	1	TURNING KNOB GR.1 6X5 PP GREY	
10	9868	1	O-RING 10.2X2.5 NBR 70	
11	107400575	1	TURNING KNOB FOR POTI - BLACK	
12	107400576	1	O-RING 21X1.5	
13	302000429	1	ELECTRONIC POTENTIOMETER	
14	107400579	1	PIEZO BUZZER	
15	302000428	1	CZUJNIK PRZEPŁYWU KPL.	
16	55416	1	O-RING 4.0x1.5 NBR70	
17	107400578	1	HOSE CLAMP D10	
18	25871	1	BRACKET	
19	11254	1	SCREW 3.5X10 WN1411	
20	14418	1	SCREW 4.2X13 ISO 7049	
21	11256	2	SCREW 3.5X18	
22	302001325	1	LABEL DEDUSTING OF FILTERS	[1]
23	302001284	1	LABEL WARNING H	
24	302001285	1	LABEL WARNING M	
25	107402641	1	PRZEWÓD ZASILAJĄCY H05RR-F 3G1.5X8X2	
26	107400270	1	CORD H05RR-F 3G1.5 BS1 363 GB	

Part Notes:

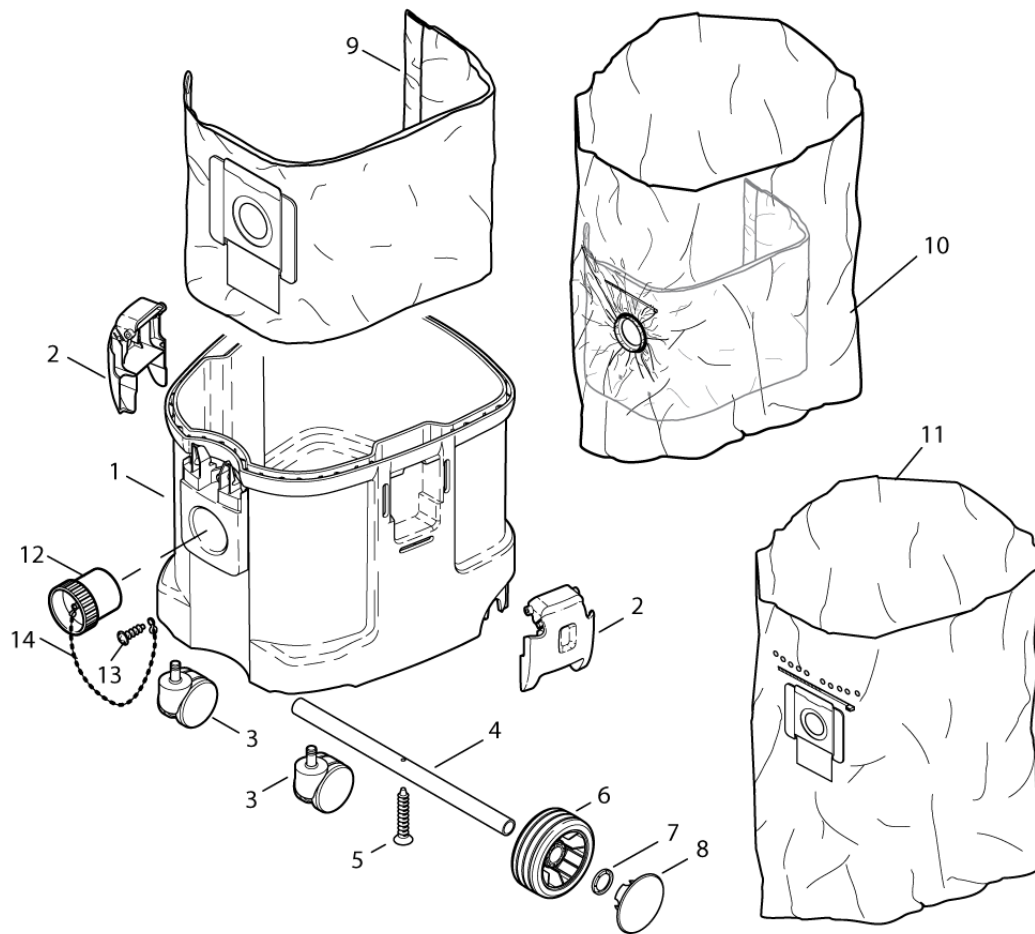
- [1] - STOCK COVERS GUARANTEE
 [2] - NT 220-240V
 [3] - NT 100-120V



Pos.	Numer Produktu	ilość	Opis	Notes
01	302000346	1	BASE PP GF15	
02	302000459	1	GASKET FOR CONTAINER	[1]
03	302000460	1	USZCZELKA FILTRA	
04	26784	1	MOTOR 120V 1200W	
04	49594	1	TURBINA 220V	[2]
05	49625	1	SZCZOTKI WĘGLOWE C	[2]
05	26775	1	CARBON BRUSH SET L	
06	42538	1	MOTOR BEARING 2 PCS	
06	28875	1	RING	
07	302001186	1	CLAMPING PLATE FLOWSENS	
08	302000600	1	DIFFUSOR 82.4X63.5X45	[1]
09	11253	3	SCREW 5X20 WN1413	
10	11256	4	SCREW 3.5X18	
11	47036	1	COLLAR	
12	302000348	1	AIR DUCT	
13	302000605	1	FILTR GŁOWNY D211X140 KLASA M	[3]
13	302000490	1	FILTR GŁOWNY D185X140 KLASA M	[3]
13	302000658	1	FILTR KASETOWY D211X140 KLASA H	[4]
14	107402646	1	FILTER SUPPORT CAGE ATTIX/AERO PP	
14	107400577	1	FILTER SUPPORT CAGE -H-SET-1	
15	302000341	1	DEFLECTOR 260X150X212	
16	11565	3	SCREW 5X18 WN1411	
17	909100083	1	TORSION SPRING D0.9X18X45 INOX	
18	302000344	1	FLAP 79X53X25 ATTIX 30	
19	61174	1	EARTHING CABLE	
20	107400755	1	TEE WRENCH HEXAGON 24MM DIN659	
21	30082	1	WOREK DO FILTRA	

Part Notes:

- [1] - STOCK COVERS GUARANTEE
- [2] - PLEASE CONTACT CARWASH DIRECTLY
- [3] - M-Class
- [4] - H-Class
CONTACT PM IN ZOCCA



Pos.	Numer Produktu	ilość	Opis	Notes
01	302001904	1	CONTAINER IVB-3..	
02	302000349	2	LOCKING CLAMP	
03	107415105	2	GUIDE ROLLER Ø60 PIN Ø11X22	
04	302000464	1	AXLE 20X1.5X345	[1]
05	909100085	1	EJOT SCREW KA50X35 WN1413 ST/ZN	
06	302000465	2	WHEEL D100X20	
07	47302	2	CLAMPING RING 28.6 20	
08	25710	2	HUB CAP Ø 75	
09	302000565	1	WORKI FILTRUJĄCE NEUTRAL 5-P	
10	302001910	1	SAFETY FILTER BAG IVB-3 5 PCS	
11	302001310	1	WORKI ODZYSKU ATTIX 3 5-P	
12	14775	1	HOSE INLET PLUG 50MM	
13	24738	2	SCREW KA35X 8 WN1411	
14	30080	1	BALL CHAINS	

Part Notes:

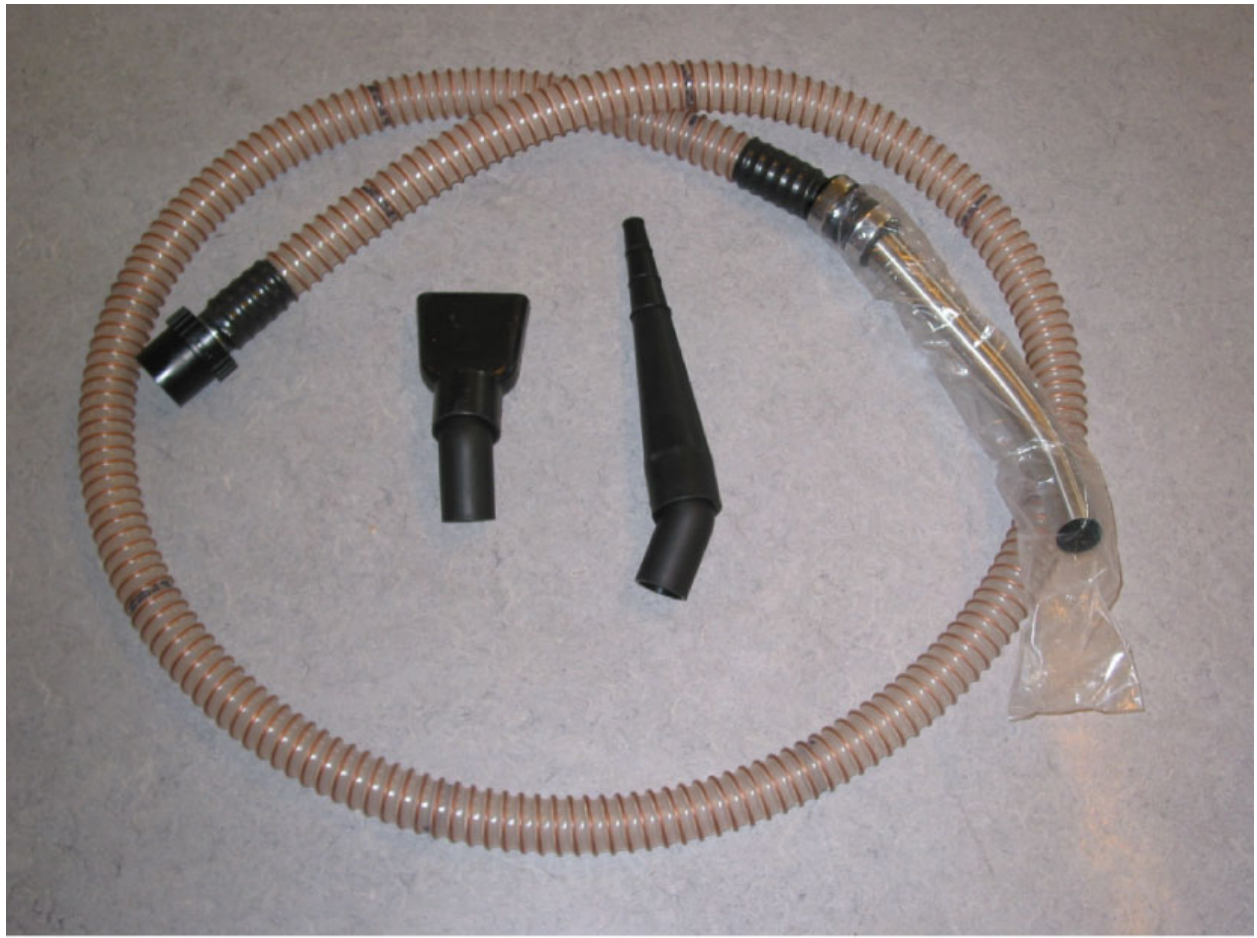
[1] - STOCK COVERS GUARANTEE



Pos.	Numer Produktu	ilość	Opis	Notes
01	80601000	1	ANTISTAT KIT 38MM	
11	L02956200	1	SSAWA STOŻKOWA D38	
12	10944000	1	BENT JUNCTION D38	
13	10950200	1	ROUND BRUSH BLACK FOR 38MM BRUSH 70M	[1]
14	11027200	1	STEEL HOSE D38 MM560	
15	140 3816 020	1	NOZZLE W/BRISTLES F/38MM	
16	82245300	1	HOSE 38/3M ANTISTATIC BALL-BALL	
17	80601400	1	MULTIFIT CONNECTOR	

Part Notes:

[1] - 4072400262 antistatic version



Pos.	Numer Produktu	ilość	Opis	Notes
01	80601100	1	MACH. KIT 38MM POLYURETHANE MU	
11	L03066203	1	TRANSP.PUR H HOSE 3M/38	[1]
12	71917000	1	SS BENT JUNCTION D38	
13	82169700	1	DYSZA PŁASKA D38 X IW	
14	82167900	1	CONIC ACC D38 X IW	
15	80601400	1	MULTIFIT CONNECTOR	

Part Notes:

[1] - CONTACT PM IN ZOCCA



Pos.	Numer Produktu	ilość	Opis	Notes
01	80601200	1	MAC/FLOOR KIT 38MM POLYUR. MUL	
11	L03066203	1	TRANSP.PUR H HOSE 3M/38	[1]
12	71917000	1	SS BENT JUNCTION D38	
13	82169700	1	DYSZA PŁASKA D38 X IW	
14	82167900	1	CONIC ACC D38 X IW	
15	82168000	1	FLOOR NOZZLE D38 X IW	
16	11916000	1	SS TUBE 630MM	
17	80601400	1	MULTIFIT CONNECTOR	

Part Notes:

[1] - CONTACT PM IN ZOCCA



Pos.	Numer Produktu	ilość	Opis	Notes
01	80601300	1	MAC/FLOOR KIT 38MM RUBBER MULT	
11	82169700	1	DYSZA PŁASKA D38 X IW	
12	140 3816 020	1	NOZZLE W/BRISTLES F/38MM	
13	11027200	1	STEEL HOSE D38 MM560	
14	80956200	1	RUBBER CONDE D38	
15	10944000	1	BENT JUNCTION D38	
16	11342900	1	HOSE 38/2M RUBB. BALL-BALL	
17	80601400	1	MULTIFIT CONNECTOR	

RECOMMENDED SPARE PARTS

IVB 3 H

2014.11.27

2015.06.01

Pos.	Numer Produktu	ilość	Opis	Notes
01	42538	1	MOTOR BEARING 2 PCS	
01	47036	1	COLLAR	
01	61174	1	EARTHING CABLE	
01	302000349	1	LOCKING CLAMP	
01	302004034	1	SOCKET 16A/250V EU	
01	302001910	1	SAFETY FILTER BAG IVB-3 5 PCS	
01	26775	1	CARBON BRUSH SET L	
01	107400577	1	FILTER SUPPORT CAGE -H-SET-1	
01	107402646	1	FILTER SUPPORT CAGE ATTIX/AERO PP	
01	49594	1	TURBINA 220V	[1]
01	909100231	1	TURNING KNOB GR.1 6X5 PP GREY	
01	302000346	1	BASE PP GF15	
01	302000629	1	ELECTRONIC FLOW MEASUREME	
01	302000630	1	ELECTRONIC FLOW MEASUREMENT	
01	302000429	1	ELECTRONIC POTENTIOMETER	
01	30080	1	BALL CHAINS	
01	26784	1	MOTOR 120V 1200W	
01	302001310	1	WORKI ODZYSKU ATTIX 3 5-P	
01	107400270	1	CORD H05RR-F 3G1.5 BS1 363 GB	
01	302000565	1	WORKI FILTRUJĄCE NEUTRAL 5-P	
01	49625	1	SZCZOTKI WĘGLOWE C	[1]
01	302000460	1	USZCZELKA FILTRA	
01	302001904	1	CONTAINER IVB-3..	
01	302000459	1	GASKET FOR CONTAINER	[2]
01	302000658	1	FILTR KASETOWY D211X140 KLASA H	[3]
01	302004336	1	SOCKET 13A/250V GB	
01	47302	1	CLAMPING RING 28.6 20	
01	302001186	1	CLAMPING PLATE FLOWSENS	
01	107400579	1	PIEZO BUZZER	
01	14775	1	HOSE INLET PLUG 50MM	
01	302000490	1	FILTR GŁÓWNY D185X140 KLASA M	[4]
01	107400575	1	TURNING KNOB FOR POTI - BLACK	
01	302000605	1	FILTR GŁÓWNY D211X140 KLASA M	[4]
01	302000465	1	WHEEL D100X20	
01	107413311	1	AIR DUCT - KIT	
01	107415105	1	GUIDE ROLLER Ø60 PIN Ø11X22	
01	302001285	1	LABEL WARNING M	
01	30082	1	WOREK DO FILTRA	
01	107402641	1	PRZEWÓD ZASILAJĄCY H05RR-F 3G1.5X8X2	
01	302000428	1	CZUJNIK PRZEPŁYWU KPL.	
01	302001284	1	LABEL WARNING H	
01	302001325	1	LABEL DEDUSTING OF FILTERS	[2]

Part Notes:

- [1] - PLEASE CONTACT CARWASH DIRECTLY
- [2] - STOCK COVERS GUARANTEE
- [3] - H-CLASS
CONTACT PM IN ZOCCA
- [4] - M-CLASS

