

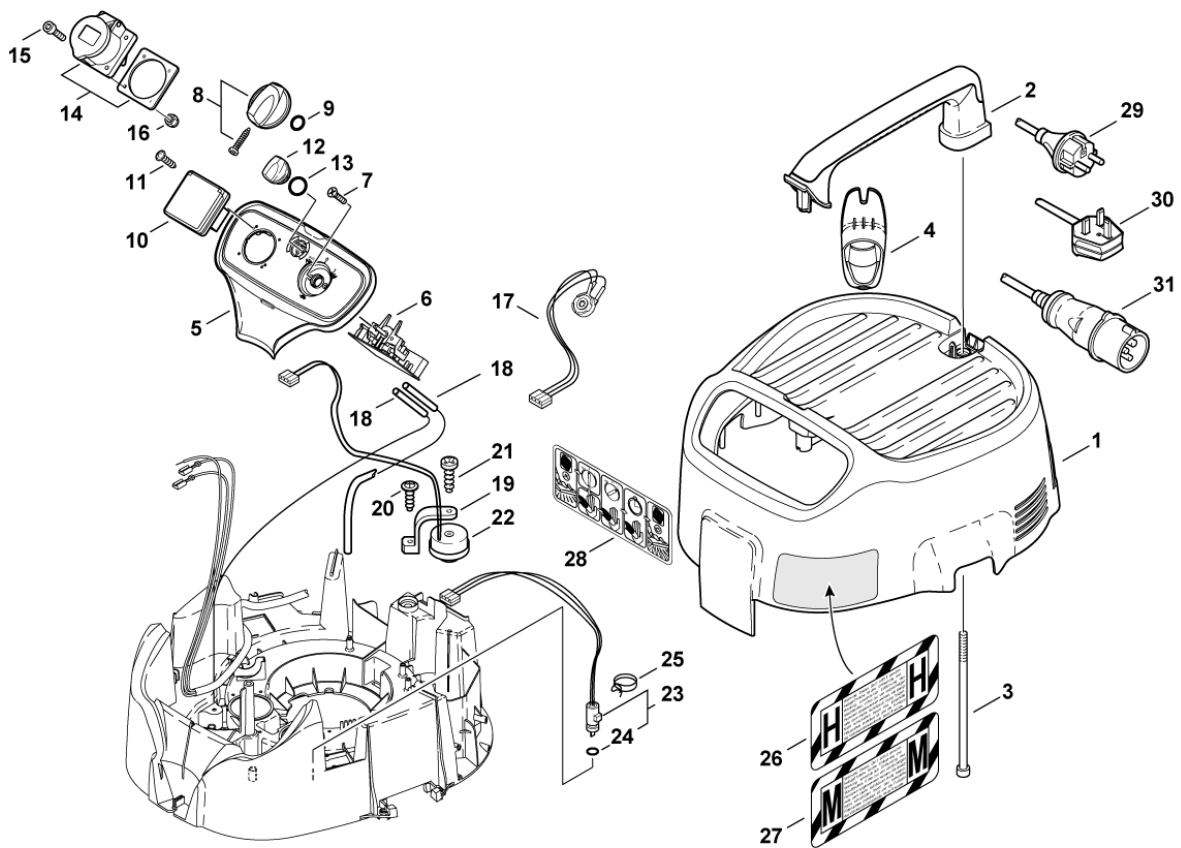
PARTS LIST



2017.07.31

TABLE OF CONTENTS

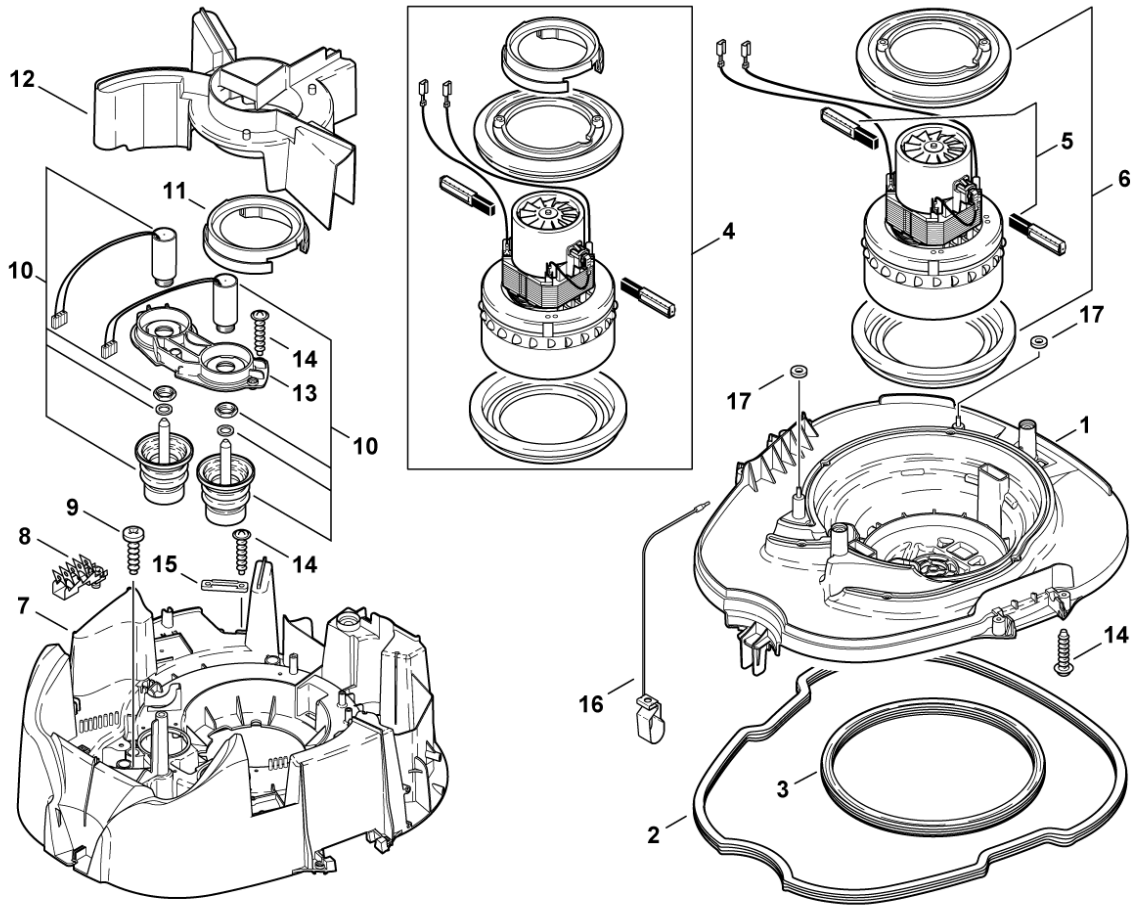
Cabinet, switch box	1
Base, motor	3
Filter, cleaning system	5
Container IVB 5	7
Container IVB 7	9
Frame	11
Antistatic kit 38 mm	13
Mach. kit 38 mm polyurethan	15
Mac/floor kit 38 mm polyurethan	17
Mac/floor 38 mm rubber	19
RECOMMENDED SPARE PARTS	21



Pos.	Numer Produktu	ilość	Opis	Notes
1	107402652	1	OBUDOWA	
2	302001914	1	HANDLE SUBASSEMBLE	
3	909100084	2	SCREW M6X140	
4	302000380	1	KLIPS	
5	302000375	1	SKRZYNKA WYŁĄCZNIKÓW	
5	302001921	1	LABEL NILFISK IVB 7-M/B1 PC	
5	302001888	1	LABEL NILFISK IVB 5-H-M PC	
6	302001426	1	ELECTRONIC FLOW MEASUREMENT XC 110-120V	[1]
6	302001427	1	ELECTRONIC FLOW MEASUREMENT XC 220-240V	
7	18274	2	COUNTERSUNK SCREW M4X12	
8	909100231	1	TURNING KNOB GR.1 6X5 PP GREY	
9	9868	1	O-RING 10.2X2.5 NBR 70	
10	302004034	1	SOCKET 16A/250V EU	
10	302004336	1	SOCKET 13A/250V GB	
11	11256	2	SCREW 3.5X18	
12	107400575	1	TURNING KNOB FOR POTI - BLACK	
13	107400576	1	O-RING 21X1.5	
14	107402842	1	OUTLET 2P AND PE 16A 110V	
15	50598	4	SCREW M5X20	
16	7417	4	HEXAGON THIN NUT	
17	302000429	1	ELECTRONIC POTENTIOMETER	
18	107411687	1	SILIKON HOSE D3X1.5 2METER - KIT	
19	25871	1	BRACKET	
20	11254	1	SCREW 3.5X10 WN1411	
21	14418	1	SCREW 4.2X13 ISO 7049	
22	107400579	1	PIEZO BUZZER	
23	302000428	1	CZUJNIK PRZEPŁYWU KPL.	
24	55416	1	O-RING 4.0x1.5 NBR70	
25	107400578	1	HOSE CLAMP D10	
26	302001284	1	LABEL WARNING H	
27	302001285	1	LABEL WARNING M	
28	302000955	1	LABEL	
29	107402641	1	PRZEWÓD ZASILAJĄCY H05RR-F 3G1.5X8X2	
30	107400270	1	CORD H05RR-F 3G1.5 BS1 363 GB	
31	302000692	1	POWER CORD H07BQ-F3G1.5X8.2 CE	

Part Notes:

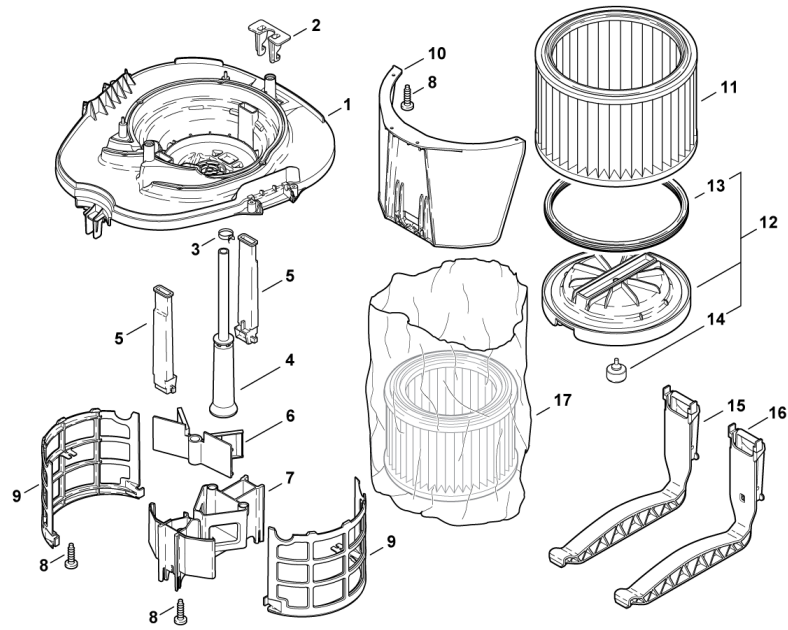
[1] - STOCK COVERS GUARANTEE



Pos.	Numer Produktu	ilość	Opis	Notes
1	107413315	1	BASE PLATE - KIT	
2	302000637	1	GASKET FOR CONTAINER ATTIX 5-7	[1]
3	302000697	1	USZCZELKA FILTRA CR	
4	26784	1	MOTOR 120V 1200W	
4	49594	1	TURBINA 220V	[2]
5	49625	1	SZCZOTKI WĘGLOWE C	[2]
5	26775	1	CARBON BRUSH SET L	
6	42538	1	MOTOR BEARING 2 PCS	
6	28875	1	RING	
7	302001657	1	SUPPORTING PLATE 56	
8	302004031	1	DISTRIBUTION STRIP 6-POL 16A	
9	909100138	8	SCREW 5X20	
10	107402635	2	ELEKTROMAGNES 24V	
10	302000217	2	ELECTROMAGNET 12V	
11	107410490	1	COLLAR	
12	302000373	1	AIR CONDUCTION ATTIX 5-7 PP	
13	302000388	1	FRAME 190X90X18 PP	
14	11256	1	SCREW 3.5X18	
15	5697	1	STRAP 3X8X33	
16	61174	1	EARTHING CABLE	
17	62359	2	GASKET 9X4X1	

Part Notes:

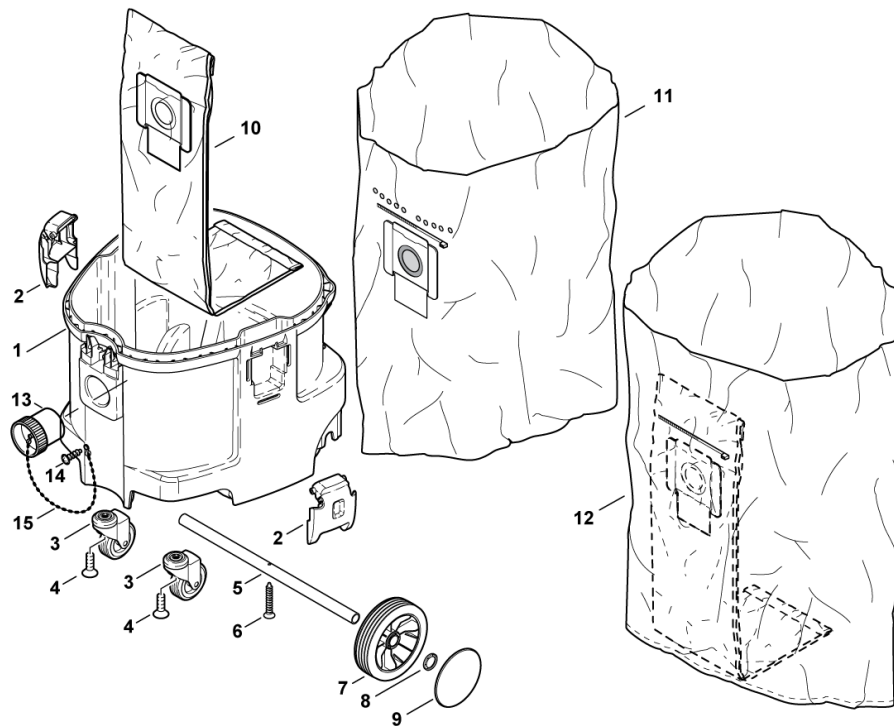
- [1] - STOCK COVERS GUARANTEE
 [2] - PLEASE CONTACT CARWASH DIRECTLY



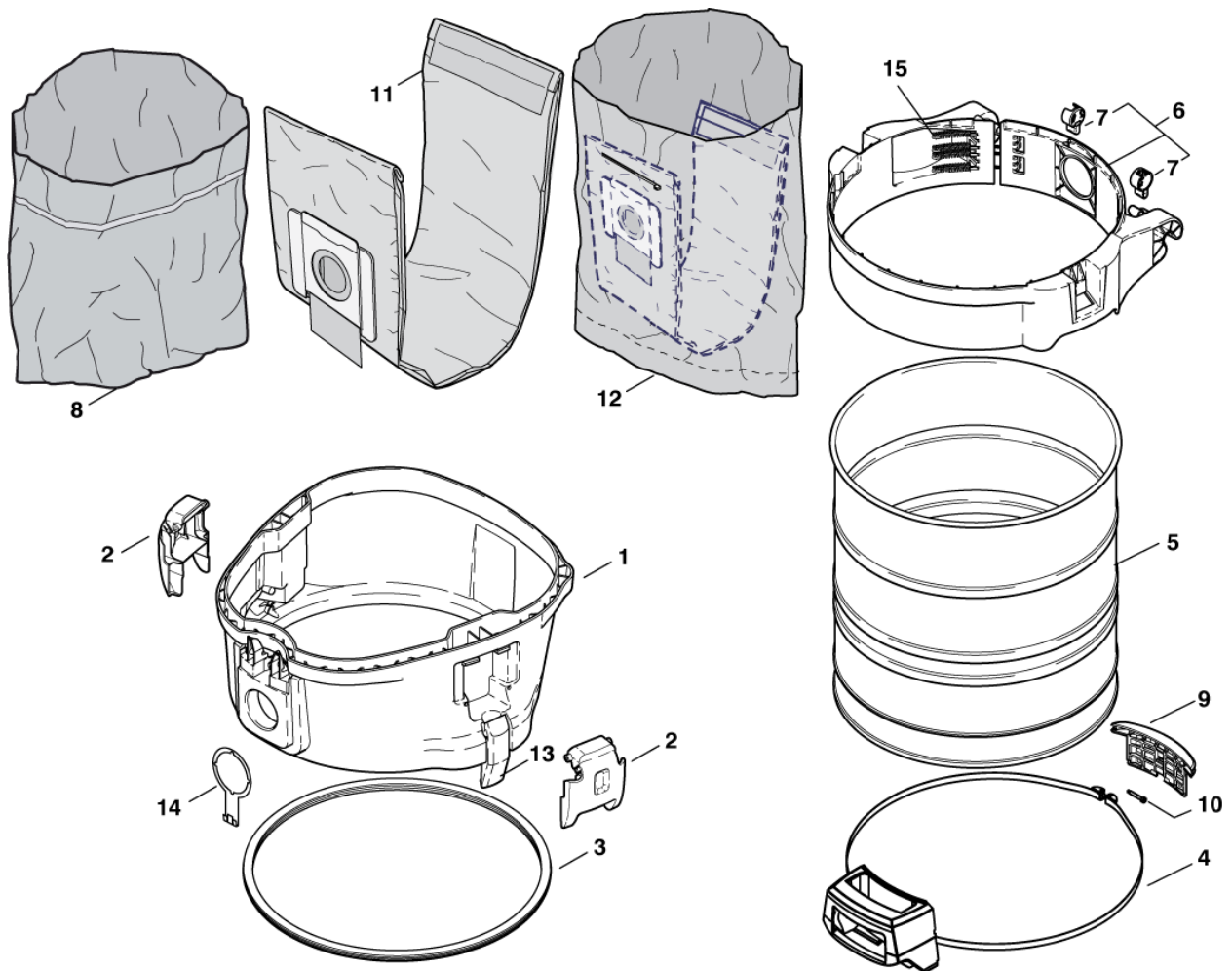
Pos.	Numer Produktu	ilość	Opis	Notes
1	107413315	1	BASE PLATE - KIT	
2	107413313	1	FIXTURE 72X32X52 - KIT	
3	909100137	1	BAND CLAMP FITTING 19	
4	303000516	1	HOSE 40X335	
4	302001473	1	WAŻ D40X396	
5	302000514	2	GASKET	
K1	107412690	1	COVER WITH FLAP ATTIX 560	[1]
8	909100138	9	SCREW 5X20	
9	302000385	2	OSŁONA FILTRA	
10	107402640	1	DEFLECTOR 318X180X212 KIT	
11	107400564	1	FILTR GŁÓWNY D275X187 KLASA H	[2]
11	107400562	1	FILTR GŁÓWNY D275X187 KLASA M	[3]
11	302000751	1	WKŁAD FILTRA Ø275X185 PET M-CLASS	[3]
12	107402653	1	FILTER RETAINING PLATE D251	
13	302000697	1	USZCZELKA FILTRA CR	
14	302000515	1	PLUG Ø 33X37	
15	107402651	1	TENSION JACK	
16	302001139	1	TENSION JACK H	
17	30082	1	WOREK DO FILTRA	

Part Notes:

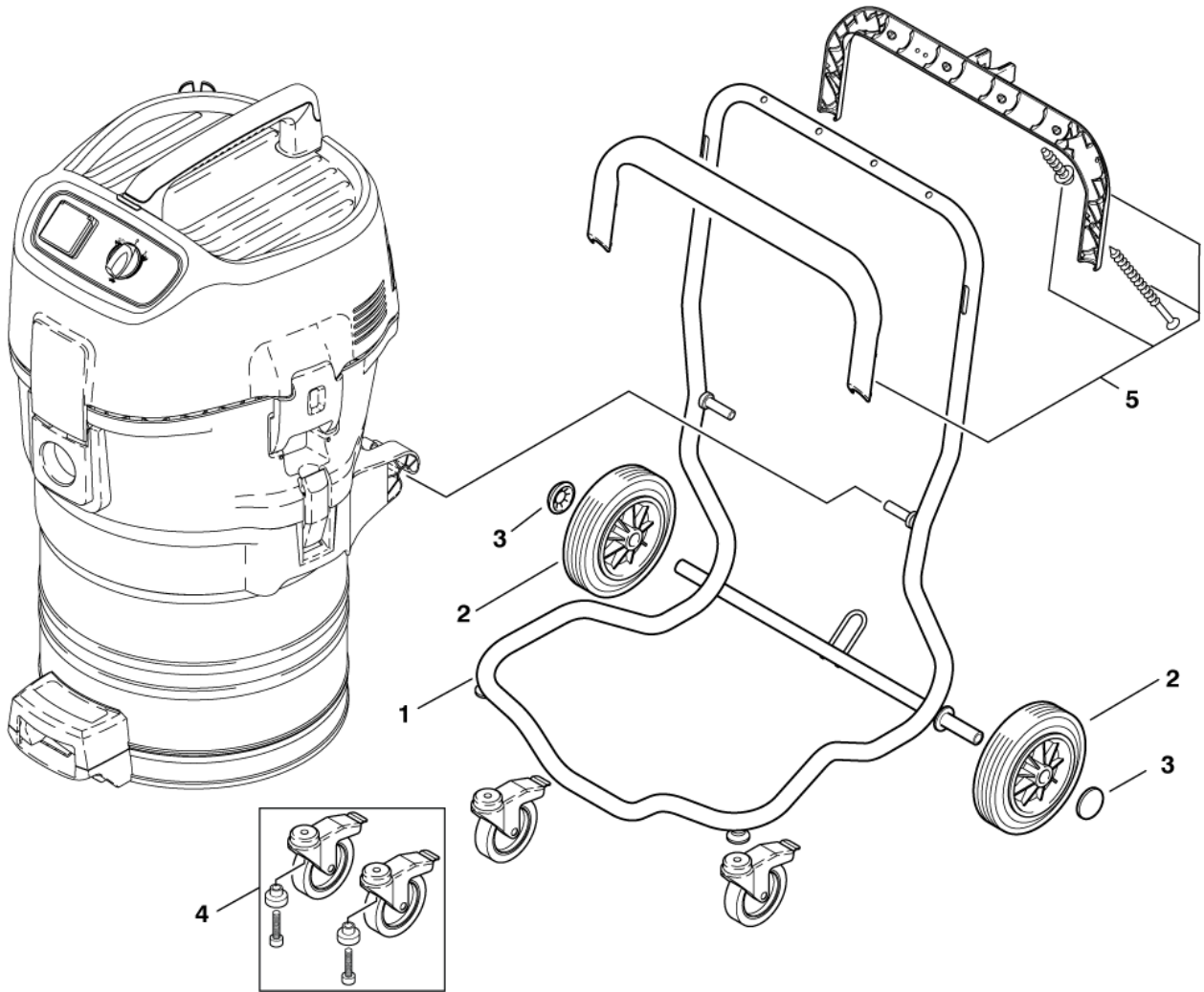
- [1] - Includes pos. 6 + 7
 [2] - H-Class
 [3] - M-Class



Pos.	Numer Produktu	ilość	Opis	Notes
01	302001905	1	CONTAINER IVB-5.	
02	302000349	2	LOCKING CLAMP	
03	107409103	1	CASTOR D75X100 2 PCS.	
04	909100164	2	COUNTERSUNK SCREW M8X25 ISO 10642 A2	
05	107402649	1	AXLE 20X1.5X440	
06	909100085	1	EJOT SCREW KA50X35 WN1413 ST/ZN	
07	302000639	2	WHEEL D150X20 BLACK	
08	47302	2	CLAMPING RING 28.6 20	
09	302001322	2	HUB CAP	
10	302001138	1	WORKI FILTRUJĄCE ATTIX 560 5-P	
11	302001311	1	DISPOSAL BAG IVB-5 5 PCS	
12	302001143	1	SAFETY FILTER BAG ATTIX 560 SET5	
13	14775	1	HOSE INLET PLUG 50MM	
14	24738	2	SCREW KA35X 8 WN1411	
15	30080	1	BALL CHAINS	



Pos.	Numer Produktu	ilość	Opis	Notes
01	302001883	1	ADAPTERRING	
02	302000349	2	LOCKING CLAMP	
03	302001432	1	USZCZELKA CONTAINER	
04	302001605	1	HANDLE W/ TAPE	
05	107402657	1	CONTAINER R408X430SS	
06	302002038	1	BELT CONTAINER D480 IVB-7	
07	302001441	2	ZACZEP	
08	302001480	1	WOREK DO USUWANIA ŚMIECI ATTIX7/9 5 SZT	
09	302001363	1	CONTAINER STOPPER ATTIX 7	
10	302001613	1	SCREW M5X35X5 TO ATTIX7	
11	302001909	1	WORKI FILTRUJĄCE 7 SERIA 5 Szt.	
12	302001912	1	SAFETY FILTER BAG IVB-7 5 PCS	
13	19880	1	KLAMRA	
14	107400145	1	ŁĄCZNIK UZIEMIAJĄCY	
15	909100383	1	SPRING 1.40X7.5X113	



Pos.	Numer Produktu	ilość	Opis	Notes
01	302001437	1	RAMA WÓZKA ATTIX 7	
02	107401077	2	WHEEL 200X50 KIT	
03	3750	2	KAPSEL KOŁA D20	
04	107401054	1	CASTOR TURNABLE WITH BRAKE KIT	
05	302001706	1	HANDELBAR KIT-1	



Pos.	Numer Produktu	ilość	Opis	Notes
01	80601000	1	ANTISTAT KIT 38MM	
11	L02956200	1	SSAWA STOŻKOWA D38	
12	10944000	1	BENT JUNCTION D38	
13	10950200	1	ROUND BRUSH BLACK FOR 38MM BRUSH 70M	[1]
14	11027200	1	STEEL HOSE D38 MM560	
15	140 3816 020	1	NOZZLE W/BRISTLES F/38MM	
16	82245300	1	HOSE 38/3M ANTISTATIC BALL-BALL	
17	80601400	1	MULTIFIT CONNECTOR	

Part Notes:

[1] - 4072400262 antistatic version



Pos.	Numer Produktu	ilość	Opis	Notes
01	80601100	1	MACH. KIT 38MM POLYURETHANE MU	
11	L03066203	1	TRANSP.PUR H HOSE 3M/38	[1]
12	71917000	1	SS BENT JUNCTION D38	
13	82169700	1	DYSZA PŁASKA D38 X IW	
14	82167900	1	CONIC ACC D38 X IW	
15	80601400	1	MULTIFIT CONNECTOR	

Part Notes:

[1] - CONTACT PM IN ZOCCA



Pos.	Numer Produktu	ilość	Opis	Notes
01	80601200	1	MAC/FLOOR KIT 38MM POLYUR. MUL	
11	L03066203	1	TRANSP.PUR H HOSE 3M/38	[1]
12	71917000	1	SS BENT JUNCTION D38	
13	82169700	1	DYSZA PŁASKA D38 X IW	
14	82167900	1	CONIC ACC D38 X IW	
15	82168000	1	FLOOR NOZZLE D38 X IW	
16	11916000	1	SS TUBE 630MM	
17	80601400	1	MULTIFIT CONNECTOR	

Part Notes:

[1] - CONTACT PM IN ZOCCA



Pos.	Numer Produktu	ilość	Opis	Notes
01	80601300	1	MAC/FLOOR KIT 38MM RUBBER MULT	
11	82169700	1	DYSZA PŁASKA D38 X IW	
12	140 3816 020	1	NOZZLE W/BRISTLES F/38MM	
13	11027200	1	STEEL HOSE D38 MM560	
14	80956200	1	RUBBER CONDE D38	
15	10944000	1	BENT JUNCTION D38	
16	11342900	1	HOSE 38/2M RUBB. BALL-BALL	
17	80601400	1	MULTIFIT CONNECTOR	

RECOMMENDED SPARE PARTS

IVB 5 M

2014.11.27

2016.06.06

Pos.	Numer Produktu	ilość	Opis	Notes
01	14775	1	HOSE INLET PLUG 50MM	
01	30082	1	WOREK DO FILTRA	
01	47302	1	CLAMPING RING 28.6 20	
01	61174	1	EARTHING CABLE	
01	107401054	1	CASTOR TURNABLE WITH BRAKE KIT	
01	302001138	1	WORKI FILTRUJĄCE ATTIX 560 5-P	
01	302000751	1	WKŁAD FILTRA Ø275X185 PET M-CLASS	[1]
01	909100231	1	TURNING KNOB GR.1 6X5 PP GREY	
01	302001284	1	LABEL WARNING H	
01	107400145	1	ŁĄCZNIK UZIEMIAJĄCY	
01	302001432	1	USZCZELKA CONTAINER	
01	49625	1	SZCZOTKI WĘGLOWE C	[2]
01	302001143	1	SAFETY FILTER BAG ATTIX 560 SET5	
01	107400575	1	TURNING KNOB FOR POTI - BLACK	
01	107400270	1	CORD H05RR-F 3G1.5 BS1 363 GB	
01	302000511	1	BASE	
01	302001311	1	DISPOSAL BAG IVB-5 5 PCS	
01	107402635	1	ELEKTROMAGNES 24V	
01	26784	1	MOTOR 120V 1200W	
01	3750	1	KAPSEL KOŁA D20	
01	302000692	1	POWER CORD H07BQ-F3G1.5X8.2 CE	
01	302001426	1	ELECTRONIC FLOW MEASUREMENT XC 110-120V	[3]
01	302001480	1	WOREK DO USUWANIA ŚMIECI ATTIX7/9 5 SZT	
01	302000349	1	LOCKING CLAMP	
01	302000429	1	ELECTRONIC POTENTIOMETER	
01	302004336	1	SOCKET 13A/250V GB	
01	55416	1	O-RING 4.0x1.5 NBR70	
01	302000385	1	OSŁONA FILTRA	
01	107402651	1	TENSION JACK	
01	302000373	1	AIR CONDUCTION ATTIX 5-7 PP	
01	107413313	1	FIXTURE 72X32X52 - KIT	
01	302001139	1	TENSION JACK H	
01	49594	1	TURBINA 220V	[2]
01	302001441	1	ZACZEP	
01	302000637	1	GASKET FOR CONTAINER ATTIX 5-7	[3]
01	302001657	1	SUPPORTING PLATE 56	
01	107400564	1	FILTR GŁÓWNY D275X187 KLASA H	[4]
01	302000955	1	LABEL	
01	302000428	1	CZUJNIK PRZEPŁYWU KPL.	
01	62359	1	GASKET 9X4X1	
01	107402641	1	PRZEWÓD ZASILAJĄCY H05RR-F 3G1.5X8X2	
01	302001912	1	SAFETY FILTER BAG IVB-7 5 PCS	
01	107412690	1	COVER WITH FLAP ATTIX 560	
01	107400579	1	PIEZO BUZZER	
01	42538	1	MOTOR BEARING 2 PCS	
01	909100164	1	COUNTERSUNK SCREW M8X25 ISO 10642 A2	
01	302001285	1	LABEL WARNING M	
01	107409103	1	CASTOR D75X100 2 PCS.	
01	107411687	1	SILIKON HOSE D3X1,5 2METER - KIT	
01	302001427	1	ELECTRONIC FLOW MEASUREMENT XC 220-240V	
01	302004034	1	SOCKET 16A/250V EU	
01	302000217	1	ELECTROMAGNET 12V	
01	107401077	1	WHEEL 200X50 KIT	
01	302000639	1	WHEEL D150X20 BLACK	
01	302000697	1	USZCZELKA FILTRA CR	
01	302001909	1	WORKI FILTRUJĄCE 7 SERIA 5 Szt.	
01	302001613	1	SCREW M5X35X5 TO ATTIX7	

Part Notes:

- [1] - M-CLASS
- [2] - PLEASE CONTACT CARWASH DIRECTLY
- [3] - STOCK COVERS GUARANTEE
- [4] - H-CLASS

