

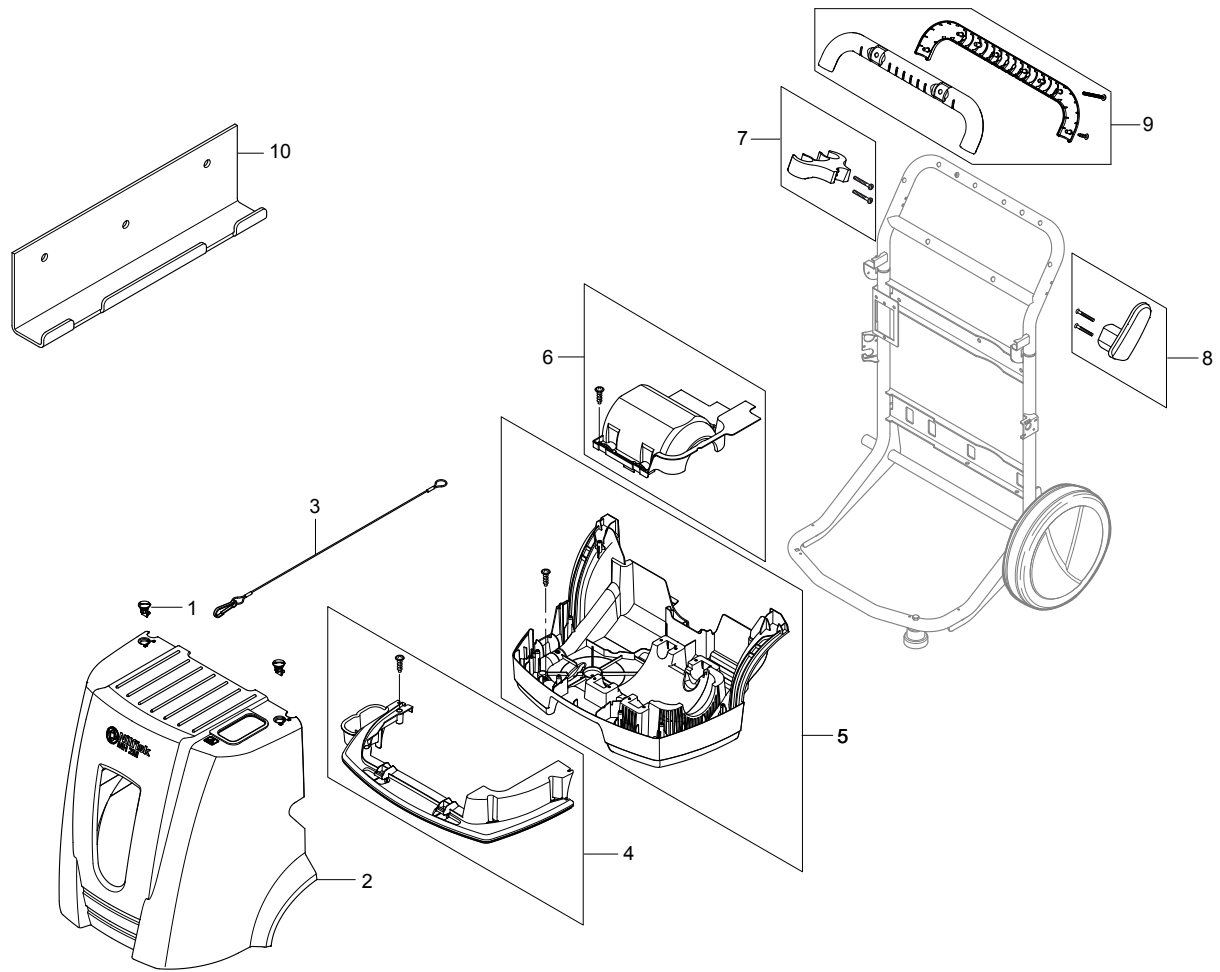
PARTS LIST



2017.03.10

TABLE OF CONTENTS

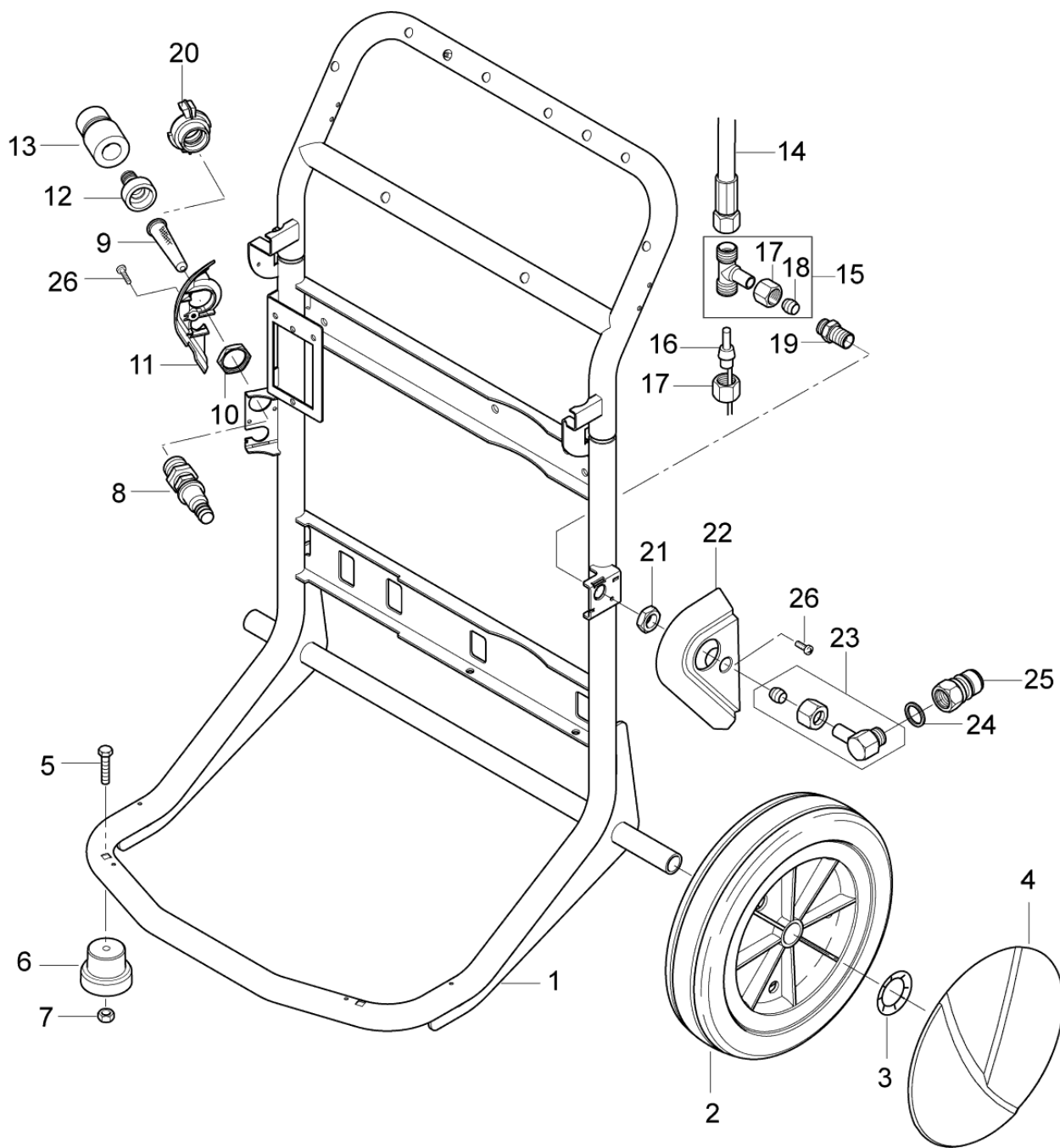
Cabinet.....	1
Frame	3
Fueltank and detergent tank.....	5
Water tank.....	7
Motor.....	9
Pump 1 (1ph).....	11
Pump 2 (3ph).....	14
Electric box.....	17
Distributor, Flow switch.....	20
Fan.....	22
Boiler.....	24
Burner unit, ignition transformer.....	26
Hose reel.....	28
Default accessories.....	30
Anti-scale.....	32
107145337 - Sandfilter NEPTUNE 1 + 2.....	34
Recommended Spare Parts.....	36



Pos.	Numer Produktu	ilość	Opis	Notes
00	107145200	1	CARDBOARD BOX NEPTUNE 2	[1]
1	301001261	2	LOCKING BOLT D29X35	
2	101117713	1	MH 2C COVER WITH PRINTING	
3	101117711	1	WIRE FOR COVER	
4	101118000	1	FRONT BUFFER TOP KIT	
5	101117999	1	FRONT BUFFER BOTTOM KIT	
6	101117668	1	MOTOR COVER	
7	101117666	1	TOP LANCE HOLDER KIT	
8	101117682	1	HOOK FOR HOSE COMP	
9	101117665	1	HANDLE KIT - NEPTUNE 2	
10	107145347	1	WALL MOUNTING BRACKET KIT	[2]

Part Notes:

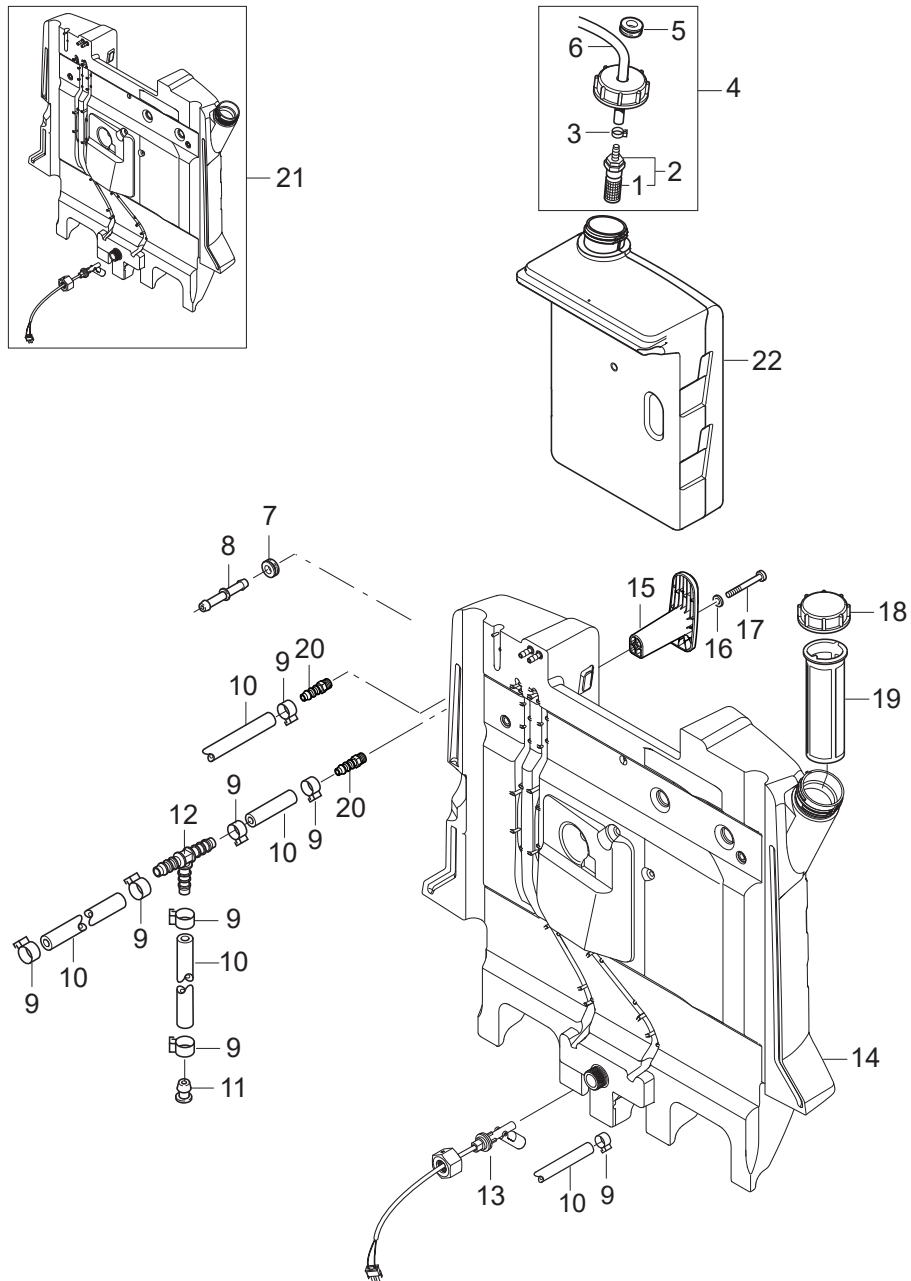
- [1] - shipping box for Neptune 2
- [2] - accessory
CONTACT PROD. MGMT.



Pos.	Numer Produktu	ilość	Opis	Notes
1	101117742	1	FRAME CPL. NEPTUNE2	
2	6184074	2	KÓŁKO D300	
3	46363	2	CLAMPING RING D25	
4	301001077	2	KOŁPAK	
5	101117745	2	M8 X 45 ISO 7380 FZB603	
6	101117743	2	SUSTAINER	
7	61467	2	HEXAGON NUT M8	
8	6100937	1	FILTER HOUSING	
9	6100941	1	FILTR	
10	1800341	1	LOCK NUT 3/4IN	
11	101117679	1	COVER FOR INLET COMP	
12	106404529	1	GARDENA COUPLING MALE 3/4" ACCESSORY	
13	1602945	1	SZYBKOZŁĄCZE 3/4 Z USZCZELKĄ	
14	101117740	1	HP HOSE 295MM	
15	101118093	1	TROJNIK M18 X 1.5	
16	101117741	1	TEMP SENSOR WITH CABLE	
17	1081	2	NAKRĘTKA L12 DIN 3870-A ST/ZN	
18	1080	1	PIERŚCIEŃ L12 B DIN 3861 ST/ZN	[1]
19	101117744	1	FITTING FOR OUTLET	
20	1718	1	ZŁĄCZE GEKA GWINT WEW. 3/4"	
21	1803220	1	HEXAGON NUT M18X1.5 ISO 8675 ZN	
22	101117680	1	COVER FOR OUTLET COMP	
23	101117681	1	ANGLE FITTING COMP	
24	1801075	1	PIERŚCIEŃ USZCZ. 23.8X17.2X2 3/8	
25	1600493	1	ZŁĄCZE MĘSKIE ERGO 3/8"	
26	1803030	2	SCREW CROSS M5 X 12 FZB DIN7985	

Part Notes:

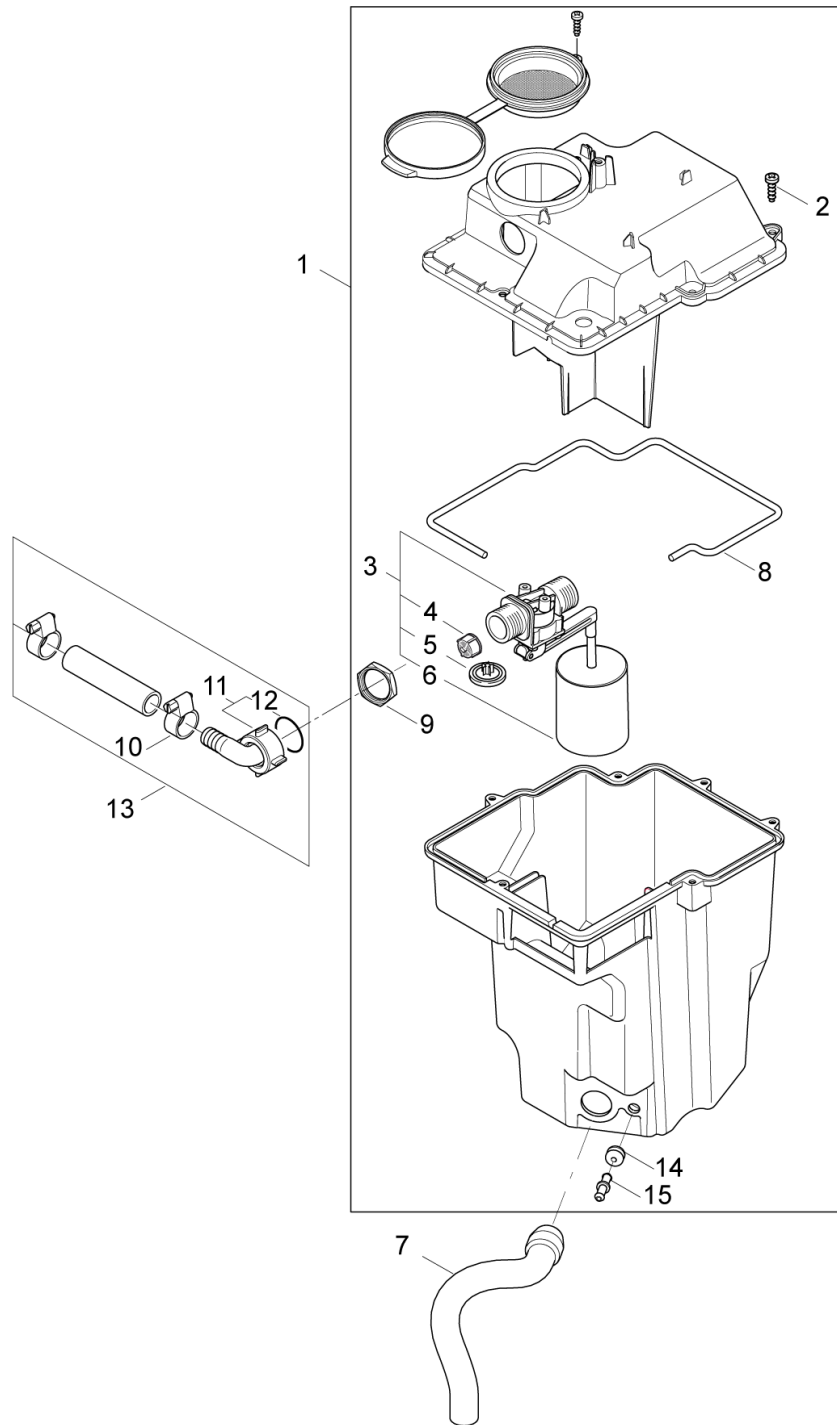
[1] - PLEASE CONTACT CARWASH DIRECTLY



Pos.	Numer Produktu	ilość	Opis	Notes
0-	101117934	1	WARNING LABEL HOT	
1		1	Part of pos. 2	
2	107145440	1	STRAINER VALVE COMPL. KIT	
3	301001133	1	HOSE CLAMP 10/7	
4	101117750	1	DETERGENT HOSEW/CAP AND FILTER	
5	101117749	1	CABLE GROMMET	
6	106408243	1	HOSE 1/4INCH TRANSPARENT - 5 METERS	
7	101117753	2	GROMMET 60/110/50 NEOPREN	[1]
8	101117748	2	PLUG FOR D6 / D10 HOSE	[2]
9	301001133	9	HOSE CLAMP 10/7	
10	106408244	1	HOSE D6X2.5 - 5 METERS	
11	101117751	1	VENTILATIONS PLUG FOR 6/10 HOSE	
12	101117794	1	T CONNECTOR PIECE D6	
13	101118007	1	LEVEL SENSOR KIT	
14	101118006	1	FUEL TANK COMPLETE KIT	[3]
15	101117678	2	CABLE HOOK COMP	
16	1800440	2	WASHER -1101320 -1103440	
17	31410	2	SCREW M6 X 50 DIN 912 8.8 FZG	
18	101117752	1	CAP FOR FUEL TANK	
19	1604222	1	STRAINER	
20	101117795	1	HOSE FITTING FOR FUEL TANK	[4]
21	101118043	1	KIT F. FUEL TANK W LEV. SENS. AND DIAGR.	[5]
22	101117920	1	DETERGENT TANK NEPTUNE 2	

Part Notes:

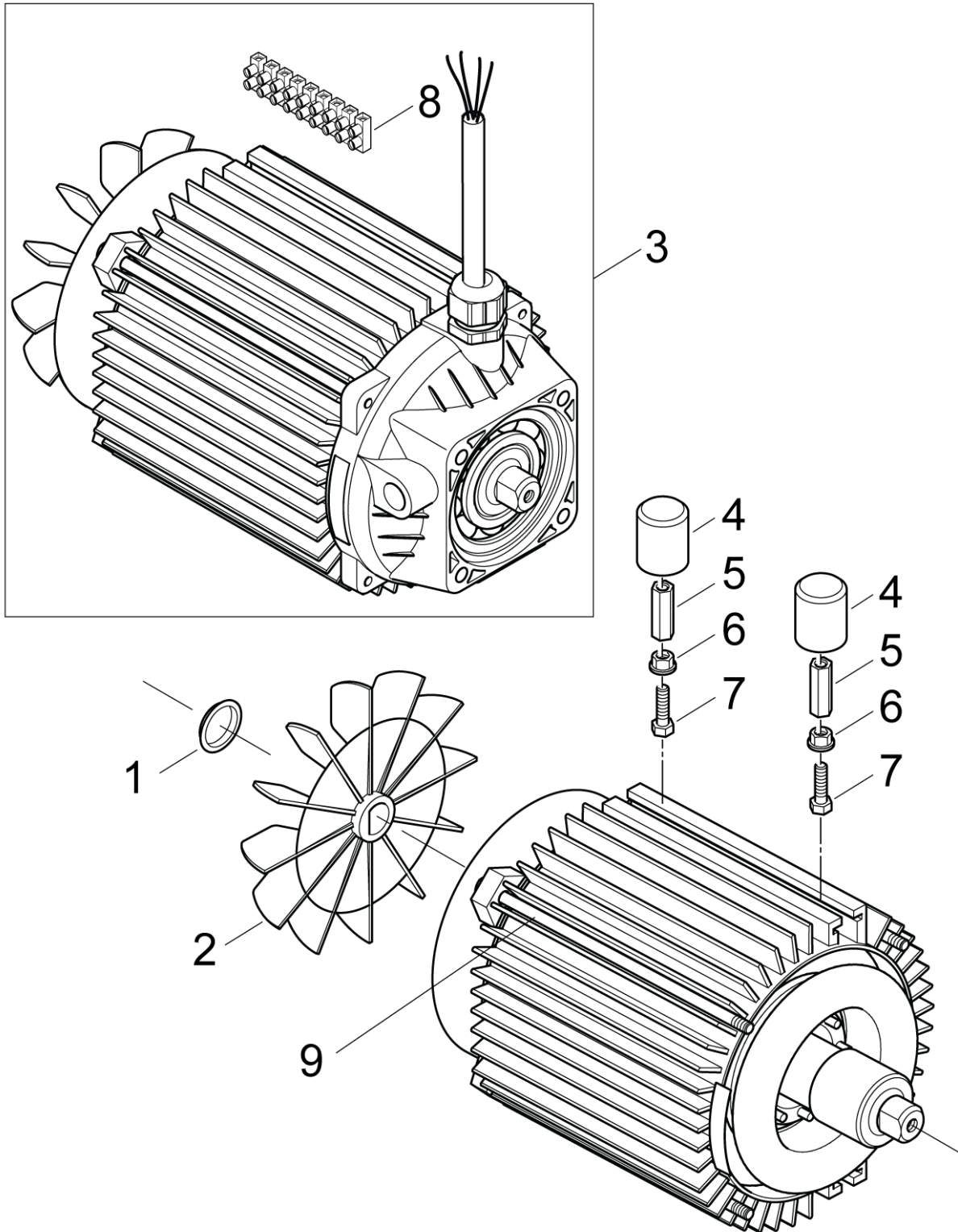
- [1] - up to 12.08
STOCK COVERS GUARANTEE
- [2] - up to 12.08
- [3] - SEE TSB-PPW-2009-006TSB-PPW-2009-006. Nep1 and 2 fuel tank leak
- [4] - From 12.08 and up to 12.09
- [5] - Upgrade kit



Pos.	Numer Produktu	ilość	Opis	Notes
1	101117669	1	WATER BREAK TANK COMP.	
2	107141838	6	SCREW K50X18 WN1451 BLACK TORX20	
3	101117784	1	ZAWÓR	[1]
4	34218	1	FILTER FOR FLOAT VALVE Ø19 KU	
5	62878	1	MEMBRANE RUBBER	
6	62877	1	SWIMMER Ø 55X60	
7	101117670	1	SUCTION HOSE KIT.	
8	101117796	1	SILICONE GASKET D3X1	
9	101117785	1	LOCK NUT 3/4	
10	8298	2	HOSE CLIP 16-27	
11	5613	1	HOSE NOZZLE Ø16 90 DEGREE 3/4 INCH KU	
12	15587	1	PACKING RING 14X24X2 RUBBER	
13	101117671	1	INLET HOSE KIT	
14	101117781	1	CABLE GROMMET 60/90/40	
15	101117748	1	PLUG FOR D6 / D10 HOSE	

Part Notes:

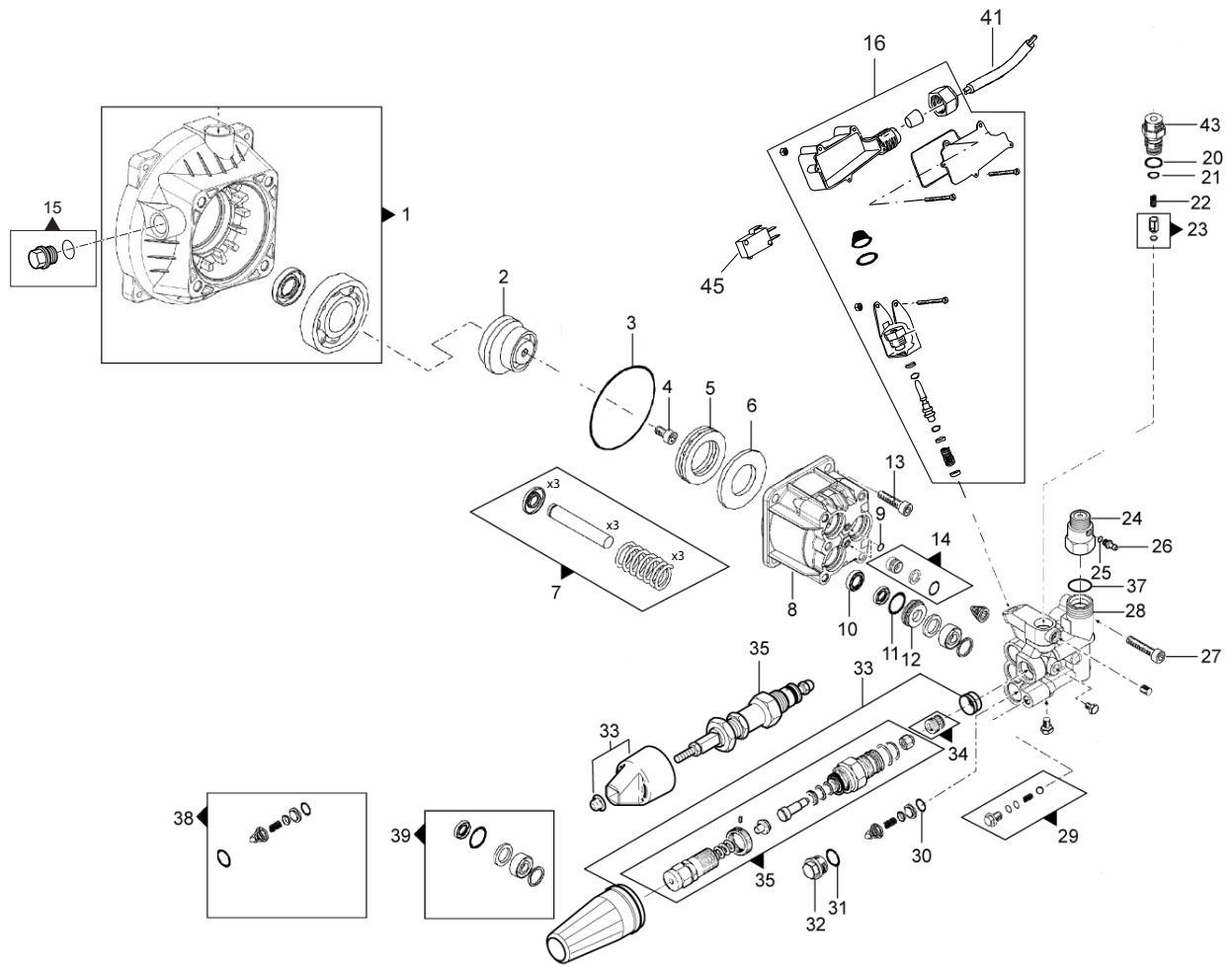
[1] - See instruction Floatvalve



Pos.	Numer Produktu	ilość	Opis	Notes
1	301001112	1	FASTENING RING	[1]
1	31000510	1	MOTOR FAN INCL FASTENING RING	[2]
2	31000510	1	MOTOR FAN INCL FASTENING RING	[2]
2	101117774	1	MOTOR FAN	[1]
3	101117764	1	MOTOR 3 KW 3X230-400/50	[3]
3	101117766	1	MOTOR 2 KW 1X230/50	[4]
3	101117956	1	MOTOR 3.7 KW 200V 3PH 50/60HZ JP	[5]
3	101117936	1	MOTOR 1.0 KW 1X115/60	[6]
3	101117937	1	MOTOR 4.0 KW 220-440/3PH/60HZ	[7]
3	101117935	1	MOTOR 2.0 KW 1X220/60HZ	[8]
3	101117765	1	MOTOR 4 KW 3X230-400/50	[9]
4	301002298	2	SUSPENSION	
5	301002303	2	SPACER POSEIDON 3	
6	61467	2	HEXAGON NUT M8	
7	27372	2	HEX. SCREW VERBUS M8X20 DIN 6921	
8	101117839	1	TERMINAL PLUG AND TERMINAL PINS	
8	101117840	1	MOTOR CABLE 1PH	
8	101117841	1	MOTOR CABLE 3PH	
8	101117842	1	MOTOR CABLE 3PH NO	[10]
9	31000506	1	STAY BOLT M5X186 RF	

Part Notes:

- [1] - EME – has EME letter on the motor type plate
- [2] - - RF – has Nifisk letter on the motor type plate, includes position 1 and 2
- [3] - 2-33 – MH 2C 170/690
- [4] - 2-25 – MH 2C 125/600
2-26 – MH 2C 145/600
- [5] - JP
- [6] - 1x115/60, US
STOCK COVERS GUARANTEE
- [7] - 220-440/3/60
STOCK COVERS GUARANTEE
- [8] - 1x220/60, US,KR
- [9] - 2-41 – MH 2C 190/780
- [10] - NO, US



Pos.	Numer Produktu	ilość	Opis	Notes
0-	909100414	1	PUMP OIL ROTHATH 1L	[1]
1	31000491	1	D-BEARING COVER FOR GXR PUMP RF	
2	301002567	1	WOBBLE DISC 10	[2]
2	101117939	1	WOBBLE DISC 8 DGR.	[3]
2	101117771	1	WOBBLE DISC 11.25 DEG. Z	[4]
2	101117954	1	WOBBLE DISC 7.5 DEG	[5]
2	301002568	1	DYSK RUCHOMY 9.5	[6]
3	909100431	1	-RING 85.0x3.0 SMS 1586 NBR70	
4	106162887	1	SCREW M8X20 UNI 5931-8.8	
5	909100432	1	ROLLER BEARING 51109 DIN711	
6	301002557	1	DYSK	
7	101117807	1	PISTON KIT FOR GXR CERAMIC 3 PCS	
8	301002560	1	PUMP HOUSING 1PH	
9	6480272	2	O-RING 2.9x1.78 ARP AS 568 A NBR70	
10	301002569	3	USZCZELNIENIE	
11	106163024	3	O-RING 1.78X20.35 NBR 70SH	
12	301002570	3	PACKING RING Ø14/28X11.5	
13	106162887	4	SCREW M8X20 UNI 5931-8.8	
14	106162567	3	SUCTION VALVE PLUG KIT	
15	101117918	1	OIL CAP KIT	[7]
15	101117786	1	OIL CAP KIT	[8]
16	101117656	1	OBUDOWA	
20	3002029	1	O-RING 12.42X1.78 NITRIL 70 SH	
21	103004325	1	O-RING 15.6X1.78 ARP AS 568 A EPDM70	
22	909100428	1	SPRĘŻYNA Ø 8X10	
23	106162556	1	ZAWÓR	
24	101117769	1	DETERGENT INLET FOR GXD	
25	101117776	1	O-RING 6.35X1.78 NBR 70	
26	101117984	1	SUCTION FITTING D1.7	
26	101117953	1	SUCTION FITTING D2.0	[9]
27	9543	4	CYLINDER SCREW M8X55 ISO 4762 ST 8.8/ZN	
28	301002545	1	VALVE BLOCK	
29	301003095	1	KIT EASY START FROM JULY 2006	
30	3002029	6	O-RING 12.42X1.78 NITRIL 70 SH	
31	3002045	6	O-RING 17.17X1.78 NITRIL 70 S	
32	301002544	6	PLUG	
33	62397	1	ROTARY KNOB	[10]
33	101117693	1	HANDLE CPL.	
34	101117686	1	VALVE SEAT KIT	
35	101117685	1	Regulation Valve assy	
35	101117917	1	END STOP VALVE	[10]
37	3001237	1	GASKET Ø24.5XØ16X3 NITRIL 80SH	
38	301002562	1	KOMPLET ZAWORÓW (6 SZT)	
39	301002561	1	ZESTAW NAPRAWCZY	[11]
41	101117772	1	CABLE FOR PRESSURE SWITCH	
43	101117687	1	INJECTOR BODY	
45	301002325	1	MICRO SWITCH	

Part Notes:

- [1] - 0,18 l
- [2] - US, Exp.
- [3] - 2-26 – MH 2C 145/600 KR
- [4] - 2-25 – MH 2C 125/600
- [5] - 2-20, 115/60/20 US
- [6] - 2-26 – MH 2C 145/600
- [7] - See TSB-PPW-2010-010 oil cap
- [8] - Up to Serial number: 2009887928/29/09
- [9] - JP + KR + EXPT + AU (2-16)
- [10] - From Serie no. 2010929318

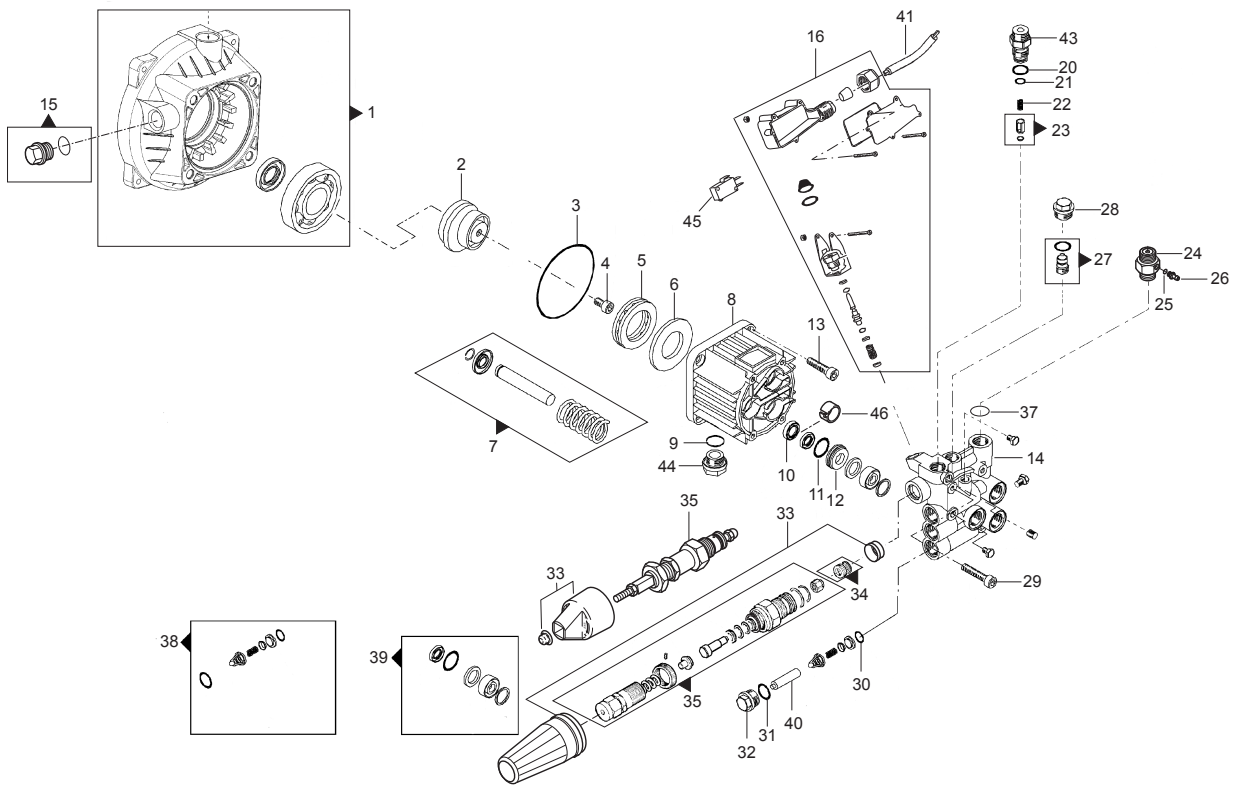
Pump 1 (1ph)

NEPTUNE 2-26 / MH 2C 145/600

2016.11.10

2017.02.10

[11] - 1 PH USE PN 31000343 - 3PH USE 31001029

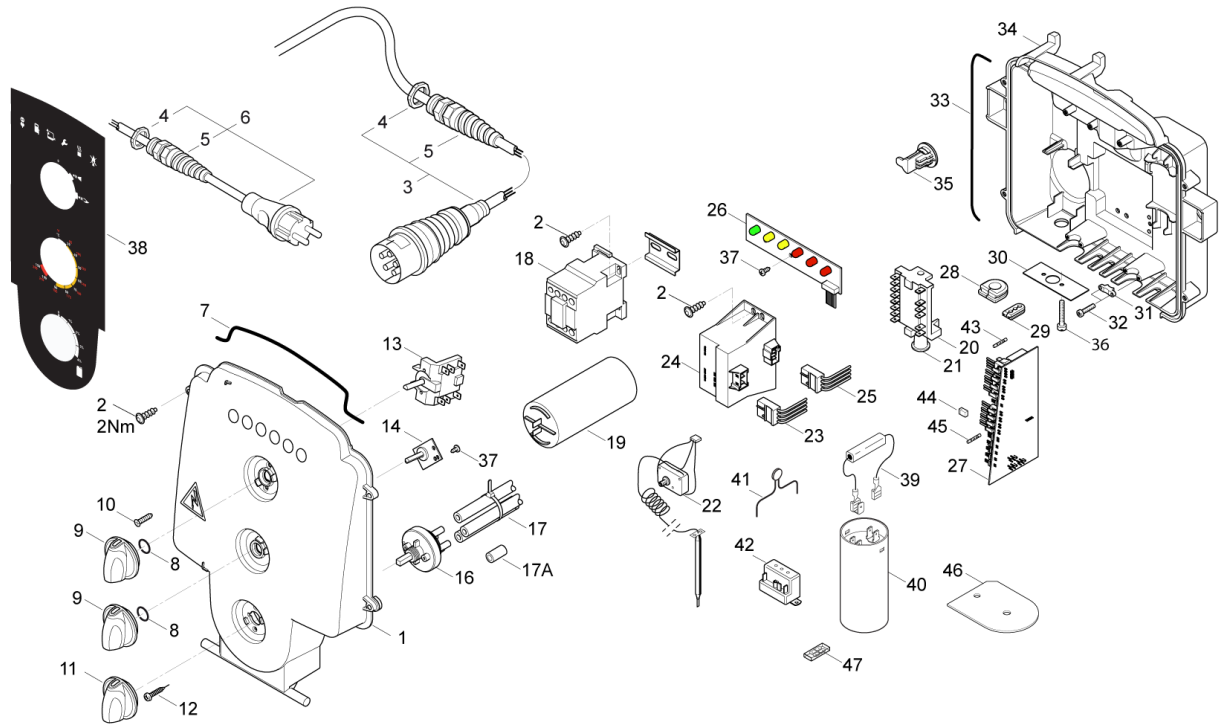


Pos.	Numer Produktu	ilość	Opis	Notes
0-	909100414	1	PUMP OIL ROTH A THT 1L	[1]
01	31000490	1	D-BEARING COVER FOR AXR PUMP RF	
02	101117782	1	KRZYWKA 11.50 DEG. V	[2]
02	301002568	1	DYSK RUCHOMY 9.5	[3]
03	909100435	1	O-RING 92.0x3.0 SMS 1586 NBR70	
04	106162887	1	SCREW M8X20 UNI 5931-8.8	
05	909100432	1	ROLLER BEARING 51109 DIN711	
06	301002557	1	DYSK	
07	101117808	1	PISTON KIT FOR AXR CERAMIC 3 PCS	
08	301002584	1	OBUDOWA POMPY	
09	3000825	2	O-RING 20.24X2.62 NITRIL 70SH	
10	301002569	3	USZCZELNIENIE	
11	106163031	3	O-RING 1.78X10.82 NBR 70SH	
12	301002586	3	PACKING RING Ø 14/28X11.5	
13	106162887	4	SCREW M8X20 UNI 5931-8.8	
14	301002575	1	VALVE BLOCK	
15	101117786	1	OIL CAP KIT	[4]
15	101117918	1	OIL CAP KIT	[5]
16	101117656	1	OBUDOWA	
20	3002029	1	O-RING 12.42X1.78 NITRIL 70 SH	
21	103004325	1	O-RING 15.6X1.78 ARP AS 568 A EPDM70	
22	909100428	1	SPRĘŻYNA Ø 8X10	
23	106162556	1	ZAWÓR	
24	101117957	1	WATER LIMITER KIT	[6]
24	101117779	1	DETERGENT INLET	
25	101117776	1	O-RING 6.35X1.78 NBR 70	
26	101117984	1	SUCTION FITTING D1.7	
26	101117953	1	SUCTION FITTING D2.0	[7]
27	301002578	4	PLUG	
28	301002577	1	PLUG	
29	1801455	4	HEX. SCREW M8X50 DIN EN 24018 8.8 ZN	
30	3002029	6	O-RING 12.42X1.78 NITRIL 70 SH	
31	3002045	6	O-RING 17.17X1.78 NITRIL 70 S	
32	301002544	6	PLUG	
33	62397	1	ROTARY KNOB	[8]
33	101117693	1	HANDLE CPL.	
34	101117686	1	VALVE SEAT KIT	
35	101117685	1	Regulation Valve assy	
35	101117917	1	END STOP VALVE	[8]
37	106163051	1	COPPER WASHER	
38	301002562	1	KOMPLET ZAWORÓW (6 SZT)	
39	301002561	1	ZESTAW NAPRAWCZY	[9]
40	301002574	1	SPACER SLEEVE Ø 5	
41	101117772	1	CABLE FOR PRESSURE SWITCH	
43	101117687	1	INJECTOR BODY	
44	301002585	1	PLUG 1/2	
45	301002325	1	MICRO SWITCH	
46	31000287	1	SPACER KIT 3 PCS	[10]

Part Notes:

- [1] - 0,18 l
- [2] - 2-41 – MH 2C 190/780
- [3] - 2-33 – MH 2C 170/690
- [4] - Up to Serial no. 2009887928/29/09 non vented
- [5] - See TSB-PPW-2010-010 oil cap TSB-PPW-2010-010 oil cap
- [6] - EXPT. JP
STOCK COVERS GUARANTEE
- [7] - JP + KR + EXPT + AU (2-16)
- [8] - From serial no. 2010936745

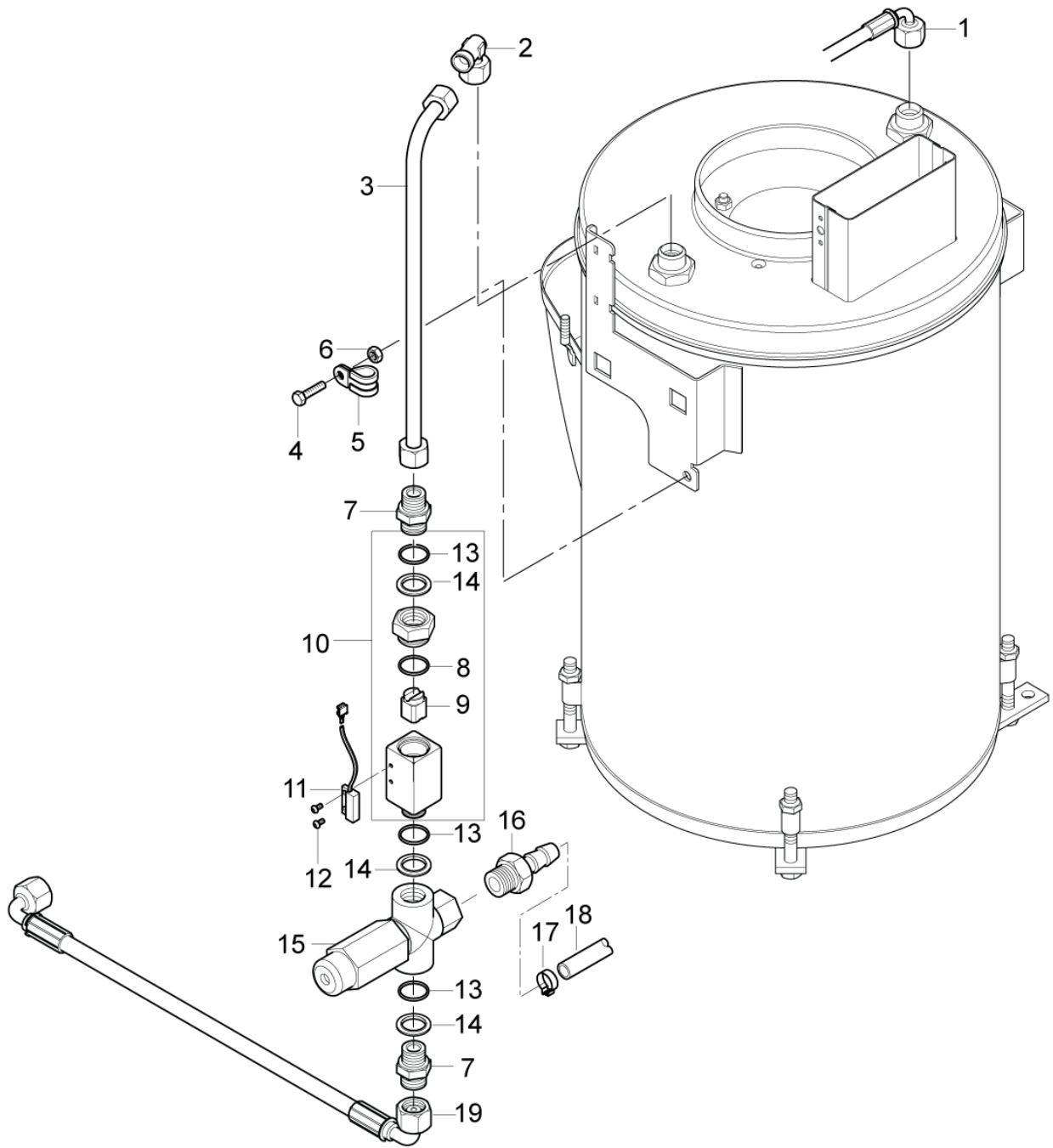
- [9] - 1 PH USE PN 31000343 - 3PH USE 31001029
- [10] - 3 pcs.



Pos.	Numer Produktu	ilość	Opis	Notes
1	101117734	1	ELECTRIC BOX LID	
2	107141838	2	SCREW K50X18 WN1451 BLACK TORX20	
3	101117810	1	POWER C.H07RN 4G1.5 CEE5 GDN 6.3X0.8 KIT	[1]
3	101117811	1	POWER C.H07RN 4G1.5 GDN 6.3X0.8 KIT	[2]
4	909100019	1	NAKRETKA M20X1.5 EN 50262	
5	909100043	1	OSŁONA PREWODY EL. M20X1.5	
6	101117809	1	POWER C.H07RN 3G1.5 CEE7 GDN 6.3X0.8 KIT	[3]
6	101117944	1	POWER CORD SJTOW AWG 12-3 NEMA 5-20 GFCI	[4]
6	101117945	1	POWER CORD SJTW AWG 12-3 NEMA 6-20 GFCIG	[5]
6	101117812	1	POWER C.H07RN 3G1.5 BS13 GDN 6.3X0.8 KIT	[6]
7	101117738	1	FOAM LIST FOR E-BOX	
8	9868	2	O-RING 10.2X2.5 NBR 70	
9	909100204	1	ROTARY KNOB 6X5 BLUE	
10	18274	2	COUNTERSUNK SCREW M4X12	
11	909100214	1	POKRĘTŁO	
12	1814730	2	SCREW 35X10B W1423	
13	28877	1	SWITCH 10A 400V AC	
14	101117730	1	PCB FOR POTENTIOMETER	
15	101117729	1	CABLE BETWEEN MAIN PCB AND POTI	
16	301001000	1	ZAWÓR	
17	106408243	1	HOSE 1/4INCH TRANSPARENT - 5 METERS	
17A	301001906	1	CLOSING CAP D12X21.5	
18	103822301	1	STYCZNIK Cjx2-D12-B7 24V	
18	103822306	1	CONTACTOR CJX2-D18 18A 24V 3P+NO	
19	301002320	1	CAPACITOR 70MF /450V P0 FSH6.3	[7]
19	101118005	1	CAPACITOR 60 KIT	[8]
19	101117947	1	CAPACITOR 100UF 450V DOUBLE 6.3 FASTON	[9]
19	101117948	1	CAPACITOR 70UF 400/450V DOUBLE FASTON	[10]
20	301000293	1	SWITCH START/TRIANGLE 16	
21	64580	1	ROTARY KNOB	[11]
22	101117723	1	WŁĄCZNIK	
23	101117728	1	CABLE F. POWER TRANSF. PRIMARY 400VNO/US	
24	101117726	1	POWER TRANSF. 220/460VAC-24/8VAC T70	
24	101117724	1	POWER TRANSFORMER 230/400-24/8V T70	
24	101117725	1	POWER TRANSF. 115/200VAC-24/8VAC T70	
25	101117727	1	CABLE FOR POWER TRANSFORMER	
26	101117731	1	PCB FOR LCD	
27	101117732	1	MAIN PCB	
28	301002746	2	GROMMET CONNECTION HOSE	
29	101117735	4	CABLE GROMMET 3 HOLES	
30	101117737	1	LABEL FOR SWITCH 220 440 V	
30	101117736	1	LABEL FOR SWITCH 230 400 V	
31	3806262	1	STRAIN RELIEF BRACKET 27.	
32	909100046	2	SCREW 4X8	
33	101406054	2	SPONGE RUBBER Ø 4 1M	
34	101117733	1	ELECTRIC BOX	
35	301001261	2	LOCKING BOLT D29X35	
36	101117739	2	SCREW HEX M4X22-8.8 A2K DIN912	
37	2759	2	HEXAGON NUT M4	
38	101117955	1	LABEL FOR E-BOX NEPTUNE 2	
39	301000402	1	RESISTANCE 15KOHM/7W	
40	101117946	1	CAPACITOR 100UF 450V W. STUD 1100MM CABL	[12]
41	301002353	1	INRUSH CURRENT LIMITER 5 OHM / 5W	
42	101117969	1	START RELAY 4CR-1-785 KIT	
43	3802246	1	FUSE Ø5X20 1.6A 250V	
44	53840	1	ZWORA 2 POLOWA	
45	3812385	1	FUSE D5x20 6.3A VISCOUS US	
46	101118014	1	PLATE FOR CAPACITOR KIT	[13]
47	101118036	4	4 MALE TAB INSULATED	[14]

Part Notes:

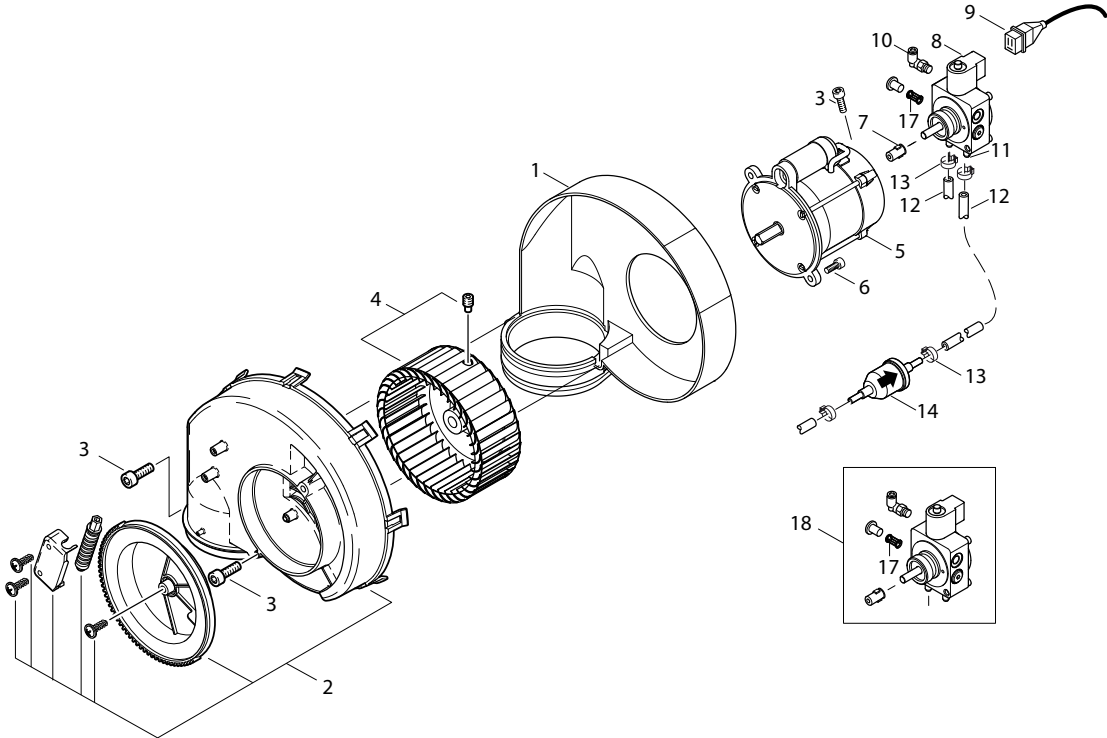
- [1] - 2-33, 2-41
- [2] - 2-33 NO
- [3] - 2-26
- [4] - 2-30 US
- [5] - 2-20 US
- [6] - 2-25 GB
- [7] - NEPTUNE 2-26 230/1/50/16, MH 2C-145/600 X 230/1/50 EU
- [8] - For machines using 2kW motor, MH 2C-145/600 X 230/1/50 EU, MH 2C-90/670 X 230/1/50 UK
- [9] - NEPTUNE 2-20 115/1/60/20 US
- [10] - NEPTUNE 2-30 220-240/1/60 USA, MH 2C-125/600 220/1/60 EXPT
- [11] - TSB-PPW-2016-007 Rotary knob for Voltage selector switch 230V-400V must be sealed with lacquer
- [12] - US, KR (MH 2C-125/600, NEPTUNE 2-20, NEPTUNE 2-30)
- [13] - USA 1phase
- [14] - US, KR



Pos.	Numer Produktu	ilość	Opis	Notes
1	101117740	1	HP HOSE 295MM	
2	101118094	1	ZŁĄCZE M18X1.5	
3	101117676	1	STEEL PIPE COMP.	
4	4697	1	SCREW M6X16	
5	101117718	1	CLAMP FOR PIPE	
6	11619	1	Lock Nut M6 - 8 A2K DIN985	
7	1601079	2	THREADED CONNECTION	
8	G120381	1	O-RING 18.00X2.00 N70	
9	101117716	1	MAGNET HOUSING CPL.	
10	101117675	1	FLOW SWITCH COMP.	
11	101117719	1	REED SWITCH FOR FLOW SWITCH	[1]
12	101117717	2	SCREW TORX M3X6 ELECTRO PLATED DIN 7985	
13	16998	3	O-RING	
14	1801075	3	PIERŚCIEŃ USZCZ. 23.8X17.2X2 3/8	
15	101117722	1	SAFETY VALVE ADJUSTED TO 250 +5/-5 BAR	
15	101117721	1	SAFETY VALVE ADJUSTED TO 234 +5/-5 BAR	[2]
15	101117950	1	SAFETY VALVE COMP. ADJUST 200+5/-5 BAR	[3]
15	101117720	1	SAFETY VALVE ADJUSTED TO 146 BAR	
15	101117949	1	SAFETY VALVE ADJUSTED TO 110+2.5/-5 BAR	[4]
16	2580	1	HOSE LINER Ø 6 G3/8	
17	11654	1	KLAMRA	
18	4973	1	HOSE Ø6X3	
19	101117715	1	HP HOSE 428MM	

Part Notes:

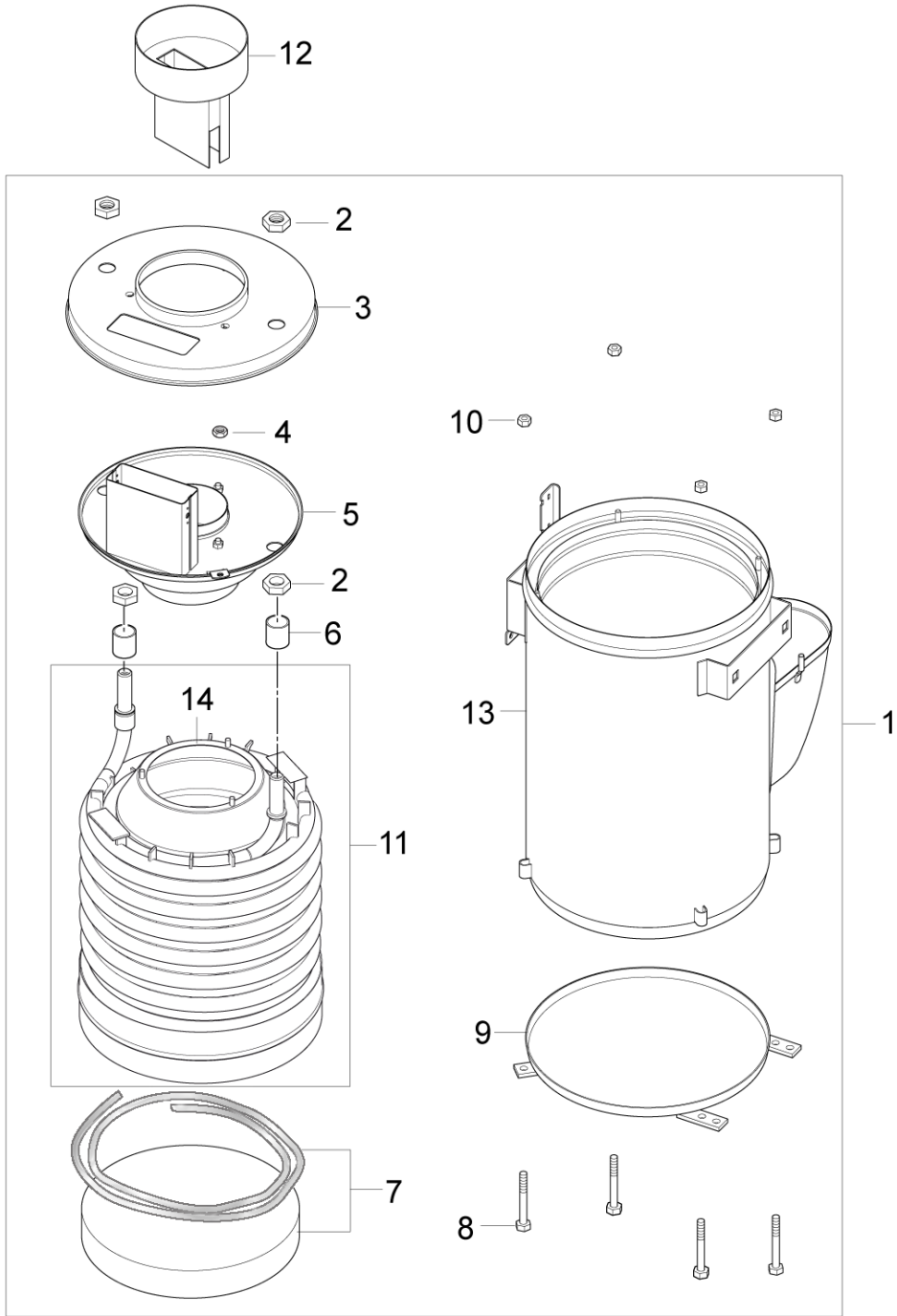
- [1] - TSB-PPW-2014-012 NEPTUNE 1-2 Reed Switch Adjustment
- [2] - OUT PHASED
- [3] - AU,EU,US
- [4] - US



Pos.	Numer Produktu	ilość	Opis	Notes
1	101117704	1	FAN HOUSING N2	
2	301000852	1	COVER FOR FAN HOUSING	
3	32535	3	SCREW M5X16	
4	301000889	1	KOŁO WENTYLATORA	
5	101117710	1	BURNER MOTOR 180W - 230V	
5	101117960	1	BURNER FAN 110-120V MOTOR KIT	
5	107318245	1	BURNER MOTOR 200V	[1]
5	107143097	1	MOTOR BURNER 390W/200-240V/50/60HZ	[2]
6	4697	2	SCREW M6X16	
7	101117707	1	COUPLING FOR OIL PUMP BFA 01 L3L	
8	3821089	1	CEWKA KPL.	
9	101117703	1	CABLE FOR OIL SOLENOIDE	
10	101117706	1	PUSH-IN ANGLE FITTING	
11	101117777	1	HOSE CONNECTIONS FOR OIL PUMP BFA 01 L3	
12	106408244	1	HOSE D6X2.5 - 5 METERS	
13	11654	2	KLAMRA	
14	301002926	1	FILTR	
17	31001081	1	FILTER FOR OIL PUMP	
18	101117673	1	POMPA PALIWA	

Part Notes:

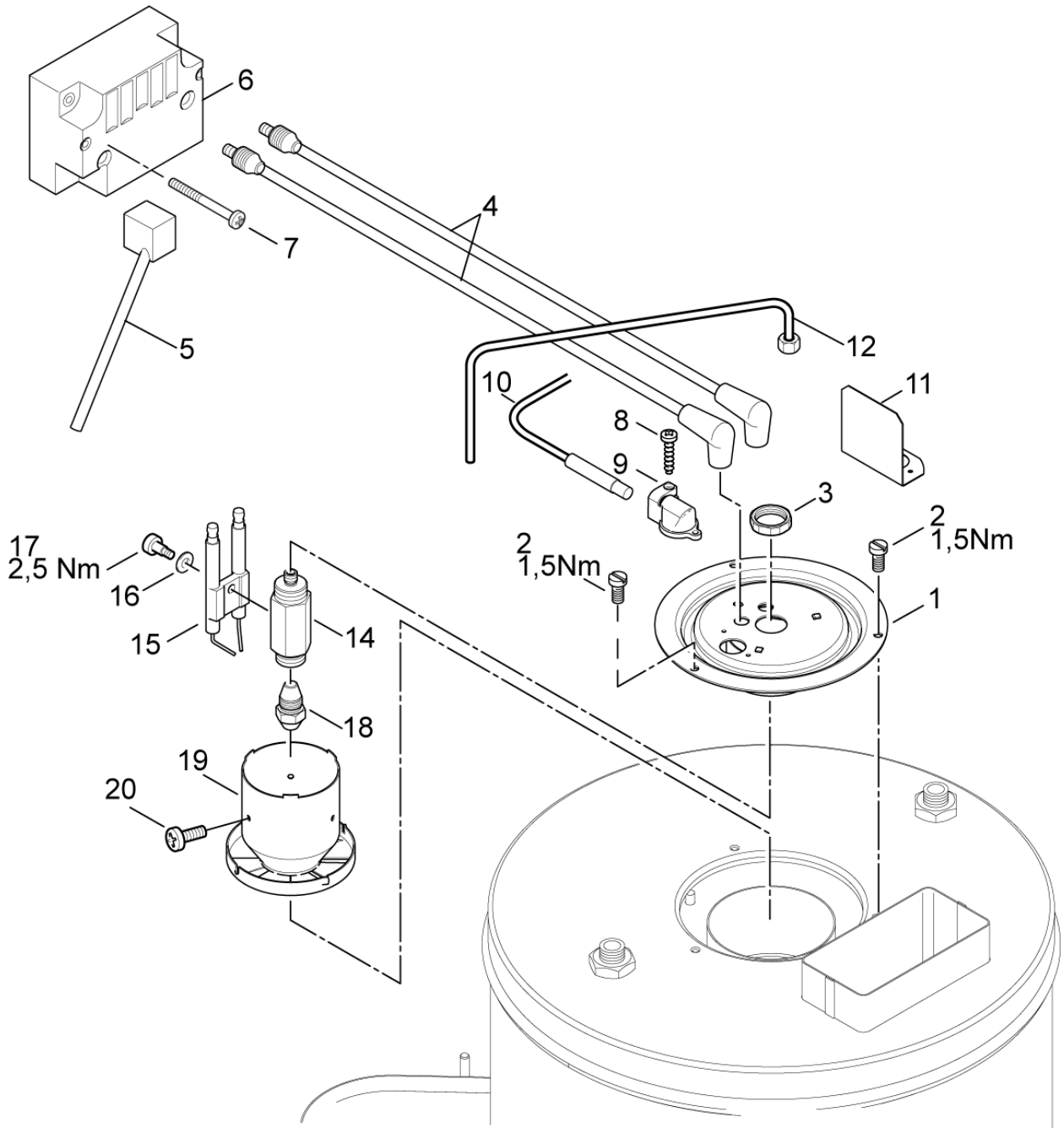
- [1] - 200V 60HZ JP
 [2] - USA, KR



Pos.	Numer Produktu	ilość	Opis	Notes
1	101117754	1	BOILER N2	
1	101117783	1	NEPTUNE 2 BOILER W. STAINLESS STEEL COIL	[1]
2	7012	4	HEXAGON NUT M18X1.5	
3	101117768	1	BOILER COVER OUTER	
4	12263	4	HEXAGON NUT M6	
5	101117767	1	BOILER COVER INNER	
6	301000582	2	BUSHING Ø22X1.5X24	
7	101117684	1	ISOLATION KIT NEPTUNE 2	
8	3453	4	SCREW M8X60	
9	101117755	1	BOTTOM COVER BOILER	
10	2758	4	HEXAGON NUT M8	
11	107145351	1	STAINLESS COIL	[1]
11	101117790	1	COIL FOR B2 BOILER	
12	107145328	1	CHIMNEY ADAPTOR KIT	[1]
13	101117916	1	BOILER JACKET	
14	31000527	1	SHIELDING CONE FOR BOILER N2	

Part Notes:

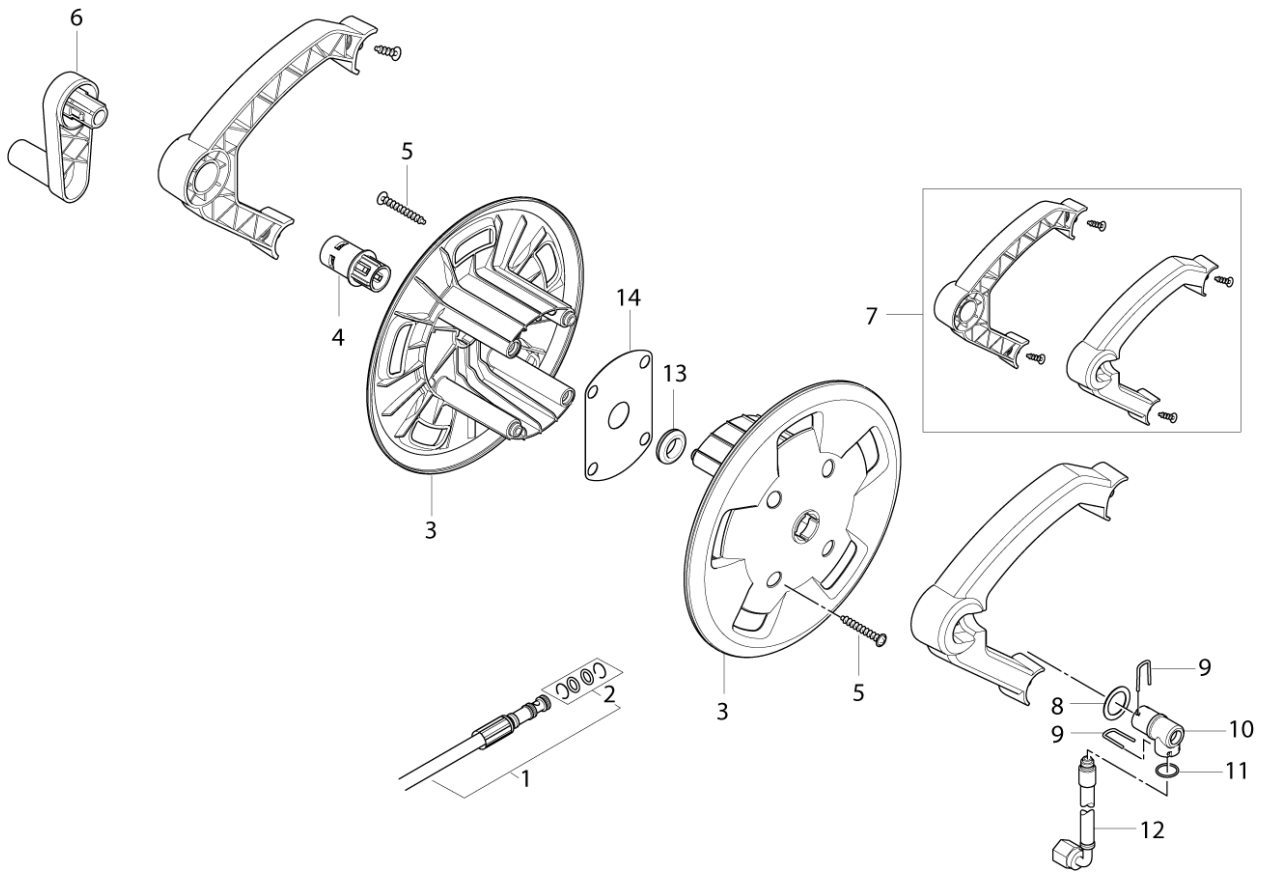
[1] - accessory



Pos.	Numer Produktu	ilość	Opis	Notes
1	101117757	1	COVER FOR BOILER COMPLETE	
2	4820	3	SCREW M5X10	
03	909100139	1	HEXAGON NUT M20X1 24X6 CUZN	
4	301002505	1	IGNITION CORD RED	[1]
4	101117760	1	PRZEWÓD 7X500	
5	101117756	1	PRIMARY CABLE FOR IGNITION COIL	
6	101117759	1	IGNITION TRANSF 220-240 50-60 - DANFOSS	
6	101117959	1	COFI TRH2-30CU VD 120V 50/60HZ	[2]
7	42236	2	CYLINDER SCREW M5X45 ISO 1207 ZN	
8	5606	1	SCREW 2.9X19	
9	301000934	1	HOLDER FLAMESENSOR	
10	101117837	1	FLAME SENSORPLUG KIT	
11	101117922	1	PLATE FOR FLAME SENSOR KIT	
12	101117674	1	FUEL PIPE COMP.	
14	301001548	1	HOLDER OIL ATOMIZER SW22X65.5	
15	301150009	1	ELEKTRODY	
16	909100144	1	SPRING WASHER B5	
17	909100143	1	PAN HEAD SCREW M4X 4.5	
18	2802712	1	OIL NOZZLE 1.0 GAL 60 DEGREES	[3]
18	301002856	1	FUEL NOZZLE 0.75 60 DEG.	[4]
19	301002848	1	AIR DISTRIBUTOR D80 X 71.3	[4]
19	101117758	1	AIR DISTRIBUTOR	[3]
20	51848	3	OVAL HEAD SCREW M3X4	

Part Notes:

- [1] - US
STOCK COVERS GUARANTEE
- [2] - US
- [3] - 2-25, 2-33, 2-41
- [4] - 2-26

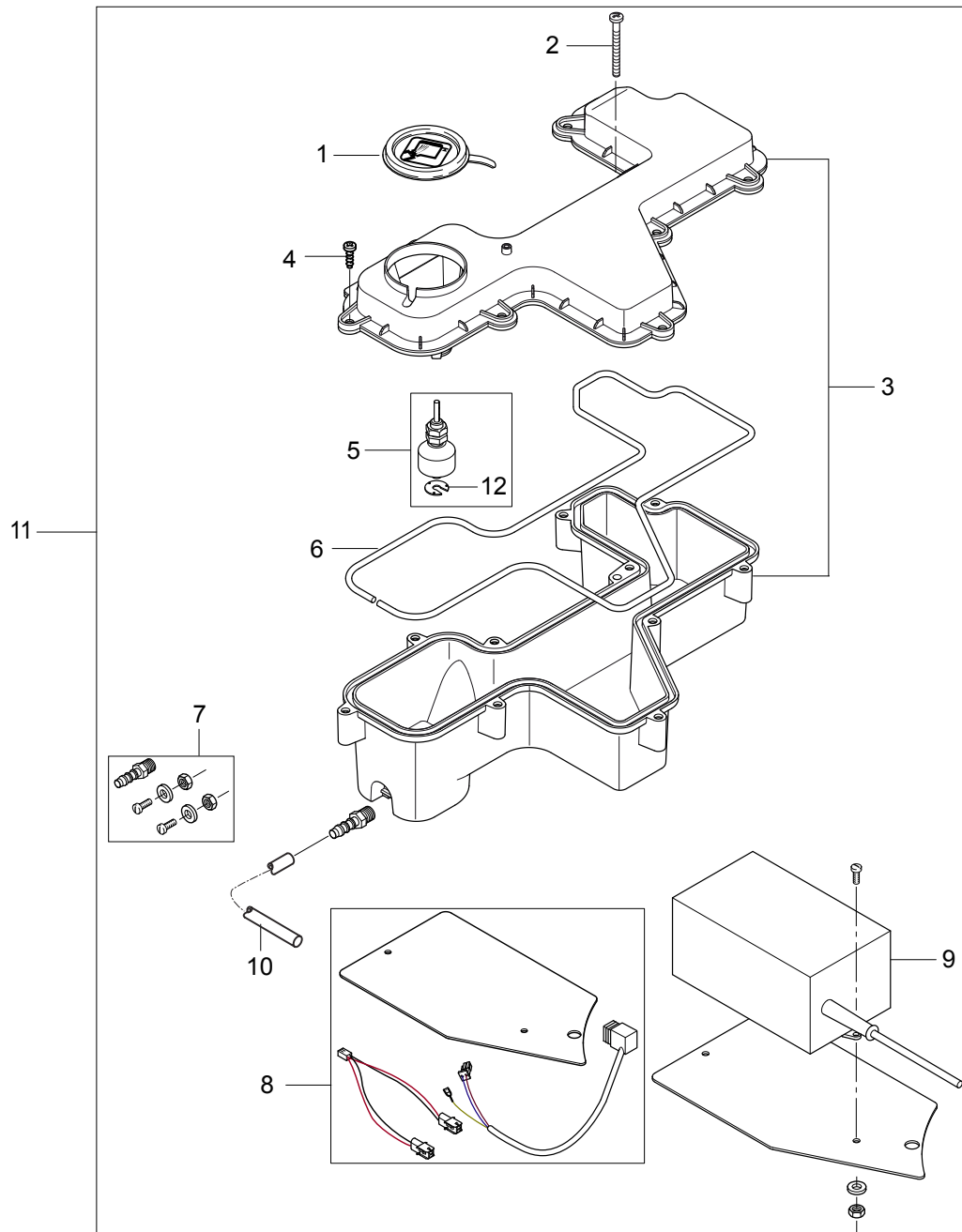


Pos.	Numer Produktu	ilość	Opis	Notes
0-	107145197	1	BĘBEN DO ZWIJANIA WĘŻA	
1	101117763	1	WAŻ 15 M SWIVEL	
2	101117787	1	O-RING KIT 10x2 HNBR 90 SH W/BACKUP RIN	
3	6528570	2	HOSE REEL	
4	301002273	1	ADAPTOR	
5	1814641	4	SCREW PT K50X30 TORX	
6	6528569	1	HOSE REEL HANDL	
7	101117683	1	ADAPTORS FOR HOSE REEL COMP	
8	6127995	1	WASHER	
9	6526487	2	LOCK BRACKET SS	
10	6127990	1	CONNECTOR D14/D14 CUZN	
11	101117762	1	O-RING 14.3X2.4 NBR 70 SHORE	
12	101117761	1	HP HOSE 600MM	
13	101117992	1	RUBBER BUSH F HOSE REEL KIT	
14	101117991	1	PLATE F. HOSE REEL KIT	

Pos.	Numer Produktu	Ilość	Opis	Notes
0-	106403122	1	PISTOLET ERGO 2000 Z OBROTNICĄ	[1]
0-	101119496	1	ERGO ZŁĄCZE KOMPL.	
0-	106403123	1	PISTOLET ERGO 2000 VARIO PRESS	[2]
00	101406069	1	HP HOSE DN6X10M QC 3/8IN NILFISK HW	[3]
01	106403035	1	LANCA UNIVERSAL PLUS LANCE 1080	[4]
01	106402281	1	FLEXOPOWER PLUS 990 ZAKRZ BEZ DYSZY	[5]
01	101119735	1	DYSZA TORNADO PLUS 0340	[6]
01	101119738	1	DYSZA TORNADO 0400 1/8"NPT SZARY METALIK	[7]
01	101119741	1	DYSZA TORNADO 0500 1/8"NPT ŻÓŁTA	[8]
01	101119736	1	DYSZA TORNADO 0350 1/8"NPT BORDOWA	[9]
01	101119737	1	DYSZA TORNADO PLUS 0370 BRĄZ	[10]
01	101119740	1	DYSZA TORNADO 0450 1/8"NPT BŁĘKITNA	[11]
01	101119742	1	DYSZA TORNADO 0530 1/8"NPT CZERWONA	[12]
02	107145123	1	ZBIORNIK ANTIKALK	[13]
02	107145337	1	SAND FILTER CPL.	[14]
02	101117783	1	NEPTUNE 2 BOILER W. STAINLESS STEEL COIL	
02	107145328	1	CHIMNEY ADAPTOR KIT	
02	107145347	1	WALL MOUNTING BRACKET KIT	[15]
02	107145197	1	BĘBEN DO ZWIJANIA WĘŻA	

Part Notes:

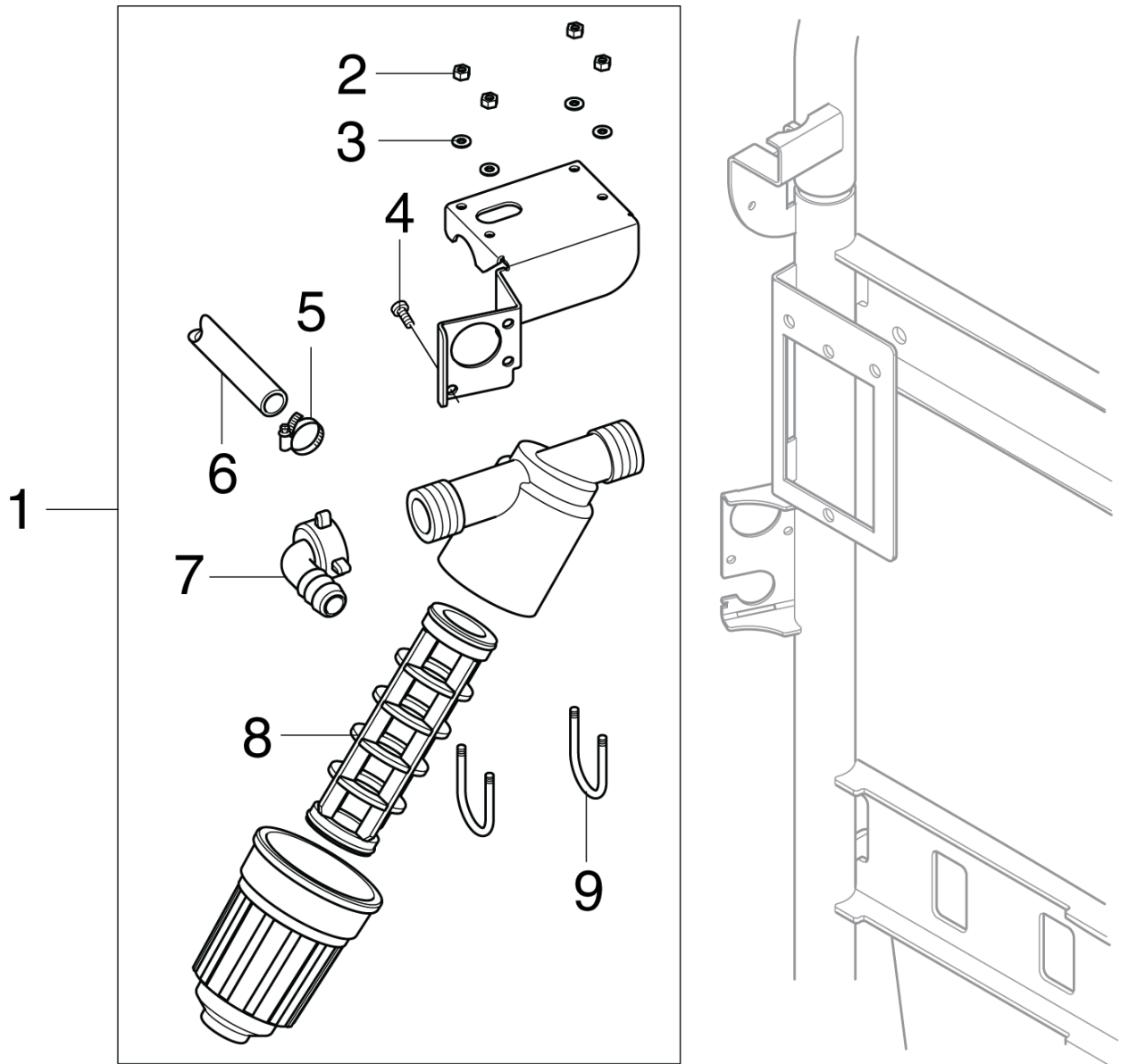
- [1] - 106403122 - ERGO 2000 Spray handle
- [2] - 106403123 - ERGO 2000 VP Spray handle
- [3] - HOSES Overview
- [4] - 2010
UNIVERSAL PLUS lance
- [5] - 2010
FLEXOPOWER PLUS lance
- [6] - 2-26
- [7] - 2-41
- [8] - 2-20 US
- [9] - 2-26 KR
- [10] - 2-33
- [11] - 2-30 US
- [12] - 2-25 GB
- [13] - Anti-scale
- [14] - Sandfilter NEPTUNE 1 + 2
- [15] - CONTACT PROD. MGMT.



Pos.	Numer Produktu	ilość	Opis	Notes
1	45646	1	COVER	
2	1814733	1	SCREW K50X50 TORX BLACK	
3	101117701	1	ANTISCALE TANK PLASTIC KIT	
4	107141838	10	SCREW K50X18 WN1451 BLACK TORX20	
5	101117700	1	ANTISTONE SENSOR WITH CABLE	
6	101117796	1	SILICONE GASKET D3X1	
7	101117831	1	SCREW FITTING F MOUNTING ANTISCALE PUMP	
8	101117834	1	WIRES AND PLATE-ANTISCALE- FOR NEPTUNE 2	
9	101117826	1	ANTISCALE PUMP ST-15 35 ML WITH PLUG 24V	
10	101117833	1	HOSE D3/D5 TRANSPARENT 0.6MM KIT	
11	107145123	1	ZBIORNIK ANTIKALK	[1]
12	107142593	1	HOLDING WASHER PE	[2]

Part Notes:

- [1] - See instruction AntiScale
 [2] - TSB-PPW-2016-017 Locking ring for oil level switch falling off



Pos.	Numer Produktu	ilość	Opis	Notes
1	107145337	1	SAND FILTER CPL.	
2	1800127	4	LOCK NUT M4 8.8 A2K DIN 985	
3	3092	4	WASHER 4.3x0.8 ISO 7089 zn	
4	1803030	3	SCREW CROSS M5 X 12 FZB DIN7985	
5	9262	1	HOSE CLIP 12-20	[1]
6	106408242	1	HOSE 5/8INCH - 2 METERS	[2]
7	5613	1	HOSE NOZZLE Ø16 90 DEGREE 3/4 INCH KU	
8	31000110	1	FINE SAND INSERT 22MICRON	
9	G040179	2	CLAMP FOR FILTER D4X97	

Part Notes:

- [1] - PLEASE CONTACT CARWASH DIRECTLY
 [2] - 0,39m

Recommended Spare Parts

NEPTUNE 2-26 / MH 2C 145/600

2014.11.27

2017.01.02

Pos.	Numer Produktu	ilość	Opis	Notes
	301150009	1	ELEKTRODY	
	6127995	1	WASHER	
00	107143097	1	MOTOR BURNER 390W/200-240V/50/60HZ	
00	3821089	1	CEWKA KPL.	
00	101117719	1	REED SWITCH FOR FLOW SWITCH	
00	301002561	1	ZESTAW NAPRAWCZY	[1]
00	1604222	1	STRAINER	
00	101117700	1	ANTISTONE SENSOR WITH CABLE	
00	101117656	1	OBUDOWA	
00	1801075	1	PIERŚCIEN USZCZ. 23.8X17.2X2 3/8	
00	301001000	1	ZAWÓR	
00	101117673	1	POMPA PALIWA	
00	106162567	1	SUCTION VALVE PLUG KIT	[2]
00	301003095	1	KIT EASY START FROM JULY 2006	[2]
00	101117723	1	WŁĄCZNIK	
00	101117724	1	POWER TRANSFORMER 230/400-24/8V T70	
00	101117685	1	Regulation Valve assy	
00	301002578	1	PLUG	[3]
00	101117731	1	PCB FOR LCD	
00	2802712	1	OIL NOZZLE 1.0 GAL 60 DEGREES	
00	909100204	1	ROTARY KNOB 6X5 BLUE	
00	301002320	1	CAPACITOR 70MF /450V P0 FSH6.3	
00	101117675	1	FLOW SWITCH COMP.	
00	28877	1	SWITCH 10A 400V AC	
00	101117762	1	O-RING 14.3X2.4 NBR 70 SHORE	
00	909100214	1	POKRĘTŁO	
00	101117684	1	ISOLATION KIT NEPTUNE 2	
00	101117784	1	ZAWÓR	
00	301002926	1	FILTR	
00	101117759	1	IGNITION TRANSF 220-240 50-60 - DANFOSS	
00	101117720	1	SAFETY VALVE ADJUSTED TO 146 BAR	
00	301001261	1	LOCKING BOLT D29X35	
00	103822301	1	STYCZNIK Cjx2-D12-B7 24V	
00	16998	1	O-RING	
00	301000293	1	SWITCH START/TRIANGLE 16	
00	101117730	1	PCB FOR POTENTIOMETER	
00	301002562	1	KOMPLET ZAWORÓW (6 SZT)	
00	101117710	1	BURNER MOTOR 180W - 230V	
00	106162556	1	ZAWÓR	
00	101117837	1	FLAME SENSORPLUG KIT	
00	101117732	1	MAIN PCB	
00	101117808	1	PISTON KIT FOR AXR CERAMIC 3 PCS	[3]
00	101117807	1	PISTON KIT FOR GXR CERAMIC 3 PCS	[2]
00	101117760	1	PRZEWÓD 7X500	
00	101117787	1	O-RING KIT 10x2 HNBR 90 SH W/BACKUP RIN	

Part Notes:

- [1] - 1 PH USE PN 31000343 - 3PH USE 31001029
- [2] - 1PH ONLY
- [3] - 3PH ONLY

