

AUTO BOOSTER D

Model:
AUTOBOOSTER 5-20D



Part List US-English

05-04-2015

Table of Contents

AUTO BOOSTER D

Overview 1	3
Overview 2	5
Chemical pumps	7
Electric parts	9
Door with coin acceptor	12
Motor pump unit (a) 5	14
Motor pump unit (b) 5	16
Motor pump unit (c) 5	19
Motor pump unit (d) 5	21
Motor pump unit (e) 5	23
EI-box	25
Pump and flow reduction	27
Water softening equipment	29
Water tank	31
Fan	34
Boiler	36
Distributor	38
Burner unit from Dec. 2010	40
Burner unit	42
Wash boom	44
Default accessories	46
AUTO BOOSTER Brush, 5-20D, 5-20E	48
AUTO BRUSH 3013	50
Coin-counter	52
No-scale	54
Chemical prewash - NO	56
Chemical prewash - NO (spray handle, lance and isu	58
Recommended spare parts	60

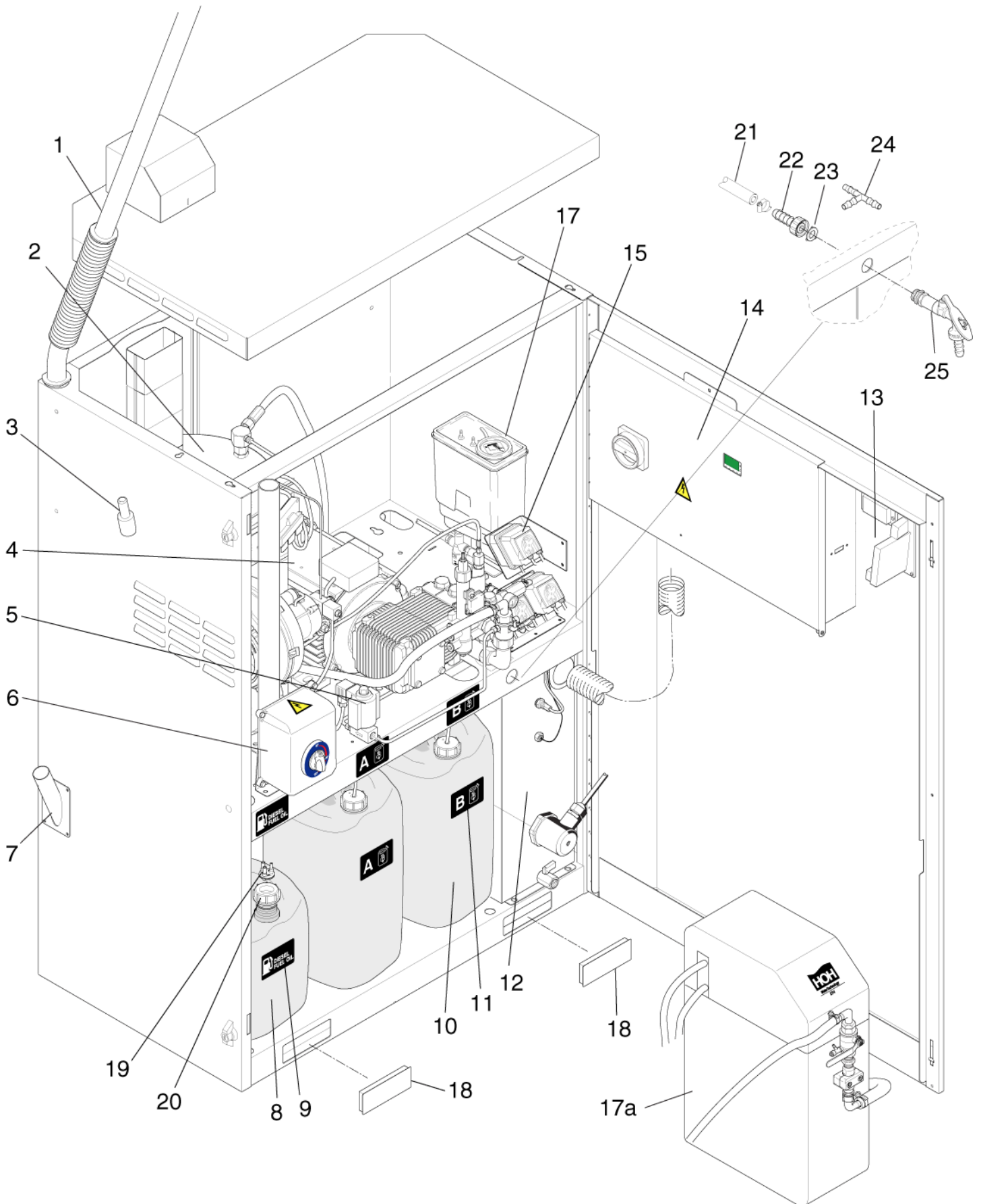
Overview 1

AUTO BOOSTER D

05-04-2015

Part List ID
AUTOD02

3



Overview 1

AUTO BOOSTER D

05-04-2015

Part List ID
AU10DU02

4

Pos	Part no.	Qty	Description	
1		1	USE LINK	Wash boom
2		1	USE LINK	Boiler
3	107313069	1	BRUSH HOLDER. MACHINED	
4		1	USE LINK	Motor pump unit 5
5		1	USE LINK	Flow reduction
6		1	USE LINK	EI-box
7	107313067	1	LANCE CARRIER. WELDED	
8	104601164	1	CAN 30/33L	
9	4209193	1	LABEL FOR OIL FILLING	
10	2005718	1	CONTAINER 25L/27.5L WO/CAP	
11	107319150	2	LABEL FOR CHEMICAL A	
11	107319151	2	LABEL FOR CHEMICAL B	
11	107319152	3	LABEL FOR CHEMICAL C	
12		3	USE LINK	Water tank
13		1	USE LINK	Coin acceptor
14		1	USE LINK	Electric parts
15		1	USE LINK	Chemical pumps
17		1	USE LINK	No-scale
18	107318058	2	COVER PLATE COMPL.	
19	301001276	1	PLUG D40X42	TSB-PPW-2013-001 301000620, 301001276
20	107318059	1	CAPSULE	
21	5206230	1	HOSE 5/8 16 MM 10 BAR DIN 73411	PLEASE INDICATE LENGTHS IN METRES WHEN ORDERING
22	6200575	1	HOSE TAIL FOR FLOAT TANK	
23	3000361	1	WASHER COBBER 27X21X1.5	
24	101609403	1	T-PIECE 16BLUE A9-8 PA 14BAR/90°	
25	103403278	1	PLUG VALVE 1/2 INCH	
17a		1	USE LINK	Water softening equipment

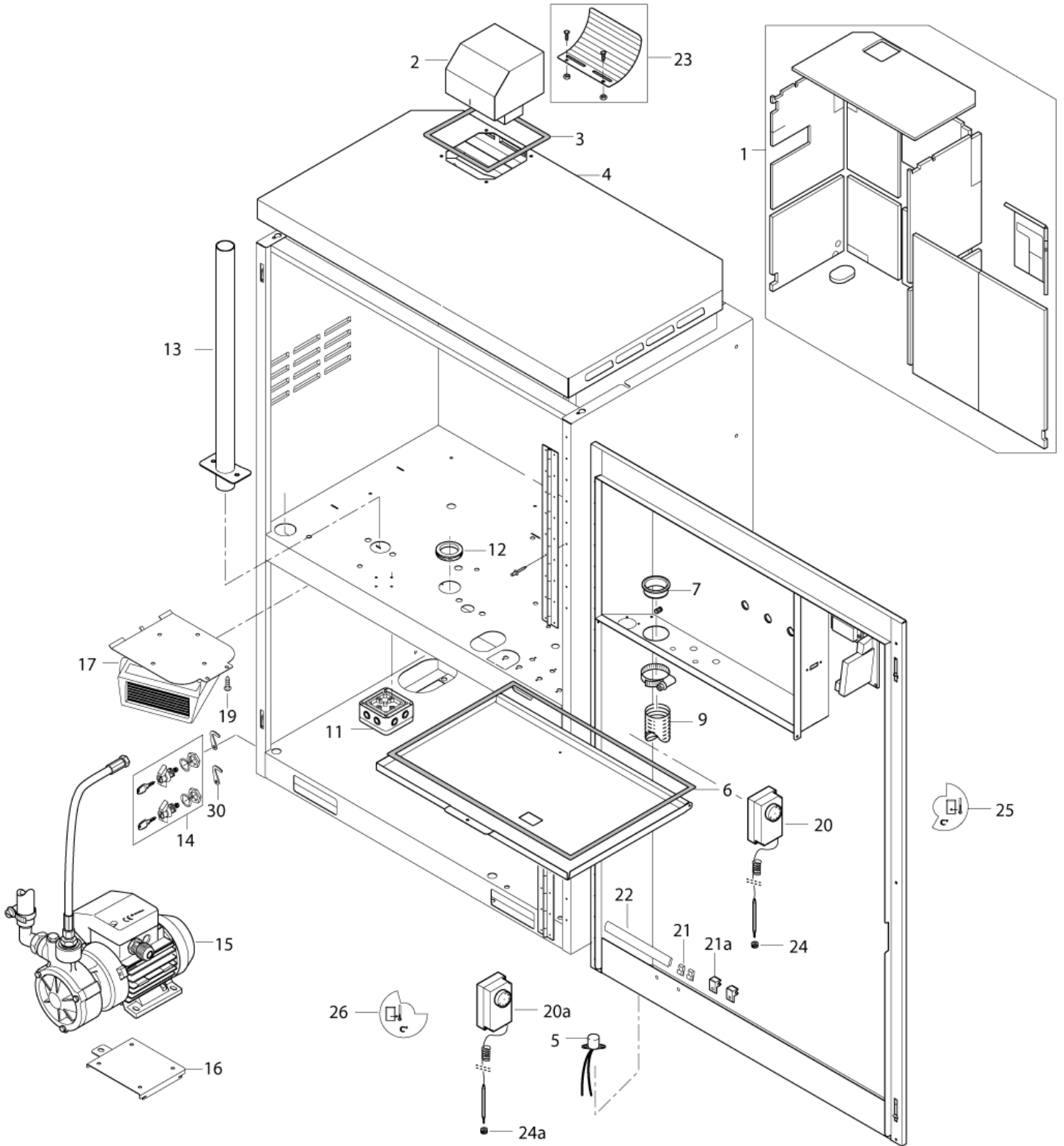
Overview 2

AUTO BOOSTER D

05-04-2015

Part List ID
AUTOD04

5



Overview 2

AUTO BOOSTER D

05-04-2015

Part List ID
AU10D04

6

Pos	Part no.	Qty	Description	
1	107318029	1	ISOLATION. COMPLETE. AUTO/TRUCK	
2	107313246	1	CHIMNEY. WELDED	
3	5218753	1	RUBBER PROFIL A	PLEASE INDICATE LENGTHS IN METRES WHEN ORDERING
4	107313231	1	CABINET TOP	
5	3807773	1	THERMOSTAT 2455RBV-117	up to 26. april 2006
6	5218754	1	RUBBER PROFIL D14X12 ADHESIVE BLACK	PLEASE INDICATE LENGTHS IN METRES WHEN ORDERING
7	107313243	1	JUNCTION-PIECE	Used before 2011
9	5226305	1	FLEXIBLE HOSE 76/ 60 GREY	PLEASE INDICATE LENGTHS IN METRES WHEN ORDERING
11	103822013	1	DISTRIBUTOR BOX AUTO BOOSTER	
12	103004331	1	SLEEVE PVC 45/ 60	
13	107313052	1	CENTRAL TUBE	
14	101814750	1	2X LOCK AND 4X KEY	
15		1	USE LINK	Pump
16	107313265	1	PUMP SUPPORT	
17	107316095	1	FAN HEATER. COMPLETE	
19	4814109	4	SCREW 8X16 STAINLESS STEEL	
20	103822056	1	THERMOSTAT -3 5 - +35DGC	
22	5218090	1	EDGE RAIL 9X6.5	PLEASE INDICATE LENGTHS IN METRES WHEN ORDERING
23	107318048	1	EXHOUST DIVERTER AUTO/TRUCK ACCESSORY	
24	5172	1	RUBBER BUSH	
25	107319168	1	LABEL F. SAFETY THERMOSTAT HOT	from 27. april 2006
26	107319169	1	LABEL F.SAFETY THERMOSTAT COLD	from 27. april 2006
30	107313217	1	HOOK-LOCK	
20a	103822056	1	THERMOSTAT -3 5 - +35DGC	from 27. april 2006
21a	104601170	1	CLIP 6 PLASTIC	from 27. april 2006
24a	5172	1	RUBBER BUSH	from 27. april 2006

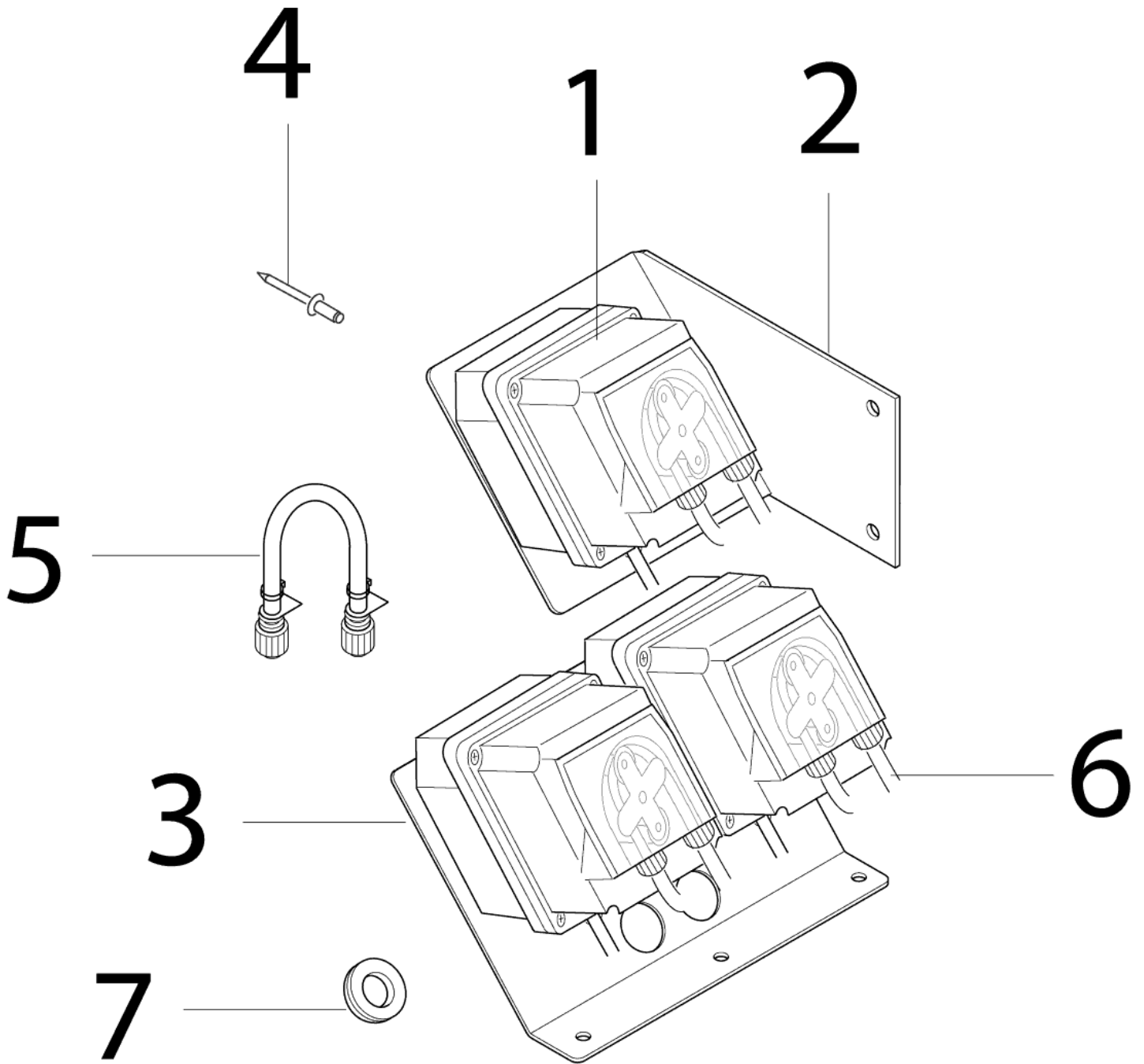
Chemical pumps

AUTO BOOSTER D

05-04-2015

Part List ID
AUTO36

7



Chemical pumps

AUTO BOOSTER D

05-04-2015

Part List ID

AU1036

8

Pos	Part no.	Qty	Description	
1	103822213	3	CHEMICAL PUMP 4L/H	new version from week 33 2007
2	107313287	1	SUPPORT FOR CHEMICAL PUMP	
3	107313288	1	SUPPORT FOR CHEMICAL PUMP	
4	1814128	11	BIFURCATED RIVET 4X10.3 1453	
5	102406658	1	HOSE 6X1.5X117 NOVOP.	Up to week 33 2007 - See SPW 38
5	103822265	3	HOSE FOR CHEMISTRY PUMP	From week 33 2007
6	107318062	1	HOSE SILICONE 6/ 4X5M	
7	3001427	2	CABLE GLAND	

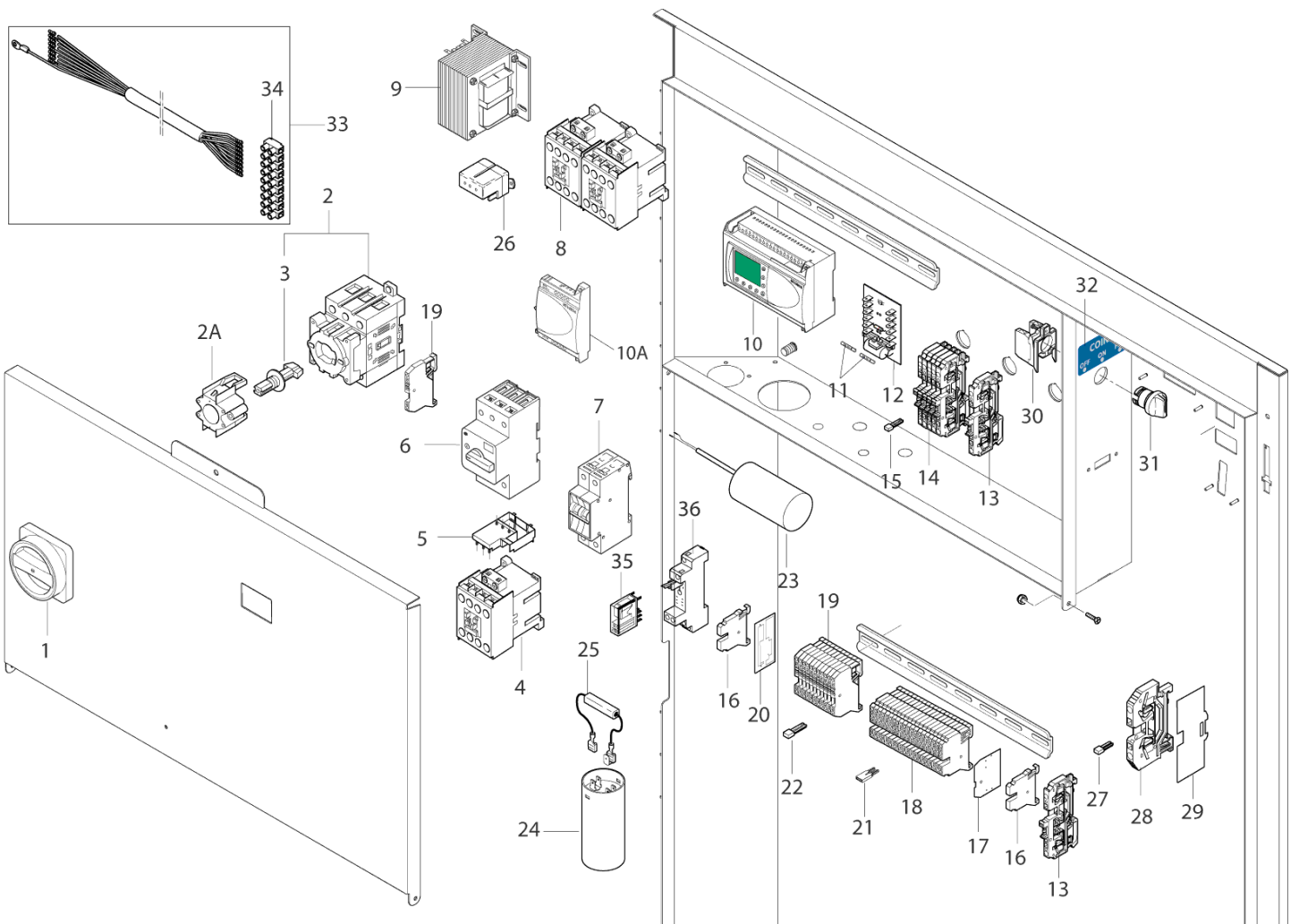
Electric parts

AUTO BOOSTER D

05-04-2015

Part List ID
AUTO06

9



Electric parts

AUTO BOOSTER D

05-04-2015

Part List ID
AU1006

10

Pos	Part no.	Qty	Description	
1	3830121	1	KNOB FOR MAIN SWITCH	
2	103821908	1	MAIN SWITCH 63A	
2	103821919	1	MAIN SWITCH 25A	5-20D - 5-33D
3	103821960	1	HANDLEBAR FOR MAIN SWITCH 25 A	
4	103822306	1	CONTACTOR CJX2-D18 18A 24V 3P+NO	400-440V, 1X230V (5-22E)
4	103822307	1	CONTACTOR CJX2-D18 18A 24V 3P+NC	5-20D
4	103822312	1	CONTACTOR CJX2-D25 25A 24V 3P+NC	3x230V 50Hz
4	103822313	1	CONTACTOR CJX2-D25 25A 24V 3P+NO/US	Only E
5	103821899	1	CONNECTION MODUL 16/23AMP	Up to week 34 2009
5	103822327	1	THERMAL RELAY 12-18AMP	From week 34 2009
6	103821898	1	OVERCURRENT RELAY 10-16A	400-440V, 1X230V (5-22E), up to week 34 2009
6	103821903	1	OVERCURRENT RELAY 18-25A	3X230V, up to week 34 2009
6	103822260	1	OVERCURRENT RELAY 3-POL 16A 10KA	E9, 1x230V from 10.2007 - 10.2010
6	103822262	1	OVERCURRENT RELAY 3-POL 20A 10KA	E12, 3x400-440V from 10.2007
6	3817319	1	OVERLOAD CUT-OUT KTA 3-25-16	Up to week 34 2009
7	103822011	1	Safety device AEG C10 1P-N	400-440V, 1x230V (5-22E) from 10.2007
7	103822012	1	SAFETY DEVICE 3X230V	3X230V
8	103822306	1	CONTACTOR CJX2-D18 18A 24V 3P+NO	3X230V- 4 STK/PC
9	103821847	1	CONTROL TRANSFORMER 230V 24/19	
10	106426081	1	PLC W/ALTO-PROGRAM AUTO BOOSTER EUR	5-20D, EUR (w/heating element) - from 26.04.06
10	106426090	1	PLC W/ALTO-PROGRAM AUTO BOOSTER D	5-20D
10	106426091	1	PLC W/ALTO-PROGRAM AUTO BOOSTER E	5-20E
10	106426092	1	PLC W/ALTO PROGRAM AUTO B. D AUSTRIA	* AUSTRIA/ÖSTERREICH
10	106426093	1	PLC W/ALTO PROGRAM AUTO BOOSTER E9	5-22E
10	106426094	1	PLC W/ALTO-PROGRAM AUTO B. NORWAY	5-33D, *Norge
11	3812385	1	FUSE D5x20 6.3A VISCOUS US	
12	106420051	1	CIRCUIT BOARD WITHOUT FUSES	
13	103822034	2	INTERRUPTER TERMINAL 280-868	
14	103822031	5	INTERRUPTER TERMINAL 0.08-2.5 400V/16A	
15	103822033	1	JUMPER WAGO 280-402	
16	103821922	3	DIN-END STOP WO/SCREW WAGO 249-116	
17	103821921	1	END PLATE	
18	103821920	29	WIRE TERMINAL	
19	103821967	8	WIRE TERMINAL WAGO281 800V 4MM2	
20	103821968	1	END PLATE WAGO 4MM2	
21	103821923	1	JUMPER 2-POL.	
22	103821969	1	JUMPER	
23	301001017	1	CAPACITOR 60MF 450V W/ FERRULES	1X230V (5-22E)
24	301000403	1	STARTING CAPACITOR 98MICRONF 3	1X230V (5-22E)
25	301000402	1	RESISTANCE 15KOHM/7W	1X230V (5-22E)
26	11060	1	STARTER RELAY 220V AC	1X230V (5-22E)
27	103822051	1	JUMPER WAGO 6Q	1X230V (5-22E)
28	103822050	2	WIRE TERMINAL 6MM2 WAGO 282	1X230V (5-22E)

Electric parts

AUTO BOOSTER D

05-04-2015

Part List ID
AU1006

11

Pos	Part no.	Qty	Description
29	103822052	1	END PLATE WAGO 6Q 1X230V (5-22E)
2A	103821907	1	SHAFT FOR MAIN SWITCH 194L-G2853
30	103822074	1	CONTACT ELEMENT 1NO 1NC
31	103822073	1	ROTARY SWITCH 3 POSITION SHORT KNOB
32	107319165	1	LABEL FOR COINER ON/OFF/FREE
33	107318161	1	MOTOR CABLE WITH TYCO PLUG TRUCK/AUTO
34	101117839	1	TERMINAL PLUG AND TERMINAL PINS
35	103821912	1	MINI RELAY 1P 230V (5-22E)
36	103821914	1	BASE FOR MINI RELAY 1POL (5-22E)
10A	103821948	1	EXPANDER AL2-4EYR

Door with coin acceptor

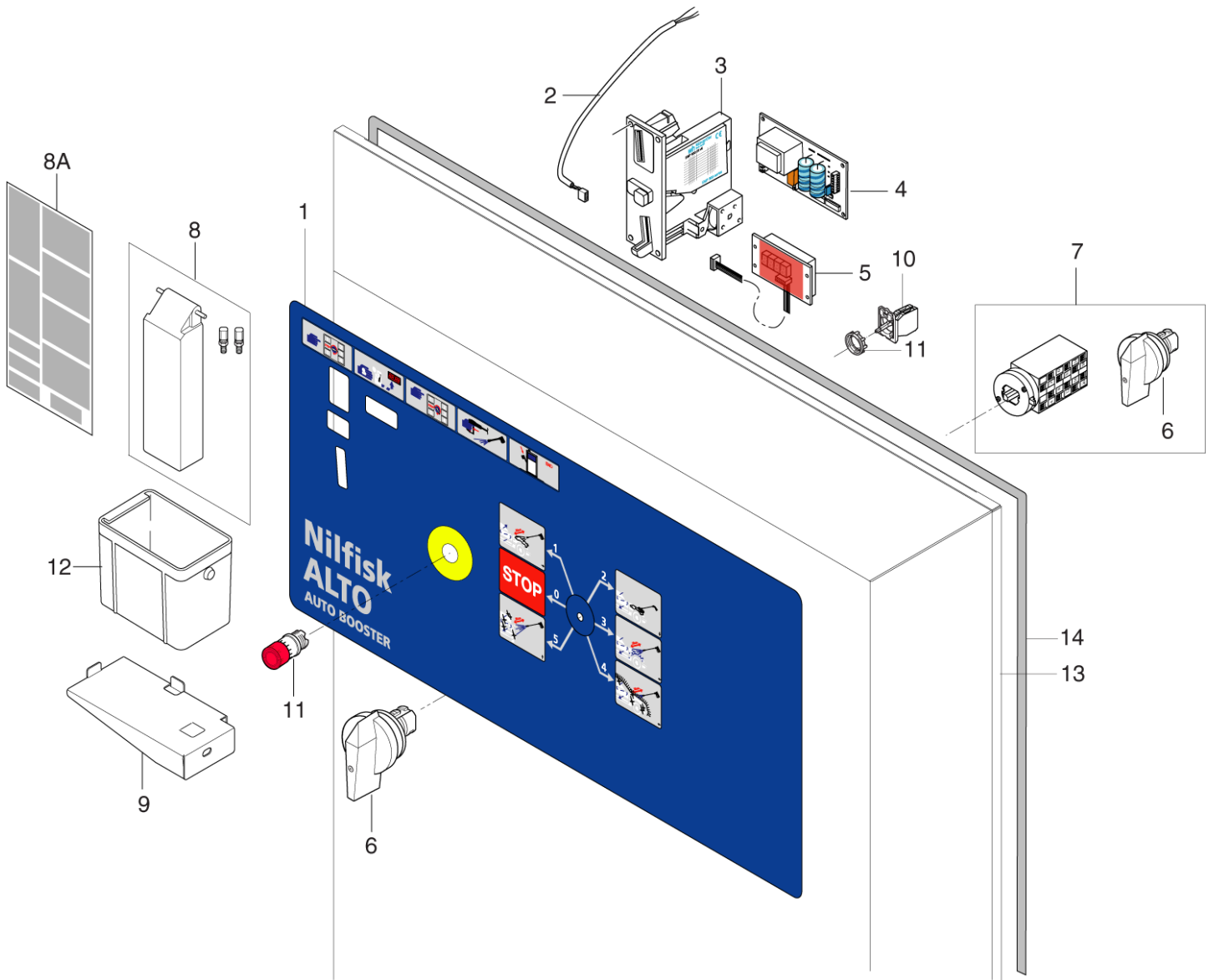
AUTO BOOSTER D

05-04-2015

Part List ID

AUTO08

12



Door with coin acceptor

AUTO BOOSTER D

05-04-2015

Part List ID
AU1008

13

Pos	Part no.	Qty	Description	
1	107319220	1	-07-c LABEL NILFISK/ALTO	
1	107319222	1	FRONT LABEL NILFISK/ALTO NORWAY	* NO
1	107319224	1	FRONT LABEL NILFISK/ALTO IXTAR	IXTAR
2	107318046	1	WIRE FOR TIMER/COINER AUTO BOOSTER	
3	107318035	1	COIN ACCEPTOR GBP EURO SCF	Ç
3	107318036	1	COIN ACCEPTOR NOK DKK SEK	NOK, DKK, SEK
4	107318040	1	TIMER FOR COIN	
5	107318045	1	DISPLAY FOR TIMER W/CABLE AUTO	
6	31000169	1	ROTARY KNOB	
7	103822019	1	ROTARY KNOB ASSEMBLY. WAD 301	
8	103822028	1	COVER FOR COIN ACCEPTOR	
9	107313275	1	FITTING FOR COIN BOX	
10	103822030	1	CONTACT ELEMENT	OPTION
11	103822029	1	EMERGENCY SWITCH	OPTION
12	33421	1	COIN BOX	
14	5218754	1	RUBBER PROFIL D14X12 ADHESIVE BLACK	Lengths in metres - please indicate length
8A	107319145	1	LABEL KIT FOR COIN UNIT	

Motor pump unit (a) 5

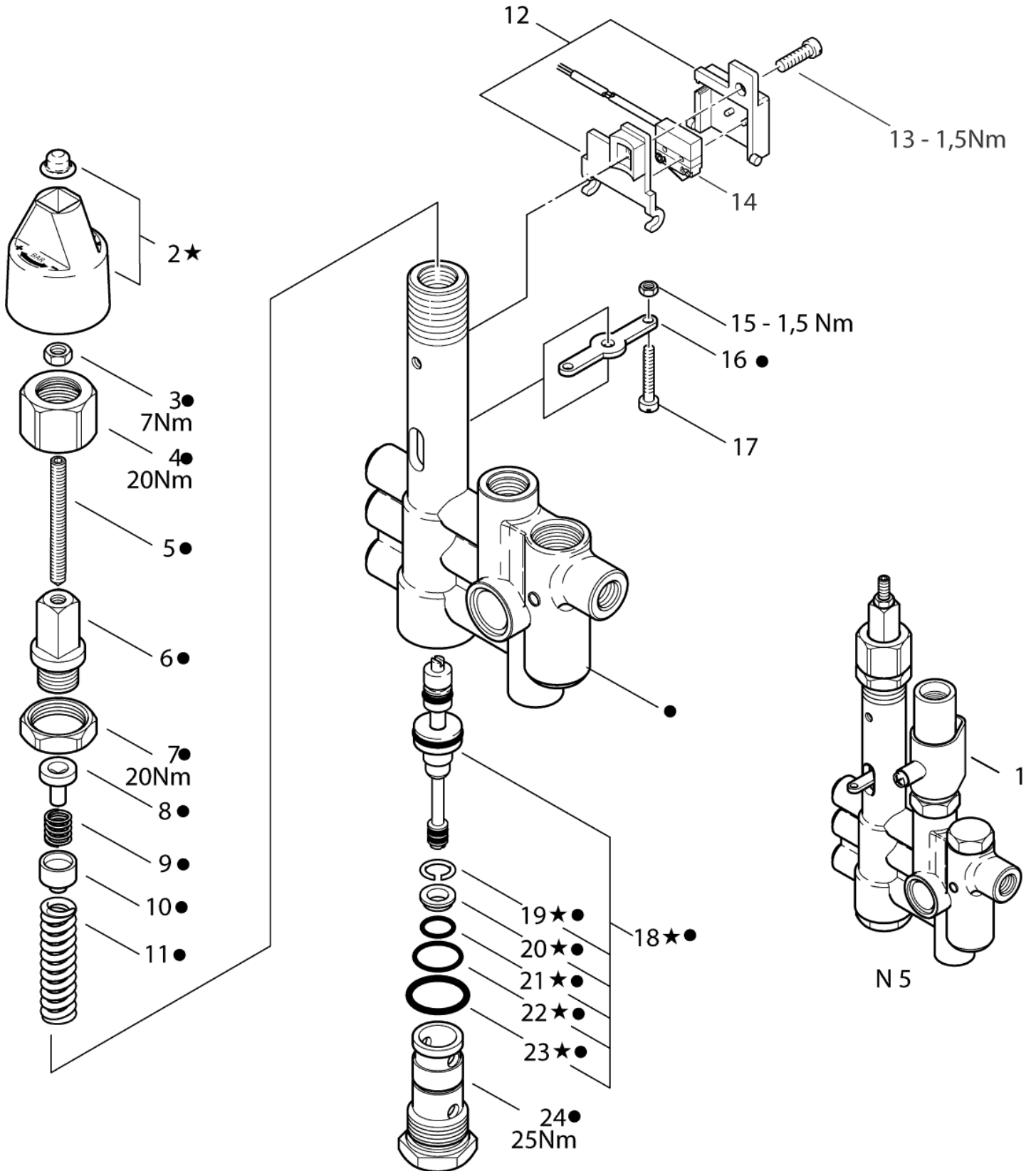
AUTO BOOSTER D

05-04-2015

Part List ID

AUTO18

14



Motor pump unit (a) 5

AUTO BOOSTER D

05-04-2015

Part List ID
AU1018

15

Pos	Part no.	Qty	Description	
-	63056	1	REPAIR KIT DISCHARGER VALVE	includes part mark *
1	301000902	1	DISCHARGER VALVE NEPTUNE	includes part mark o
2	62397	1	ROTARY KNOB	
3	3136	1	HEXAGON NUT M6	
4	62710	1	UNION NUT M24X1.5X21	
5	62711	1	HEADLESS SCREW M6X60 DIN 914 ST/ZN	
6	62712	1	HOLLOW SCREW M16X1X9 4KT SW12X40 ZN	
7	62696	1	HEXAGON NUT M24X1.5X6	
8	62695	1	SPRING SUPPORT	
9	62713	1	SPRING	
10	62694	1	SPRING SUPPORT	
11	40972	1	SPRING 3.5X10.5X54	
12	62401	1	HOUSING FOR MICRO SWITCH	
13	3349	1	SCREW M5X16	
14	301000731	1	MICRO SWITCH 250V	
15	2759	1	HEXAGON NUT M4	
16	62717	1	CONTACT STUD	
17	5076	1	SCREW M4X25	
18	64314	1	REPAIR KIT	
19	909100001	1	RING Ø14 B DIN 7993	
20	62708	1	VALVE SEAT Ø8.5/Ø11.4/Ø13.9x4	
21	49461	1	O-RING 11.0x1.5 NBR90	
22	9523	1	O-RING 17.0x1.5 NBR70	
23	32091	1	O-RING 21.0x2.0 DIN 3770 NBR70	
24	64301	1	HOLLOW SCREW M24X1.5 Ø20 SW27 ZN	

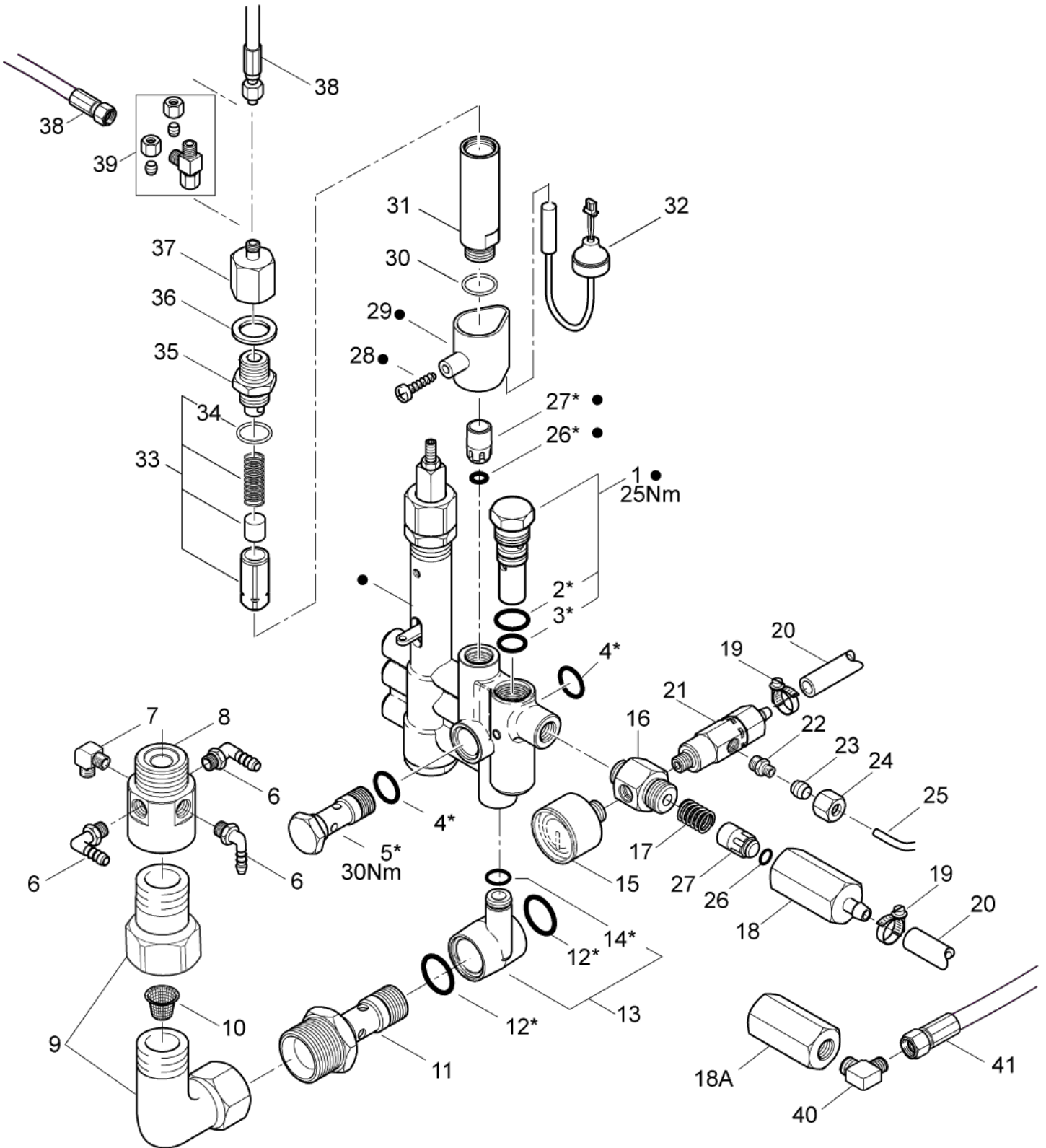
Motor pump unit (b) 5

AUTO BOOSTER D

05-04-2015

Part List ID
AUTO20

16



Motor pump unit (b) 5

AUTO BOOSTER D

05-04-2015

Part List ID
AU1020

17

Pos	Part no.	Qty	Description	
-	301000902	1	DISCHARGER VALVE NEPTUNE	includes part mark o
-	63056	1	REPAIR KIT DISCHARGER VALVE	includes part mark *
1	62730	1	SAFETY VALVE 200BAR	
2	16443	1	O-RING 17.0x2.0 DIN 3770 NBR70	
3	62706	1	O-RING 13.0x2.0 DIN 3770 NBR70	
4	16443	2	O-RING 17.0x2.0 DIN 3770 NBR70	
5	62697	1	HOLLOW SCREW M7X36/51 G3/8 SW22 ZN	
6	101609375	3	HOSE SOCKET ELBOW 4X1/8 BLUE	
7	101609393	1	V-CONNECTION 6 1/8	
8	107312024	1	CHEMICAL HOUSE	
9	101609387	1	UNION ELBOW 3/4 W. O-RING	
10	107312039	1	FILTER	
11	301001297	1	HOLLOW SCREW G1/2-G3/4X72 SW30 PA	
12	24347	1	O-RING 21.0x2.5 DIN 3770 FPM80	
13	63058	2	CONNECTION	
14	13739	1	O-RING 10X2 DIN 3770 NBR70	
15	301000246	1	MANOMETER 0-300 BAR	
16	107312021	4	SPACER	
17	6182972	1	SPRING	
18		1	NOTE COMMENT	Use pos. no. 18A, 40 and 41
19	1807593	2	CLIP 7-13 MM RUSTPROOF	
20	4973	2	HOSE Ø6X3	PLEASE INDICATE LENGTHS IN METRES WHEN ORDERING
21	107312027	1	VENTING VALVE	
22	1602606	1	THREADED CONNECTION 1/8 INCH	
23	1600550	4	CUTTING RING AL 6 DIN 3861	
24	1600543	4	UNION NUT DIN 3870 A L 6	
25	107312009	2	PIPE 2 FOR FLOWREDUCTION	PLEASE INDICATE LENGTHS IN METRES WHEN ORDERING
26	56519	2	O-RING 6.5x3.0 SMS 1586 NBR90	
27	301000905	2	PISTON D14.6X25.5	
28	1814614	1	PT-SCREW K50X16 T20 WN1451 - A2	
29	62399	1	HOLDER FOR FLOW SENSOR	
30	3000064	1	O-RING 14.1X1.6 NITRIL 70SH	
31	107312023	1	HOUSING FOR FLOWSWITCH	
32	3830133	1	REED CONTACT	
33	101119411	1	REP.KIT PISTON	
34	3000064	1	O-RING 14.1X1.6 NITRIL 70SH	
35	107120504	1	PLUG FOR FLOWSWITCH NA5	
36	1801075	1	PACKING RING 23.8X17.2X2 3/8 INCH St-NBR	
37	101609377	1	THREADED CONNECTION 6L3/8	
38	101405641	1	HIGH PRESSURE HOSE DN6X8200MM	
38	101406058	1	HOSE STEEL ARMED DN6X12M	
39	101609392	1	T-CONNECTION 6	
40	101609393	1	V-CONNECTION 6 1/8	

Motor pump unit (b) 5

AUTO BOOSTER D

05-04-2015

Part List ID
AU1020

18

Pos	Part no.	Qty	Description
41	101406046	1	HP HOSE DN6 X 1400MM
18A	107312006	1	HOUSING FOR NON-RETURN VALVE

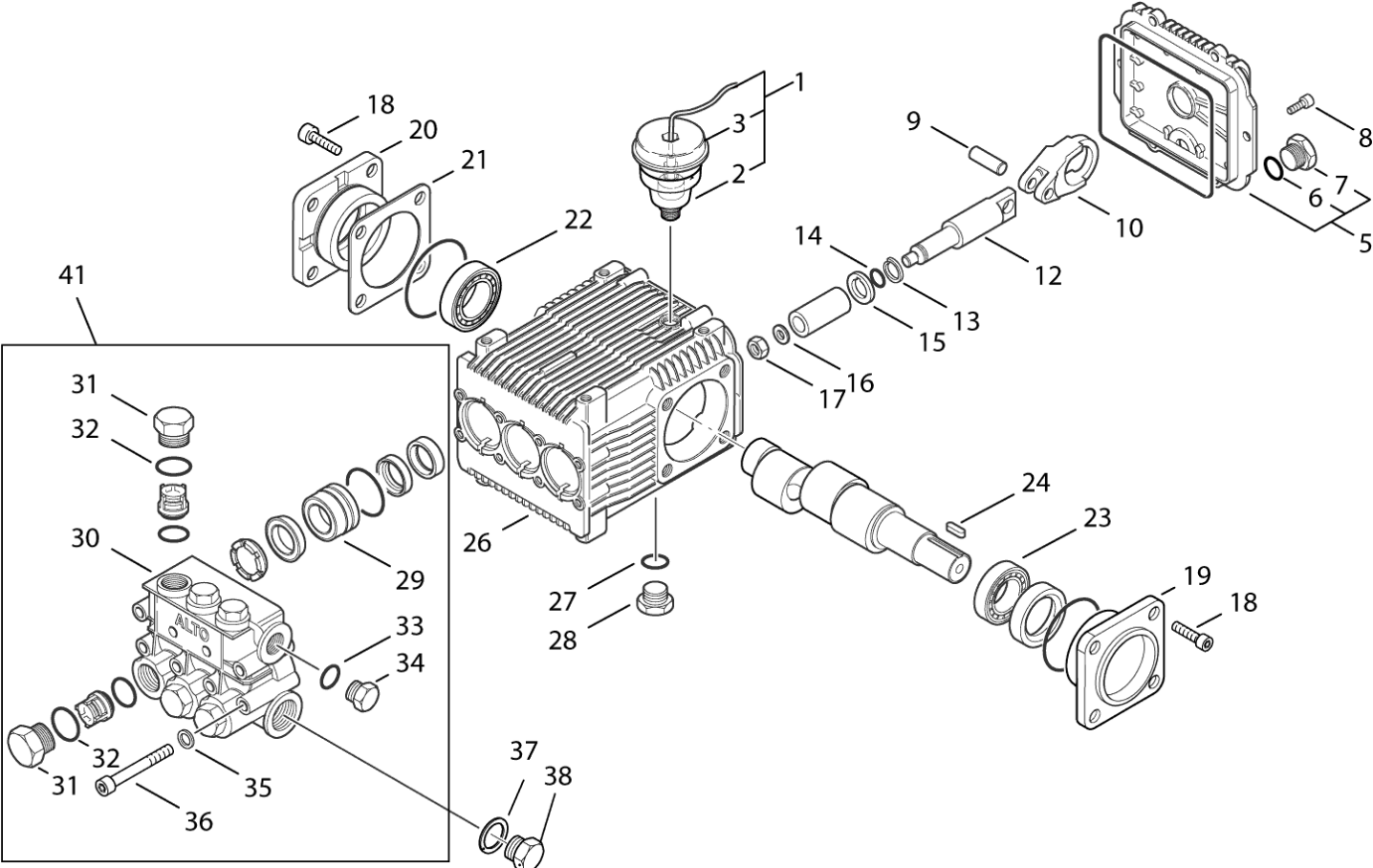
Motor pump unit (c) 5

AUTO BOOSTER D

05-04-2015

Part List ID
AUTO22

19



Motor pump unit (c) 5

AUTO BOOSTER D

05-04-2015

Part List ID
AU10ZZ

20

Pos	Part no.	Qty	Description
-	107144146	1	PUMP OIL NA5 1X1 LITER BOTTLE SAE 15W 40, 0,45 l
1	301000616	1	OIL CONTAINER WITH LEVEL INDICATOR
2	301000614	1	PUMP OIL CONTAINER Ø66.8X84
3	301000615	1	COVER Ø70X15.5
5	301001158	1	COVER
6	56554	2	O-RING 14.0x1.78 ARP AS 568 A NBR70
7	301001135	1	PLUG G3/8
8	909100158	6	SCREW CYLINDERHEAD M6x14 ISO4762 ZN
9	301001138	3	BOLT
10	301001168	3	CONNECTING ROD CuSn
12	301001156	3	PISTON ROD 109MM
13	49900	3	SUPPORTING RING Ø8X11X1 PTFE
14	3001740	3	O-RING 7.66X1.78 NITRIL 70SH
15	301001139	3	DISTANCE SPACER
16	909100165	3	PACKING RING Ø8x17 DIN7603 A CU
17	909100167	3	HEXAGON NUT M8
18	2788	8	CYLINDER SCREW M8X16 ISO 4762 ST 8.8/ZN
19	301001167	1	BEARING LID 80X80X8 OPE
20	301001166	1	BEARING LID 80X80X8 CLO
21	301001140	1	ADJUSTING WASHER 80x80x0.05
21	301001141	1	ADJUSTING WASHER 80x80x0.10
21	301001142	1	ADJUSTING WASHER 80X80X0.20
21	301001143	1	ADJUSTING WASHER 80X80X0.25
22	909100163	1	ROLLER BEARING 30204 DIN720
23	909100162	1	ROLLER BEARING 30205 DIN720
24	19639	1	PARALLEL KEY 8X7X25 A DIN 6885 St
26	301001157	1	HOUSING
27	56554	1	O-RING 14.0x1.78 ARP AS 568 A NBR70
28	301001135	1	PLUG G3/8
29	301001154	3	THRUST COLLAR Ø18
30	301001172	1	VALVE BLOCK
31	301001137	6	PLUG M22 SW24X21
32	103004342	6	O-RING 17.86X2.62 NBR70
33	1409	1	PACKING RING Ø17X23 DIN7603 A CU
34	301001134	1	PLUG G3/8
35	909100168	8	SAFETY WASHER Ø8
36	1814597	8	CYLINDER SCREW M8X70 DIN 912-8.8 ZN
37	5127	1	PACKING RING D21X26 DIN7603 A CU
38	301001136	1	PLUG G1/2/SW24X17
41	301001170	1	VALVE BLOCK COMPL. Ø 18MM

Motor pump unit (d) 5

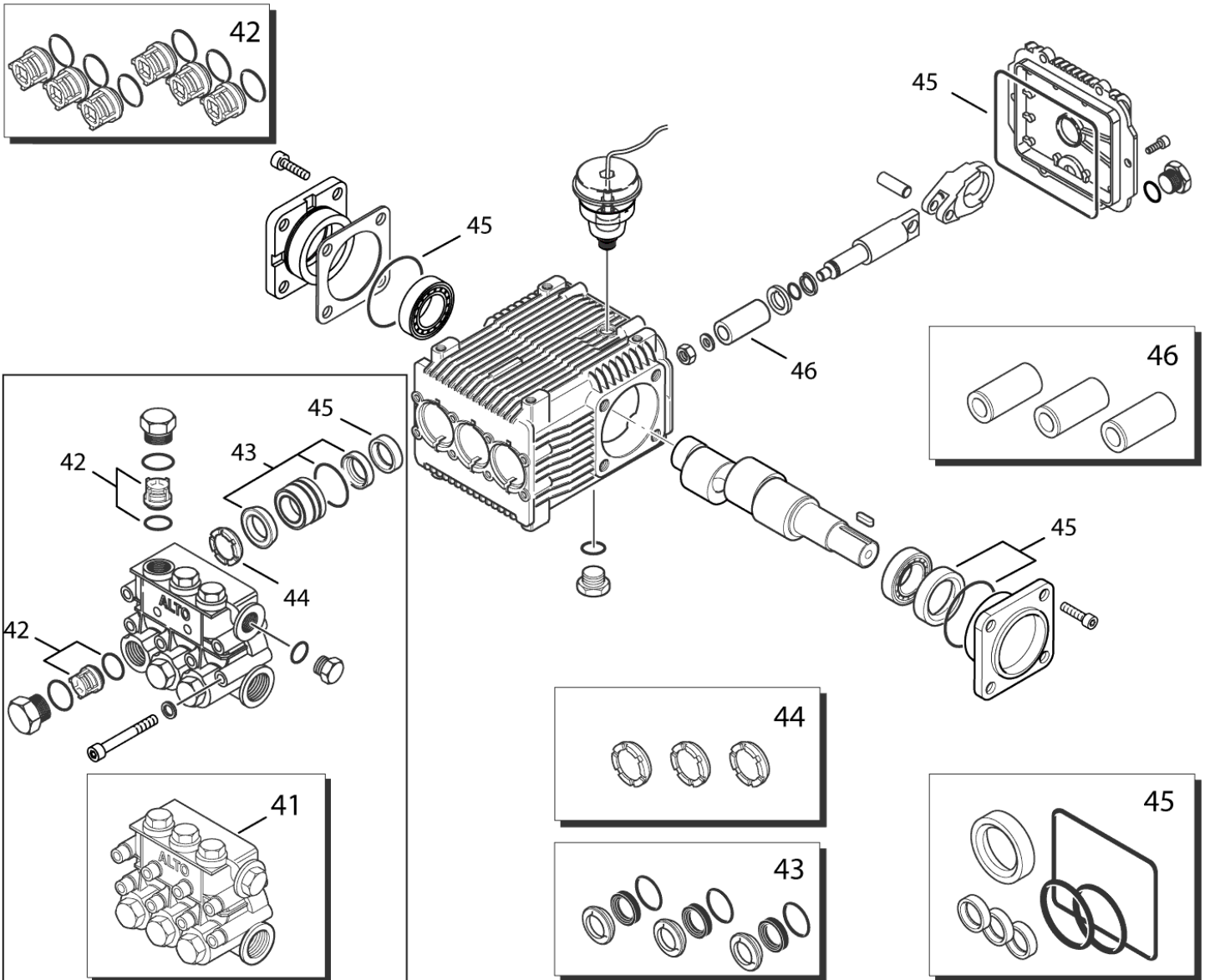
AUTO BOOSTER D

05-04-2015

Part List ID

AUTO24

21



Motor pump unit (d) 5

AUTO BOOSTER D

05-04-2015

Part List ID
AU I O24

22

Pos	Part no.	Qty	Description
-	107312020	1	PUMP ANNOVI NP5 9.12N 5-20
-	301000994	1	PUMP NP5 10.12 N 10L/MIN 120BAR ALTO 5-22
41	301001170	1	VALVE BLOCK COMPL. Ø 18MM
42	301001153	1	KIT VALVE 6 PCS
43	301001148	1	KIT PISTON SEALING Ø18
44	301001151	1	KIT SUPPORT RING Ø18
45	301001150	1	KIT OIL SEALING
46	301001146	1	KIT PISTON Ø18MM

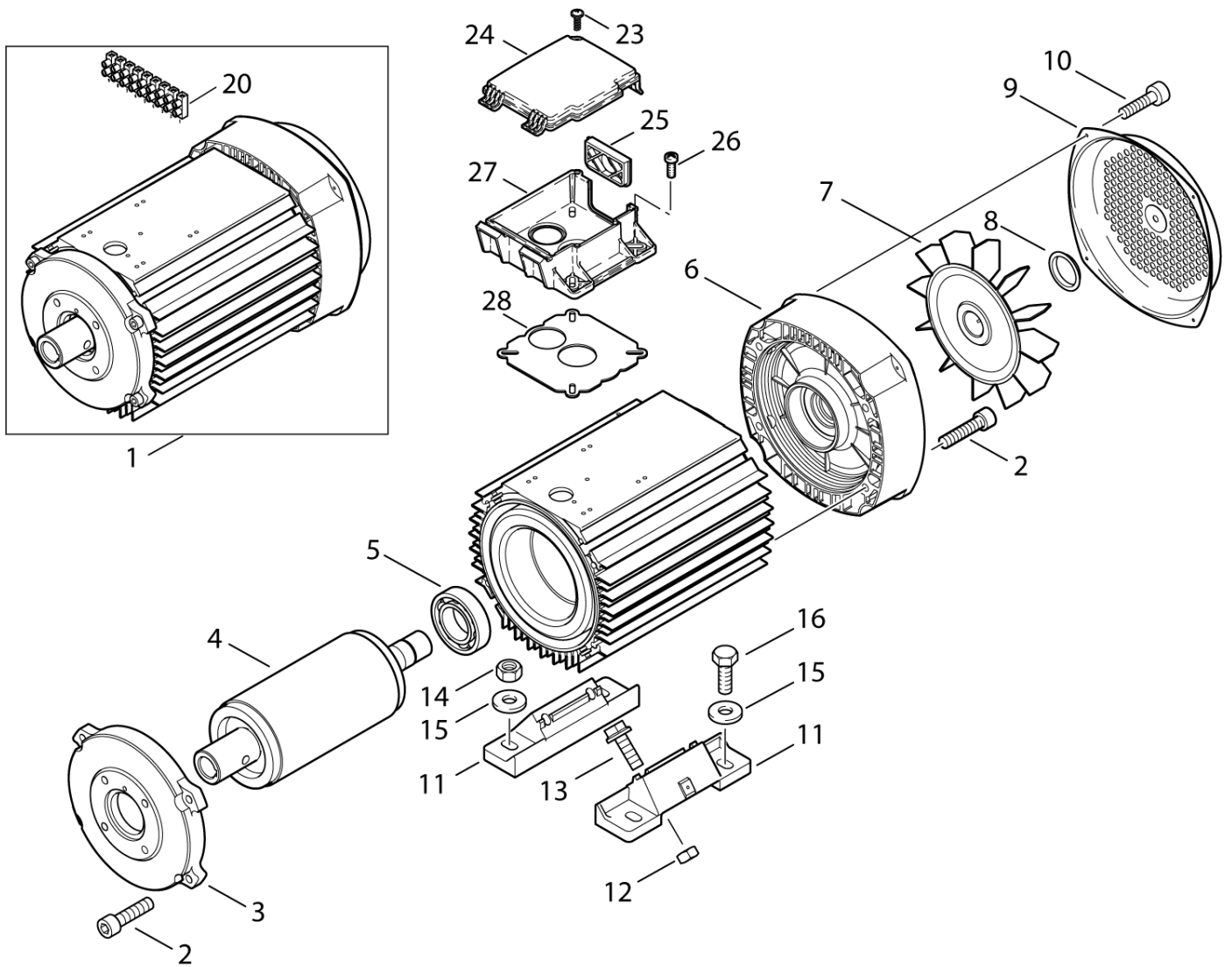
Motor pump unit (e) 5

AUTO BOOSTER D

05-04-2015

Part List ID
AUTO26

23



Motor pump unit (e) 5

AUTO BOOSTER D

05-04-2015

Part List ID
AU I O26

24

Pos	Part no.	Qty	Description	
1	101118018	1	MOTOR ELD112 2.2KW 230V 1PH	5-22 E9
1	101118019	1	MOTOR 4.5KW 230/400 3 PHASE	
2	6863	8	SCREW M8X35	
3	301001119	1	MOTORFLANGE	
3	301001120	1	MOTOR FLANGE	5-22 E9
4	301001121	1	ROTOR MOTOR 2.2KW	5-22 E9
4	301001122	1	ROTOR MOTOR 4.5KW	
5	5905	1	ROLLER BEARING 6306-2Z-C3 120 DEGREES C	
5	6367	1	ROLLER BEARING 6206-2Z-C3	5-22 E9
6	301001113	1	REAR BEARING COVER	
6	301001114	1	REAR BEARING COVER	5-22 E9
7	301001117	1	IMPELLER	
7	301001118	1	IMPELLER	5-22 E9
8	301001112	1	FASTENING RING	
9	301001115	1	FAN HOUSING	
9	301001116	1	FAN HOUSING	5-22 E9
10	8822	4	TREAD-CUTTING SCREW 3.5X9.5 C-H ISO 7049	
11	301001126	1	MOTOR FOOT H45MM	
11	301001127	1	MOTOR FOOT H51MM	5-22 E9
12	1800515	1	Lock Nut M8 - 8 A2K DIN 985	
13	27372	1	HEX. SCREW VERBUS M8X20 DIN 6921	
14	61467	4	HEXAGON NUT M8	
15	2793	4	WASHER 8.4X2	
16	2750	4	HEX. SCREW M8X25 ISO 4017 ZN	
20	101117839	1	TERMINAL PLUG AND TERMINAL PINS	
23	10028	4	SCREW KA50X14 WN1411	
24	301000782	1	COVER ELEC.BOX 128.2X112.	
25	17106	1	INSET	
26	1803030	4	SCREW CROSS M5 X 12 FZB DIN7985	
27	301000781	1	ELECTRIC BOX	
28	301000845	1	GASKET FOR ELECTRIC BOX 100.50X114X1MM N	

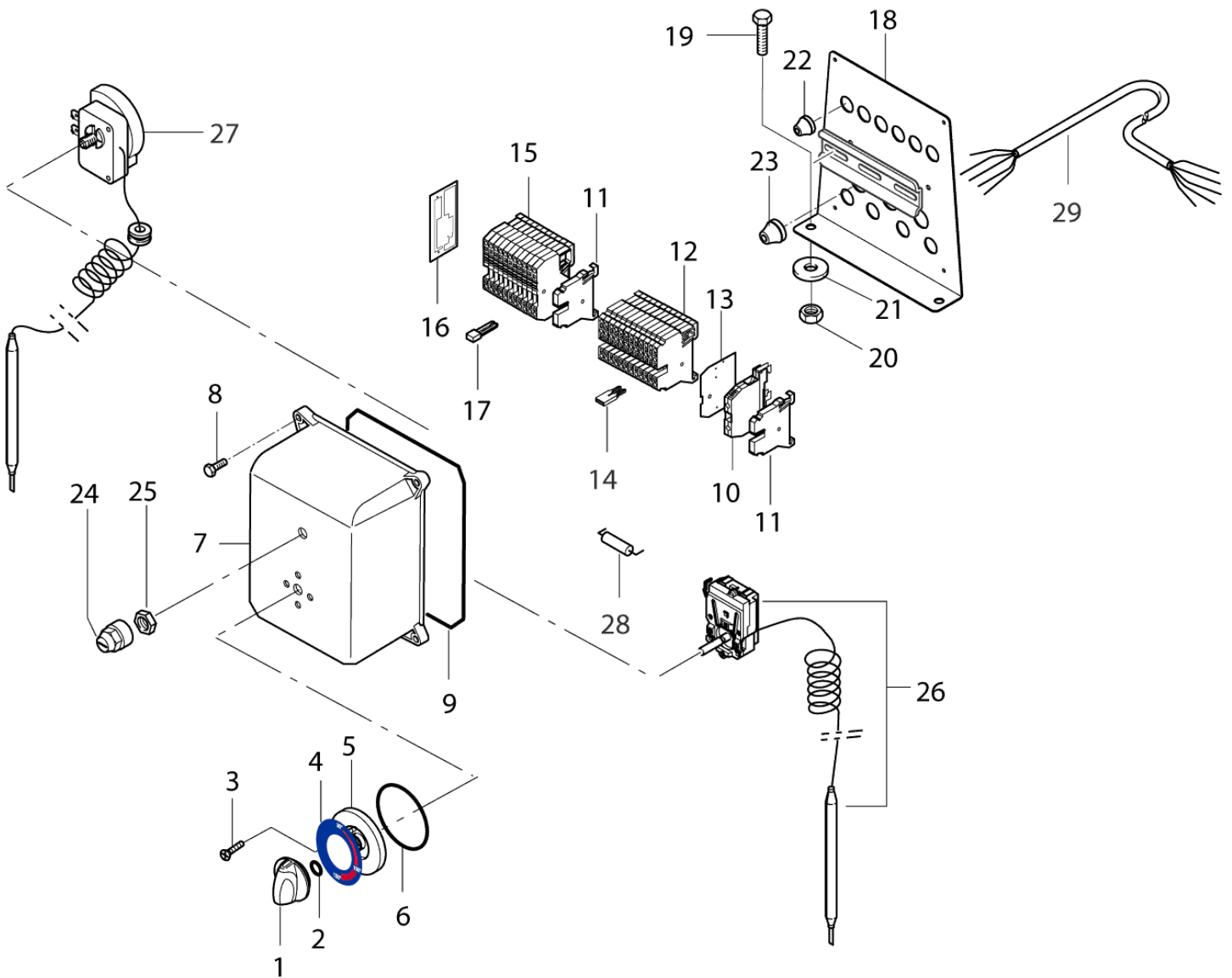
El-box

AUTO BOOSTER D

05-04-2015

Part List ID
AUTO10

25



El-box

AUTO BOOSTER D

05-04-2015

Part List ID
AU1010

26

Pos	Part no.	Qty	Description	
1	909100204	1	ROTARY KNOB 6X5 BLUE	
2	9868	1	O-RING 10.2X2.5 NBR 70	
3	1801612	4	COUNTERSUNK SCREW M4X6 ISO 7046 ST/CR	
4	107319139	1	SCALA FOR THERMOSTAT	
5	107313045	1	SOCKET COMPL.	
6	3001443	1	O-RING 60.0X2.62 NITRIL 70SH	
7	107316091	1	EL-BOX MACHINED	5-20D
7	107316093	1	EL-BOX MACHINED. AUTO E12	5-20E, 5-22E9
8	1804822	4	SCREW TAPTITE M4X16	
9	101406054	1	SPONGE RUBBER Ø 4 1M	
10	4812278	2	WIRE TERMINAL EARTH 4Q	
11	103821922	1	DIN-END STOP WO/SCREW WAGO 249-116	
12	103821920	13	WIRE TERMINAL	
13	103821921	1	END PLATE	
14	103821923	1	JUMPER 2-POL.	
15	103821967	2	WIRE TERMINAL WAGO281 800V 4MM2	
16	103821968	6	END PLATE WAGO 4MM2	
17	103821969	7	JUMPER	
18	107313234	1	PLATE FOR EL-BOX. BENDED	
19	1810209	2	SCREW HEX M10X20 A2 DIN6921	
20	1802966	1	Nut Hex M10 A2 DIN 934	
21	1801968	2	TOOTHED LOCK WASHER M10 FZB DIN6798	
22	3803764	2	RUBBER SEAL TET 5-7C	
23	3803772	1	CABLE GROMMET TET 7-10C	
24	34970	1	CAP	5-20E
25	47313	1	NUT M10X1X3	5-20E
26	107318151	1	THERMOSTAT 20-60	5-20E, 5-22E
26	107318152	1	THERMOSTAT 20-53GR	5-20D, 5-33D
27	103822046	1	SAFETY THERMOSTAT 97DGC	5-20E, 5-22E
28	103822009	1	RESISTANCE 27K	5-20D
29	107318068	1	CABLE FOR BURNER 5G2. 5 TR/AU	
29	107318069	1	CABLE FOR BURNER 3G2. 5 TR/AU	5-20E9, 5-20E12

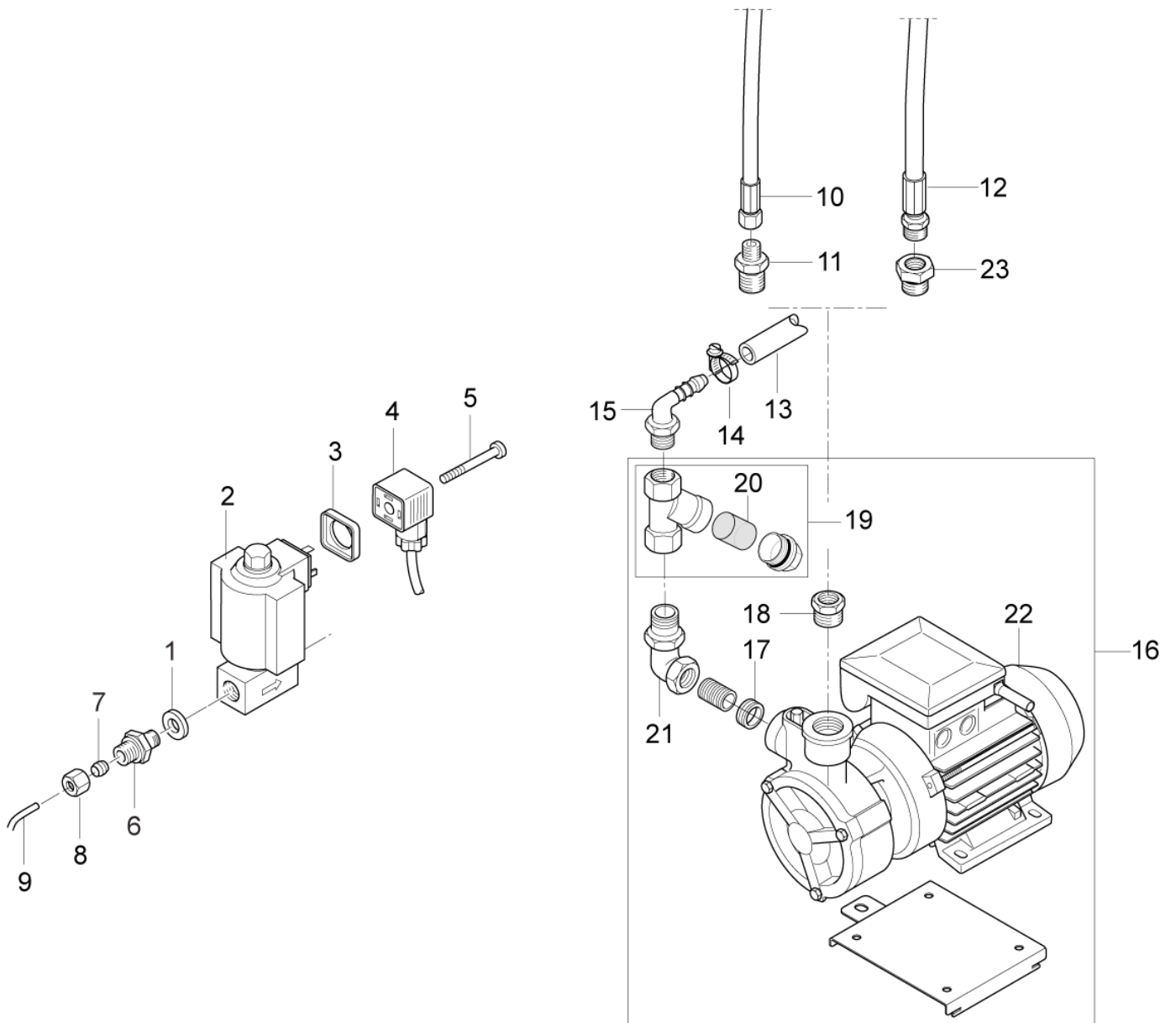
Pump and flow reduction

AUTO BOOSTER D

05-04-2015

Part List ID AUTO12

27



Pump and flow reduction

AUTO BOOSTER D

05-04-2015

Part List ID
AU1012

28

Pos	Part no.	Qty	Description	
1	1810241	2	SEALING WASHER	
2	103822026	1	SOLENOID VALVE 230V 50HZ	
2	53730	1	SOLENOID VALVE 24Vdc	
3	17767	1	GASKET SOLENOID VALVE	
4	11693	1	PLUG F. SOLENOID VALVE	
4	34865	1	COUPELER 2 M	
5	17768	1	SCREW M3X25	
6	1600410	2	THREADED CONNECTION Ø 6X1/	
7	1600543	2	UNION NUT DIN 3870 A L 6	
8	1600550	2	CUTTING RING AL 6 DIN 3861	
9	107312009	1	PIPE 2 FOR FLOWREDUCTION	
10	101405741	1	HP HOSE DN10 150 DEGREE COMPL. 1250MM	D
11	1600998	1	THREADED CONNECTION 12X1/2 INCH	D
12	101406045	1	HIGH PRESSURE HOSE F. AUTO E12	E
13	5206230	1	HOSE 5/8 16 MM 10 BAR DIN 73411	
14	1810191	1	HOSE CLIP 13-27 A4 SS	
15	101609353	1	HOSE TAIL ELBOW 16X3/4 INCH	
16	107318144	1	REPLACEMENT KIT CENTRIFUG.PUMP	
17	107318141	1	REDUCTION 1X3/4	
18	107318142	1	COUPLER 1X1/2	
19	107318140	1	FILTER 3/4 CONNECTION	
20	31000342	1	FILTER 3/4 INCH	
21	101609387	1	UNION ELBOW 3/4 W. O-RING	
22	103822410	1	PUMP KFM2 230/1/50	
23	107312002	1	CONNECTING FOR MAGNET VALVE	E

Water softening equipment

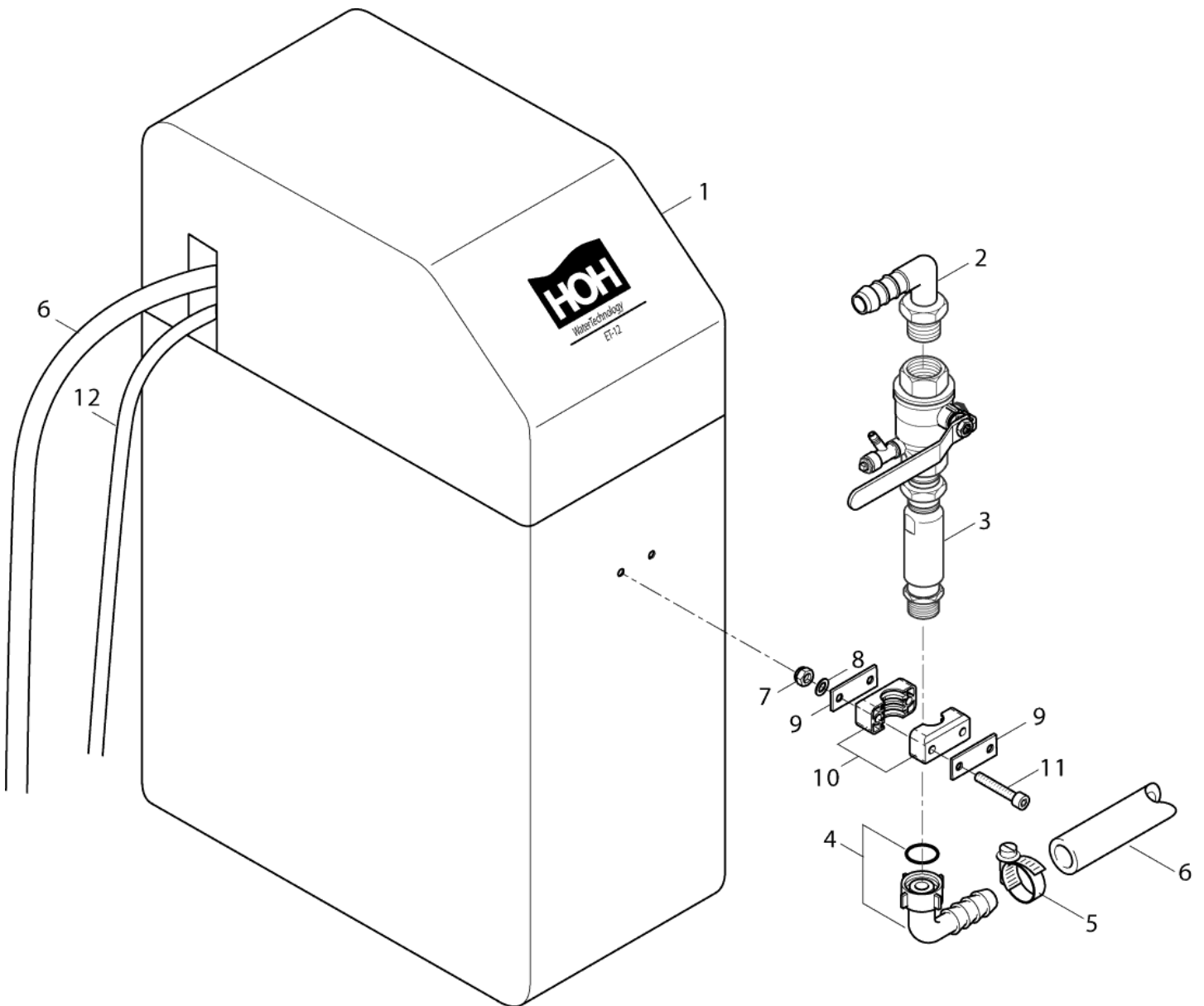
AUTO BOOSTER D

05-04-2015

Part List ID

AUTO14

29



Water softening equipment

AUTO BOOSTER D

05-04-2015

Part List ID
AU I O14

30

Pos	Part no.	Qty	Description	
-	107370970	1	OPTION WATER SOFTENER UNIT	
1	104601166	1	WATER SOFTENING UNIT E12	
2	101609353	1	HOSE TAIL ELBOW 16X3/4 INCH	
3	103403271	1	HIGH PRESSURE SWITCH 3/4 INCH	
4	5613	1	HOSE NOZZLE Ø16 90 DEGREE 3/4 INCH KU	
5	8298	1	HOSE CLIP 16-27	
6	5206230	1	HOSE 5/8 16 MM 10 BAR DIN 73411	PLEASE INDICATE LENGTHS IN METRES WHEN ORDERING
7	1805399	2	LOCK NUT W. NYLONRING M6 A2	
8	1813807	2	WASHER 6.4/18.0X1.6 A ISO7090 VA	
9	7302021	2	PLATE FOR CABLE FIXTURE	
10	1609297	1	BRACKET FOR PIPE 30MM	
11	101801738	2	SCREW M6X60 STAINLESS STEEL	
12	5206461	1	PVC HOSE	PLEASE INDICATE LENGTHS IN METRES WHEN ORDERING

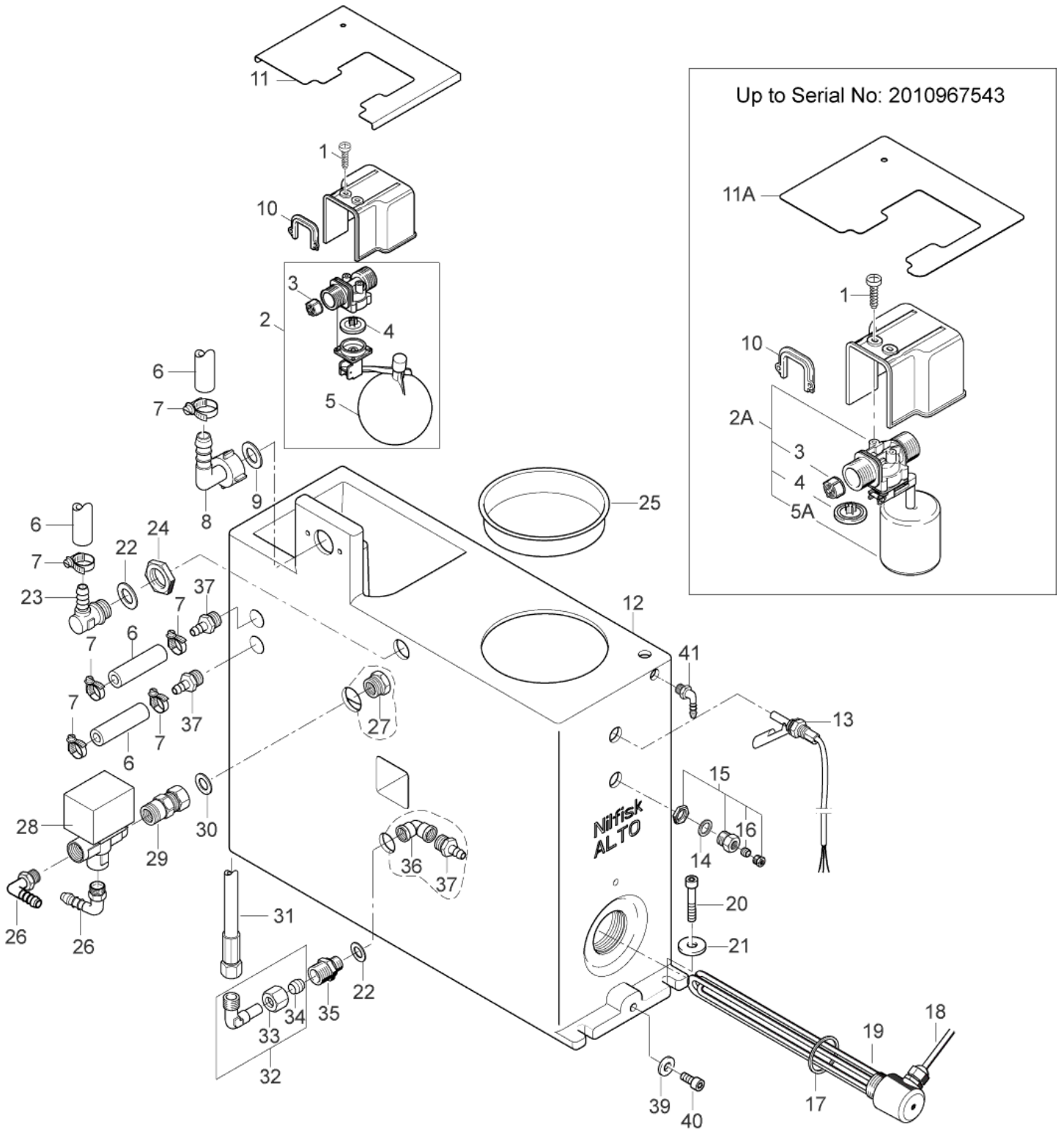
Water tank

AUTO BOOSTER D

05-04-2015

Part List ID
ALTOD16

31



Water tank

AUTO BOOSTER D

05-04-2015

Part List ID
AL1 OD16

32

Pos	Part no.	Qty	Description	
1	16860	2	SCREW 4X12	
2	107318167	1	FLOAT VALVE DN10 FLOAT BALL KIT	From Serial No: 2010967543
3	34225	1	FILTER FOR FLOAT VALVE Ø19.5 KU	
4	62878	1	MEMBRANE RUBBER	
5	11418	1	FLOAT BALL	From Serial No: 2010967543
6	5206230	1	HOSE 5/8 16 MM 10 BAR DIN 73411	
7	1810191	6	HOSE CLIP 13-27 A4 SS	
8	5613	2	HOSE NOZZLE Ø16 90 DEGREE 3/4 INCH KU	
9	15587	1	PACKING RING 14X24X2 RUBBER	
A	101609389	1	HOSE TAIL. DOUBLE 16X3/4	Up to 09.2007
B	6400403	1	HOSE TAIL 1X3/4 INCH	Up to 09.2007
C	103004340	1	GASKET 1 INCH	Up to 09.2007
D	3001401	1	O-RING 28X3 NITRIL 70 SH	Up to 09.2007
E	20862	1	HEXAGON NUT R1 DIN 431 CUZN	Up to 09.2007
F	3449	1	PACKING RING 21X30X2	Up to 09.2007
G	101609356	1	NUT 1/2IN	Up to 09.2007
H	3400819	1	BALOFIX 1/2 CONE	Up to 09.2007
10	11243	1	BRACKET FOR FLOAT VALVE	
11	107318168	1	COVER FOR WATER TANK KIT	From Serial No: 2010967543
12	107315055	1	WATERTANK PLASTIC AUTO BOOSTER	
12	107318166	1	WATER TANK AUTO BOOSTER KIT	From Serial No: 2010967543
13	3817582	1	LEVEL SENSOR LS103-12	
14	1801075	1	PACKING RING 23.8X17.2X2 3/8 INCH St-NBR	
15	107318000	1	THREADED CONNECTION	
16	101609437	1	CONE RING 8MM	
17	3717	1	O-RING 42.0X3.0 NITRIL 90 SMS 1586	
18	107318073	1	CABLE FOR HEATING ELEMENT E12	
19	22297	1	HEATING ELEMENT 6 KW	
20	1812247	2	SCREW M8X30 A2 HFC1888	
21	1813567	2	WASHER 25/8.4 A2 DIN9021	
22	3449	5	PACKING RING 21X30X2	
23	3448	1	HOSE LINER W DN13 G KU	
24	101609356	1	NUT 1/2IN	
25	104601176	1	CONIC DBI-DUT NO. 127C RED	
26	101609390	2	NIPPLE COUDE 12X3/4	
27	107312043	1	NIPPLE. MACHINED	
28	103822036	1	THREE-WAY VALVE COLD/WARM	
29	101609382	1	RADIATOR FITTING 3/4 W. O-RING	
2A	63349	1	FLOAT VALVE	
30	2377	1	PACKING RING 27X38X2	
31	101405741	1	HP HOSE DN10 150 DEGREE COMPL. 1250MM	
32	101118094	1	COUPLING KIT 90D ISO 8434 M18X1.5 THREAD	
33	1081	1	UNION NUT L12 DIN 3870-A ST/ZN	

Water tank

AUTO BOOSTER D

05-04-2015

Part List ID
AL1 OD16

33

Pos	Part no.	Qty	Description	
34	1080	1	CUTTING RING L12 B DIN 3861 ST/ZN	
35	1600998	1	THREADED CONNECTION 12X1/2 INCH	
36	20680	1	ANGLE	
37	101609359	3	HOSE TAIL 1/2 INCH.X16MM	
38	107315043	1	ISOLATION	
39	101814735	1	SEALING WASHER 1/8PP45C	
40	1810019	1	SCREW M10X16 SS	
41	107318135	1	HOSE TAIL ELBOW 12X1/4	
5A	62877	1	SWIMMER Ø 55X60	
11A	107315057	1	COVER FOR WATERTANK PLASTIC AUTO B	from serial no. 2010967543

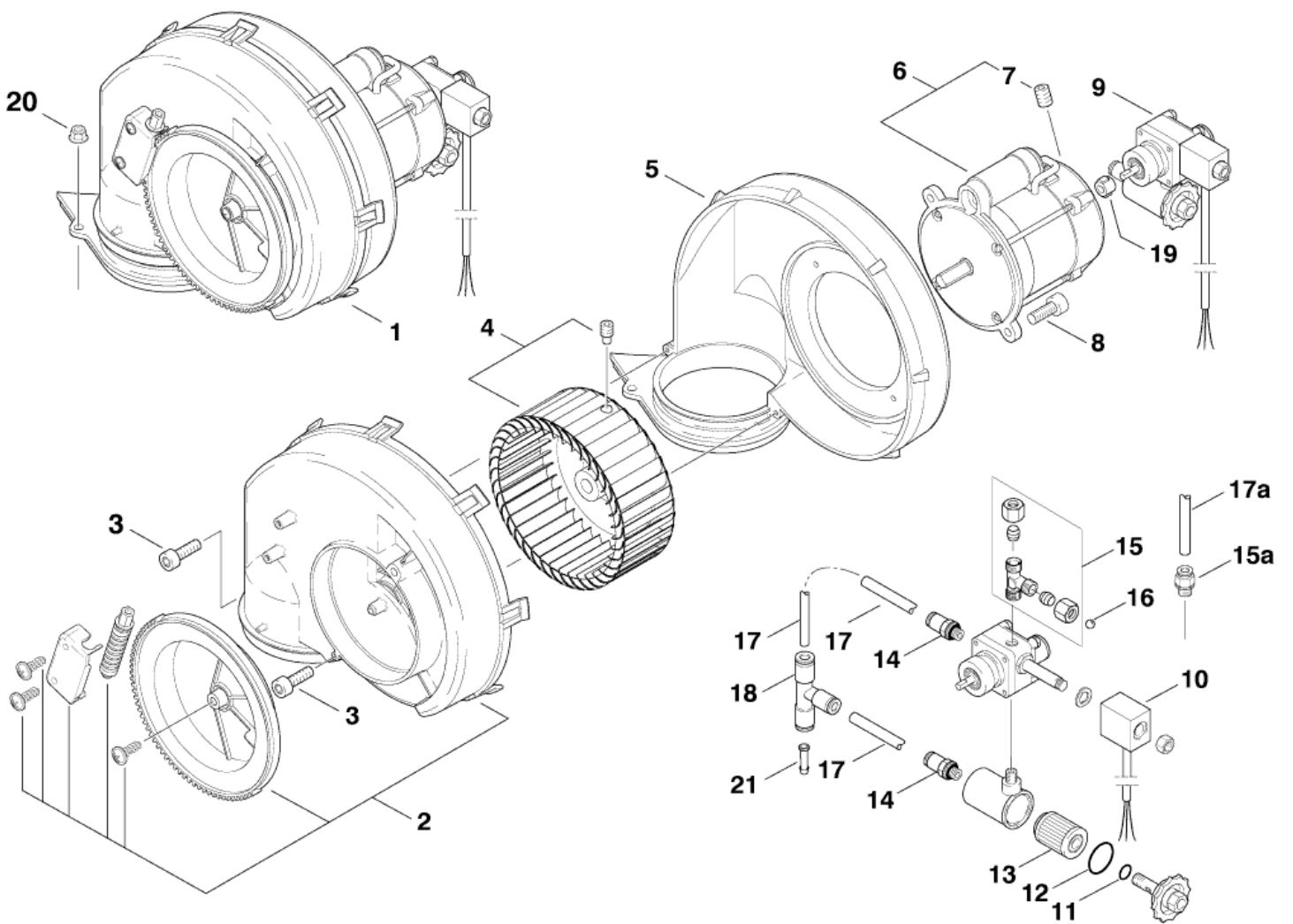
Fan

AUTO BOOSTER D

05-04-2015

Part List ID
ALTOD34

34



Fan

AUTO BOOSTER D

05-04-2015

Part List ID
AL1 0034

35

Pos	Part no.	Qty	Description	
1	301000908	1	BURNER FAN HOUSING	
2	301000852	1	COVER FOR FAN HOUSING	
3	32535	2	SCREW M5X16	
4	301000889	1	FAN WHEEL D160X60	
5	301000495	1	FAN HOUSE	
6	301000882	1	MOTOR BURNER - 0.18KW/230V/50HZ/1PH	
7	30180	3	HEADLESS SCREW M5X10 DIN 914 ST/ZN	
8	4697	2	SCREW M6X16	
9	101117989	1	OIL PUMP SP55B 4316M KEROSENE	Kerosene
10	101117987	1	SOLENOID 24V KIT	
11	9868	1	O-RING 10.2X2.5 NBR 70	
12	40907	1	O-RING 31.47x1.78 ARP AS 568 A NBR70	
13	1756	1	FILTER CARTRIDGE FOR OIL PUMP	
14	29599	2	UNION PIECE Ø6 G1/8 INCH R12 NBR/CuZn-ni	
15	909100142	1	THREADED JOINT L-TYPE	Up to 26. april 2006
16	1804640	1	BALL 6 A2 KL3-4034 55-58HRC	Up to 26. april 2006
17	17710	2	TUBE DN6X1 PA DIN 73378	PLEASE INDICATE LENGTHS IN METRES WHEN ORDERING
18	28429	1	T-PIECE D6	Up to 26. april 2006
19	1226	1	COUPLING PVC	
20	12496	1	HEXAGON NUT M6	
21	17519	1	HOSE LINER	Up to 26. april 2006
15a	301002070	1	UNION PIECE 4/G1/8	from 27. april 2006
17a	909100141	1	PIPE Ø4X1 DIN 73378 MEWA PA	from 27. april 2006

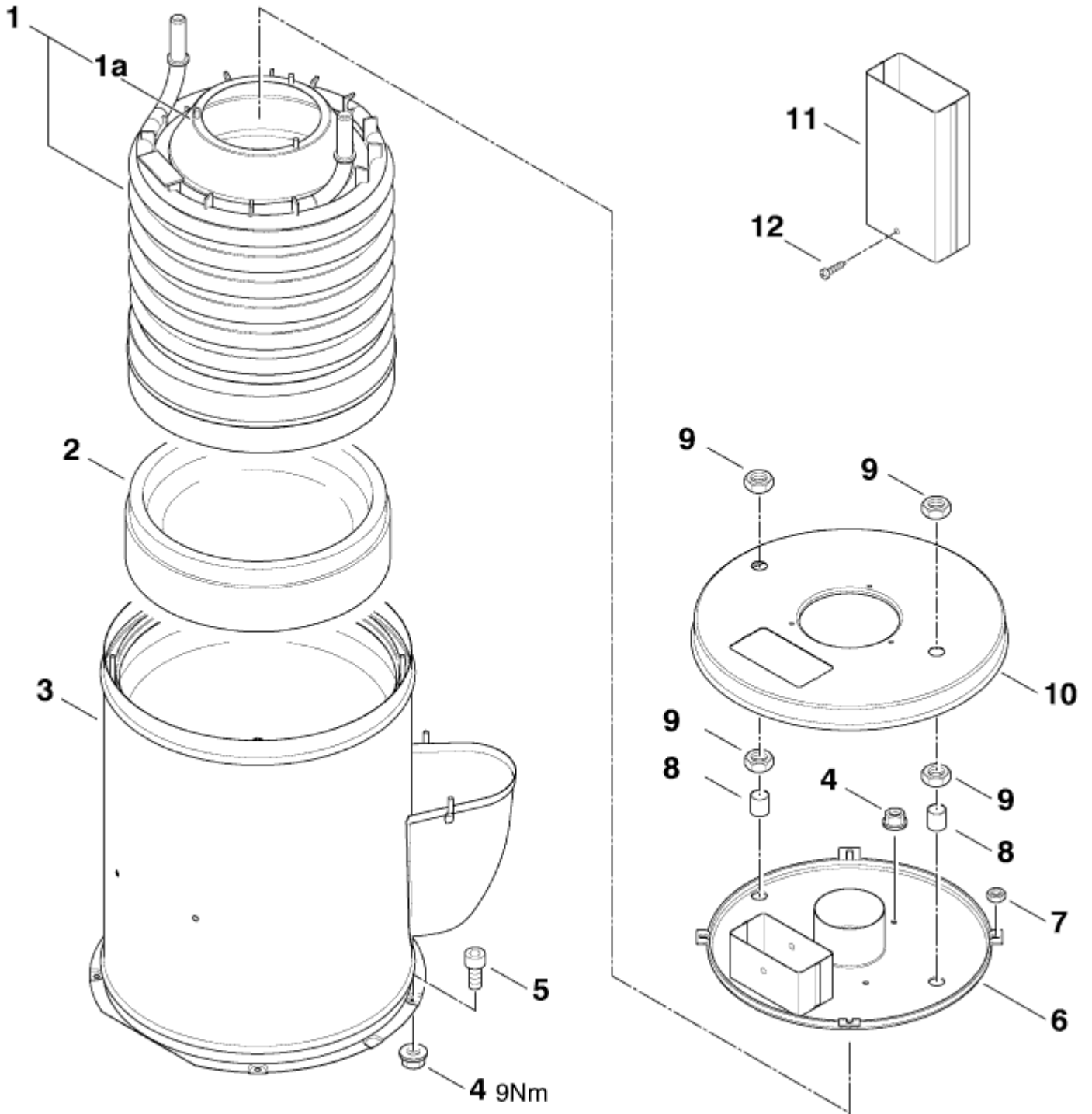
Boiler

AUTO BOOSTER D

05-04-2015

Part List ID
ALTOD28

36



Boiler

AUTO BOOSTER D

05-04-2015

Part List ID
AL1 0028

37

Pos	Part no.	Qty	Description
1	301002854	1	HEATING COIL. SET 35KW
1	301002855	1	HEATING COIL SET SS 35KW Stainless steel
2	301001367	1	INSULATION Ø308X79
3	301001364	1	BOILER SHELL CPL. NEPTUNE
4	12496	7	HEXAGON NUT M6
5	3913	4	SCREW M6X12
6	301001773	1	BOILER COVER INNER
7	12263	4	HEXAGON NUT M6
8	301000582	2	BUSHING Ø22X1.5X24
9	7012	4	HEXAGON NUT M18X1.5
10	301000534	1	BOILER COVER OUTER
11	301001974	1	EXHAUST PIPE
12	1803543	1	SCREW M4X10
1a	301003098	1	SCREENING FUNNEL WITH FLAMETUBE

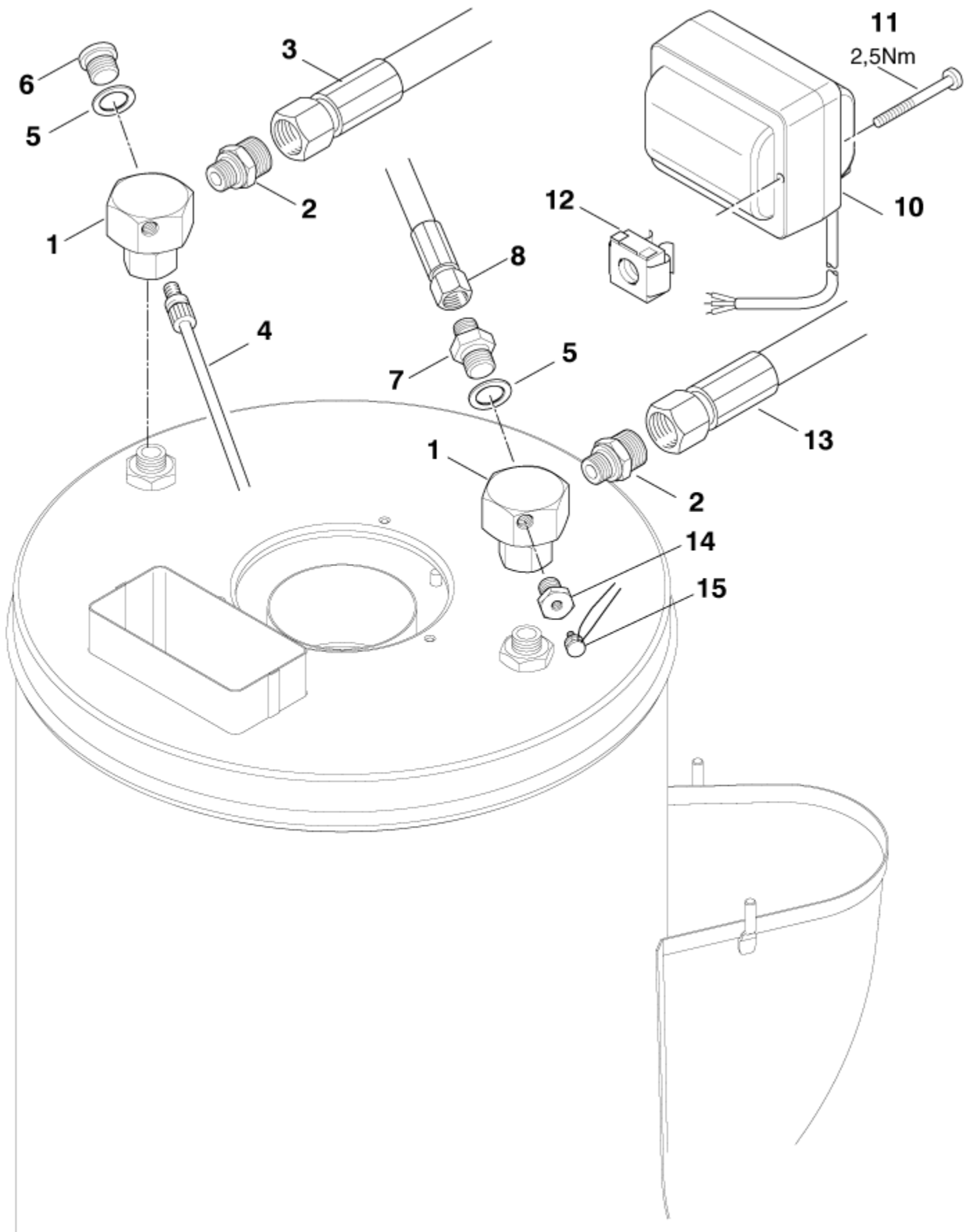
Distributor

AUTO BOOSTER D

05-04-2015

Part List ID
ALTOD30

38



Distributor

AUTO BOOSTER D

05-04-2015

Part List ID
AL10D30

39

Pos	Part no.	Qty	Description
1	301000847	1	DISTRIBUTOR HEXAGON 36X39
2	3938	1	THREADED CONNECTION 1/4 INCH
3	101405741	2	HP HOSE DN10 150 DEGREE COMPL. 1250MM
4	301000732	1	THERMO FUSE 108 DEGREE W/WIRE
5	101814735	2	SEALING WASHER 1/8PP45C
6	4443	1	PLUG
7	1821	1	FITTING XGE 6LR1/8
8	101406046	1	HP HOSE DN6 X 1400MM
10	301000879	1	IGNITION TRANSFORMER
11	1809821	2	SCREW M5X50 DIN 7985
12	909100152	2	NUT M8
13	101405741	1	HP HOSE DN10 150 DEGREE COMPL. 1250MM
14	107317045	1	PLUG FOR SENSOR
15	103822161	1	THERMAL SWITCH 80 GR. C

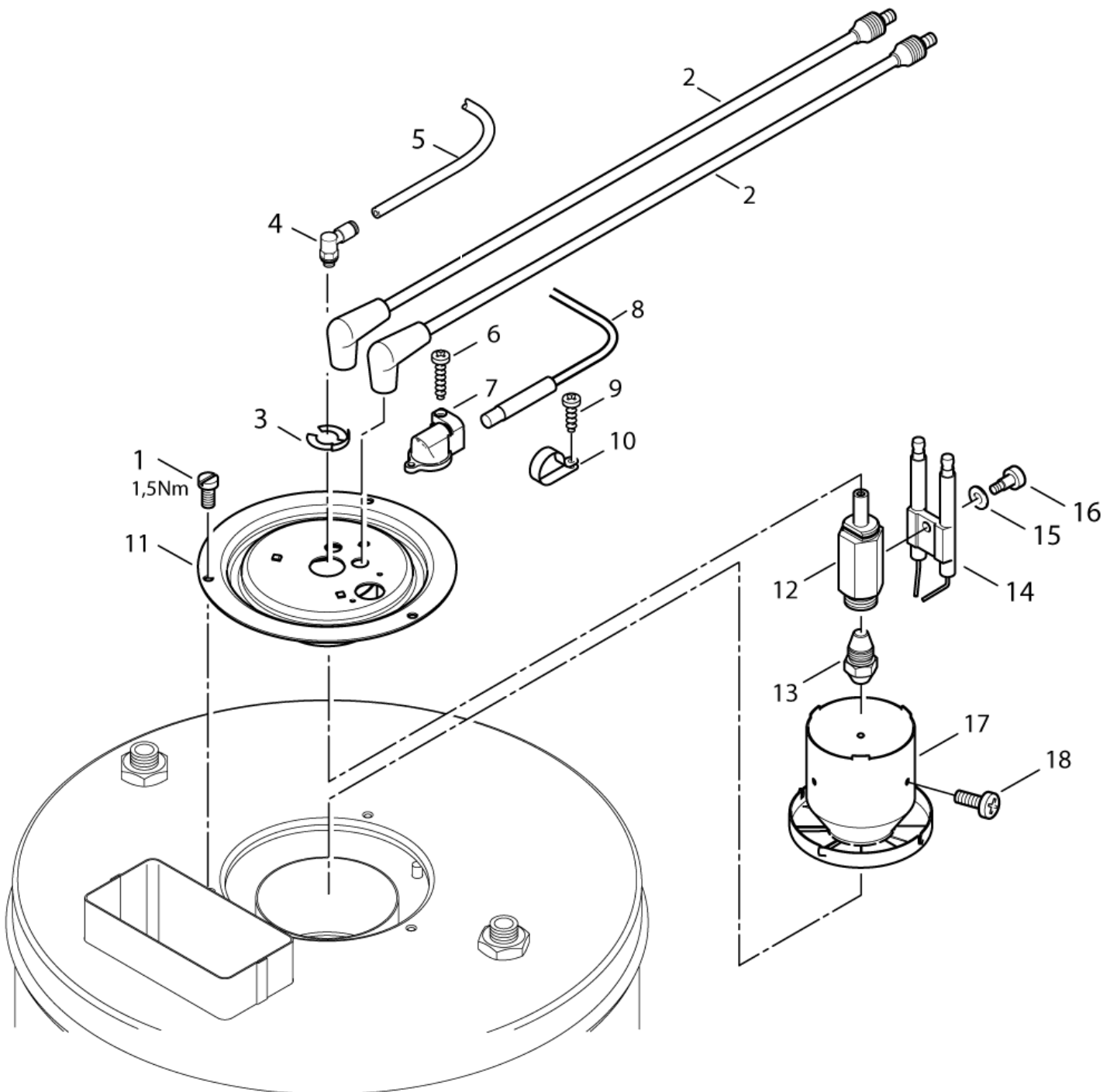
Burner unit from Dec. 2010

AUTO BOOSTER D

05-04-2015

Part List ID
AUTOD038

40



Burner unit from Dec. 2010

AUTO BOOSTER D

05-04-2015

Part List ID
AU10DU38

41

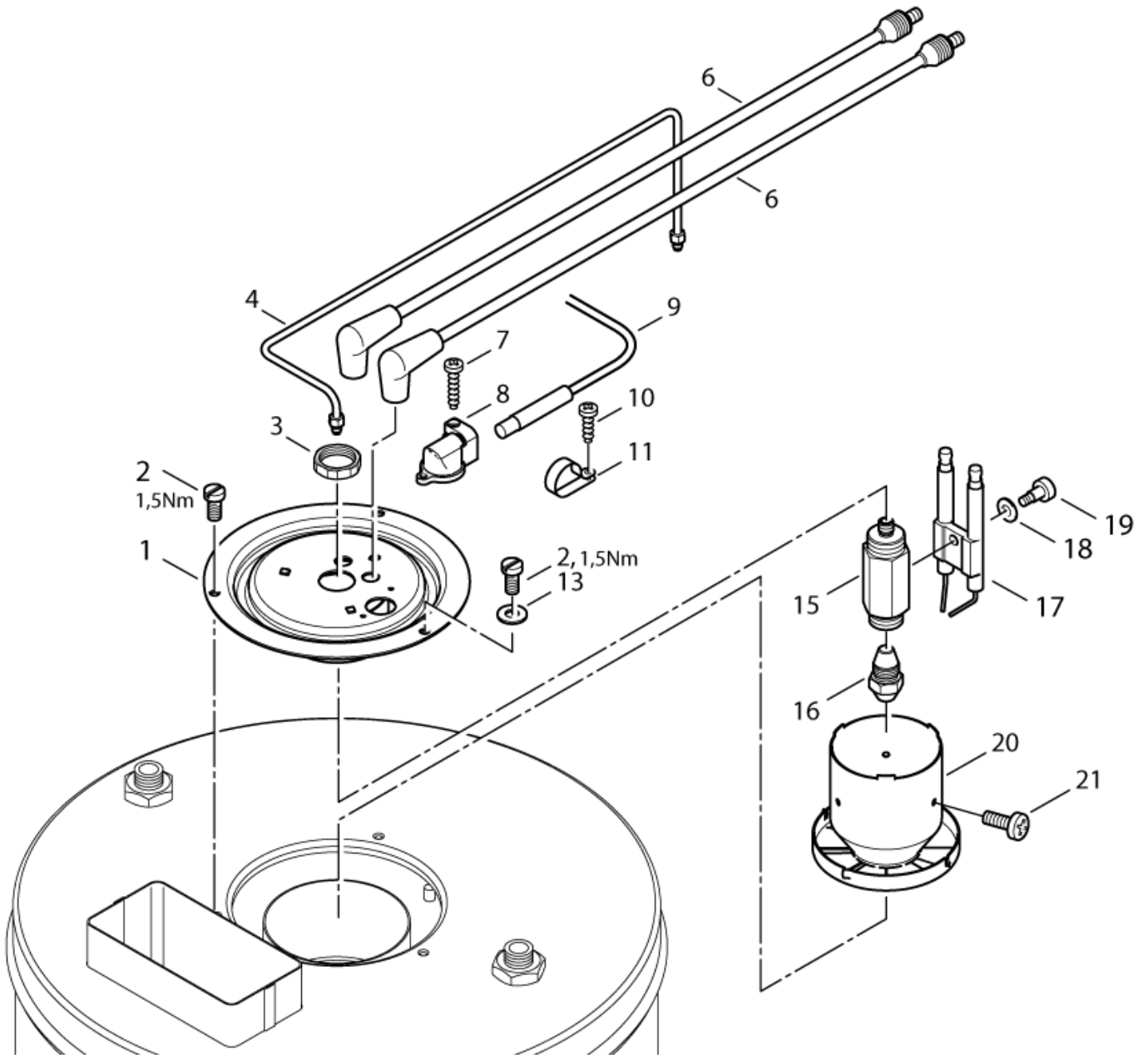
Pos	Part no.	Qty	Description
1	4820	3	SCREW M5X10
2	301000858	1	IGNITION CORD D7X500 W. PLUG
3	101117876	1	CIRCLIPS
4	101117913	1	ELBOW 4/M5 PUSH-IN
5	909100141	1	PIPE Ø4X1 DIN 73378 MEWA PA
6	5606	1	SCREW 2.9X19
7	301000934	1	HOLDER FLAMESENSOR
8	301000729	1	FLAME SENSOR W/PVC WIRE CT 360
9	4036	2	SHEET METAL SCREW 2.9X9
10	301001069	1	HOLDER Ø 4.8
11	301000606	1	COVER D150X38
12	101117915	1	OIL NOZZLE HOLDER
13	301002856	1	FUEL NOZZLE 0.75 60 DEG.
14	301150009	1	SPARE PART KIT FOR IGNITION ELECTRODE
15	909100144	1	SPRING WASHER B5
16	909100143	1	PAN HEAD SCREW M4X 4.5
17	301002848	1	BAFFLE PLATE D80 X71.3
18	51848	3	OVAL HEAD SCREW M3X4

Burner unit AUTO BOOSTER D

05-04-2015

Part List ID
ALTOD32

42



Burner unit

AUTO BOOSTER D

05-04-2015

Part List ID
AL1 0032

43

Pos	Part no.	Qty	Description
1	301000606	1	COVER D150X38
2	4820	3	SCREW M5X10
3	909100139	1	HEXAGON NUT M20X1 24X6 CUZN
4	301001293	1	PIPE BENT Ø 4X100X339X67
6	301000858	2	IGNITION CORD D7X500 W. PLUG
7	5606	1	SCREW 2.9X19
8	301000934	1	HOLDER FLAMESENSOR
9	301000729	1	FLAME SENSOR W/PVC WIRE CT 360
10	4036	1	SHEET METAL SCREW 2.9X9
11	301001069	1	HOLDER Ø 4.8
13	2763	1	WASHER 5.3X1
15	301001548	1	HOLDER OIL ATOMIZER SW22X65.5
16	301002856	1	FUEL NOZZLE 0.75 60 DEG.
17	301150009	1	SPARE PART KIT FOR IGNITION ELECTRODE
18	909100144	1	SPRING WASHER B5
19	909100143	1	PAN HEAD SCREW M4X 4.5
20	301002848	1	BAFFLE PLATE D80 X 71.3
21	51848	3	OVAL HEAD SCREW M3X4

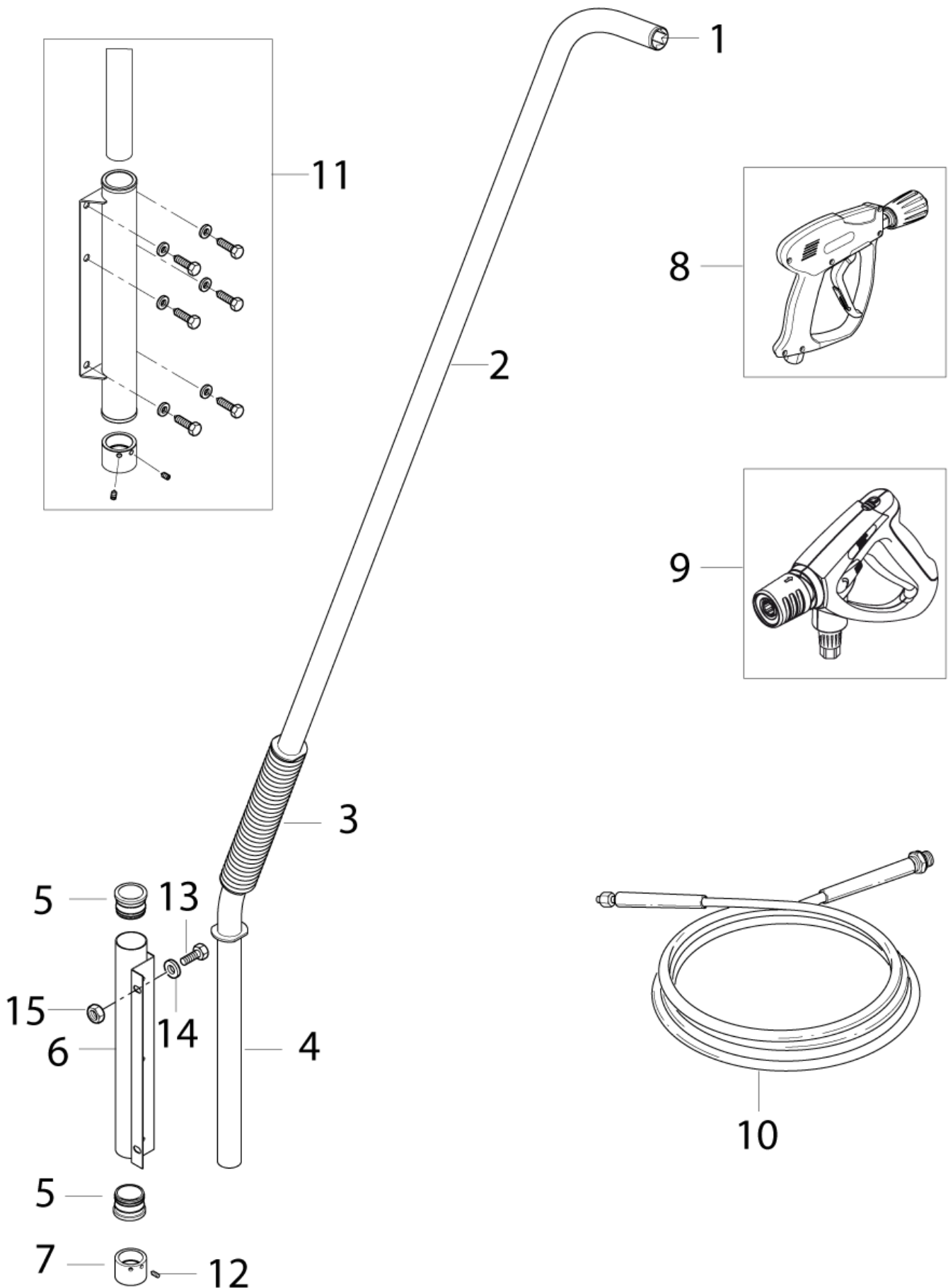
Wash boom

AUTO BOOSTER D

05-04-2015

Part List ID
AUTO28

44



Wash boom

AUTO BOOSTER D

05-04-2015

Part List ID
AU1028

45

Pos	Part no.	Qty	Description	
1	107313212	1	LEAD-IN FOR BOOM	
2	107313259	1	WASH BOOM. WELDED	
3	102602526	1	SPRING	
4	107313258	1	WASH BOOM. WELDED	
5	107313211	2	DRIVING SLEEVE FOR BOOM	
6	107313254	1	BRACKET WELDED	
7	107313261	1	LOCK RING WITH HOSE RELIEF FOR BOOM	
8	106402243	1	WINTER GUN 12 BAR	
9	106403122	1	ERGO 2000 STANDARD W. HOSE SWIVEL	
10	101405641	1	HIGH PRESSURE HOSE DN6X8200MM	
10	101406058	1	HOSE STEEL ARMED DN6X12M	
11	107313262	1	Galgen vormontiert (ohne Schlauch)	incl. pos. 1, 2, 3, 4 and 11
12	101814752	2	POINTED SCREW M6X6	
13	4814109	4	SCREW 8X16 STAINLESS STEEL	
14	1802917	4	WASHER M8 Ø8.4X18X1 A2 DIN125	
15	1809920	4	NUT M8 A2/PA ISO10511	

Default accessories

AUTO BOOSTER D

05-04-2015

Part List ID

AUTO34

46

No Drawing For Part List

Default accessories

AUTO BOOSTER D

05-04-2015

Part List ID
AU I 034

47

Pos	Part no.	Qty	Description
1	101119496	1	ERGO COUPLING KIT
1	101119737	1	NOZZLE 0370 INDICATION RING BRONZE 5-20D, 5-20E
1	101119741	1	NOZZLE 0500 INDICATION RING YELLOW 5-22E
1	106402243	1	WINTER GUN 12 BAR
1	106403037	1	UNIVERSAL PLUS 1080 BENT 170 F. BRUSH
1	106403122	1	ERGO 2000 STANDARD W. HOSE SWIVEL

AUTO BOOSTER Brush, 5-20D, 5-20E

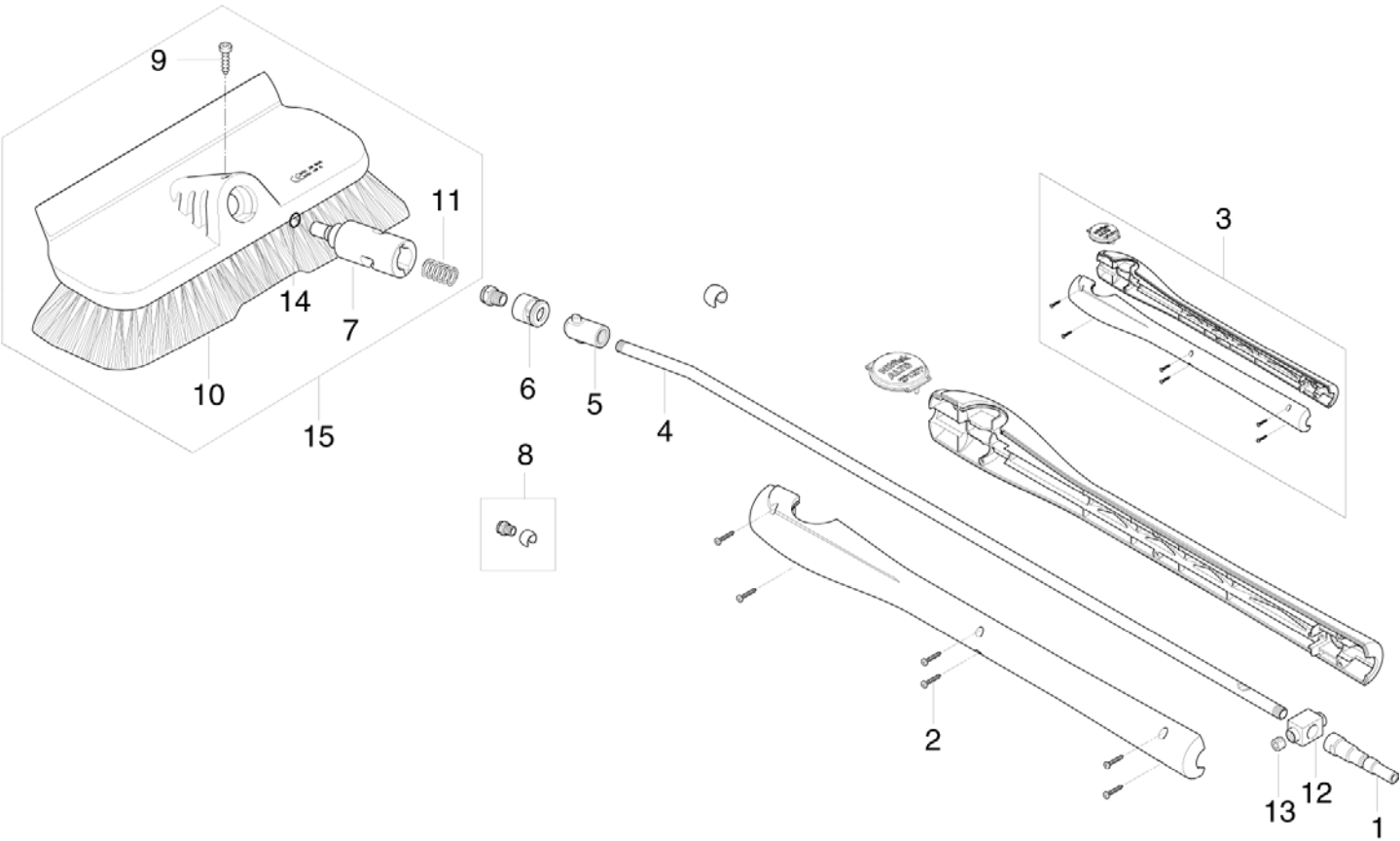
05-04-2015

Part List ID

AUTO30

AUTO BOOSTER D

48



AUTO BOOSTER Brush, 5-20D, 5-20E

AUTO BOOSTER D

05-04-2015

Part List ID

AU1030

49

Pos	Part no.	Qty	Description	
-	106402245	1	BRUSH/LANCE W/0450 NOZZLE	5-20E
0	106402246	1	BRUSH/LANCE W/0370 NOZZLE	5-20D
0	106402247	1	BRUSH/LANCE W/0600 NOZZLE	5-20D, Norway
1	1609325	1	NIPPLE FOR SPRAY LANCE STAN.L	
2	1814585	5	PT-SCREW K30X12 WN1452 - BLACK TORX	
3	106408051	1	KIT SPRAY LANCE SHELLS	
4	106408080	1	HP-TUBE BENT D13L1070 SS	
5	106402572	1	ADAPTER FOR ERGO 3000 BRUSH	
6	18430	1	NOZZLE PROTECTION CAP PA	
7	106402573	1	FITTING FOR BRUSH	
8	101119737	1	NOZZLE 0370 INDICATION RING BRONZE	5-20D
8	101119740	1	NOZZLE 0450 INDICATION RING LIGHT BLUE	5-20E
8	101119744	1	NOZZLE + INDICATION RING 0600	5-20D, Norway
9	1814532	1	PT-Screw K30X10 WN1452 Zinc-nickel black	
10	106402574	1	BRUSH FOR AUTO BOOSTER GREEN	
11	102602527	1	SPRING FOR BRUSH	
12	106402438	1	FITTING BRASS	
13	106402439	1	SET SCREW FOR FITTING	
14	3000072	1	O-RING 10.1X1.6 NITRIL 70SH	
15	106402241	1	SELF-SERVICE BRUSH AUTO BSTER	

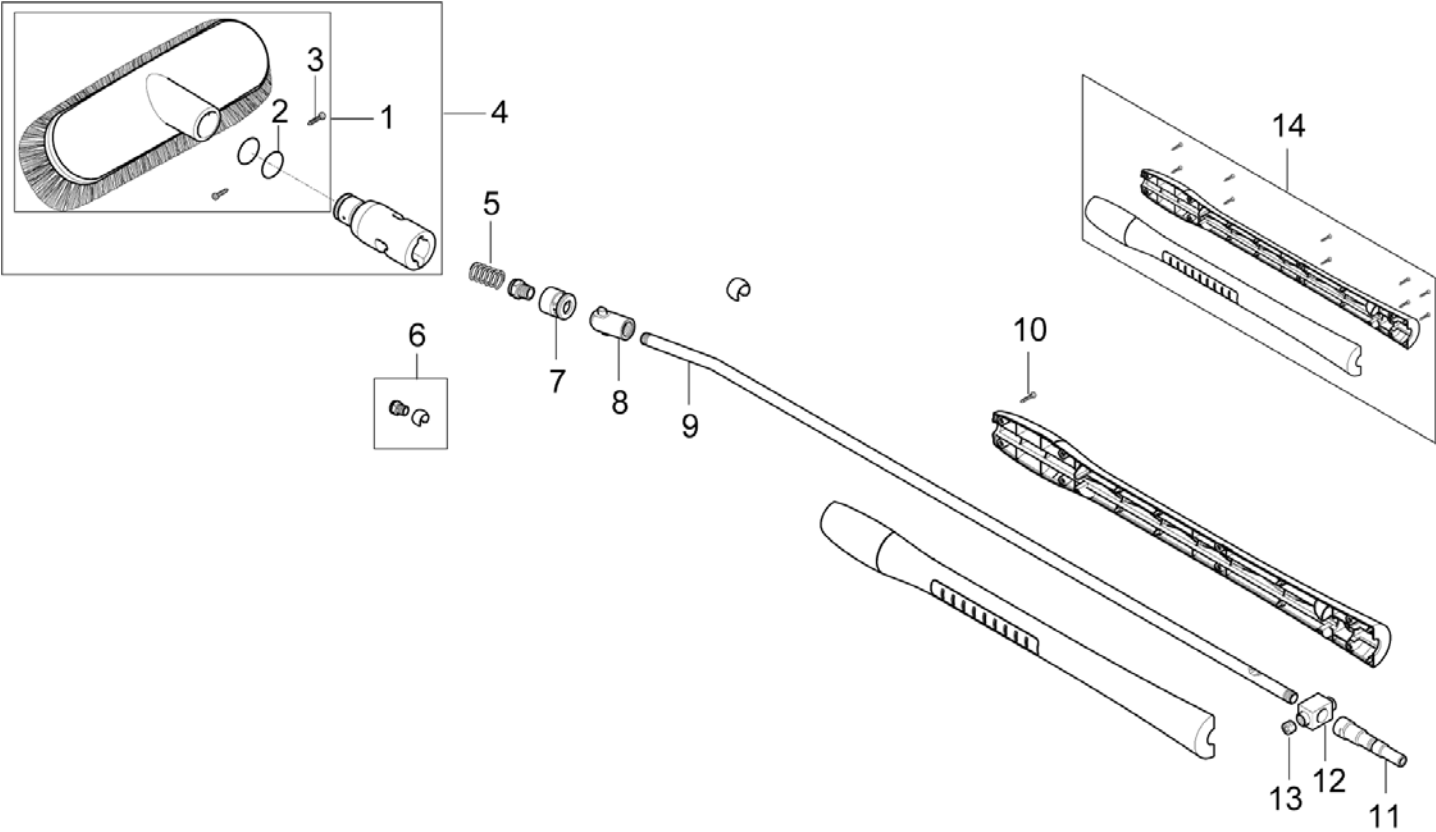
AUTO BRUSH 3013

AUTO BOOSTER D

05-04-2015

Part List ID
AUTOB5D34

50



AUTO BRUSH 3013

AUTO BOOSTER D

05-04-2015

Part List ID
AU10B5D34

51

Pos	Part no.	Qty	Description
1	106402763	1	BRUSH W/HOLES
2	3000320	2	O-RING 20X3 NITRIL
3	1814532	2	PT-Screw K30X10 WN1452 Zinc-nickel black
4	106402762	1	BRUSH F. AUTO BOOSTER W/ADAPTOR
5	102602527	1	SPRING FOR BRUSH
6	101119737	1	NOZZLE 0370 INDICATION RING BRONZE
6	101119740	1	NOZZLE 0450 INDICATION RING LIGHT BLUE
6	101119744	1	NOZZLE + INDICATION RING 0600
7	18430	1	NOZZLE PROTECTION CAP PA
8	106402572	1	ADAPTER FOR ERGO 3000 BRUSH
9	106408080	1	HP-TUBE BENT D13L1070 SS
10	1814585	10	PT-SCREW K30X12 WN1452 - BLACK TORX
11	1609325	1	NIPPLE FOR SPRAY LANCE STAN.L
12	106402438	1	FITTING BRASS
13	106402439	1	SET SCREW FOR FITTING

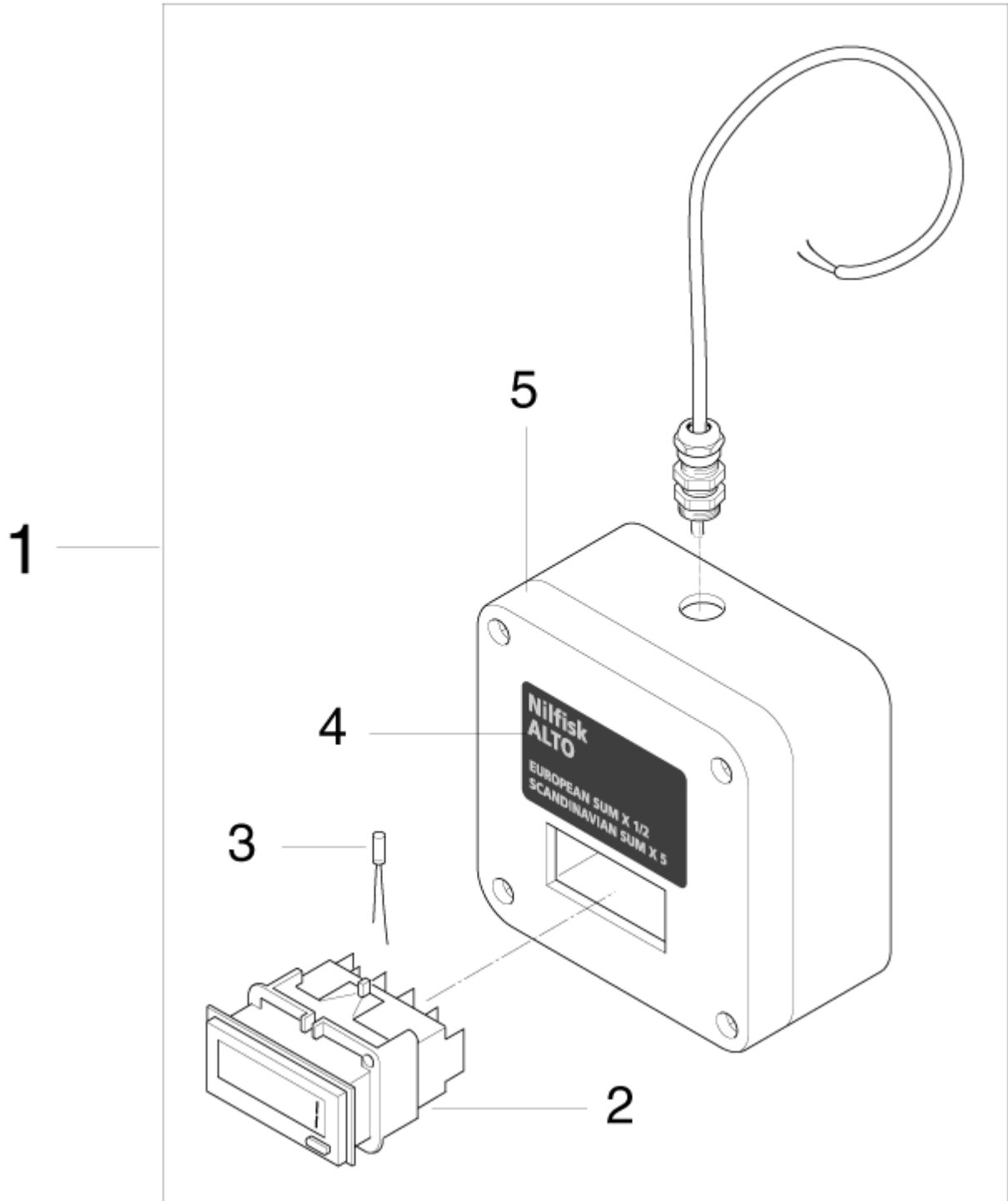
Coin-counter

AUTO BOOSTER D

05-04-2015

Part List ID
AUTOD41

52



Coin-counter

AUTO BOOSTER D

05-04-2015

Part List ID
AU10D41

53

Pos	Part no.	Qty	Description
1	107370976	1	ACCESSORY COIN COUNTER
2	103822064	1	TOTAL COUNTER H7EC
3	103822068	1	CAPACITOR 1UF
4	107319163	1	LABEL FOR COIN-COUNTER
5	103822063	1	CONNECTION BOX 105X105X66

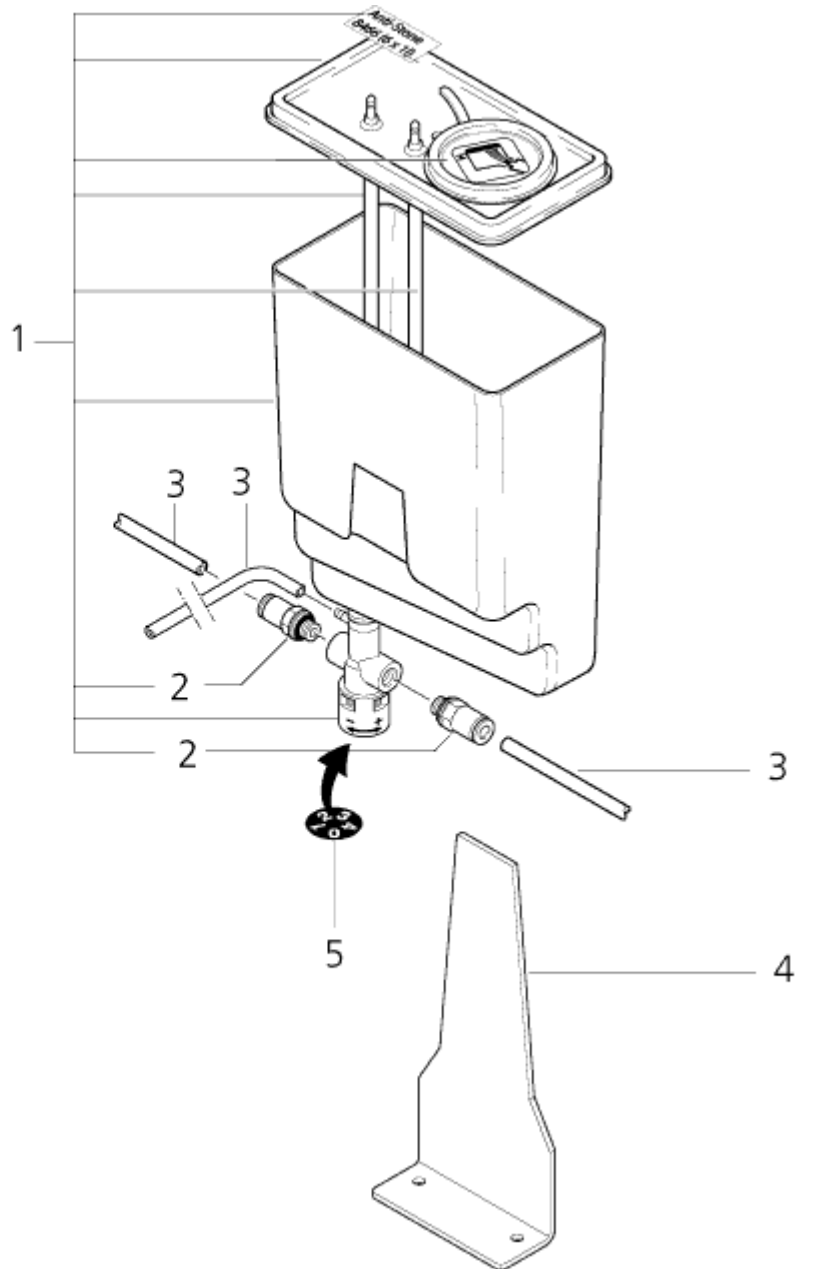
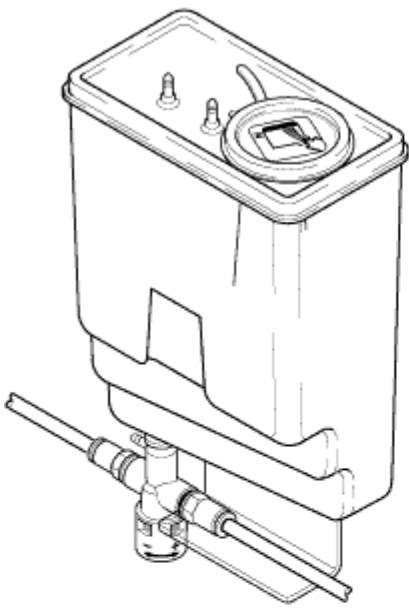
No-scale

AUTO BOOSTER D

05-04-2015

Part List ID
AUTOD40

54



No-scale

AUTO BOOSTER D

05-04-2015

Part List ID
AU10D40

55

Pos	Part no.	Qty	Description
1	107318061	1	NO-SCALE CONTAINER
2	301002070	2	UNION PIECE 4/G1/8
3	909100141	3	PIPE Ø4X1 DIN 73378 MEWA PA
4	107318060	1	SUPPORT FOR NO-SCALE
5	301000915	1	LABEL D20

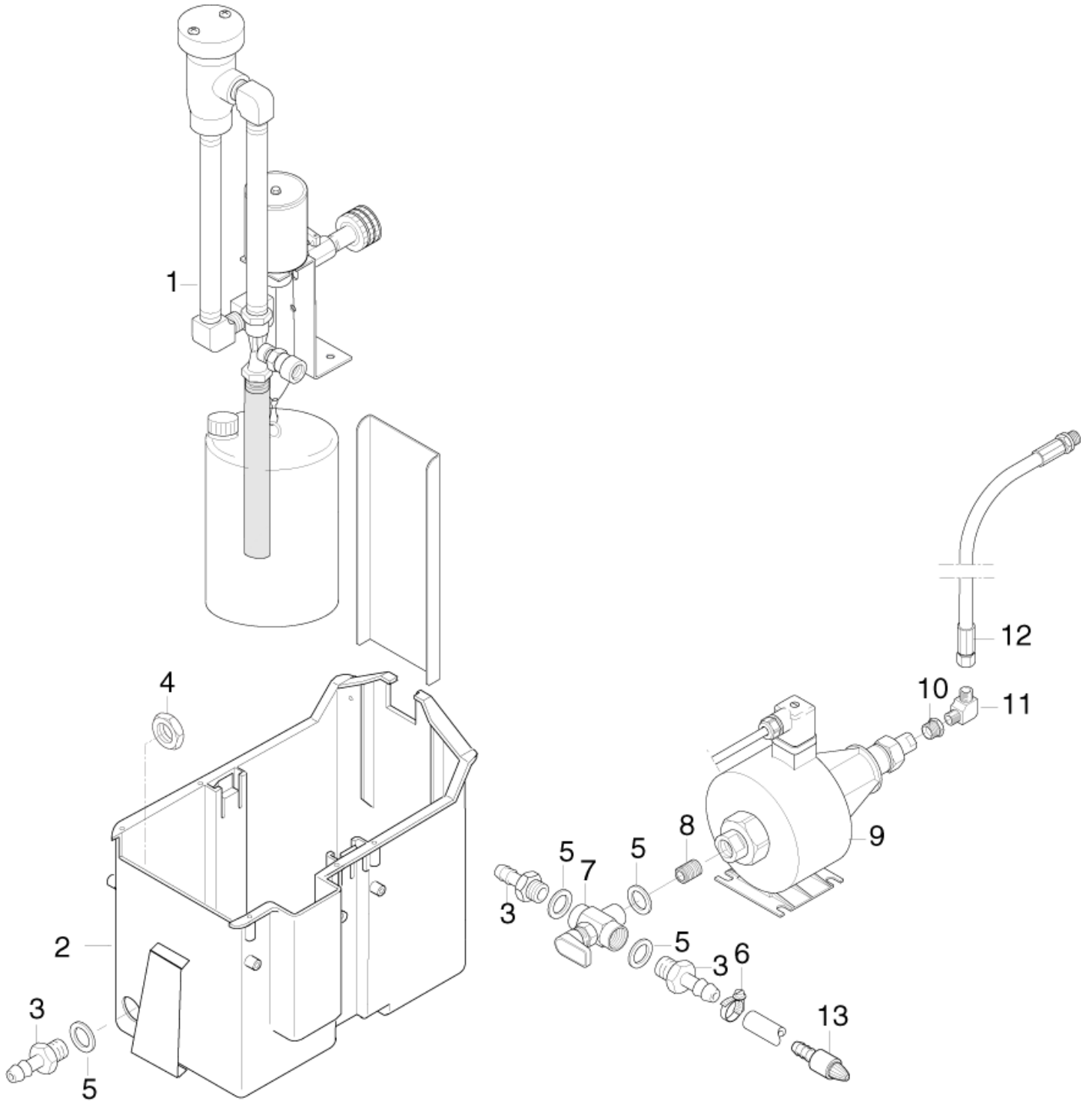
Chemical prewash - NO

AUTO BOOSTER D

05-04-2015

Part List ID
AUTOD36

56



Chemical prewash - NO

AUTO BOOSTER D

05-04-2015

Part List ID
AU10D36

57

Pos	Part no.	Qty	Description
1	103403272	1	INJECTOR COMPLETE HYDROMINDER
2	44236	1	WATER BREAK TANK
3	101609395	3	HOSE NIPPLE 3/8
4	1399	1	NUT 6KT- G3/8 FLANGE MS
5	1801075	5	PACKING RING 23.8X17.2X2 3/8 INCH St-NBR
6	101609377	1	THREADED CONNECTION 6L3/8
7	103403273	1	BALL VALVE 3/8
8	1600147	1	UNION CONNECTOR 3/8 X 23M
9	103822254	1	CHEMICAL PUMP
10	101609361	1	NIPPLE 3/8X1/8
11	101609393	1	V-CONNECTION 6 1/8
12	101405641	1	HIGH PRESSURE HOSE DN6X8200MM
12	101406058	1	HOSE STEEL ARMED DN6X12M
13	103403275	1	NON RETURN VALVE LOW PRESSURE
14		1	FITTING FOR CHEMICAL PREWASH

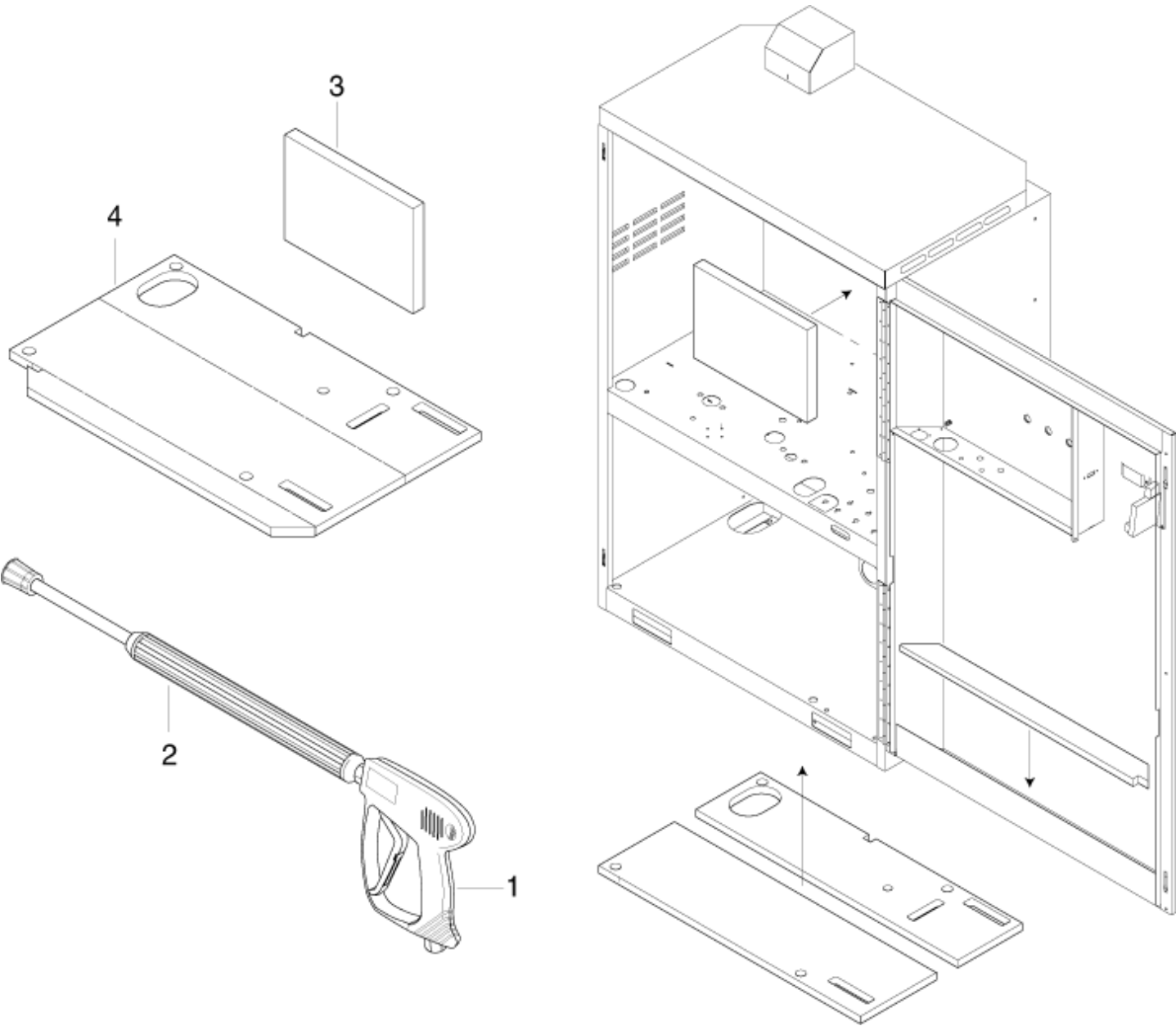
Chemical prewash - NO (spray handle, lance and

AUTO BOOSTER D

05-04-2015

Part List ID
AUTOD38

58



Chemical prewash - NO (spray handle, lance and AUTO BOOSTER D

05-04-2015

Part List ID
AU10D38

59

Pos	Part no.	Qty	Description
1	106404377	1	SPRAY HANDLE AUTO BOOSTER NO
2	106404378	1	LANCE COMPL.
3	107318052	1	ISOLATION CABINET NO
4	107318053	1	ISOLATION FOR BOTTOM PLATE

Recommended spare parts

AUTO BOOSTER D

05-04-2015

Part List ID
AUTOD44

60

No Drawing For Part List

Recommended spare parts

AUTO BOOSTER D

05-04-2015

Part List ID
AU10D44

61

Pos	Part no.	Qty	Description	
A	101117989	1	OIL PUMP SP55B 4316M KEROSENE	A
A	101119411	1	REP.KIT PISTON	A
A	106402243	1	WINTER GUN 12 BAR	A
A	106402574	1	BRUSH FOR AUTO BOOSTER GREEN	A
A	107144146	1	PUMP OIL NA5 1X1 LITER BOTTLE	A
A	107312039	1	FILTER	A
A	1756	1	FILTER CARTRIDGE FOR OIL PUMP	A
A	301000732	1	THERMO FUSE 108 DEGREE W/WIRE	A
A	301000905	1	PISTON D14.6X25.5	A
A	301001148	1	KIT PISTON SEALING Ø18	A
A	301001150	1	KIT OIL SEALING	A
A	301001151	1	KIT SUPPORT RING Ø18	A
A	301001153	1	KIT VALVE 6 PCS	A
A	301001367	1	INSULATION Ø308X79	A
A	301002856	1	FUEL NOZZLE 0.75 60 DEG.	A
A	301150009	1	SPARE PART KIT FOR IGNITION ELECTRODE	A
A	31000342	1	FILTER 3/4 INCH	A
A	34225	1	FILTER FOR FLOAT VALVE Ø19.5 KU	A
A	3812385	1	FUSE D5x20 6.3A VISCOUS US	A
A	56519	1	O-RING 6.5x3.0 SMS 1586 NBR90	A
A	64314	1	REPAIR KIT	A
B	102406658	1	HOSE 6X1.5X117 NOVOP.	B
B	107318167	1	FLOAT VALVE DN10 FLOAT BALL KIT	B
C	101117987	1	SOLENOID 24V KIT	C
C	101118018	1	MOTOR ELD112 2.2KW 230V 1PH	C
C	101118019	1	MOTOR 4.5KW 230/400 3 PHASE	C
C	101405641	1	HIGH PRESSURE HOSE DN6X8200MM	C
C	101405741	1	HP HOSE DN10 150 DEGREE COMPL. 1250MM	C
C	101406045	1	HIGH PRESSURE HOSE F. AUTO E12	C
C	101406046	1	HP HOSE DN6 X 1400MM	C
C	101406058	1	HOSE STEEL ARMED DN6X12M	C
C	103821847	1	CONTROL TRANSFORMER 230V 24/19	C
C	103821898	1	OVERCURRENT RELAY 10-16A	C
C	103821903	1	OVERCURRENT RELAY 18-25A	C
C	103822009	1	RESISTANCE 27K	C
C	103822011	1	Safety device AEG C10 1P-N	C
C	103822012	1	SAFETY DEVICE 3X230V	C
C	103822019	1	ROTARY KNOB ASSEMBLY. WAD 301	C
C	103822026	1	SOLENOID VALVE 230V 50HZ	C
C	103822046	1	SAFETY THERMOSTAT 97DGC	C
C	103822056	1	THERMOSTAT -3 5 - +35DGC	C
C	103822056	1	THERMOSTAT -3 5 - +35DGC	C

A-Parts. Wearing parts. Number of machines x1,2

B-Parts. Wearing parts. Number of machines x0,6

C-Parts: Wearing parts. Number of machines x0,4

Recommended spare parts

AUTO BOOSTER D

05-04-2015

Part List ID
AU10D44

62

Pos	Part no.	Qty	Description	
C	103822161	1	THERMAL SWITCH 80 GR. C	C
C	103822213	1	CHEMICAL PUMP 4L/H	C
C	103822260	1	OVERCURRENT RELAY 3-POL 16A 10KA	C
C	103822262	1	OVERCURRENT RELAY 3-POL 20A 10KA	C
C	103822306	1	CONTACTOR CJX2-D18 18A 24V 3P+NO	C
C	103822307	1	CONTACTOR CJX2-D18 18A 24V 3P+NC	C
C	103822312	1	CONTACTOR CJX2-D25 25A 24V 3P+NC	C
C	103822313	1	CONTACTOR CJX2-D25 25A 24V 3P+NO/US	C
C	103822327	1	THERMAL RELAY 12-18AMP	C
C	106420051	1	CIRCUIT BOARD WITHOUT FUSES	C
C	107318035	1	COIN ACCEPTOR GBP EURO SCF	C
C	107318036	1	COIN ACCEPTOR NOK DKK SEK	C
C	107318040	1	TIMER FOR COIN	C
C	107318144	1	REPLACEMENT KIT CENTRIFUG.PUMP	C
C	107318151	1	THERMOSTAT 20-60	C
C	107318152	1	THERMOSTAT 20-53GR	C
C	22297	1	HEATING ELEMENT 6 KW	C
C	301000731	1	MICRO SWITCH 250V	C
C	301000858	1	IGNITION CORD D7X500 W. PLUG	C
C	301000879	1	IGNITION TRANSFORMER	C
C	301001146	1	KIT PISTON Ø18MM	C
C	3717	1	O-RING 42.0X3.0 NITRIL 90 SMS 1586	C
C	3817319	1	OVERLOAD CUT-OUT KTA 3-25-16	C
C	3817582	1	LEVEL SENSOR LS103-12	C
C	3830133	1	REED CONTACT	C
C	53730	1	SOLENOID VALVE 24Vdc	C
C	5905	1	ROLLER BEARING 6306-2Z-C3 120 DEGREES C	C
C	63349	1	FLOAT VALVE	C
C	6367	1	ROLLER BEARING 6206-2Z-C3	C

A-Parts. Wearing parts. Number of machines x1,2

B-Parts. Wearing parts. Number of machines x0,6

C-Parts. Wearing parts. Number of machines x0,4