

PARTS LIST



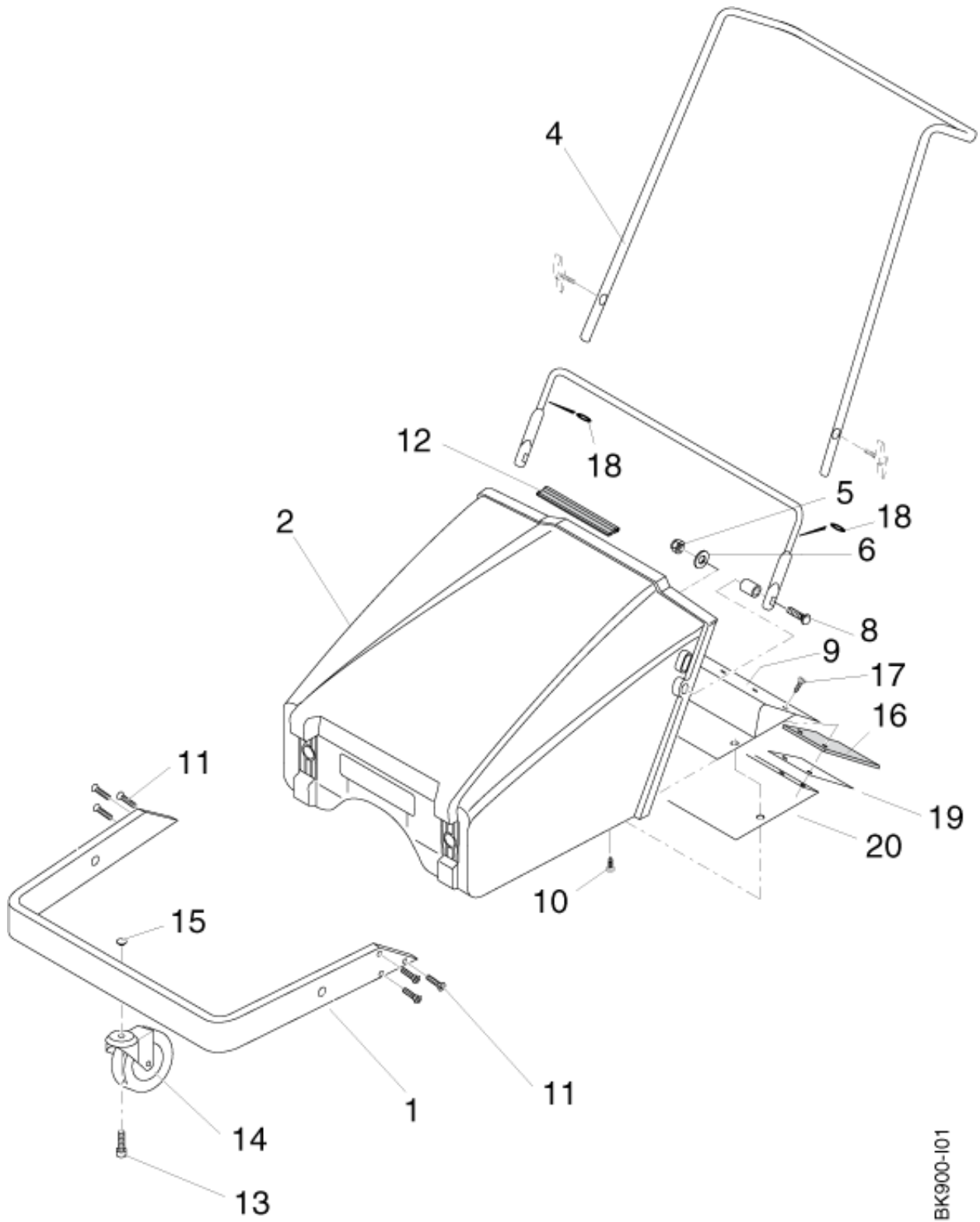
2015.09.25

www.nilfisk-alto.com

Nilfisk
ALTO
works for you

TABLE OF CONTENTS

Container. Bow 1
Chassis 3
Side brush 5

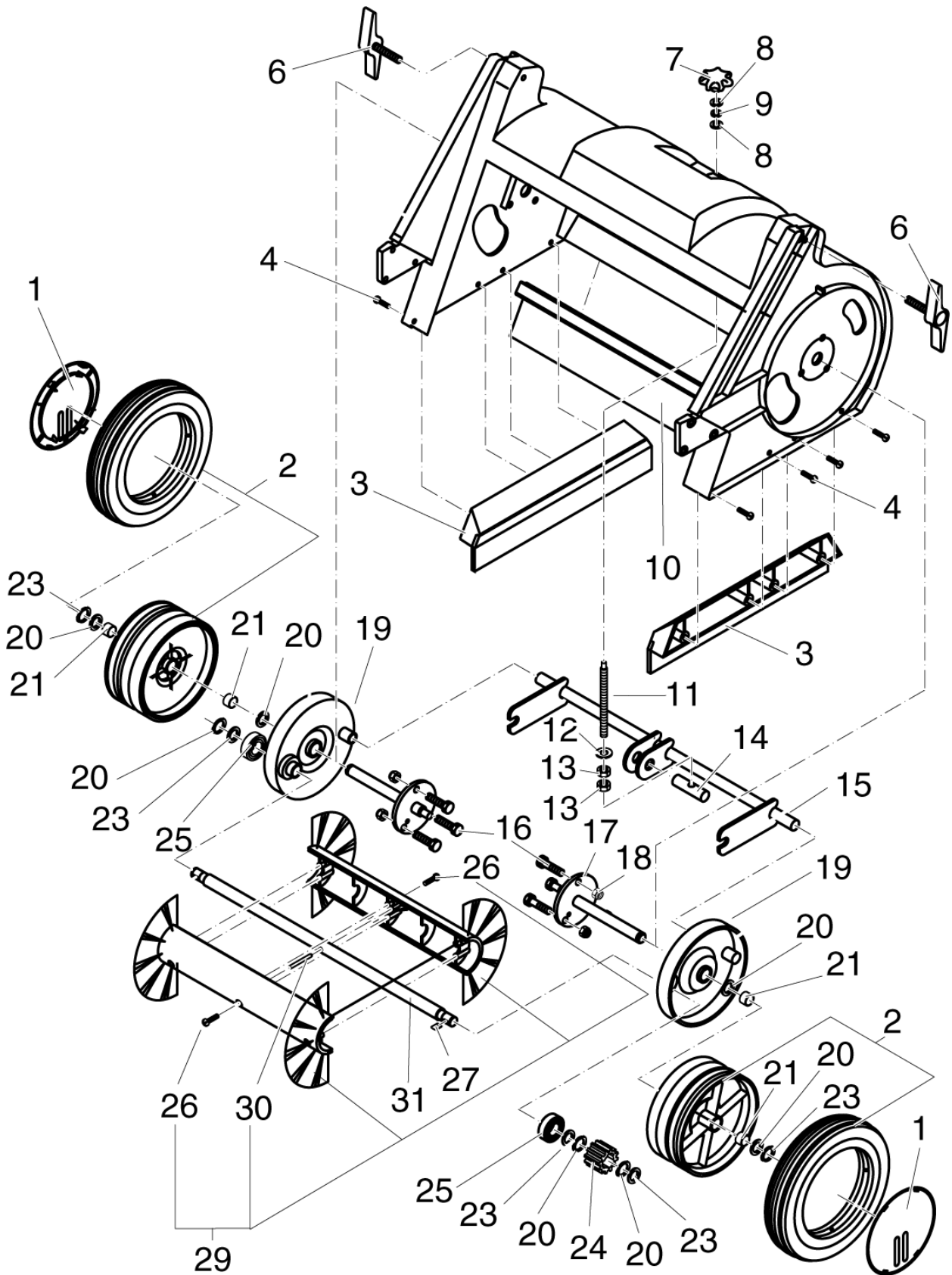


BK900-I01

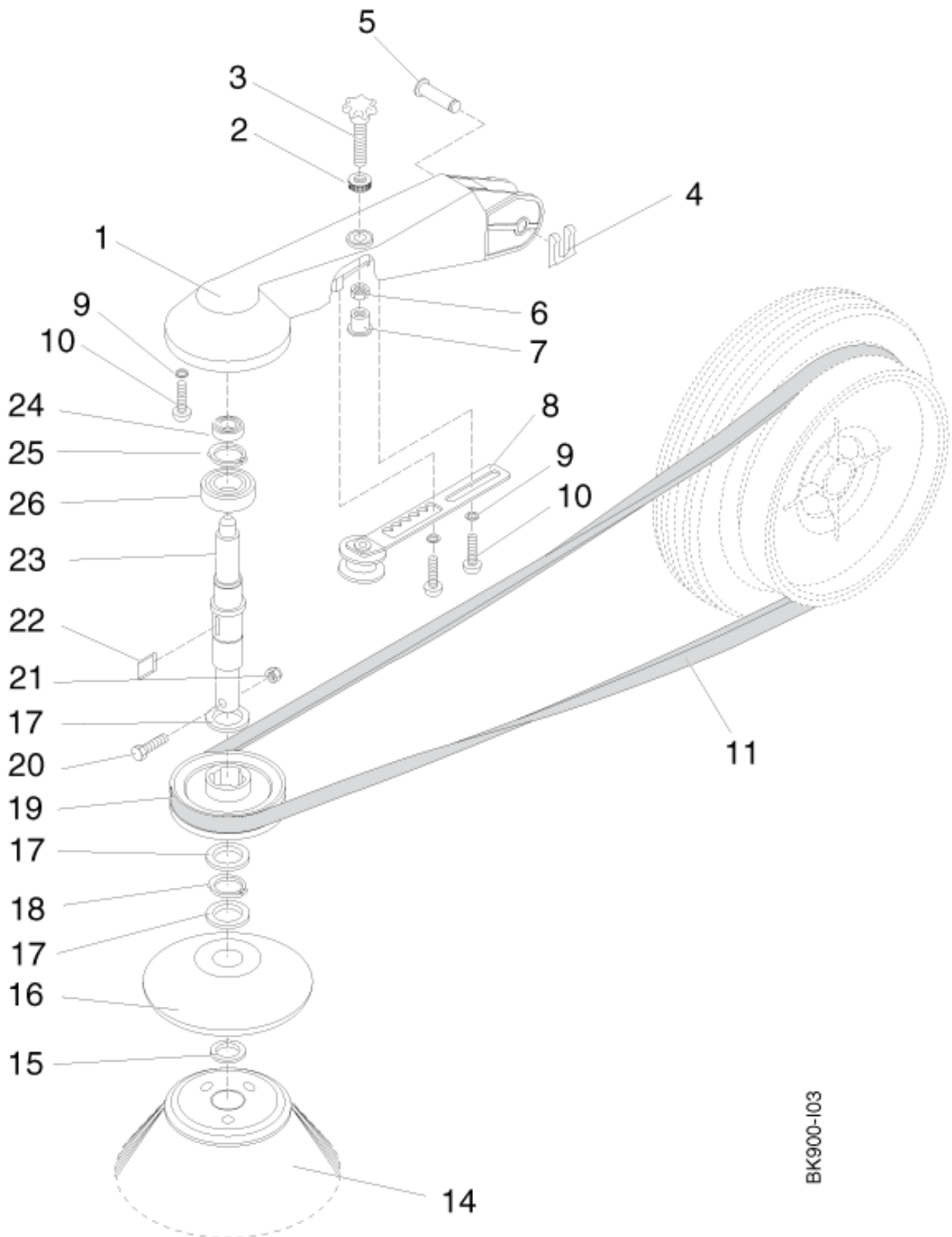
Pos.	Numer Produktu	ilość	Opis	Notes
00	31000270	1	CARDBOARD BOX BK 900	
01	303000256	1	FRAME BK900	
02	64583	1	CONTAINMENT SHELL	[1]
04	60712	1	BOW	
05	11619	2	Lock Nut M6 - 8 A2K DIN985	
06	2766	2	WASHER 6.4X1.6	
08	17192	2	FLAT HEAD SCREW M6X30 DIN 603 ZN	
09	60715	1	BRACKET	
10	5190	7	TREAD-CUTTING SCREW 4.8X13 C-H ISO 7049	
11	8946	6	COUNTERSUNK SCREW M6X16 ISO 7046 ZN	
12	60714	1	SEALING PROFILE	
13	34220	1	CYLINDER SCREW M10X25 ISO 4762 ZN	
14	42964	1	ROLKA PROWADZĄCA	
15	6767	1	STOPPER	
16	60716	1	RUBBER STRIP	
17	8822	7	TREAD-CUTTING SCREW 3.5X9.5 C-H ISO 7049	
18	1380	2	O-RING 15,0 X 3,5 SMS1586 NBR70	
19	65600	1	SUPPORT 1X460X34	
20	65601	1	ANGLE	

Part Notes:

[1] - consisting of: Pos. 2,3,5,6,7,8,9,10,12, 16,17,18



Pos.	Numer Produktu	ilość	Opis	Notes
01	67096	2	HUB CAP Ø204 BLUE COL.10	
02	60723	2	WHEEL	
03	60724	2	DIRT PAN	
04	10028	8	SRUBA KA50X14 WN1411	
06	31000152	2	WING NUT	
07	6452	1	STAR KNOB M8 DIN 6339	
08	2762	2	WASHER 8.4X1.6	
09	16135	1	NUT	
10	60725	1	SEALING PROFILE	
11	303000075	1	SET SCREW	
12	2793	1	WASHER 8.4X2	
13	2758	2	HEXAGON NUT M8	
14	60730	1	BOLT	
15	303000201	1	LEVER SHAFT	
16	2754	6	HEX. SCREW M6X16 ISO 4017 ST 8.8/ZN	
17	60726	2	AXLE Ø 75X115	
18	11619	6	Lock Nut M6 - 8 A2K DIN985	
19	303000227	2	COVER Ø 205X50	
20	60727	8	SHIM RING AND SUPPORTING	
21	60729	4	BUSHINGS Ø 20X Ø16X16	
23	27180	5	RETAINING RING FOR SHAFT	
24	60728	1	SPOKED WHEEL 16 BK900	
25	42853	2	ANTI-FRICTION BEARING 600	
26	40108	6	TREAD-CUTTING SCREW 4.8X32 F-H ISO 7049	
27	60732	1	CONE 18X10X3 BK 900	
29	60642	1	MIOTŁA GŁÓWNA 250X480 PPL	
30	53610	1	PIN Ø 6X53	
31	31000170	1	SHAFT	



BK900-I03

Pos.	Numer Produktu	ilość	Opis	Notes
01	60717	1	BRACKET	
02	27222	1	KNURLED THUMB NUT	
03	43286	1	STAR KNOB M8X55 DIN 6336 ST/ZN	
04	34480	1	RETAINING WASHER D9 A2	
05	60731	1	BOLT	
06	2758	1	HEXAGON NUT M8	
07	303000247	1	PROTECTIVE SLEEVE Ø11X12	
08	60718	1	PULLEY BK 900	
09	2766	3	WASHER 6.4X1.6	
10	34716	3	TREAD-CUTTING SCREW 6.3X25 C-H ISO 7049	[1]
11	60719	1	V-BELT 8X1765	
14	60641	1	MIOTŁA BOCZNA PPL	
15	60720	1	SHIM RING 14X20X0.5	
16	60721	1	DEFLECTOR PLATE	
17	60727	3	SHIM RING AND SUPPORTING	
18	27180	1	RETAINING RING FOR SHAFT	
19	60733	1	V-BELT PULLEY	
20	8918	1	HEX. SCREW M6X30 ISO 4017 ZN	
21	11619	1	Lock Nut M6 - 8 A2K DIN985	
22	60732	1	CONE 18X10X3 BK 900	
23	303000246	1	SIDE BRUSH HANDLEBAR BK 900	
24	7114420	1	BEARINGS 6000 2RS	
25	27279	1	SAFETY RING	
26	44940	1	BEARING	

Part Notes:

[1] - STOCK COVERS GUARANTEE

