

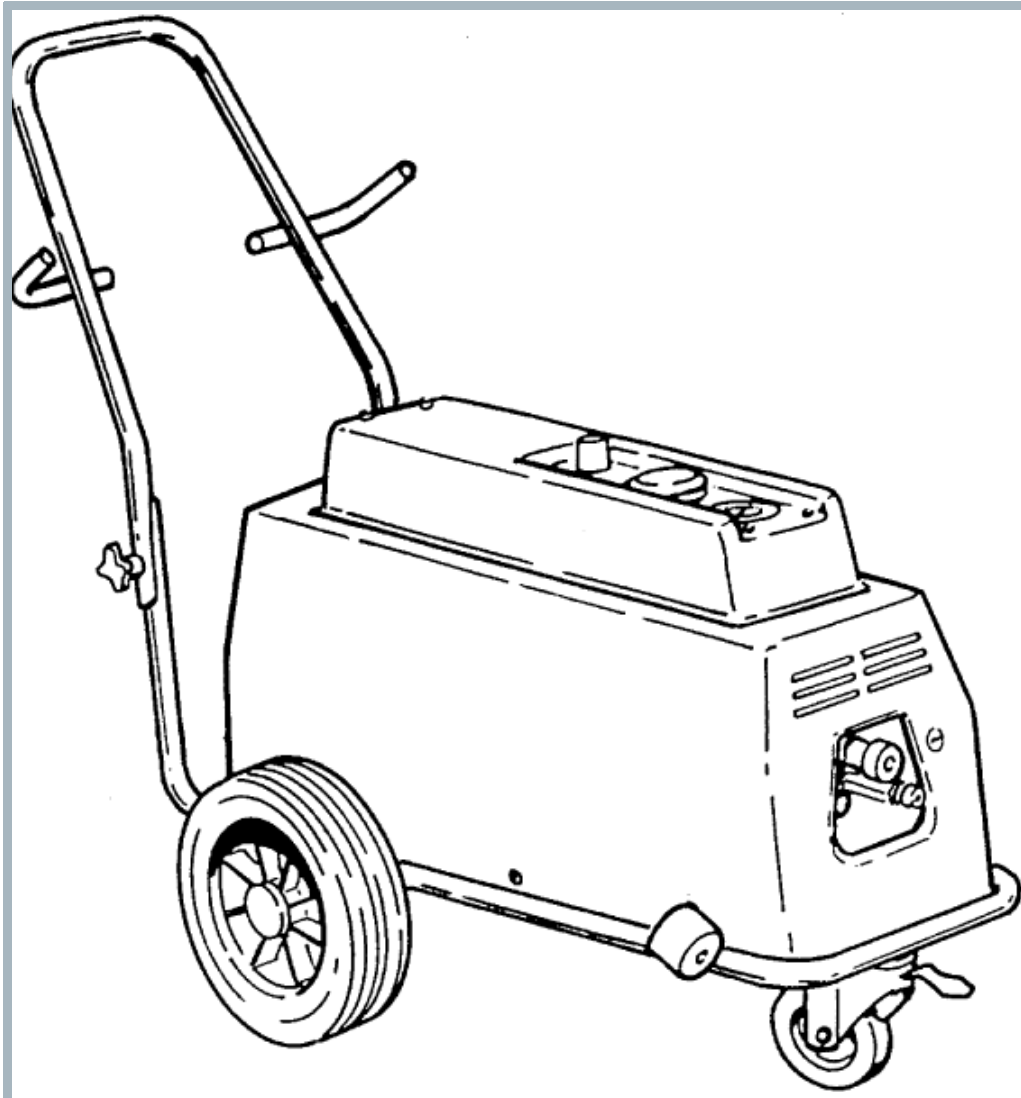
03K-C3K/A

Model:

4403K-44C3K

44C3KRA

5203K-52C3K



Stykliste Dansk

06-02-2015

Nilfisk
ALTO
works for you

www.nilfisk-alto.com

Indholdsfortegnelse

03K-C3K/A

Cabinet	3
Motor pump unit mounted in chassis	5
CHASSIS	7
Motor pump unit 1	9
Motor pump unit 2	11
Motor pump unit 3	13
Electric parts C3KA	16
Electric parts 03K	18

Cabinet

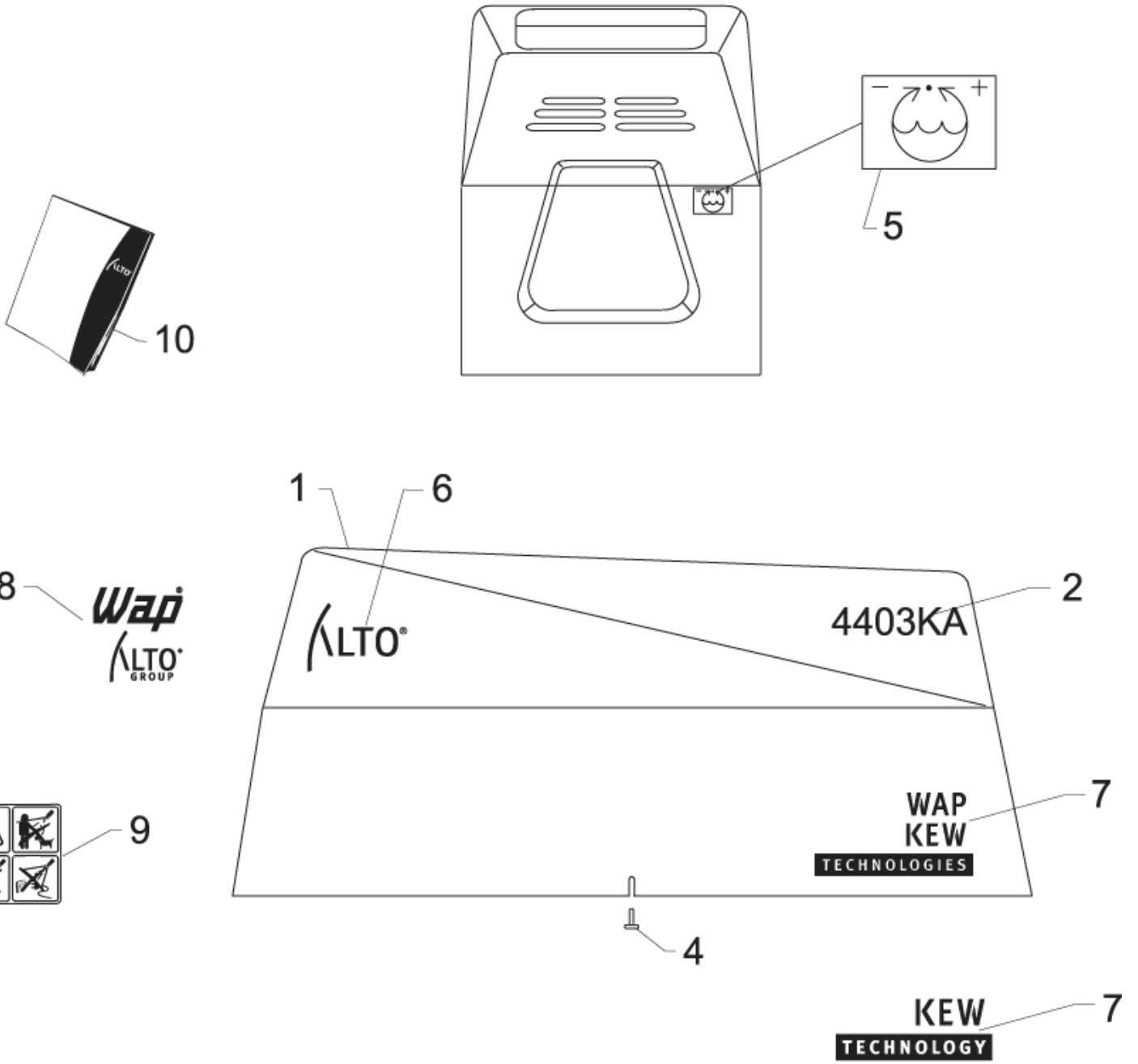
03K-C3K/A

06-02-2015

StyMiste ID

C3KA02

3



Cabinet

03K-C3K/A

06-02-2015

StyMiste ID

C3KA02

4

Pos	Vare nr.	Ant	Beskrivelse
1	6101428	1	Kabinet, Alto
2	6100200	2	LOGO 4403K ALTO 4403K
2	6100201	2	LOGO 5203K ALTO 5203K
2	6100205	2	LOGO 52C3KA. ALTO 52C3KA
2	6100206	2	LOGO 40C3KA. ALTO 40C3KA
2	6100209	2	LOGO 44C3KA 44C3KA
2	6100210	2	LOGO 44C3KR 44C3KR
2	6100212	2	LOGO 44C3KRA 44C3KRA
4	1803592	2	Pladeskrue B12X13 M/Skive
4	1804228	2	SET SCREW
5	6100184	1	SYMBOL FOR WATER REGULATIN
6	6155913	2	Alto Logo
7	6100217	2	LOGO WAP KEW TECHNO.
7	6155914	2	Kew Technology Logo
8	6100217	2	LOGO WAP KEW TECHNO.

Motor pump unit mounted in chassis

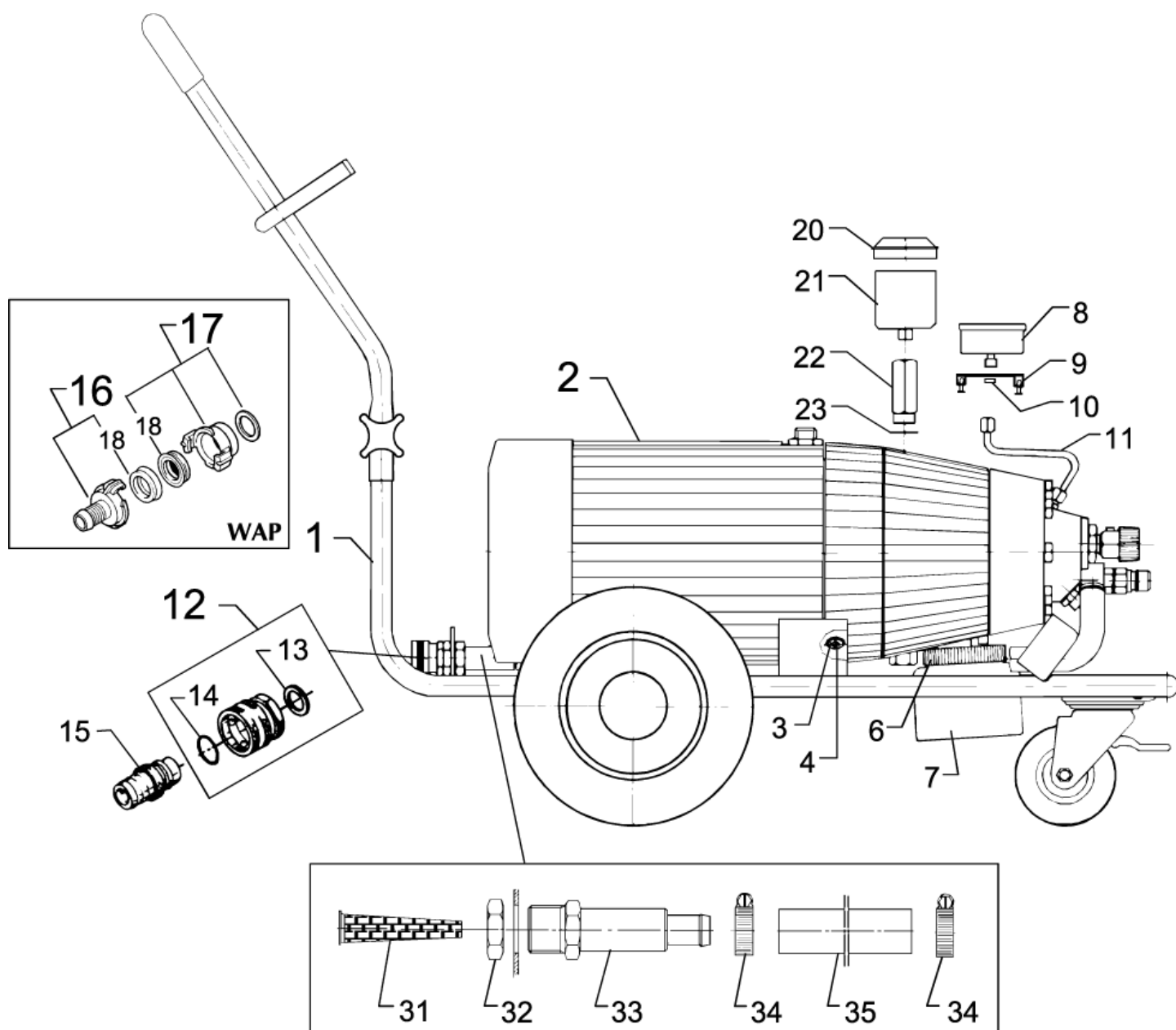
03K-C3K/A

06-02-2015

StyMiste ID

C3KA04

5



Motor pump unit mounted in chassis

03K-C3K/A

06-02-2015

StyMiste ID

C3KA04

6

Pos	Vare nr.	Ant	Beskrivelse	
-	107144146	1	Pumpeolie (1 liter)	
1		1	USE LINK	MOTOR PUMP UNIT
2		1	USE LINK	CHASSIS
3	1801968	4	TOOTHED LOCK WASHER M10 FZB DIN6798	
4	1802651	4	Taptite Skrue M10X25	
6	6101625	1	Slamglaslåg Mont.	
7	2200467	1	Slamglas	
8	3601262	1	Manometer 0-300 Bar	
9	1808088	1	Spændestykke F. Manometer	
10	1602127	1	"Manometerring 1/4" "	
11	6220678	1	Manometerforskrining	
12	1602945	1	KEW kobling, indv. gevind 3/4"	
13	3001237	1	Pakning Ø24,5Xø16X3	
14	3000320	1	O-ring 20X3 Nitril	3/4"
15	1600659	1	KEW kobling slange-ende 3/4" han	3/4"
15	1602473	1	Stiknippel Lavtryk	5/8" CH
15	1605955	1	Stiknippel	3/4" USA
16	1311	1	GEKA kobling - slange-ende 3/4" han	3/4" WAP
17	1718	1	GEKA kobling, indv. gevind, 3/4"	3/4" WAP
18	6502	1	Moulded Gasket Geka Coup Ling	WAP
20	2201854	1	Låg til olieglas	
21	2200285	1	Olieglas	
22	2200293	1	Studs	
23	3000361	1	Kobberskive Ø27Xø21X1,5	
31	6100941	1	Filter	
32	1800341	1	"Kontramøtrik 3/4" "	
33	6100937	1	Filterhus	
33	6101094	1	Filterhus Messing	BRASS
34	8298	2	Spændebånd	
35	5206230	1	Slange	

CHASSIS

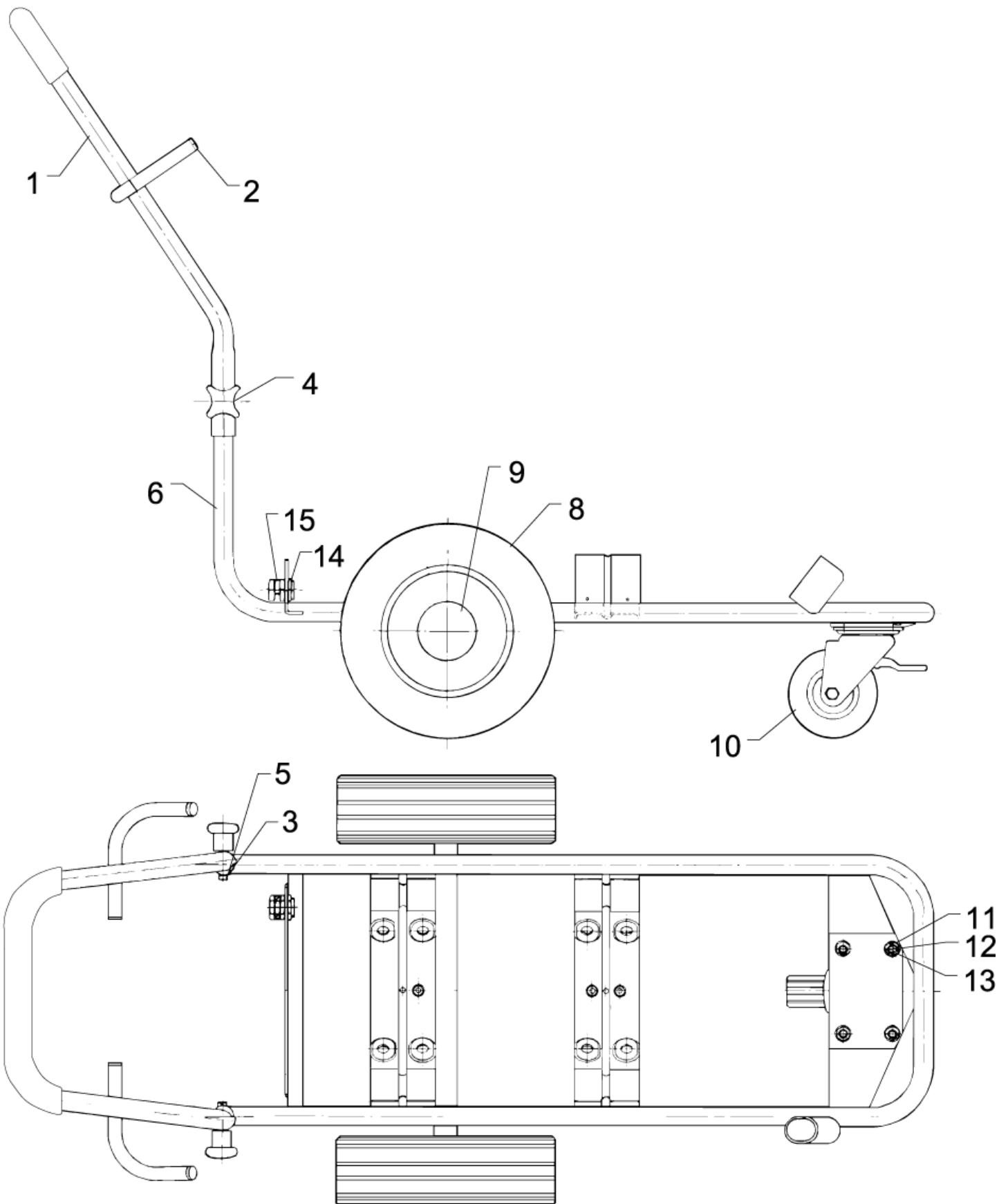
03K-C3K/A

06-02-2015

StyMiste ID

C3KA06

7



CHASSIS

03K-C3K/A

06-02-2015

StyMiste ID

C3KA06

8

Pos	Vare nr.	Ant	Beskrivelse	
1	6101600	1	BRACKET REAR	
1	6102611	1	BRACKET REAR	STAINLESS STEEL 03KR
2	4600664	4	FERRULE Ø19	
3	1804178	2	SCREW	STAINLESS STEEL 03KR
3	6100123	2	Stelskrue	
4	4000279	2	Stjernegreb	
5	4600559	2	FERRULE 22 DPD 22 01	
6	6100179	1	BASE FRAME	F. CDN, J
6	6101689	1	BASE FRAME	
6	6102612	1	BASE FRAME	STAINLESS STEEL 03KR
8	2010908	2	Endenavshjul Grå Gummi	03KR
8	301000041	2	Kørehjul	
9	2004265	2	Nav kapsel komplet Ø25	
9	6102614	2	Nav kapsel Komp. Rf	STAINLESS STEEL
10	2010916	1	Drejehjul, Rf Ø100	03KR
10	2012144	1	Drejehjul M/Bremse	
11	1801905	4	Møtrik M8	STAINLESS STEEL 03KR
11	2758	4	HEXAGON NUT M8	
12	1802909	4	SCREW M8X16	STAINLESS STEEL 03KR
13	1802917	4	Plan Skive M8 Rf	STAINLESS STEEL 03KR
13	1810274	4	Stjerneskrive M8	
14	3800786	1	Kontramøtrik	
14	3808169	1	LOCK NUT	F. CDN, J
15	3800760	1	Trækaf lastning	
15	3802212	1	BRACKET	F. CDN, J

Motor pump unit 1

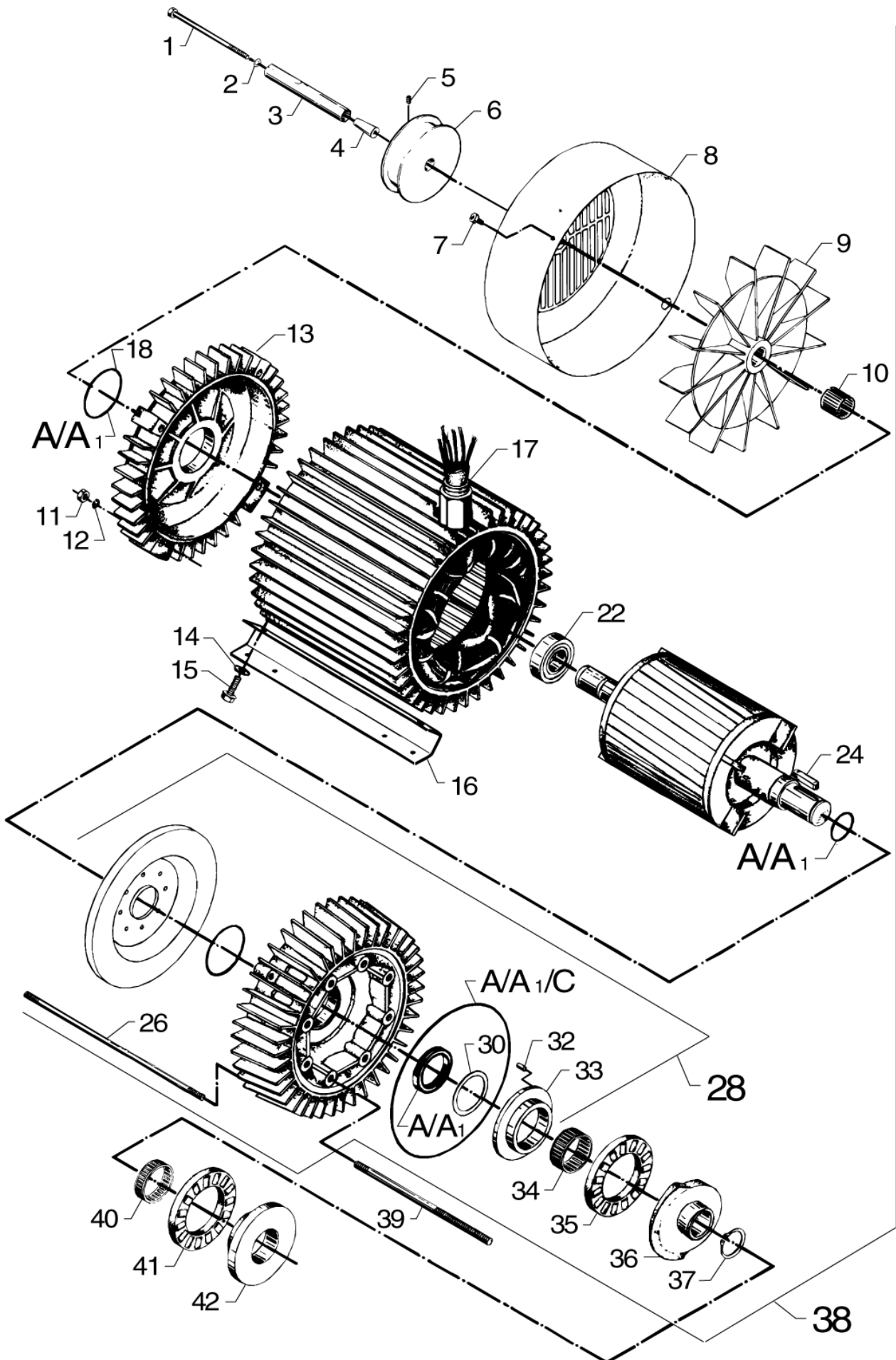
03K-C3K/A

06-02-2015

StyMiste ID

C3KA08

9



Motor pump unit 1

03K-C3K/A

06-02-2015

StyMiste ID

C3KA08

10

Pos	Vare nr.	Ant	Beskrivelse	
7	1802586	2	Taptite M4X12	
8	6100609	1	Ventilatorskærm	
9	6100605	1	Ventilatorvinge	
A	6109046	1	Rep.Sæt, Pakninger	03K
C	1119820	1	Rep.Sæt Olietætning 03	
10	1802503	1	Låsering Ø25Xø25	
11	2758	4	HEXAGON NUT M8	
12	1801182	4	Fjederskive M8	
13	107140617	1	Rear Bearing Cover	From week 32 2009 (EME)
13	6100611	1	N-Lejedæksel	Up to week 32 2009 (ATB)
17	6101414	1	Bøsning	
18	107318244	1	O-RING 51.6X2.4 NBR70	
22	3200623	1	Leje	
24	3200672	1	Feder	
26	6100711	4	Stagbolt F. Statorhus	L=261MM
26	6100712	4	Stagbolt F. Statorhus	L=306MM
28	107140615	1	Front Bearing Cover Compl Ete	From week 32 2009 (EME) - TSB-PPW-2011-013 C3 Pump
28	6101750	1	D-Lejedæksel Komp. 03	Up to week 32 2009 (ATB) - TSB-PPW-2011-013 C3 Pum
30	6100995	1	Skive	
32	6100996	1	Styrestift	
33	107120703	1	Lejeskive	
34	3200656	1	Nåleleje Ina K 40X46X17	
35	3200615	1	Rulleleje	
36	107120705	1	Skråskive 1	2.4KW, 50/60 HZ
36	107120707	1	Skråskive 3	3.7KW, 60 HZ
36	107120708	1	Skråskive 4	
36	107120710	1	Skråskive 6	
36	107120715	1	Skråskive 11	5.5KW, 50 HZ
36	107120716	1	Skråskive 12	6.5KW, 50 HZ
37	1802511	1	Seegerring U 28 X 1,5	
38	6101718	1	MOTOR COMP. 5.5KW 50HZ	5.5 KW,50HZ, 3X380/415V (disc 11)
38	6101719	1	MOTOR COMPL. 5.5KW 50HZ	5.5 KW, 50HZ, 3X220/380V (disc 11)
38	6101720	1	MOTOR COMP. 5.5KW. 60HZ	5.5 KW, 60HZ, 3X220/460V (disc 4)
38	6101734	1	MOTOR COMP. 6.5KW. 50HZ	6.5KW, 50HZ, 3X380/415V (disc 12)
38	6101735	1	MOTOR COMP. 6.5KW 50HZ	6.5KW, 50HZ, 3X220/380V (disc 12)
38	6101736	1	MOTOR COMP. 6.5KW 60HZ	6.5KW, 60HZ, 3X440V (disc 6)
38	6101744	1	MOTOR COMP. 5.0KW. 60HZ	5.0KW, 60HZ, 3X208/230V (disc 4)
39	6100710	8	Stagbolt F. Pumpe M10X200	
39	6301368	1	Stagbolt	C3
40	3200664	1	Nåleleje	
41	3200615	1	Rulleleje	
42	107120704	1	Lejeskive	
A1	1119570	1	Reparationskit pakninger C3	C3

Motor pump unit 2

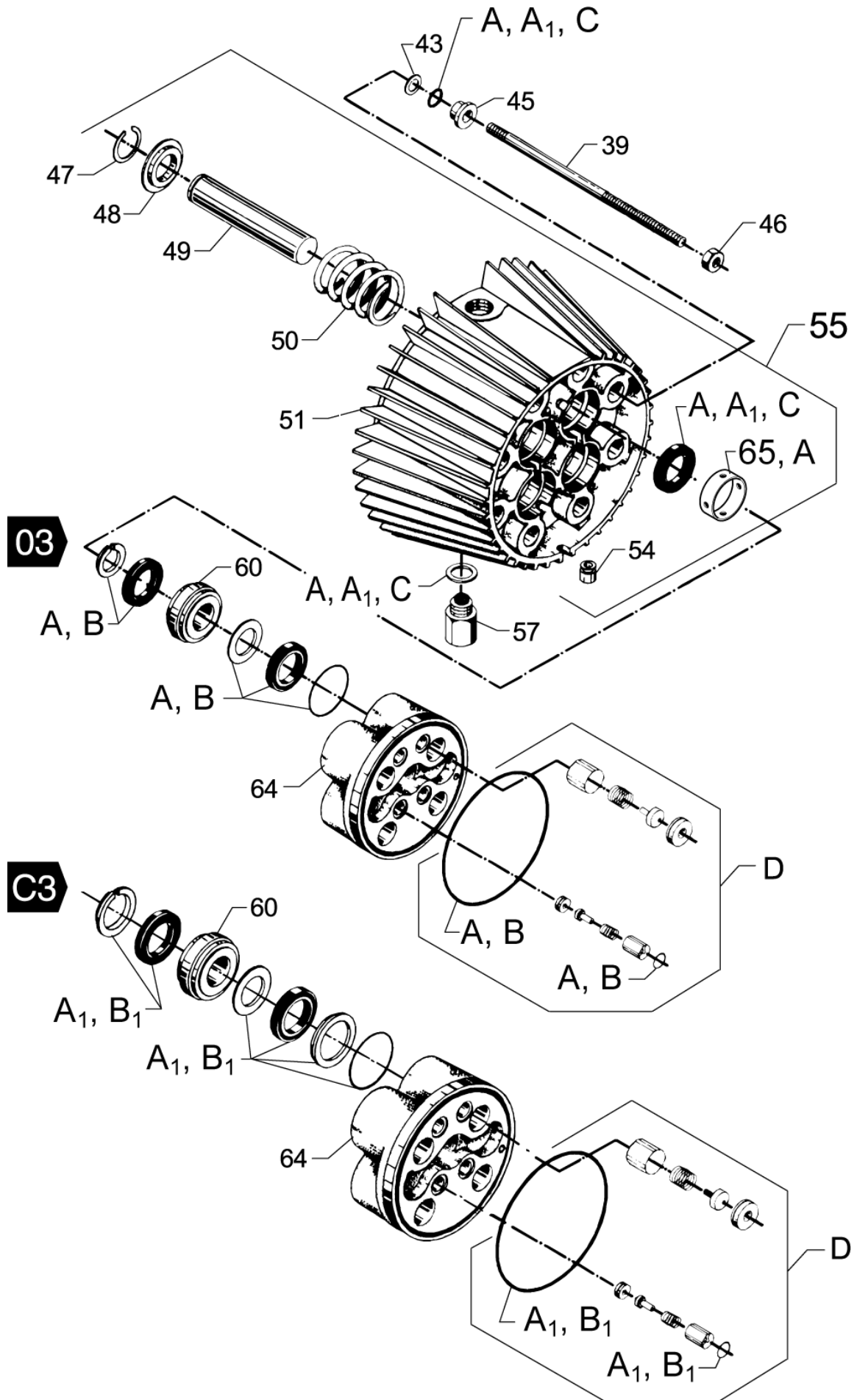
03K-C3K/A

06-02-2015

StyMiste ID

C3KA10

11



Motor pump unit 2

03K-C3K/A

06-02-2015

StyMiste ID

C3KA10

12

Pos	Vare nr.	Ant	Beskrivelse	
A	6109046	1	Rep.Sæt, Pakninger	03K
B	1119035	1	Rep.Sæt Pakninger Reduc.	03K
C	1119820	1	Rep.Sæt Olietætning 03	
D	1119310	1	Reparationskit til ventiler	03
43	6100718	8	Skive F. Stagbolt	
45	6100719	8	Trykring	
46	1800465	8	Møtrik M10	
47	1802529	4	Seeger Springring	
48	6100666	4	Ring F. Returfjeder	
49	107307253	4	PISTON SPARE	03
49	6301166	4	Trykstempel-Keramik C3	C3
50	102602517	4	Returfjeder C3K	C3
50	2602274	4	Fjeder Retur C3	03
51	6100610	1	Cylinderblok	
54	6100919	1	Dryptud	
55	6101702	1	Cylinderblok Komplet 03	03
55	6300071	1	Cylinderblok Komp.	C3
57	6150400	1	Bundprop	
60	107120700	4	Trykring & støttering (1 stk)	C3
60	6100631	4	Trykring	03
64	107120701	1	Cylinder	C3
64	6100907	1	Topstykke	
65	107140321	4	Afstandsstykke	
A1	1119570	1	Reparationskit pakninger C3	C3
B1	1119571	1	Pakningssæt (Reduceret)	C3
D1	1119195	1	Rep.Sæt, Ventilsystem	C3

Motor pump unit 3

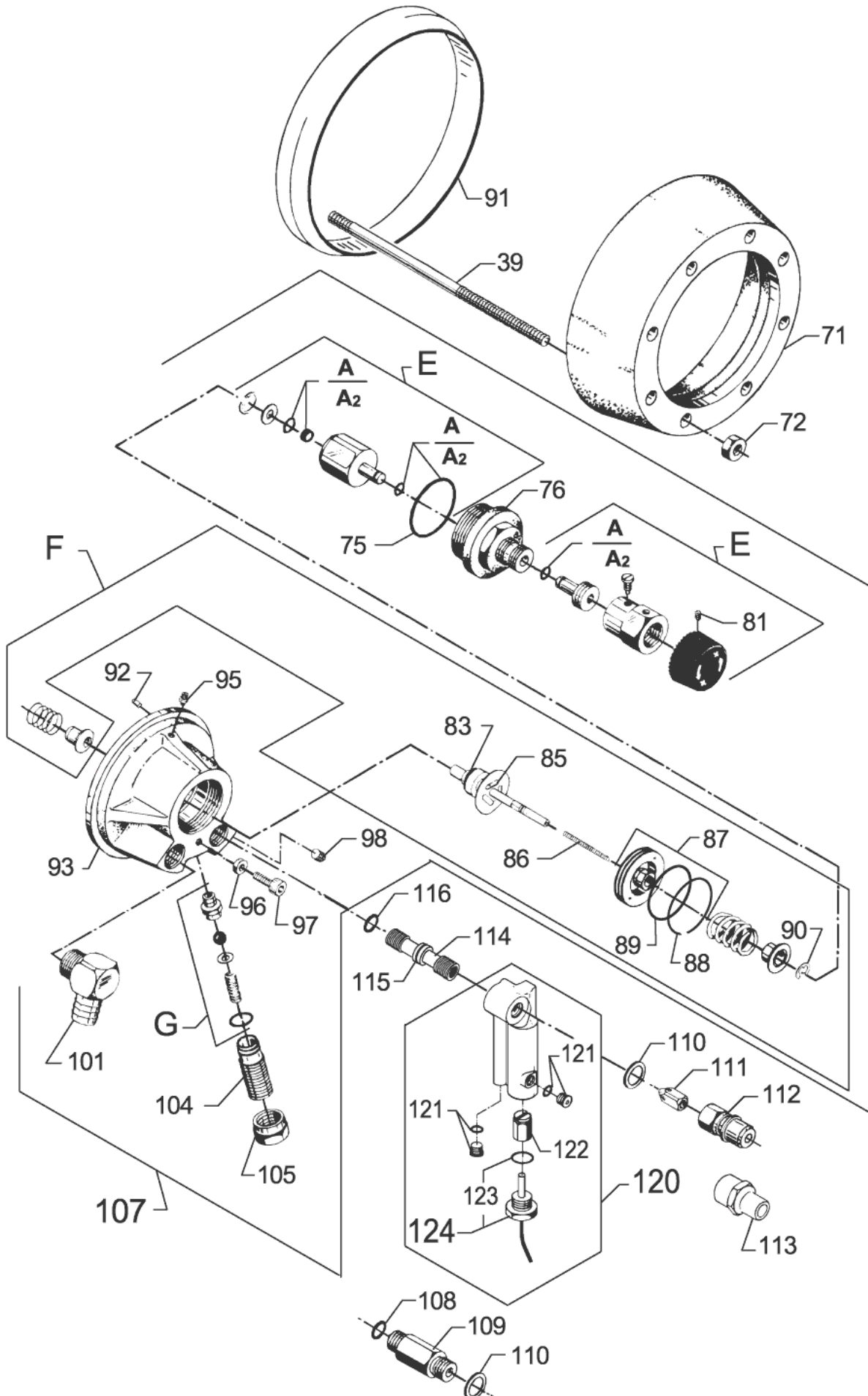
03K-C3K/A

06-02-2015

StyMiste ID

C3KA12

13



Motor pump unit 3

03K-C3K/A

06-02-2015

StyMiste ID

C3KA12

14

Pos	Vare nr.	Ant	Beskrivelse	
E	1118538	1	Rep.Sæt Reguleringsventil	
F	1118520	1	Rep.Sæt F. Omløbsventil	K
F	1118580	1	Rep.Sæt F. Omløbsventil	KA
F	1119315	1	Rep.Kit For Omløbsventil	3000C
G	1118512	1	Rep.Sæt, Sikkerhedsventil	
71	6100602	1	Spændering	
72	1800465	8	Møtrik M10	
75	3001179	1	O-Ring 39,6X2,4 Nitril	
76	6100984	1	Bøsning F. Justerspindel	
81	1802602	1	Kraterskrue M4X6 Rf	
83	3000460	1	O-Ring 11X2 Nitril	
85	6101784	1	Ventilkegle	K
85	6400143	1	Ventilkegle	KA
86	2600286	1	Fjeder	
87	6100925	1	Stempel F. Omløbsventil	
87	6228554	1	Stempel F. Omløbsventil	3000C
88	6101061	1	Stempeling	
89	3001716	1	O-ring 35,1X1,6 Nitril	
90	6101069	1	Låsering F. Fjederstyr	
91	6301392	1	Ring F. Motorpumpeenhed	C3
92	6100996	1	Styrestift	
93	6101042	1	Ventildæksel	
95	1603422	1	"Ligeforskrning Ø4X1/8" "	
96	6100985	1	Låseskive	
97	3913	1	Skrue M6X12	
98	1602333	2	"Rørprop 1/8" "	
A2	1119568	1	Rep.Sæt Pakninger F.Omløb	C3
101	6101752	1	"Slangestuds 16Mm 1/2" "	
104	6100940	1	Justerskrue	
105	6100928	1	Kontramøtrik	
107	6101753	1	Omløbsventil Komp. 03	
108	3000064	1	O-ring 14,1X1,6 Nitril	
109	6101018	1	Studs	
110	1801075	1	Tætningsskive 3/8"	
111	6101038	1	Stempel	K
111	6101083	1	Stempel-Kontraventil	KA
112	1600493	1	Ergo højtryk kobling DN10 3/8" han	
112	1603101	1	Ergo højtryk kobling DN10 RF han	STAINLESS STEEL
113	1609335	1	Converter	WAP
114	6400712	1	Støtterør F. Banjorør	KA
115	3001682	1	O-Ring 12,3X2,4	KA
116	3001252	1	O-Ring 13,6X2,4 Nitril	KA
120	6403461	1	Strømningskontakt F. C3Ka	C3Ka

Motor pump unit 3

03K-C3K/A

06-02-2015

StyMiste ID

C3KA12

15

Pos	Vare nr.	Ant	Beskrivelse
121	6180913	2	Blændprop M. O-Ring
122	6350454	1	Stempel
123	3000825	1	O-Ring 20,24X2,62 Nitril
124	6221773	1	Reedkontakt Komp.

Electric parts C3KA

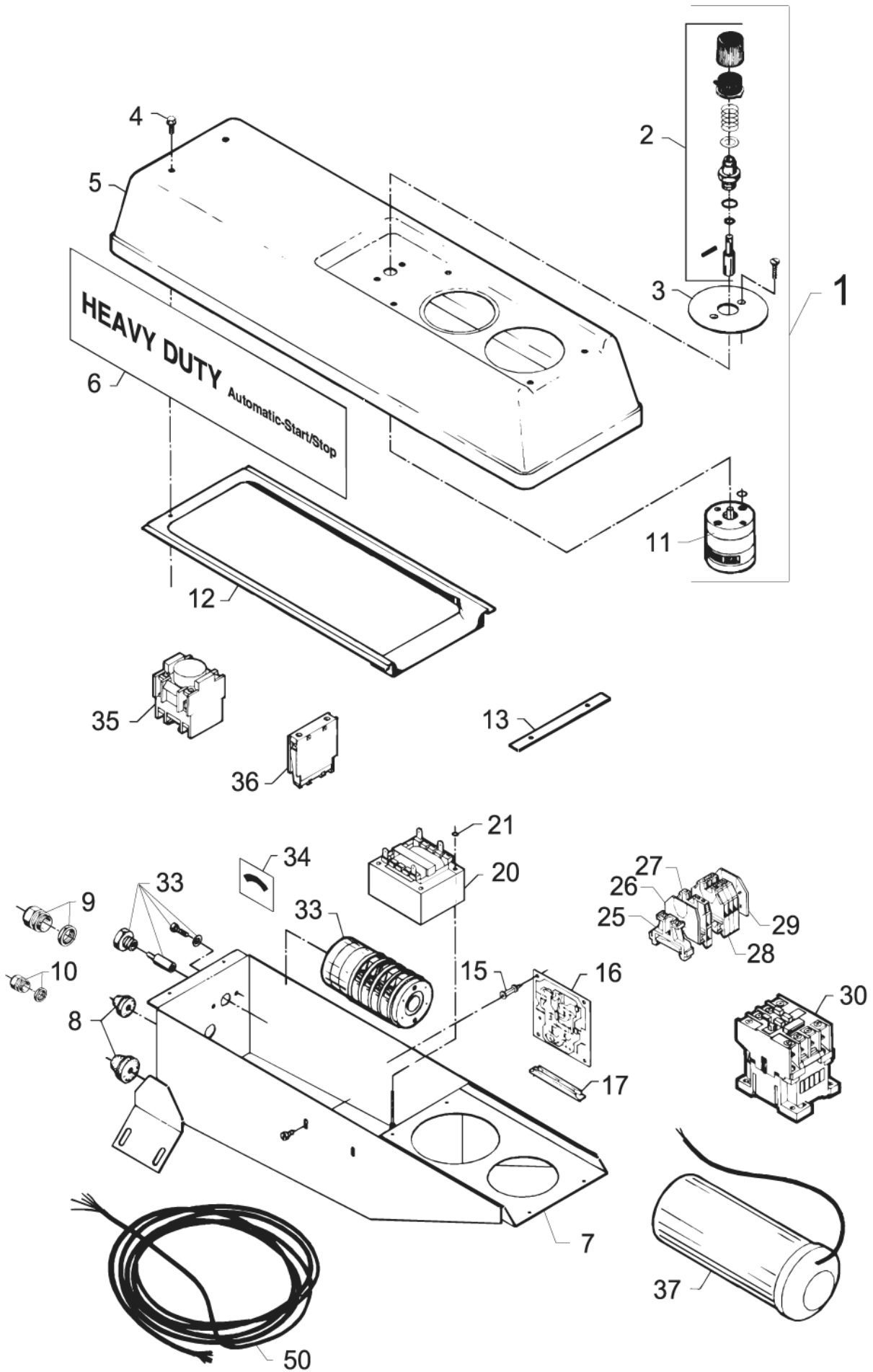
03K-C3K/A

06-02-2015

StyMiste ID

C3KA14

16



Electric parts C3KA

03K-C3K/A

06-02-2015

StyMiste ID

C3KA14

17

Pos	Vare nr.	Ant	Beskrivelse	
1	3821728	1	Start/Stop Kontakt Kompl.	
2	1117357	1	Drejeknap F. Kontakter	
3	6101010	1	Skalaplade	
4	1803956	6	Skrue M4X12	
5	6101400	1	COVERING FOR CONTROL PANE	
5	6104404	1	COVERING FOR CONTROL PANE	
6	6104403	2	HEAVY DUTY. LOGO	
7	6101656	1	CONTROL PANEL	
8	3803764	1	Pakdåse Tet 5-7C	TET 5- 7C
8	3803772	1	CABLE GROMMET TET 7-10C	TET 7 - 10C
8	3803780	1	Pakdåse Tet 10-14C	TET 10 - 14C 23.09.99
8	3803798	1	Pakdåse Tet 14-20C	TET 14 - 20C 23.09.99
9	3830125	1	CABLE GLAND PG21	24.09.99
11	3821726	1	Start/stop kontakt	
12	6100115	1	Pakning	
13	6100116	1	Pakning F. Instrumentkasse	
15	4600771	4	Printstag Tcbs-6N	
16	6420012	1	Print F. Aut. Start/Stop	
17	3821184	1	BAR	
20	3821148	1	STEERING TRANSFORMER 24V/220V	220V PRIM 1
20	3821149	1	Sty retransformer 24V/380V	380V PRIM 1
20	3821150	1	STEERING TRANSFORMER 24AT	415V PRIM 1
20	3821151	1	Sty retransformer 24V/440V	440V PRIM 1
20	3821153	1	STEERING TRANSFORMER 220/	220-380V PRIM 1-2
20	3821154	1	STEERING TRANSFORM. 24-22	220-440V PRIM. 1-2
21	1805563	2	Låseskive	
25	3812203	1	END STOP	
26	3821048	1	END STOP	FROM 24.09.99
27	3821030	1	TERMINAL CLIP WK4/D 1/2U	FROM 24.09.99
28	3807518	3	Rækkelemme	
29	3821332	1	END STOP TW 2.5-4	
30	103822306	1	Contactora Cjx2-D18-B7 24V	
30	103822307	1	CONTACTOR CJX2-D18 18A 24V 3P+NC	CA3-16-01, CH
30	103822313	1	Contactora 12-25A 50/60Hz 24V	CA3-23-10 FROM 01.01.00
30	103822317	1	Contactora Cjx2-D32-B7 24V	
33	3821212	1	START/STOP SWITCH. COMPL.	Y/DELTA
34	6220737	1	SCALE FOR REVERSING SWITCH	440/220
37	301000415	1	CAPACITOR 80MICRONFOR 420V	USA 80 ÁF 400 VDB
37	6101654	1	SUPPORT FOR CAPACITOR COMPL.	

Electric parts 03K

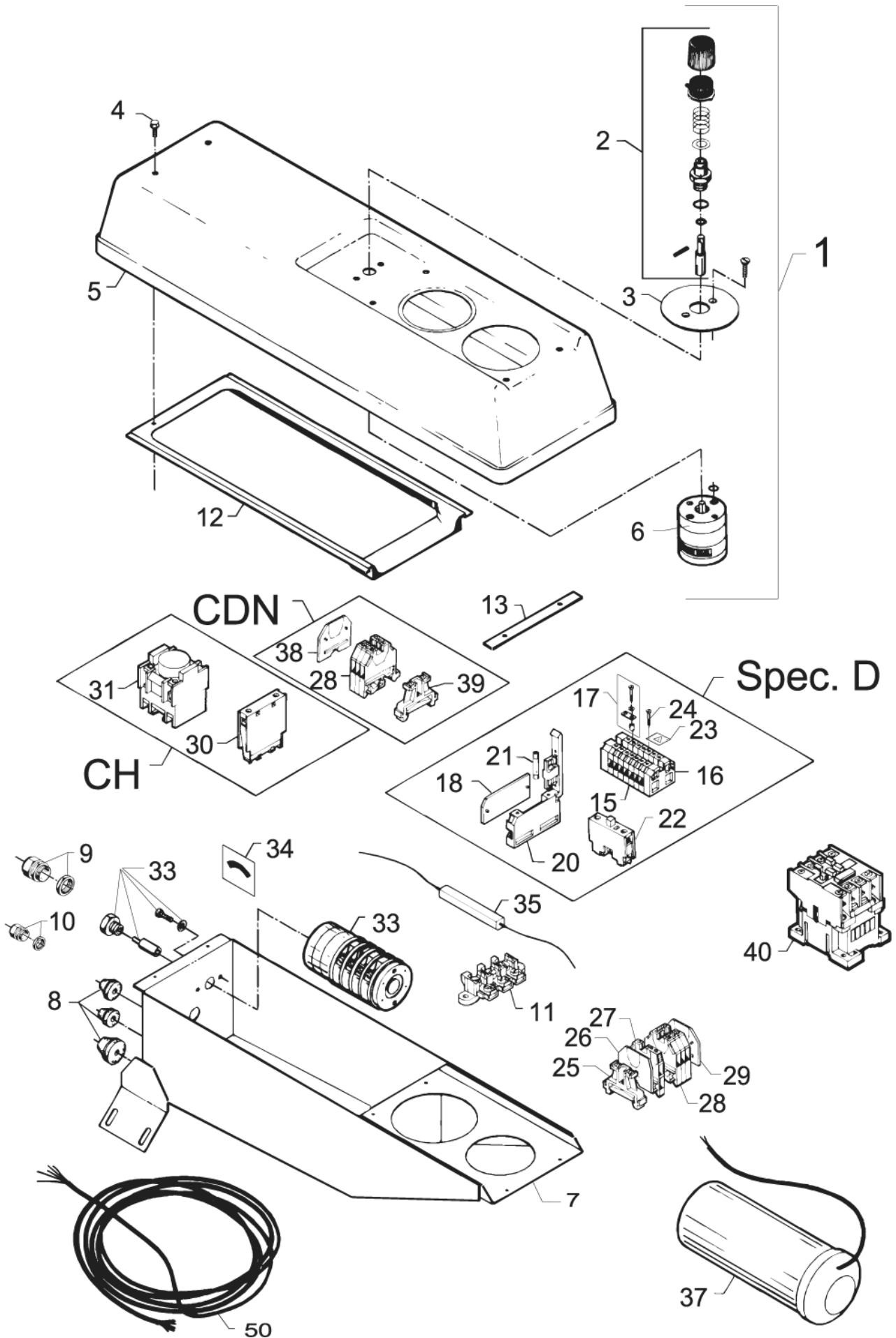
03K-C3K/A

06-02-2015

StyMiste ID

C3KA16

18



Electric parts 03K

03K-C3K/A

06-02-2015

StyMiste ID

C3KA16

19

Pos	Vare nr.	Ant	Beskrivelse	
1	3804911	1	Start/Stop Kontakt Komp.	
2	1117357	1	Drejeknap F. Kontakter	
3	6101010	1	Skalaplade	
4	1803956	6	Skrue M4X12	
5	6100129	1	COVERING FOR CONTROL PANE	Y/DELTA
5	6101400	1	COVERING FOR CONTROL PANE	CDN
6	3804895	1	Start/Stop Kontakt	
6	3804911	1	Start/Stop Kontakt Komp.	D
7	6101656	1	CONTROL PANEL	
8	3803764	1	Pakdåse Tet 5-7C	TET 5 - 7C
8	3803772	1	CABLE GROMMET TET 7-10C	TET 7 - 10C
8	3803780	1	Pakdåse Tet 10-14C	TET 10 - 14C UP TO 23.09.99
8	3803798	1	Pakdåse Tet 14-20C	TET 14 - 20C UP TO 23.09.99
9	3830125	1	CABLE GLAND PG21	FROM 24.09.99
11	3803822	1	TERMINAL STRIP	UP TO 23.09.99
12	6100115	1	Pakning	
13	6100116	1	Pakning F. Instrumentkasse	
15	3800315	7	TERMINAL STRIP	3 ~ D
16	3800323	2	CONNECTION BLOCK	3 ~ D
17	3800349	1	BIPOLAR SPLICES. TERMINAL	3 ~ D
18	3804416	1	END PLATE FOR FUSE HOLDER	3 ~ D
20	3804333	2	FUSE HOLDER	3 ~ D
21	3804341	2	Sikring 1A 400V Ø5X25	3 ~ D
22	3805280	1	AUXILIARY SWITCH	3 ~ UP TO 31.12.99
22	3821738	1	AUXILIARY SWITCH	FROM 01.01.00
25	3812203	1	END STOP	FROM 24.09.99
26	3821048	1	END STOP	FROM 24.09.99
27	3821030	1	TERMINAL CLIP WK4/D 1/2U	FROM 24.09.99
28	106408174	2	WIRE TERMINAL 10MM KIT	
28	3807518	3	Rækkelemme	FROM 24.09.99
29	3821332	1	END STOP TW 2.5-4	FROM 24.09.99
34	6101574	1	DIAL PLATE	380/220
34	6220737	1	SCALE FOR REVERSING SWITCH	440/220
35	3806171	1	RESISTANTE 6 K-8.5PCT 11 W	6 K8, 5%-17W OFF-SHORE, B
35	3812955	1	RESISTOR 8.2 KOHM 5PCT	8 K2, 5%-9W B
37	301000415	1	CAPACITOR 80MICRONFOR 420V	USA, CDN 80 ÅF 400 VDB
37	6101654	1	SUPPORT FOR CAPACITOR COMPL.	
38	3807526	1	ENDPLATE	CDN
39	3805249	1	Endeholder	CDN
40	103822303	1	Contacteur Cjx2-D18-V7 400	400V, 50HZ/460V, 60HZ
40	103822303	1	Contacteur Cjx2-D18-V7 400	346V, 50HZ HK, SGP

* NOTE: 190V, 50HZ / 220V, 60HZ J, OFF-SHORE 3X220V

** NOTE:

220V, 50HZ / 254V, 60HZ B, N UP TO 31.12.99

Electric parts 03K

03K-C3K/A

06-02-2015

StyMiste ID

C3KA16

20

Pos	Vare nr.	Ant	Beskrivelse	
40	103822304	1	Contactora Cjx2-D18-P7 230 V	* SEE NOTE
40	103822309	1	Contactora Cjx2-D25-P7 230 V	** SEE NOTE
40	3804150	1	CONTACTOR COMPL. CA3-23-10	380V, 50HZ 1 CA3-23-10
40	65856	1	CONTACTOR	500V, 50HZ / 575V, 60HZ S, CDN

* NOTE: 190V, 50HZ / 220V, 60HZ J, OFF-SHORE 3X220V

** NOTE:
220V, 50HZ / 254V, 60HZ B, N UP TO 31.12.99