

PARTS LIST



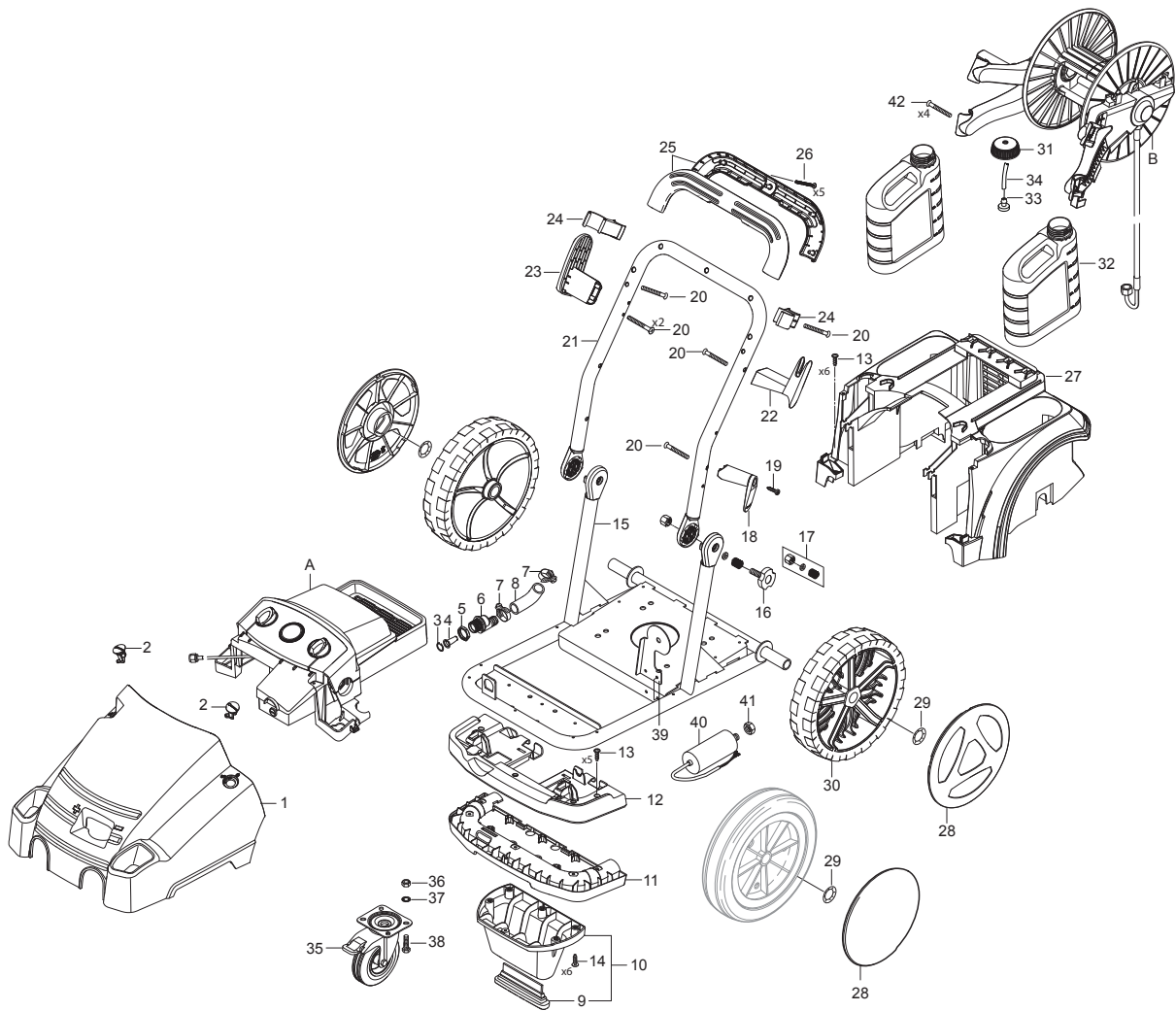
2015.10.13

www.nilfisk-alto.com

Nilfisk
ALTO
works for you

TABLE OF CONTENTS

Overview	1
Hose reel	5
Electric box	7
Motor	11
Cylinder block	13
Unloader FA	15
Recommended spare parts	17
Default accessories	21



Pos.	Numer Produktu	ilość	Opis	Notes
A		1	Electric box	[1]
B		1	Hose reel	[2]
1	107141602	1	CABINET FRONT NA POSEIDON 6	
1	107140959	1	CABINET FRONT NA POSEIDON 6 UNITOR	
2	301001261	2	LOCKING BOLT D29X35	
3	107141667	1	LOCK WASHER	
4	101117926	1	FILTR	
5	1800341	1	LOCK NUT 3/4IN	
6	107141668	1	WATER INLET PIPE NA5/NA6	
7	107141707	1	HOSE CLIP 20-32MM SS	[3]
7	23221	2	HOSE CLAMP 20-32	
8	107141697	1	RUBBER ELBOW NA5/NA6 FA	
9	107141615	1	RUBBER FOOT	
10	101118100	1	FRONT FOOT FOR POSEIDON KIT	
11	107141617	1	BUMPER BOTTOM	
12	107141618	1	BUMPER TOP	
13	107141690	5	SCREW M5X12 DIN7985 TORX TAPTITE	
14	107141838	6	SCREW K50X18 WN1451 BLACK TORX20	
15	107141622	1	FRAME STAINLESS STEEL	[3]
15	107141621	1	FRAME NA6/C3	
16	107141672	2	GRIB FOR FOLDABLE HANDLE	
17	101118104	2	SPRING AND LOCK NUT KIT	
18	107141625	1	CABLE HOOK MOVABLE BLACK	
19	107141838	1	SCREW K50X18 WN1451 BLACK TORX20	
20	107141627	10	SCREW K50X40 T20	
20	101814920	10		[4]
21	107141624	1	FRAME HANDLE STAINLESS STEEL	[3]
21	107141623	1	FRAME HANDLE	
22	107141632	1	CABLE HOOK	
23	107141629	1	HOSE HOOK	
24	107141630	1	LANCE HOLDER NA	
25	101118101	1	HANDLE KIT	
26	909100148	5	SCREW K40X30 WN 1452	
27	107141634	1	REAR END	
28	107145780	2	WHEEL CAP FOR WHEEL Ø300X65 - NILFISK	[5]
28	107145782	2	WHEEL CAP FOR WHEEL Ø300X65 - UNITOR	[5]
28	301001077	2	KÓŁPAK	[5]
29	46363	2	CLAMPING RING D25	
29	1814136	2	CLAMPING RING D25	[3]
30	107145637	2	WHEEL D300X65	[5]
30	6184074	2	KÓŁKO D300	[5]
30	2010908	2	WHEEL D250X60 GREY	[3]
31	107141664	2	CAP FOR DETERGENT TANK	
32	107141635	2	DETERGENT BOTTLE 2.5 L	
33	6400240	1	CHEMICAL FILTER /PLASTIC/	
34	106408243	1	HOSE 1/4INCH TRANSPARENT - 5 METERS	
35	107141608	1	WHEEL W. BRAKE D125 FOOD	[3]
35	107141607	1	KOŁO	
36	1809920	4	NUT M8 A2/PA ISO10511	[3]
36	1800515	4	Lock Nut M8 - 8 A2K DIN 985	
37	1802917	1	WASHER M8 Ø8.4X18X1 A2 DIN125	[3]
37	1800796	4	WASHER M8	
38	2753	4	HEX. SCREW M8X20 ISO 4017 ZN	
38	107140930	4	SCREW M8X20 DIN933 SS	[3]
42	107141695	4	SCREW K50X35 TORX 20 WN5452 BLACK	
NS	107140982	1	10 PCS OF BOXES FOR PACKAGING	

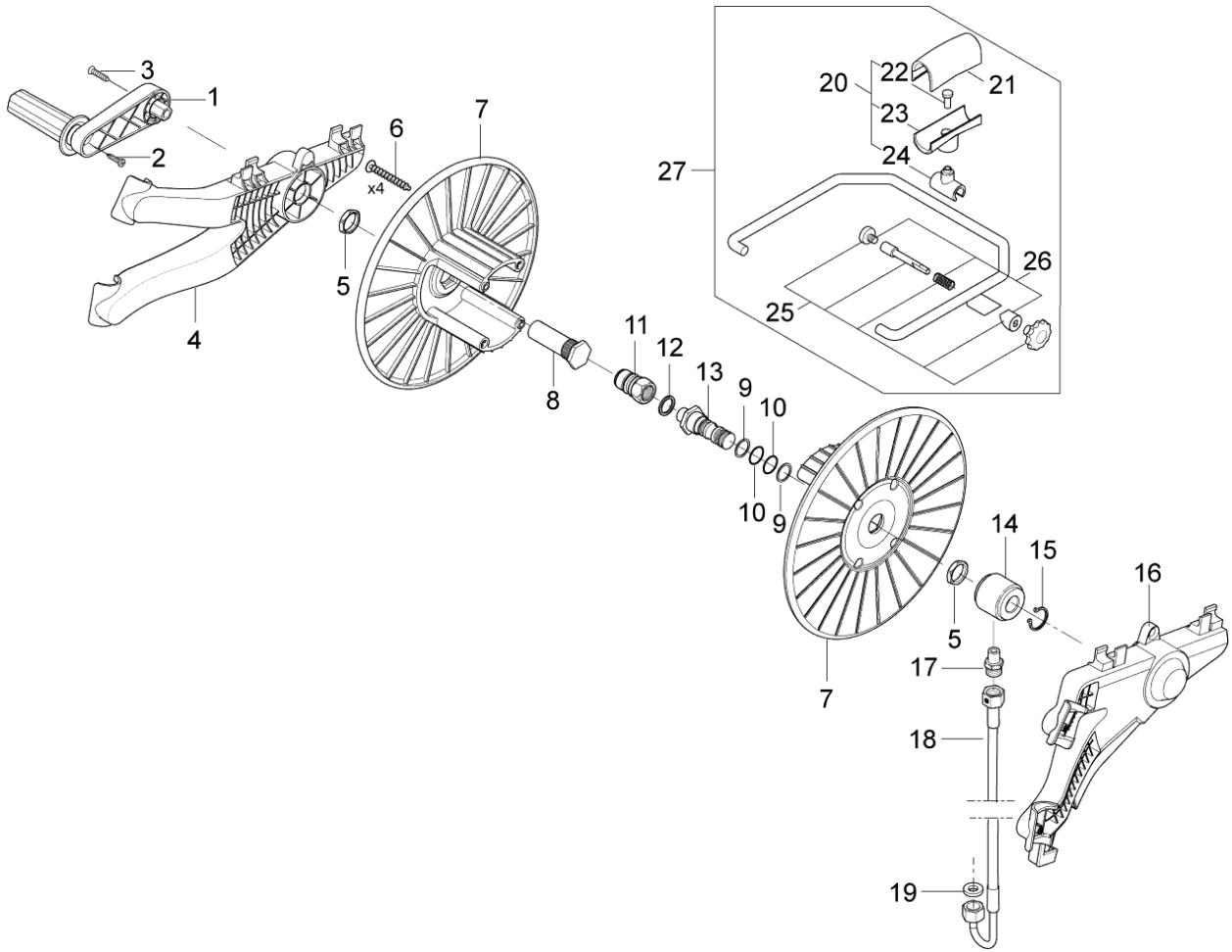
Part Notes:

- [1] - See Electric box
- [2] - See Hose reel
- [3] - Food
- [4] - Food (nyt nr.)
- [5] - The new wheel and wheel cap is added from
Variant Ser. Nr. order nr.machine nr.
Nilfisk 3520151900645 - 1712947 - 107146806
Unitor 3520151901159 - 1711044 - 107146807

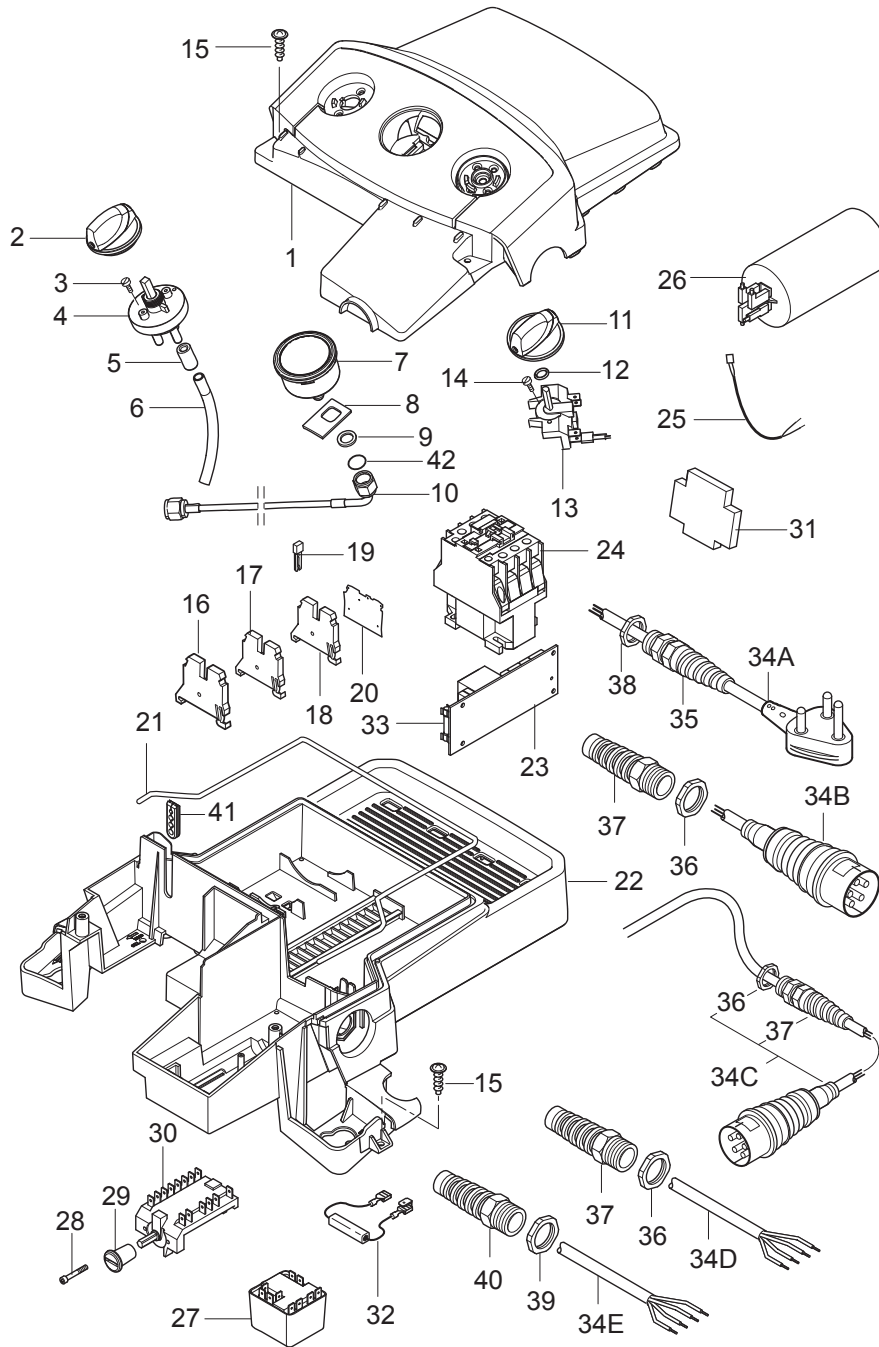


Comments:





Pos.	Numer Produktu	ilość	Opis	Notes
0	106403143	1	BĘBEN NA WAŻ KPL	
1	101118102	1	HOSE REEL HANDLE KIT	
2	107141838	1	SCREW K50X18 WN1451 BLACK TORX20	
3	107141673	1	SCREW M6X45 ISO 7380 BLACK TORX	
4	107141674	1	ADAPTOR RIGHT FOR HOSE REEL	
5	62696	1	HEXAGON NUT M24X1.5X6	
6	909100153	1	SCREW 6X40	
7	301000775	1	HOSE DRUM SECTION	
8	107141675	1	AXLE FOR HOSE REEL	
9	63792	2	SUPPORTING RING 16.26X2.18	
10	19620	2	O-RING 15.54x2.62 DIN 3771 NBR70	
11	1600493	1	ZŁĄCZE MĘSKIE ERGO 3/8"	
12	1801075	1	PIERŚCIEŃ USZCZ. 23.8X17.2X2 3/8	
13	107141676	1	SWIVEL SCREW FOR HOSE REEL	
14	301000977	1	BEARING BUSH	
15	1802057	1	CIRCLIP EXTERNAL 20X1.2 STEEL. DIN 471	
16	107141677	1	ADAPTOR LEFT FOR HOSE REEL	
17	54590	1	FITTING XGE12L 1/4NPT	
18	107141678	1	CONNECTION HOSE FOR HOSE REEL	
19	65466	1	PACKING RING 8X15X1 DIN7603 A CU	
20	101118103	1	HOSE GUIDE PARTS KIT	
21	301000674	1	HOSE GUIDE SECTION - UPPER 70X31.7X28.5	
22	10028	1	SRUBA KA50X14 WN1411	
23	301000676	1	HOSE GUIDE SECTION LOWER	
24	107141679	1	HOSE GUIDE SLEEVE OPEN	
25	101118106	1	HOSE GUIDE BRAKE COMPLETE KIT	
26	101118111	1	HOSE GUIDE KIT	
27	101118105	1	PROWADNIK WEŻA CIŚNIENIOWEGO	



Pos.	Numer Produktu	ilość	Opis	Notes
0	101118144	1	START RELAY KIT F. POSEIDON 5 1PH GB/AUS	[1]
0	101118143	1	START RELAY KIT F. POSEIDON 5-6-7 1PH US	[1]
1	107141644	1	E-BOX TOP F. 1-POS SWITCH AND DET. BLACK	
1	107141646	1	E-BOX TOP F. 1-POS SWITCH-NO DET. BLACK	
1	107141645	1	E-BOX TOP F. 2-POS SWITCH AND DET. BLACK	
2	909100214	1	POKREŃŁO	
3	1814730	2	SCREW 35X10B W1423	
4	301001000	1	ZAWÓR	
5	301001906	1	CLOSING CAP D12X21.5	
6	106408243	1	HOSE 1/4INCH TRANSPARENT - 5 METERS	
7	107141648	1	MANOMETER 0-300 BAR	
8	107141650	1	PLATE FOR MANOMETER	
9	107141651	1	WASHER M12 13X24X2.5 A2 DIN125	
10	107141696	1	MANOMETER TUBE FFA MODELS	[2]
10	107141653	1	MANOMETER TUBE FA MODELS	
11	909100204	1	ROTARY KNOB 6X5 BLUE	
12	9868	1	O-RING 10.2X2.5 NBR 70	
13	28877	1	SWITCH 10A 400V AC	[3]
13	301001058	1	WŁĄCZNIK	[4]
14	18274	1	COUNTERSUNK SCREW M4X12	
15	107141838	6	SCREW K50X18 WN1451 BLACK TORX20	
16	103821922	1	DIN-END STOP WO/SCREW WAGO 249-116	
17	107141633	1	TERMINAL BLOCK 4Q PE	
18	103821967	1	WIRE TERMINAL WAGO281 800V 4MM2	
19	103821969	1	JUMPER	
20	103821968	1	END PLATE WAGO 4MM2	
21	101406054	1	SPONGE RUBBER Ø 4 1M	
22	107141654	1	E-BOX BOTTOM DRILLED /CABLE/	[5]
22	107141706	1	E-BOX BOTTOM DRILLED CABLE AND SWITCH	[6]
22	107141665	1	E-BOX BOTTOM	
22	107141655	1	E-BOX BOTTOM DRILLED /SWITCH/	[7]
23	107141666	1	PCB POSEIDON 5-6-7	
24	103822314	1	CONTACTOR CJX2-D32 32A 230V 3P+NO	[8]
24	103822308	1	CONTACTOR CJX2-D25 25A 400V 3P+NO	[9]
24	103822303	1	STYCZNIK CJX2-D18 18A 400V 3P+NO	[10]
24	63915	1	CONTACT 100-C30KF10 230	[11]
25	107141656	1	PCB WIRE for B4	
26	101117948	1	CAPACITOR 70UF 400/450V DOUBLE FASTON	[12]
26	101117947	1	CAPACITOR 100UF 450V DOUBLE 6.3 FASTON	[13]
27	107140967	1	START RELAY RVA4N0C	[12]
27	107140968	1	START RELAY RVAH4AH0C	[12]
28	40045	2	PAN HEAD SCREW M4X30	
29	64580	1	ROTARY KNOB	
30	301000293	1	SWITCH START/TRIANGLE 16	
31	64773	1	AUXILIARY CONTACT 100-SBL11	
32	107141730	1	DISCHARGE RESISTOR 15KOHM/7W	[1]
33	301000263	1	FUSE 0.63A/500AT Ø 6.	
34A	301000407	1	POWER CORD SJOW AWG10/3X9.0	[14]
34B	301000253	1	POWER CORD H07RN-F 4G1.5	[15]
34C	301000834	1	POWER CORD H07RN-F4G1.5X6	[16]
34D	301000337	1	POWER CORD H07RN-F 4G2.5	[17]
34E	301000384	1	POWER CORD SOW AWG10/4X9	[18]
35	909100198	1	SCREWED CABLE GLAND M25X1.5	[19]
36	909100043	1	OSŁONA PREWODY EL. M20X1.5	[20]
37	909100019	1	NAKRETKA M20X1.5 EN 50262	[20]
38	909100020	1	HEXAGON THIN NUT M25X1.5 EN 50262 PA	[19]
39	909100021	1	HEXAGON NUT M32X1.5	[21]
40	909100016	1	ABLE SCREWING W. ANTIBUC.	[21]
41	107141663	1	RUBBER GROMMET	

Pos.	Numer Produktu	ilość	Opis	Notes
42	31000508	1	O-RING NBR	

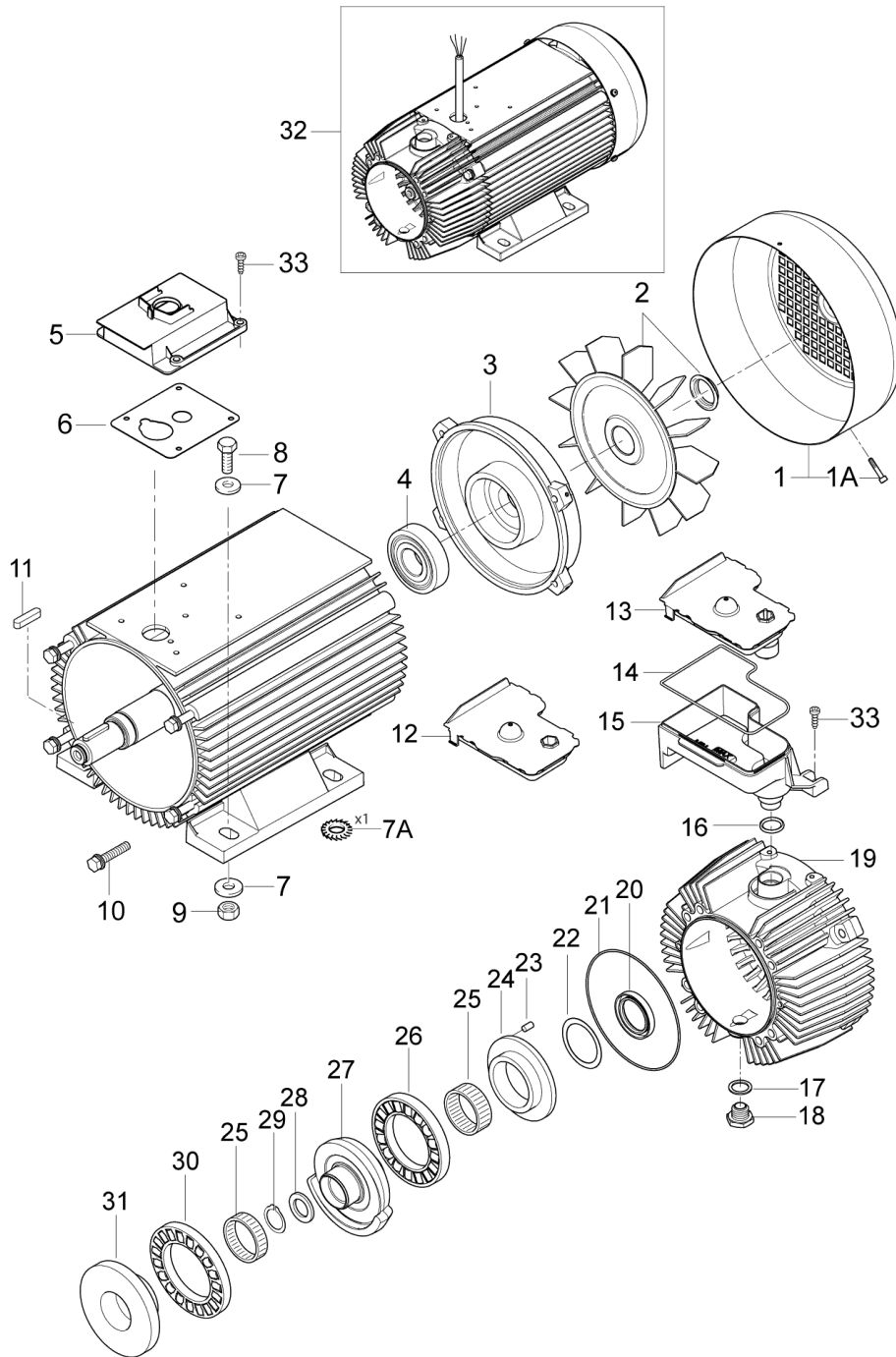
Part Notes:

- [1] - 230/1/50 UK, 220-240/1/60 US
- [2] - Food
- [3] - 2-POS.
- [4] - 1-POS.
- [5] - 220-240/1/60 (6-52 US)
- [6] - 220/440/3/60 (6-73 US)
- [7] - 230;400/3/50 (6-65 NO)
- [8] - 220-240/1/60 (US)
- [9] - 400/3/50 EU
- [10] - 6-61 FFA 400/3/50 EU
- [11] - 230/400/3/50, 220/440-460/3/60
- [12] - 230/1/50 UK
- [13] - 220-240/1/60 US
- [14] - 6-52 FA 220-240/1/60 USA
STOCK COVERS GUARANTEE
- [15] - EU
- [16] - Sondi
- [17] - NO, EXP.
- [18] - 6-73 FA 220/460/3/60 USA
- [19] - M25
- [20] - M20
- [21] - M32



Comments:

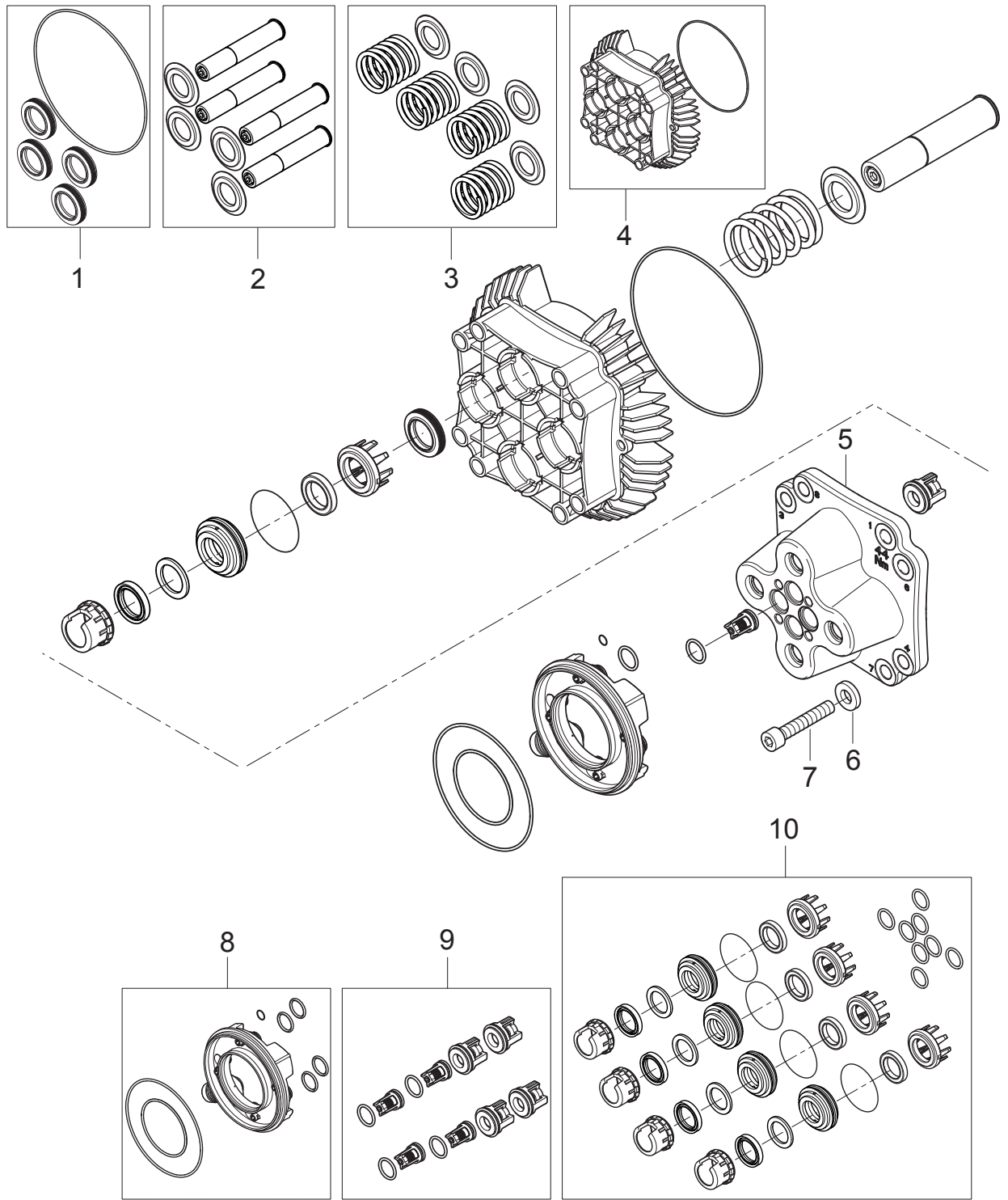




Pos.	Numer Produktu	ilość	Opis	Notes
00	5218433	1	OLEJ DO POMPY 150 1X1L	
1	107144126	1	FAN COVER RF	
1A	31000488	1	SCREW M5X8 CYLINDER HEAD PH NOTCH RF	
1A	31000489	1	SCREW 3X9.5 MUSHROOM HEAD EME	
2	107144125	1	PIERŚCIEŃ	
3	31000148	1	REAR BEARING COVER RF	
4	31000149	1	REAR BEARING 6306 2Z C3 150 DEGREES RF	
5	107140876	1	COVER FOR E-BOX ON MOTOR	
6	107140875	1	SEALING BETWEEN E-BOX AND MPU	
7	2767	7	WASHER 10.5 X 20 X 2	
7A	107140931	1	TOOTHED WASHER M10 SS	[1]
7A	10204	1	SERRATED LOCK WASHER A10	
8	8927	4	HEXAGON HEAD CAP SCREW M10X 35 ISO 4017	
9	1800465	4	NUT M10 DIN 934	
9	1802966	4	Nut Hex M10 A2 DIN 934	[1]
10	6863	4	SCREW M8X35	
11	107140880	1	KEY 6X6X32 A DIN 6885	
12	107140877	1	OIL CONTAINER TOP	
13	107140883	1	OIL CONTAINER TOP W/LEVEL SENSOR	
14	107140878	1	SEALING TAPE D4 YARD-WAR/CELLULAR RUBBER	
15	107140879	1	OIL CONTAINER BOTTOM	
16	107140882	1	O-RING 15.0 X 3.0 SMS 1586 NBR70	
17	106408208	1	COPPER SEALING 17X25X1.5	
18	6150400	1	DRAIN PLUG	
19	101118067	1	FRONT BEARING COVER CPL.	
20	3001146	1	OIL GASKET 35X50X7 SIKU/VITON	
21	106408215	1	O-RING 126.71 X 1.78 NBR 72	
22	6100995	1	WASHER	
23	6100996	1	GUIDE PIN	
24	107120703	1	ELEMENT LOZYSKA	
25	3200656	2	LOZYSKO	
26	3200615	1	LOZYSKO	
27	106408212	1	WOBBLE DISC POLISHED 5.8DEG	[2]
27	106408211	1	WOBBLE DISC POLISHED 5.05DEG	[3]
27	106408210	1	WOBBLE DISC POLISHED 4.3DEG	[4]
27	106408213	1	WOBBLE DISC POLISHED 7.05DEG	[5]
28	106408204	1	WASHER D32 x D20.1 x 3 STEEL	
29	1802057	1	CIRCLIP EXTERNAL 20X1.2 STEEL. DIN 471	
30	106408206	1	CYL. ROLLER BEARING K81 212-TV AX. D11	
31	106408207	1	BEARING TRACK THRUST	
32	106408201	1	MOTOR 5.2KW. 1X230	[6]
32	106408202	1	MOTOR 7.5KW. 3X230/400-220/440	[7]
32	106408200	1	MOTOR 6.8KW. 3X230/400-220/440	[8]
32	106408203	1	MOTOR 4.5KW. 3X230/400-220/440	[9]
33	107140881	6	SCREW M5X12 DIN 7985 TORX	

Part Notes:

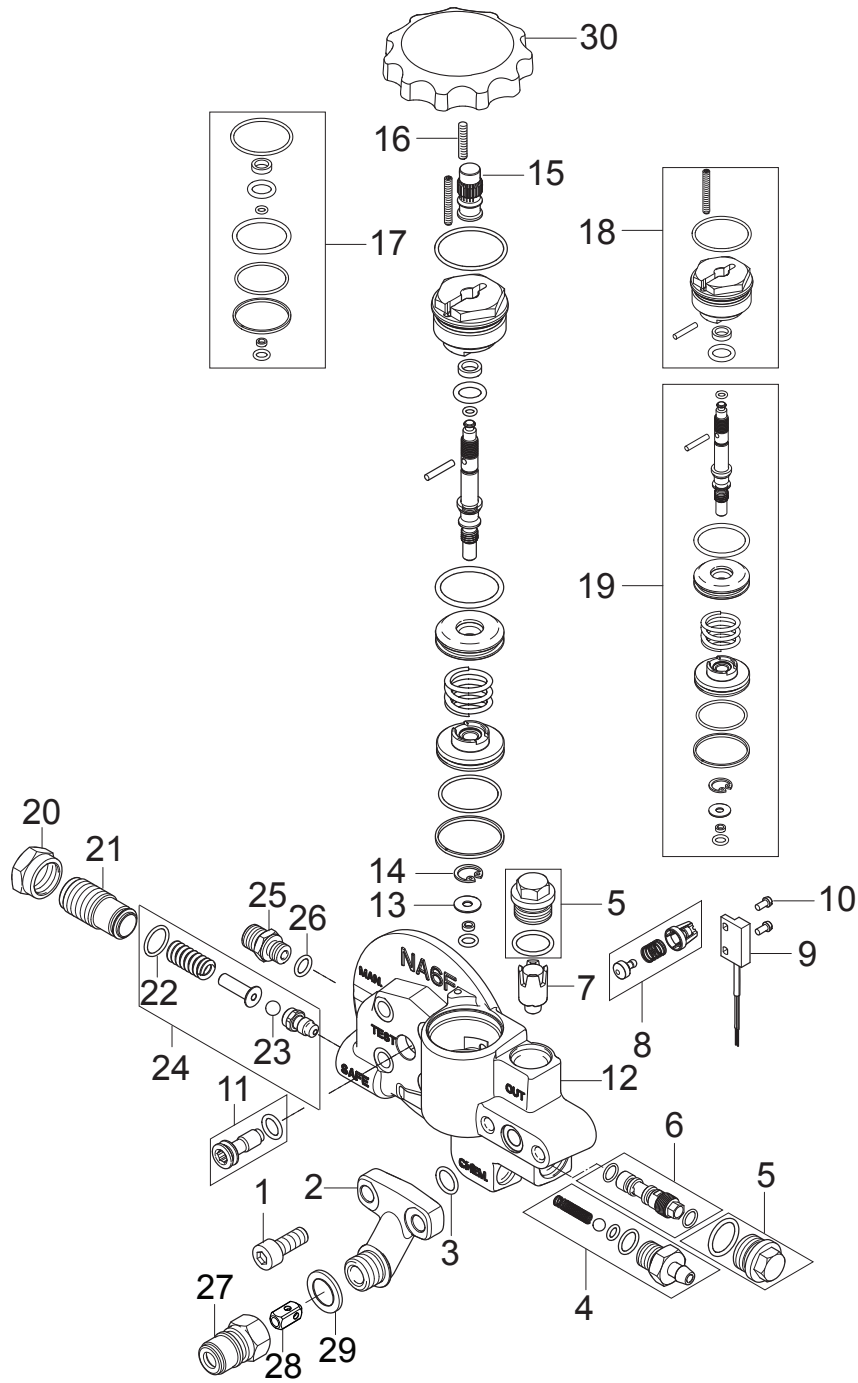
- [1] - Food
- [2] - 6-65
- [3] - 6-64, 6-73 US, (6-65 EXPT)
- [4] - 6-52 FA 220-240/1/60 USA, 6-64 FA 220-230/440-460/3/60EXP
- [5] - 6-61, 6-79
- [6] - 6-52 FA 220-240/1/60 USA
- [7] - 6-64 FA 400/3/50-60 , 6-73 FA 220/400/3/60, 6-79 FA 400/3/50
- [8] - 6-65 FA 230;400/3/50
- [9] - 6-61 FA 400/3/50 EU



Pos.	Numer Produktu	ilość	Opis	Notes
1	101118057	1	SEAL KIT FOR CYLINDER BLOCK NA6	
2	101118066	1	PISTON KIT NA6	[1]
2	101118065	1	PISTON KIT W/MARKING NA6 6-79 / 6-61FFA	[2]
3	101118059	1	RETURN SPRING - KIT NA6	
4	101118060	1	CYLINDER BLOCK - KIT NA6	
5	106408197	1	PUMP HEAD D24 NA6	
6	2767	1	WASHER 10.5 X 20 X 2	
7	1813393	1	SCREW M10X100 DIN912 8.8	
8	101118063	1	INLET MANIFOLD KIT - NA6	
9	101118062	1	OUTLET/INLET VALVE KIT - NA6	
10	101118061	1	USZCZELKA NA6	[3]
10	101118155	1	WATER SEAL KIT - NA6	[4]

Part Notes:

- [1] - 6-52, 6-64, 6-65, 6-73
- [2] - 6-61, 6-79
- [3] - Up to Serial no.:3520140500559
TSB-PPW-2014-007 NA 6 Pump- Water leak
- [4] - From Serial no.:3520140500559
Production date: 2014.01.31.
TSB-PPW-2014-007 NA 6 Pump- Water leak



Pos.	Numer Produktu	ilość	Opis	Notes
1	106408193	2	SCREW M8 X 20 8.8 DIN 912 FZB	
2	106408192	1	OUTLET FITTING FA AXIAL OUTLET	
3	106408191	1	O-RING 10.82X1.78 NBR 70	
4	1119406	1	ZESTAW NAPR ZAWORU ZWROTNEGO	
5	107144154	2	KOREK WLEWU OLEJU M18X1.5	
6	107144112	1	WTRYSKIWACZ KPL. NA5/NA6	[1]
6	107140794	1	VENTURI TUBE D2.3 RED	[2]
7	101118055	1	ZAWÓR	
8	101118056	1	ZAWÓR ZWROTNY KPL. NA6	
9	106408216	1	REED SWITCH	
10	101118033	2	SCREW M3X6 BRASS DIN 84 ISO 1207 KIT	
11	107144137	1	ZŁĄCZE ZAWORU ODCIĄŻ. NA5	
12	106408194	1	UNLOADER FA NA6	
13	106408196	1	WASHER D12.95 X D4.6 X 0.9 BRASS	
14	106408195	1	RETAINING RING SIZE 13 DIN472	
15	106408189	1	NUT M8 X 1 FOR UNLOADER VALVE FA	
16	106408188	1	DIN 913 M4X20 POINTED SCREW	
17	101118050	1	Uszczelnienie	
18	101118051	1	ZŁĄCZE ZAWORU ODCIĄŻAJĄCEGO NA6	
19	101118049	1	CONTROL UNIT - KIT NA6	
20	6100928	1	NAKRĘTKA	
21	6100940	1	ŚRUBA REGULACYJNA	
22	3001070	1	O-RING 13.1X1.6 90SH	
23	1802644	1	KULA ZAWORU 7MM	
24	101118118	1	OPENING VALVE REP. KIT NA5 NA6 FA	
25	1821	1	ZŁĄCZE	
26	3001740	1	O-RING 7.66X1.78 NITRIL 70SH	
27	1600493	1	ZŁĄCZE MĘSKIE ERGO 3/8"	
27	1603101	1	ZŁĄCZE MĘSKIE ERGO 3/8" STAL NIERDZ	[3]
28	6101038	1	TŁOK	
29	1801075	1	PIERŚCIEŃ USZCZ. 23.8X17.2X2 3/8	
30	107140823	1	REGULATOR KNOB NA5/NA6	

Part Notes:

- [1] - 6-64 FA, 6-65 FA
- [2] - 6-79 FA, 6-61 FA
- [3] - INOX

**No
Diagram
Available**

**Parts List
Only**

Pos.	Numer Produktu	ilość	Opis	Notes
	101118106	1	HOSE GUIDE BRAKE COMPLETE KIT	
	101118111	1	HOSE GUIDE KIT	
	101118102	1	HOSE REEL HANDLE KIT	
	101118104	1	SPRING AND LOCK NUT KIT	
	107141632	1	CABLE HOOK	
	107141667	1	LOCK WASHER	
	107141648	1	MANOMETER 0-300 BAR	
	107141679	1	HOSE GUIDE SLEEVE OPEN	
	107141633	1	TERMINAL BLOCK 4Q PE	
	107141627	1	SCREW K50X40 T20	
	107141635	1	DETERGENT BOTTLE 2.5 L	
	107141664	1	CAP FOR DETERGENT TANK	
	107141615	1	RUBBER FOOT	
	107141629	1	HOSE HOOK	
	107141650	1	PLATE FOR MANOMETER	
	107141634	1	REAR END	
	101118103	1	HOSE GUIDE PARTS KIT	
	107141668	1	WATER INLET PIPE NA5/NA6	
	107141630	1	LANCE HOLDER NA	
	107141653	1	MANOMETER TUBE FA MODELS	
	107141676	1	SWIVEL SCREW FOR HOSE REEL	
	101118105	1	PROWADNIK WEŻA CIŚNIENIOWEGO	
	101118101	1	HANDLE KIT	
	107141663	1	RUBBER GROMMET	
	107141690	1	SCREW M5X12 DIN7985 TORX TAPTITE	
0A	101117926	1	FILTR	[1]
0A	101118050	1	Uszczelnienie	[1]
0A	101118061	1	USZCZELKA NA6	[1]
0A	101118055	1	ZAWÓR	[1]
0A	101118056	1	ZAWÓR ZWROTNY KPL. NA6	[1]
0A	101118062	1	OUTLET/INLET VALVE KIT - NA6	[1]
0A	101118057	1	SEAL KIT FOR CYLINDER BLOCK NA6	[1]
0B	101118059	1	RETURN SPRING - KIT NA6	[2]
0B	101118066	1	PISTON KIT NA6	[2]
0B	106408216	1	REED SWITCH	[2]
0C	31000151	1	REAR BEARING EME	[3]
0C	106408210	1	WOBBLE DISC POLISHED 4.3DEG	[3]
0C	3200656	1	LOZYSKO	[3]
0C	106408213	1	WOBBLE DISC POLISHED 7.05DEG	[3]
0C	101117948	1	CAPACITOR 70UF 400/450V DOUBLE FASTON	[3]
0C	106408212	1	WOBBLE DISC POLISHED 5.8DEG	[3]
0C	101118049	1	CONTROL UNIT - KIT NA6	[3]
0C	107141666	1	PCB POSEIDON 5-6-7	[3]
0C	106408202	1	MOTOR 7.5KW. 3X230/400-220/440	[3]
0C	103822303	1	STYCZNIK CJX2-D18 18A 400V 3P+NO	[3]
0C	106408200	1	MOTOR 6.8KW. 3X230/400-220/440	[3]
0C	107120703	1	ELEMENT LOZYSKA	[3]
0C	106408211	1	WOBBLE DISC POLISHED 5.05DEG	[3]
0C	301001058	1	WŁĄCZNIK	[3]
0C	103822314	1	CONTACTOR CJX2-D32 32A 230V 3P+NO	[3]
0C	107141613	1	START RELAY RVA 4N 0D	[3]
0C	3200615	1	LOZYSKO	[3]
0C	106408189	1	NUT M8 X 1 FOR UNLOADER VALVE FA	[3]
0C	106408201	1	MOTOR 5.2KW. 1X230	[3]
0C	301000402	1	RESISTANCE 15KOHM/7W	[3]
0C	31000149	1	REAR BEARING 6306 2Z C3 150 DEGREES RF	[3]
0C	106408203	1	MOTOR 4.5KW. 3X230/400-220/440	[3]
0C	64773	1	AUXILIARY CONTACT 100-SBL11	[3]
0C	101118067	1	FRONT BEARING COVER CPL.	[3]

Pos.	Numer Produktu	ilość	Opis	Notes
0C	101118063	1	INLET MANIFOLD KIT - NA6	[3]
0C	101118051	1	ZŁĄCZE ZAWORU ODCIĄŻAJĄCEGO NA6	[3]
0C	301000263	1	FUSE 0.63A/500AT Ø 6.	[3]
0C	103822308	1	CONTACTOR CJX2-D25 25A 400V 3P+NO	[3]

Part Notes:

- [1] - A
- [2] - B
- [3] - C

Comments:

**No
Diagram
Available**

**Parts List
Only**

Pos.	Numer Produktu	ilość	Opis	Notes
01	106403122	1	PISTOLET ERGO 2000 Z OBROTNICĄ	
01	106403154	1	ERGO 2000 SPRAY GUN W/O LOGO ACC.	[1]
02	106403010	1	LANCA TORNADO PLUS 1120 ZAKRZYWIONA	
03	101119760	1	NOZZLE 1300 - INDICATION RING BROWN	[2]
03	101119747	1	DYSZA TORNADO 0680 1/8"NPT grey	[3]
03	101119748	1	DYSZA TORNADO 0700 1/8"NPT red orange	[4]
03	301150005	1	DYSZA TORNADO 0475	[5]
03	101117655	1	DYSZA TORNADO 0950 DARK ROSE	[6]
04	106403078	1	TURBOHAMMER PLUS 1130 STR./NOZ. W11 1000	[6]
04	48872	1	DYSZA TURBOHAMMER W11 0500	[5]
04	301001629	1	REP. KIT TURBOHAMMER W11 100	[6]
05	1402064	1	WAŻ DN10 15 M 2W 3/8X3/8	
05	6101766	1	WAŻ 10 M 3/8IN DN10	
05	6101767	1	WAŻ 10 M 3/8X3/8 SPOŻYW	
05	1402072	1	WAŻ 20MT 3/8 DN10	
06	106403145	1	KOŁA PRZEDNIE	
07	106403142	1	SANDFILTER RACKED KIT P5 PA/FA P6-P7FA	
08	106403144	1	WATER BRAKE TANK KIT	
08	106403165	1	FILTR PIASKOWY	
09	106403160	1	PAS TRANSPORTOWY 1000KG; 50 CM	
10	106403162	1	DETERGENT TANK W.SAFETY CAP - 2.5 LTR.	
11	106403143	1	BĘBEN NA WAŻ KPL	
12	101118105	1	PROWADNIK WEŻA CIŚNIENIOWEGO	

Part Notes:

- [1] - UNITOR
- [2] - 6-61
- [3] - 6-52 US, 7-67
- [4] - 6-65
- [5] - 6-64
- [6] - 6-79

