

# PARTS LIST

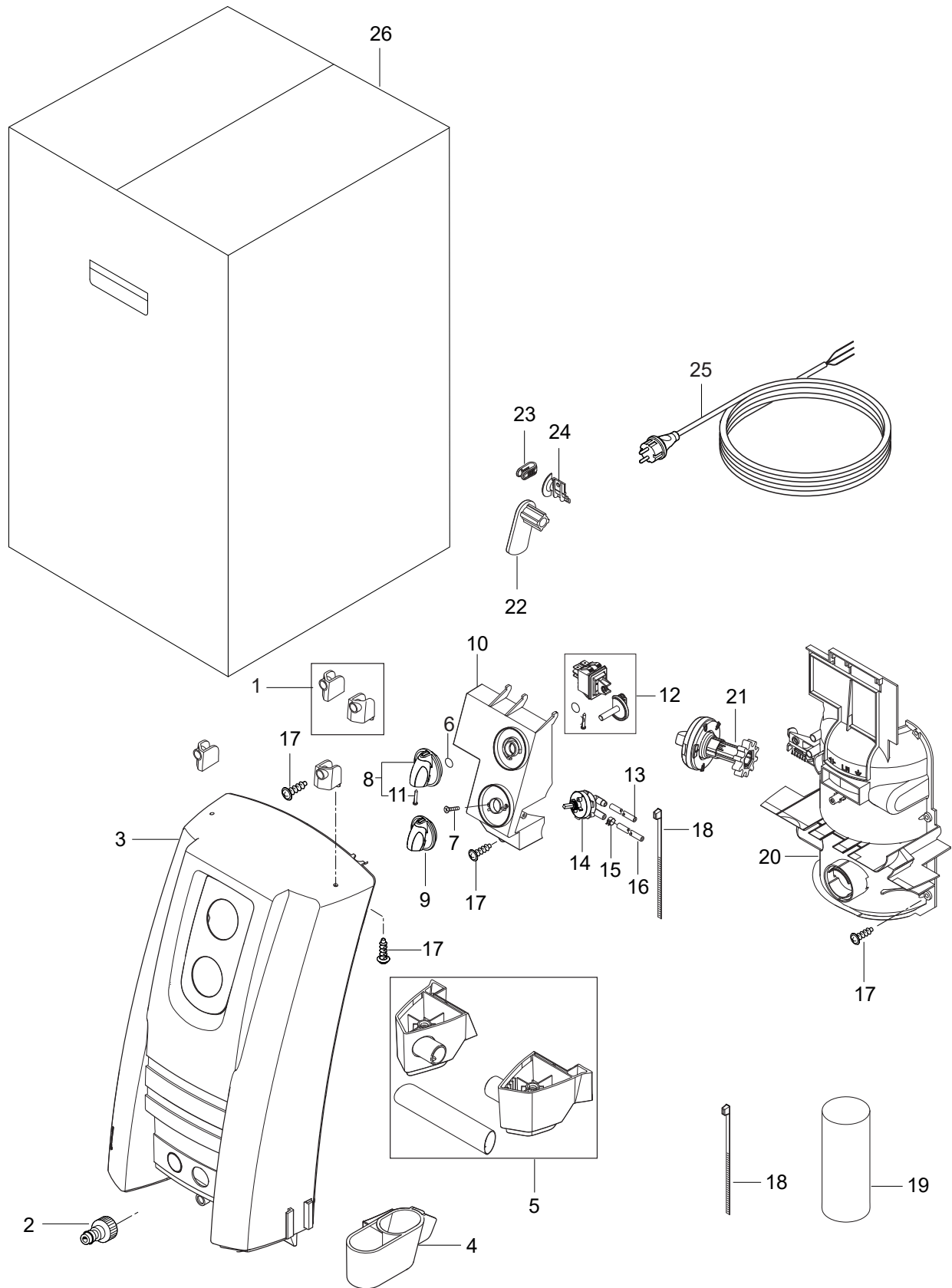


2018.01.19

# TABLE OF CONTENTS

---

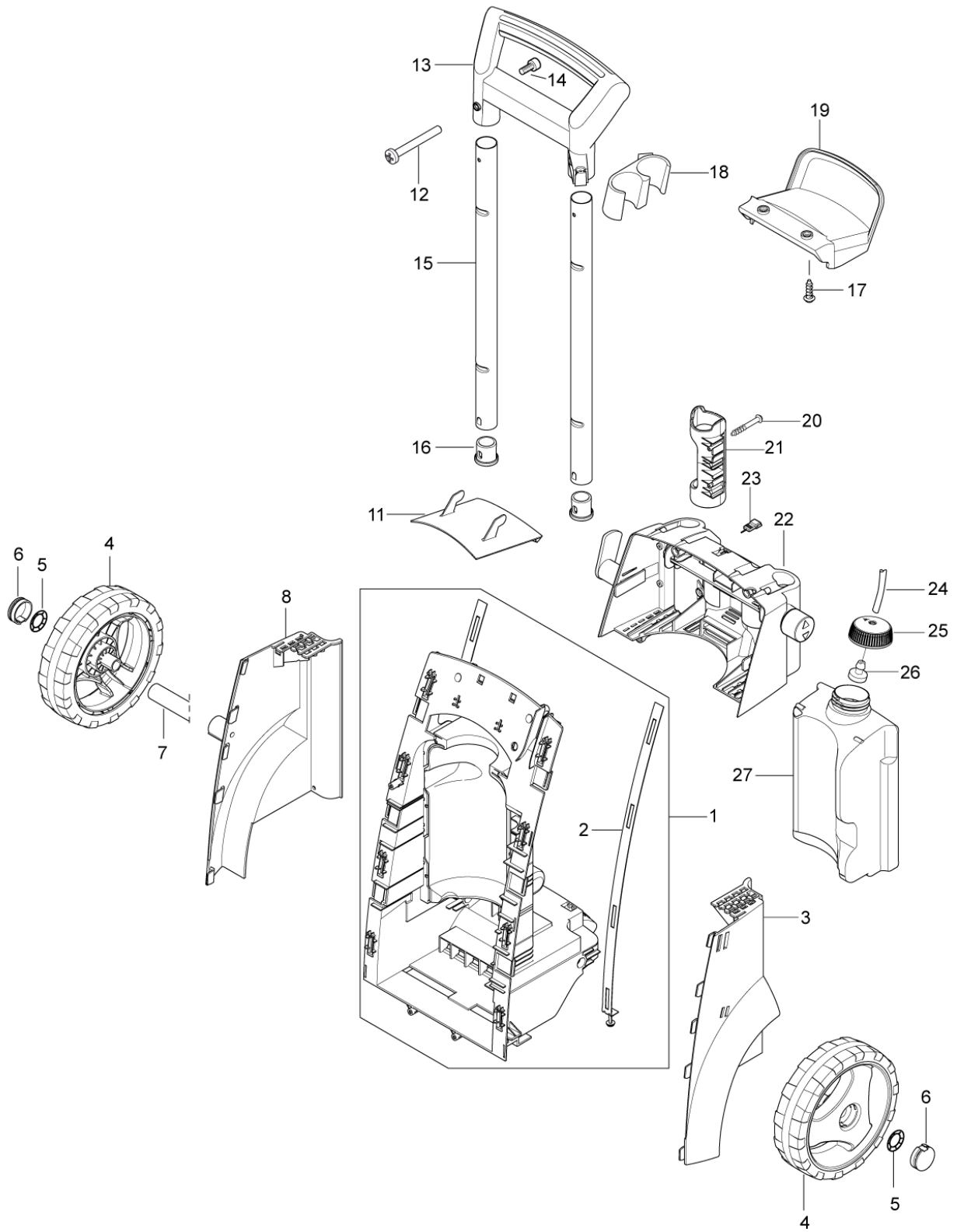
Overview front .....	1
Overview back .....	3
Hose reel .....	5
Motor pump .....	7
Default accessories .....	10



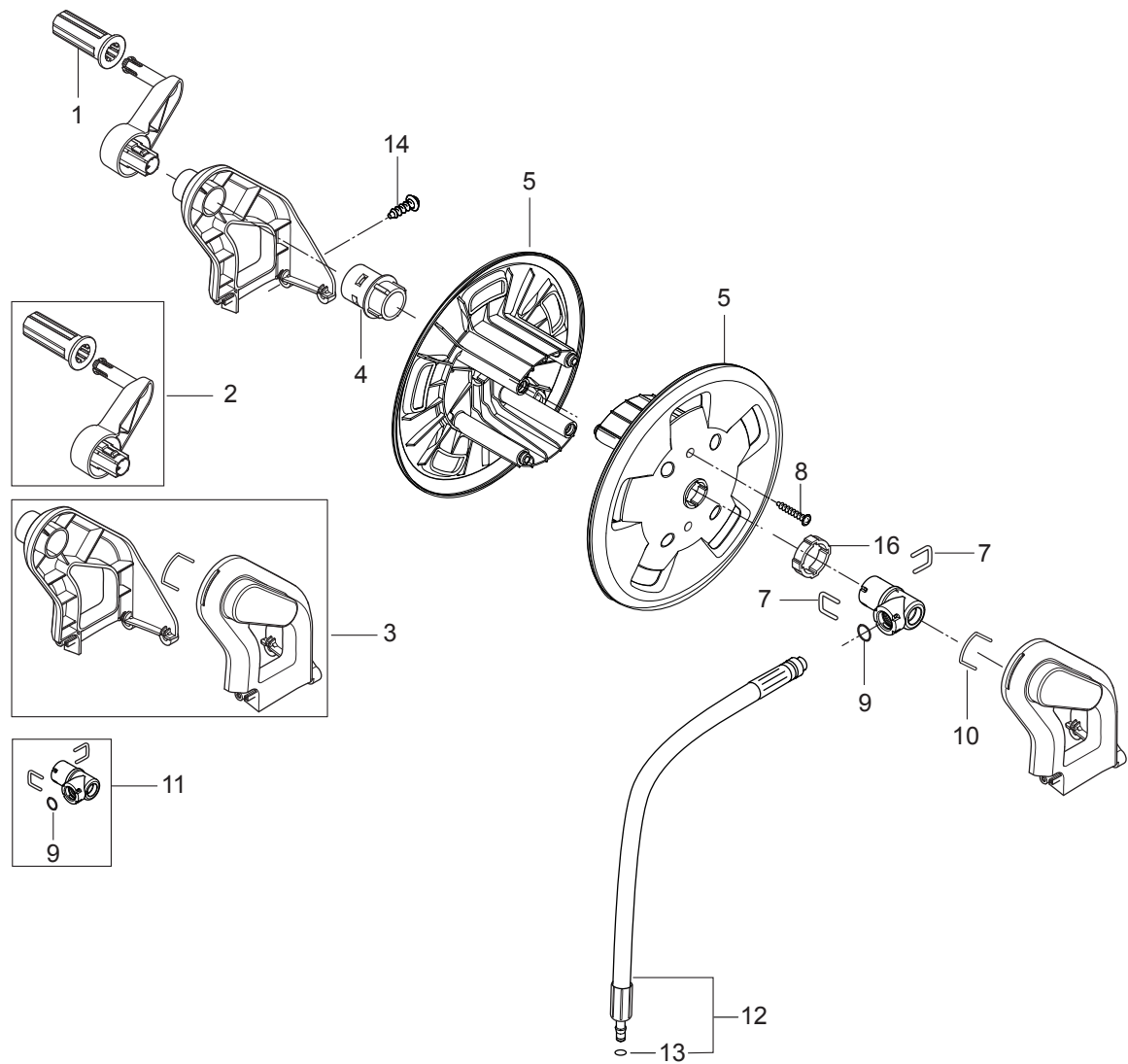
Pos.	Numer Produktu	ilość	Opis	Notes
1	128500146	1	BRACKET F.HOSEREEL HOLDER SP	
2	1402809	1	SZYBKOZŁĄCZKA	
3	128500226	1	FRONT CABINET POSEIDON2 XT SP	
3	128500225	1	FRONT CABINET POSEIDON2 SP	
4	128500228	1	LANCE HOLDER DOUBLE BOTTOM SP	
5	128500105	1	HIGH FOOT WITH GRIP SP	
6	9868	1	O-RING 10.2X2.5 NBR 70	
7	1814730	2	SCREW 35X10B W1423	
8	909100204	1	ROTARY KNOB 6X5 ALTO BLUE	
9	909100214	1	POKRETŁO	
10	128500109	1	SWITCH BOX SP	
11	32526	1	TREAD-CUTTING SCREW 2.9X19 C ISO 1483 ZN	
12	128500978	1	PRO MAIN SWITCH KIT	
13	106408241	1	HOSE PVC 1/4INCH TRANSPARENT - 2 METERS	
14	128500106	1	DOSING VALVE ANGLED SP	
15	1814679	1	HOSE CLIP R12	
16	4973	1	HOSE Ø6X3	
17	107141838	10	SCREW K50X18 WN1451 BLACK TORX20	
18	1814741	2	CABLE TIE	
19	128500154	1	CAPACITOR 100UF DI.SP	
19	128500148	1	CAPACITOR 50UF 450V DI. SP	
20	128500111	1	MOTOR SHIELD FRONT SP	[1]
21	128500227	1	KNOB FLOW REGULATION BLACK	
22	128500155	1	ROTARY CABLE HOOK BLACK SP	
23	128500122	1	CABLE CLIP 16A SP	
24	128500121	1	CABLE RELIEF P12374 SP	
25	128500156	1	CABLE W.PLUG L.5000 US SP	
25	128500157	1	CABLE W.PLUG L.5000 ZA SP	
25	128500123	1	CABLE W PLUG L.5000 EU SP	
25	128500159	1	CABLE W.PLUG L.5000 JP SP	[2]
25	128500125	1	CABLE W PLUG L.5000 GB SP	
25	128500896	1	PVC CABLE W.PLUG EU SP	
25	128500899	1	PVC CABLE W.PLUG 5000 GB SP	
25	128500900	1	PVC CABLE W.PLUG AU/NZ SP	
26	128500223	1	BOX POSEIDON2 10PCS SP	

## Part Notes:

- [1] - TSB-CON-2014-001-Pro-Poseidon-On-Off-Switch-issues  
 [2] - JP and MEX

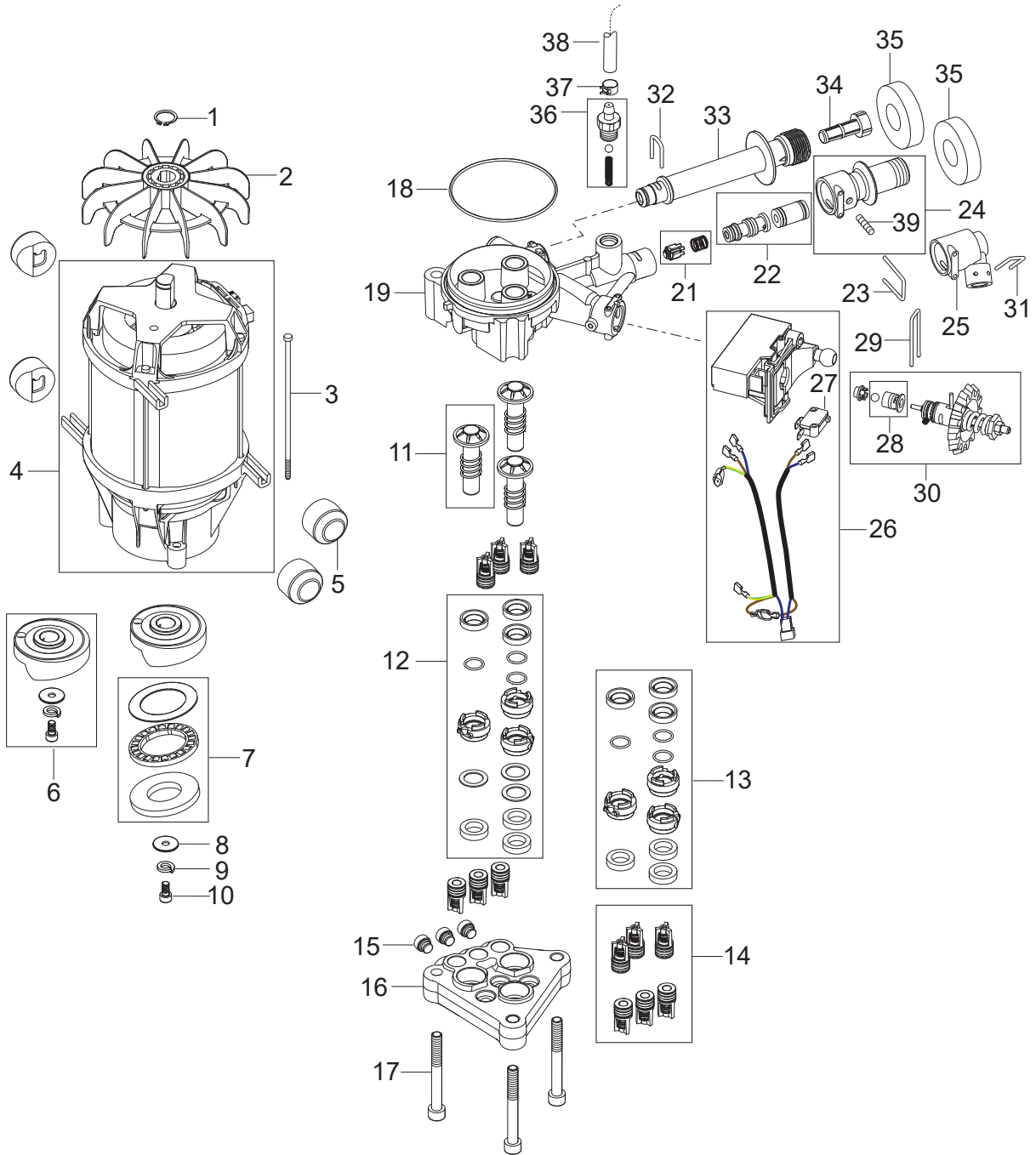


Pos.	Numer Produktu	ilość	Opis	Notes
1	128500129	1	CHASSIS BLACK COMPLETE SP	
2	128500128	2	SLIDER COMPLETE SP	
3	128500119	1	SIDEBUMPER LEFT SP	
4	128500107	1	NILFISK WHEEL OPEN 200MM SP	
5	11710	2	CLAMPING RING Ø15 10PCS	
6	128500118	2	WHEEL CAP ALU SP	
7	6522842	1	AXLE 15X333 P12476	
8	128500116	1	SIDEBUMPER RIGHT SP	
9	107141838	2	SCREW K50X18 WN1451 BLACK TORX20	
11	128500135	1	UMBRELLA SP	
12	128500130	2	NUT FOR HANDLE M4X35 SP	
13	128500205	1	HANDLE COMPLETE BLUE SP	
14	128500132	2	SCREW M4X8 DZN7985 TX20 SP	
15	128500133	2	TELESCOPIC TUBES SP	
16	128500134	2	STOP FOR TELESCOPIHANDLE SP	
17	1814732	3	SCREW K50X18	
18	128500224	1	LANCE HOLDER DOUBLE TOP SP	
19	128500144	1	HOSE HOOK SP	
20	128500203	2	SCREW K50X45 WN1451 SP	
21	128500136	1	GUN HOLDER SP	
22	128500160	1	ACCESSORYSTORAGE STD BLUE SP	
22	128500207	1	ACCESSORYSTORAGE XT BLUE SP	
23	6520844	1	IGŁA	
24	106408241	1	HOSE PVC 1/4INCH TRANSPARENT - 2 METERS	
25	107141664	1	CAP FOR DETERGENT TANK	
26	128500141	1	DETERGENT FILTER SP	
27	128500142	1	DETERGENT TANK SP	



Pos.	Numer Produktu	ilość	Opis	Notes
1	128500750	1	HANDLE GRIB	
2	128500751	1	HANDLE FOR HOSE REEL PRO	
3	128500164	1	UCHWYT	
4	128500869	1	AXLE FOR HOSE REEL	
5	6528570	2	HOSE REEL	
7	6526487	2	LOCK BRACKET SS	
8	128500595	2	SCREW K50X35 WN1452 BLACK TORX	
9	3002144	1	O-RING 14.3X2.4 NITRIL 70 SH	
10	127440229	1	LOCK BRACKET	
11	127440011	1	ADAPTOR SYSTEM ALTO	
12	128500166	1	CONNECTION HOSE SP	
13	3004108	1	O-RING 5.28X1.78 NITRIL 90 SH	
14	107141838	2	SCREW K50X18 WN1451 BLACK TORX20	
16	128500167	1	WASHER FOR HOSE REEL SP	





Pos.	Numer Produktu	ilość	Opis	Notes
0	5218602	1	POMPA OLEJU HV68 1X1L	[1]
1	127500051	1	LOCK RING	
2	127500040	1	NEW FAN	
3	7180924	4	BOLEC 145 MM	
4	128500169	1	MOTOR 3.3KW SP	[2]
4	128500171	1	MOTOR 1.4KW 60HZ SP	[3]
4	128500168	1	MOTOR 2.9KW SP	[4]
5	128332334	4	RACK FOR MOTOR	
6	128500176	1	WOBBLE DISC 6.9 DEGREE SP	[5]
6	128500173	1	WOBBLE DISC 9.5 DEGREE SP	[6]
6	128500175	1	WOBBLE DISC 8.4 DEGREE SP	[7]
6	128500172	1	WOBBLE DISC 10 DEGREE SP	[2]
7	1119705	1	ZESTAW NAPRAWCZY	
8	127130066	1	WASHER D22XD6.4X1.5	
9	127500050	1	SPRING WASHER	
10	3913	1	SCREW M6X12	
11	6526016	3	PISTON STAINLESS REP. KIT	[8]
11	6528577	3	PISTON.CERAMIC REP.KIT	[9]
12	128500178	1	REP SEALING SYS CERAMIC SP	
13	128500179	1	ZESTAW USZCZELNIEN	
14	6526026	1	ZESTAW NAPRAWCZY	
15	6528586	3	PLUG WITH O-RING	
16	127440028	1	CYLINDERHEAD	[10]
16	6528616	1	REP-KIT CYLINDER HEAD PLUS 0.3	[11]
17	1814597	3	CYLINDER SCREW M8X70 DIN 912-8.8 ZN	
18	3003654	1	O-RING	
19	128500981	1	CYLINDER BLOCK W/O MANOMETER	
21	128500183	1	ZAWÓR	
22	128500184	1	INJECTOR 1.64MM SP	
23	127500021	1	LOCK BRACKET	
24	128500186	1	DYNAMIC OUTLET STANDARD SP	
25	128500187	1	DYNAMIC OUTLET XTRA SP	
26	128500188	1	MICRO SWITCH BOX SYSTEM SP	
27	128500196	1	MIKROWŁĄCZNIK	
28	128500190	1	EASY START SP	
29	128500191	1	LOCK BRACKET SP	
30	128500329	1	VALVE PISTON COMPL.JP US MEX	[12]
30	128500192	1	VALVE PISTON COMPLETE SP	
31	6525619	1	LOCK BRACKET. SMALL	
32	128500200	1	LOCK BRACKET SP	
33	128500194	1	ODPŁYW WODY	
34	128500195	1	INLET FILTER MESH SP	
35	126486792	2	FOAM SEAL FOR OUTLET & INLET	
36	6528615	1	OPASKA WĘŻA	
37	1814679	1	HOSE CLIP R12	
38	4973	1	HOSE Ø6X3	
39	128500242	1	M5 SCREW DIN916 SP	

## Part Notes:

- [1] - 0,08L - OIL TYPES\_QUANTITY for HPW\_APRIL 2017
- [2] - 2-29
- [3] - 2-16 60Hz JP, 2-20 US,  
MC 2C-60/380 US, MC 2C-50/525 JP, MC 2C-80/520 T MEX
- [4] - 2-22, 2-25
- [5] - 2-16 60Hz JP, MC 2C-80/520 T MEX
- [6] - 2-25
- [7] - 2-16 50Hz JP, 2-20 US, 2-22 EU, 2-29 KR
- [8] - stainless 2-25, 2-22
- [9] - ceramic 2-29

- [10] - ceramic pistons 2-29
- [11] - steel pistons 2-25
- [12] - JP and US



Pos.	Numer Produktu	ilość	Opis	Notes
00	106403122	1	PISTOLET ERGO 2000 Z OBROTNICĄ	[1]
00	126528620	1	WAŻ KOMPLETNY 10 M	[2]
00	101119496	1	ERGO ZŁĄCZE KOMPL.	
00	6528613	1	WAŻ 15 M 1 OPLOT 3/8-QK	[3]
02	106403077	1	LANCA TURBOHAMMER PLUS 950 W12 0350	[4]
02	106408221	1	DYSZA TURBOHAMMER W12 0370	[5]
02	106402282	1	FLEXOPOWER PLUS 960 ZAKRZYW, BEZ DYSZY	[6]
02	101119736	1	DYSZA TORNADO 0350 1/8"NPT BORDOWA	
02	106408222	1	TURBOHAMMER PLUS 1120 STR. W12 0370 KIT	[7]

## Part Notes:

- [1] - ERGO 2000 Spray handle
- [2] - Hoses - POSEIDON 2, POSEIDON 2 XT
- [3] - XT  
Hoses - POSEIDON 2, POSEIDON 2 XT
- [4] - TURBOHAMMER PLUS lance
- [5] - Poseidon 2-25XT
- [6] - FLEXOPOWER PLUS lance
- [7] - Poseidon 2-25XT  
PRUNED – NO REPLACEMENT

