

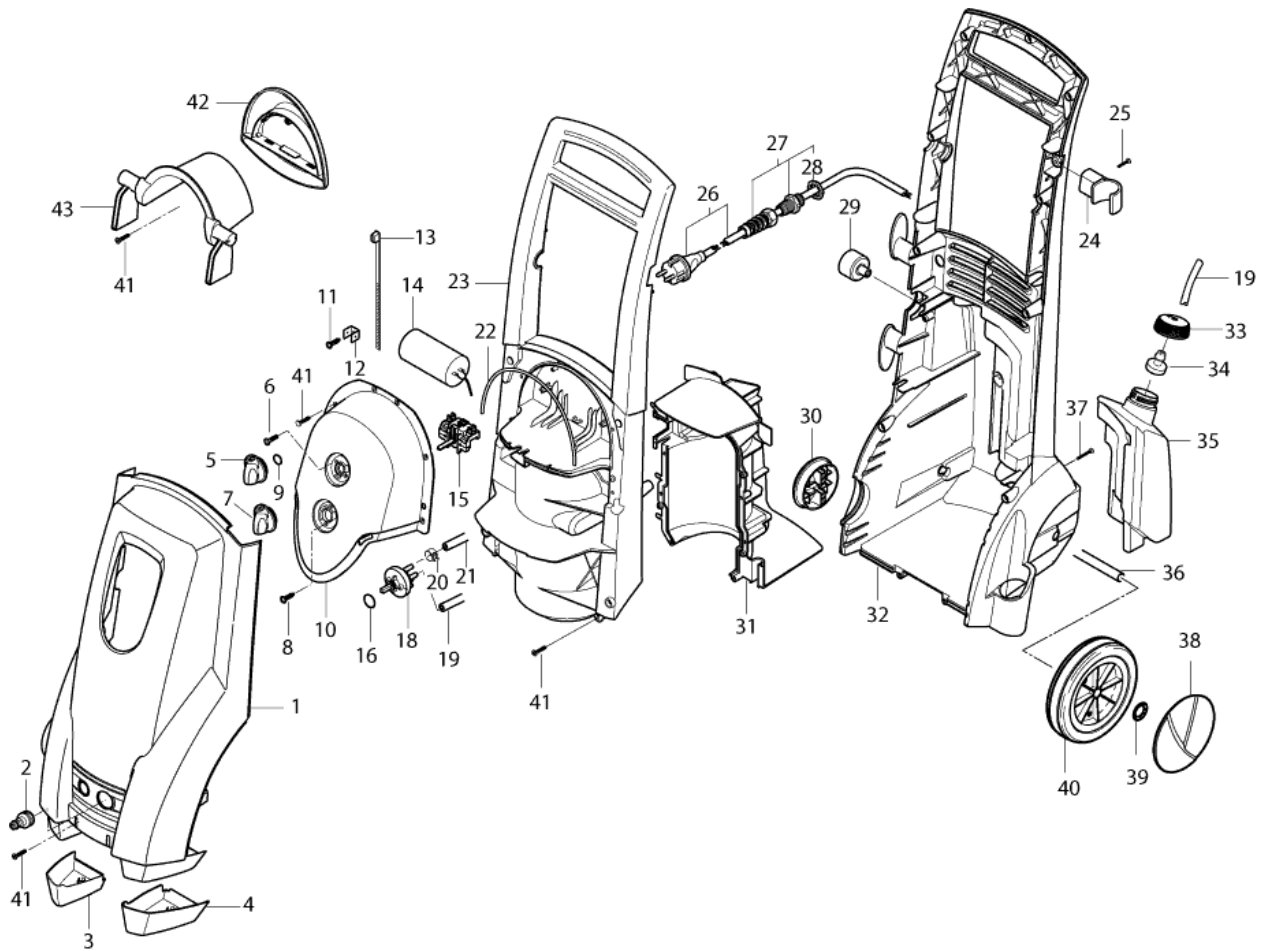
PARTS LIST



2017.11.20

TABLE OF CONTENTS

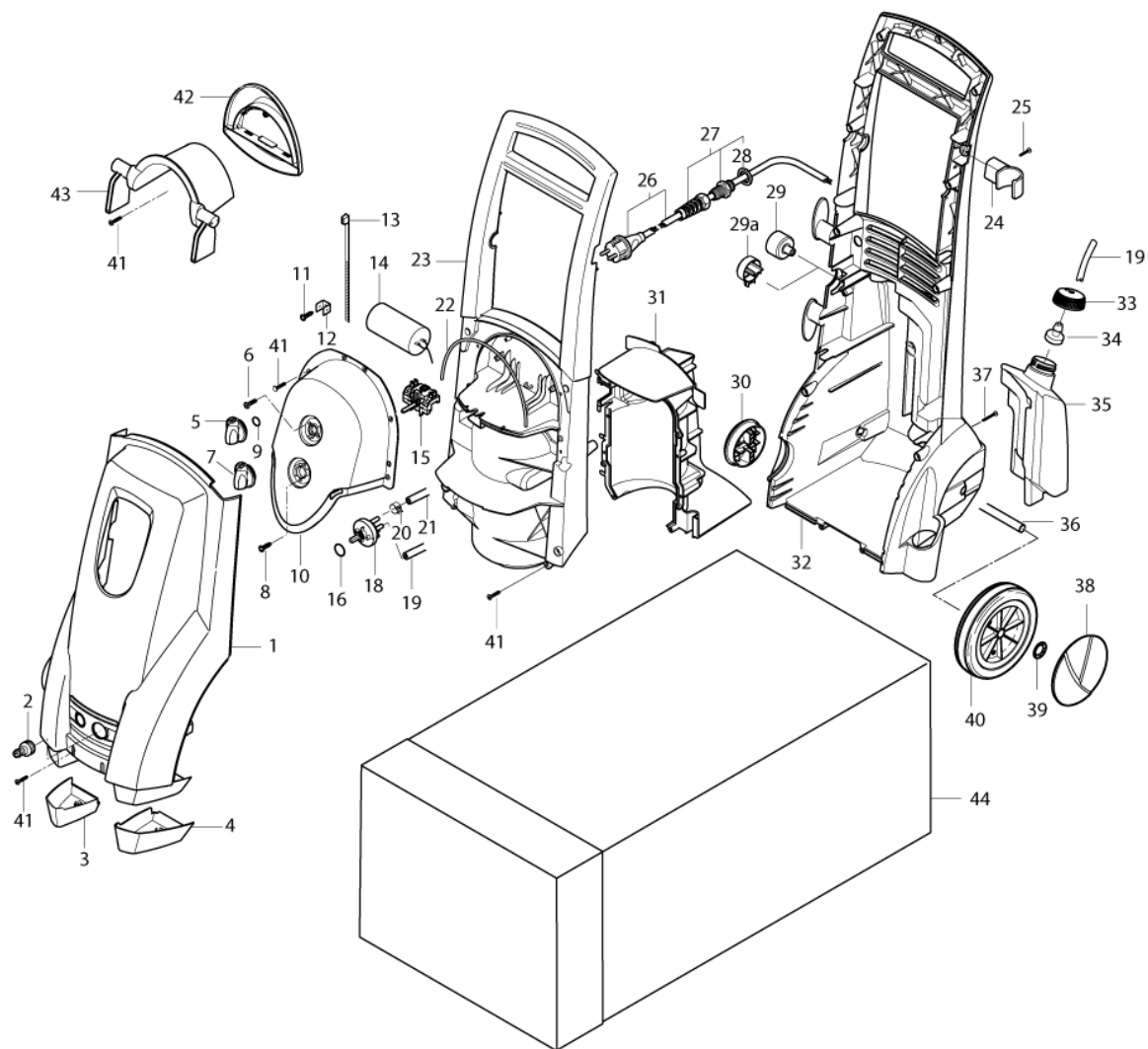
Chassis P150.1 B, P160.1 B	1
Chassis P150.1, P160.1	3
Hose reel B X-TRA	5
Hose reel X-TRA	7
Motor pump for ERGO/SPECIAL	9
Motor pump for P150/160	12
Motor pump for B X-TRA	15
Motor pump without pressure regulation - B	17
Motor pump without pressure regulation - B X-TRA	19
Default accessories	21



Pos.	Numer Produktu	ilość	Opis	Notes
1	6528690	zz?	FRONT COVER.BLUE	[1]
2	1402809	1	SZYBKOZŁĄCZKA	
3	6528565	1	SUPPORT LEG RIGHT	[1]
4	6528566	1	SUPPORT LET LEFT	
5	909100204	1	ROTARY KNOB 6X5 ALTO BLUE	
6	1803451	2	SCREW M4X10 POZI DIN 965 BLACK-CHROM	[1]
7	909100214	1	POKRĘTŁO	
8	1814730	2	SCREW 35X10B W1423	
9	9868	1	O-RING 10.2X2.5 NBR 70	
10	6528416	1	COVER FOR ELECTRIC BOX	[1]
11	1814585	1	PT-SCREW K30X12 WN1452 - BLACK TORX	
12	1814725	1	PLUG	
13	1814741	1	CABLE TIE	
14	3821793	1	CAPACITOR 50UF M. 500 MM CABEL	
15	301001058	1	WŁĄCZNIK	
16	3004221	1	O-RING 16X2 NITRIL 70 SHORE	
18	126528628	1	DOSING VALVE	
19	106408241	1	HOSE PVC 1/4INCH TRANSPARENT - 2 METERS	
20	1814679	1	HOSE CLIP R12	
21	4973	1	HOSE Ø6X3	
22	6528414	1	PACKING CORD 430MM	[1]
23	6528552	1	CHASSIS FRONT BLACK	
24	6528573	1	LANCE HOLDER 38	
25	1814732	2	SCREW K50X18	
26	6521455	1	CABLE WITH PLUG L.5000 EU	
26	6521457	1	CABLE WITH PLUG L.5000 CH	
26	6521456	1	CABLE WITH PLUG L.5000 GB	
27	6528601	1	CABLE GLAND	[1]
28	1953	1	NUT 6KT PG 11 46320 PVC	[1]
29	126528650	1	PLUG F.PRESSURE GAUGE HOLE	[1]
30	126528651	1	PLUG F. PRES.REG.KNOP HOLE	[1]
31	6528561	1	MOTOR SHIELD REAR PART	[1]
32	6528562	1	CHASSIS BACK BALCK	
33	107141664	1	CAP FOR DETERGENT TANK	
34	6400240	1	CHEMICAL FILTER	
35	6528557	1	DETERGENT TANK	
36	6522842	1	AXLE 15X333 P12476	
37	128500595	2	SCREW K50X35 WN1452 BLACK TORX	
38	6522843	2	OSŁONA KOŁA NIEBIESKA	
39	11710	2	CLAMPING RING Ø15 10PCS	
40	6528568	2	WHEEL	
41	107141838	31	SCREW K50X18 WN1451 BLACK TORX20	
42	6528445	1	HOSE HOOK FRONT	[2]
43	6528444	1	HOSE HOOK BACK	[2]
44	128307017	1	10PCS BOXES TO P150/P160	[3]

Part Notes:

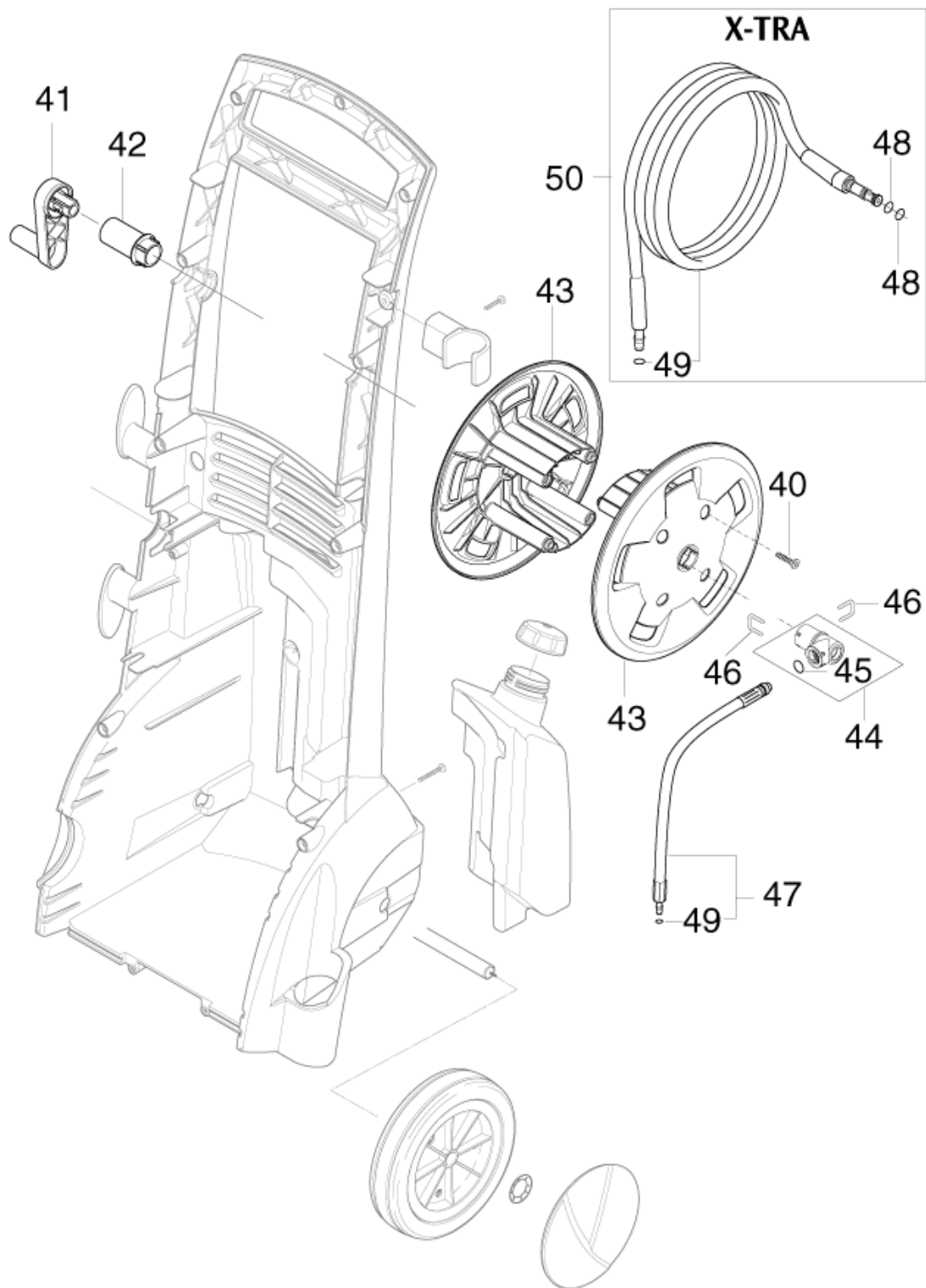
- [1] - STOCK COVERS GUARANTEE
 [2] - NOT X-TRA
 STOCK COVERS GUARANTEE
 [3] - P 150.1 / P 160.1
 NO LONGER AVAILABLE



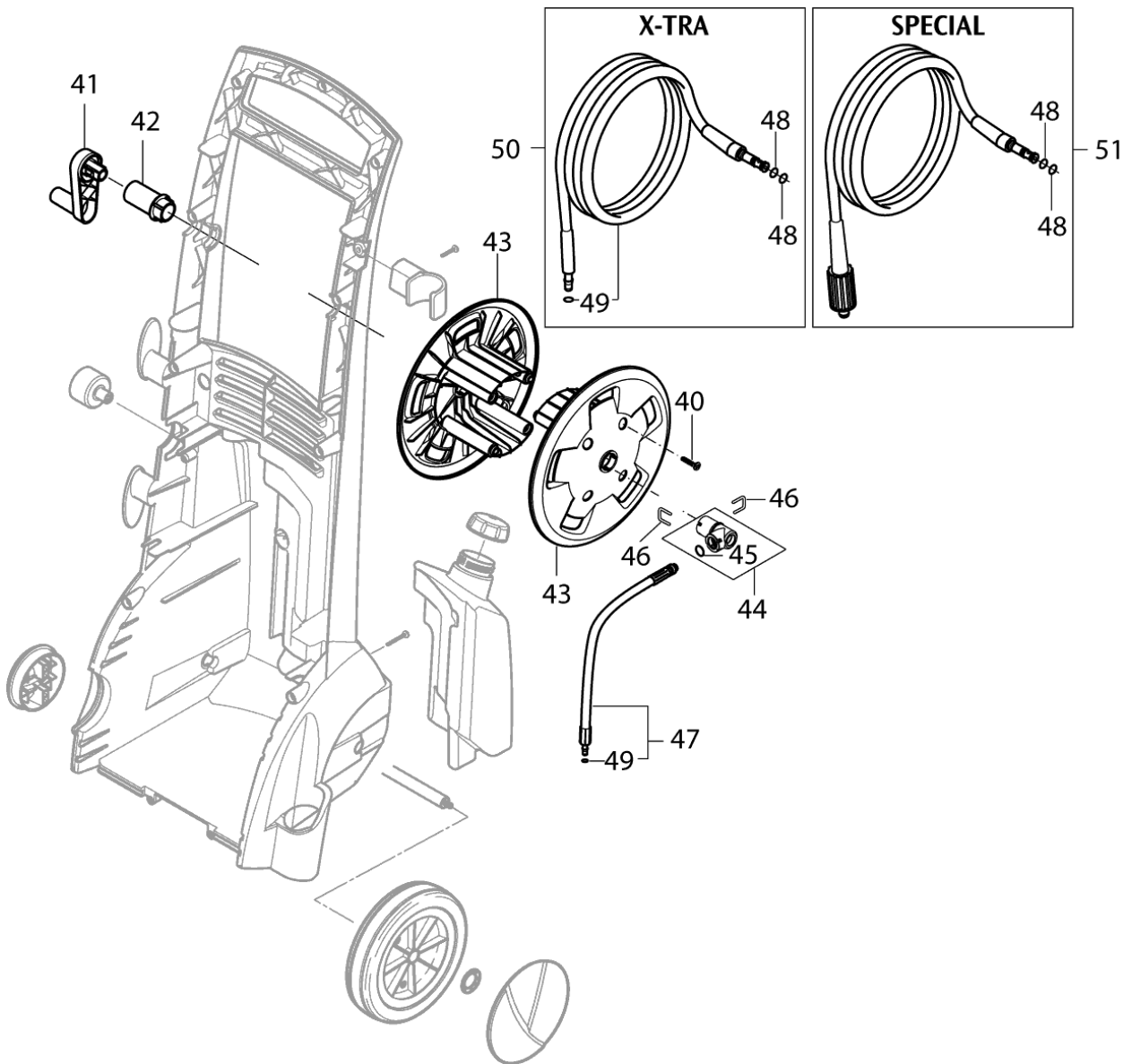
Pos.	Numer Produktu	ilość	Opis	Notes
1	6528690	1	FRONT COVER.BLUE	[1]
2	1402809	1	SZYBKZOŁĄCZKA	
3	6528565	1	SUPPORT LEG RIGHT	[1]
4	6528566	1	SUPPORT LET LEFT	
5	909100204	1	ROTARY KNOB 6X5 ALTO BLUE	
6	1803451	2	SCREW M4X10 POZI DIN 965 BLACK-CHROM	[1]
7	909100214	1	POKRĘTŁO	
8	1814730	2	SCREW 35X10B W1423	
9	9868	1	O-RING 10.2X2.5 NBR 70	
10	6528416	1	COVER FOR ELECTRIC BOX	[1]
11	1814585	1	PT-SCREW K30X12 WN1452 - BLACK TORX	
12	1814725	1	PLUG	
13	1814741	1	CABLE TIE	
14	3821793	1	CAPACITOR 50UF M. 500 MM CABEL	
15	301001058	1	WŁĄCZNIK	
16	3004221	1	O-RING 16X2 NITRIL 70 SHORE	
18	126528628	1	DOSING VALVE	
19	106408241	1	HOSE PVC 1/4INCH TRANSPARENT - 2 METERS	
20	1814679	1	HOSE CLIP R12	
21	4973	1	HOSE Ø6X3	
22	6528414	1	PACKING CORD 430MM	[1]
23	6528552	1	CHASSIS FRONT BLACK	
24	6528573	1	LANCE HOLDER 38	
24	6528572	1	LANCE HOLDER 47MM	[2]
25	1814732	2	SCREW K50X18	
26	6521458	1	ELECTRIC CABLE WITH PLUG 5M-ZA	[1]
26	6521459	1	CABLE WITH PLUG AUS NZ	[3]
26	6521456	1	CABLE WITH PLUG L.5000 GB	
26	6521460	1	CABLE WITH PLUG L5000 J	
26	6521455	1	CABLE WITH PLUG L.5000 EU	
26	6521457	1	CABLE WITH PLUG L.5000 CH	
27	6528601	1	CABLE GLAND	[1]
28	1953	1	NUT 6KT PG 11 46320 PVC	[1]
29	6528559	1	MANOMETR 0-315 BAR	[4]
30	6528435	1	PRESSURE REGULATION KNOP	
31	6528561	1	MOTOR SHIELD REAR PART	[1]
32	6528562	1	CHASSIS BACK BALCK	
33	107141664	1	CAP FOR DETERGENT TANK	
34	6400240	1	CHEMICAL FILTER	
35	6528557	1	DETERGENT TANK	
36	6522842	1	AXLE 15X333 P12476	
37	128500595	2	SCREW K50X35 WN1452 BLACK TORX	
38	6522843	2	OSŁONA KOŁA NIEBIESKA	
39	11710	2	CLAMPING RING Ø15 10PCS	
40	6528568	2	WHEEL	
41	107141838	31	SCREW K50X18 WN1451 BLACK TORX20	
42	6528445	1	HOSE HOOK FRONT	[1]
43	6528444	1	HOSE HOOK BACK	[1]
44	128307017	1	10PCS BOXES TO P150/P160	[5]
44	126486889	1	BOX-10 PCS OF POSEIDON	[1]
NI	126486899	1	BOX-10 PCS. OF P150/P160 X-TRA	[1]

Part Notes:

- [1] - STOCK COVERS GUARANTEE
- [2] - Not for P 140
- [3] - GUARANTEE DATE EXPIRED
- [4] - EXTERNAL VENDOR
- [5] - P 150.1 / P 160.1
NO LONGER AVAILABLE



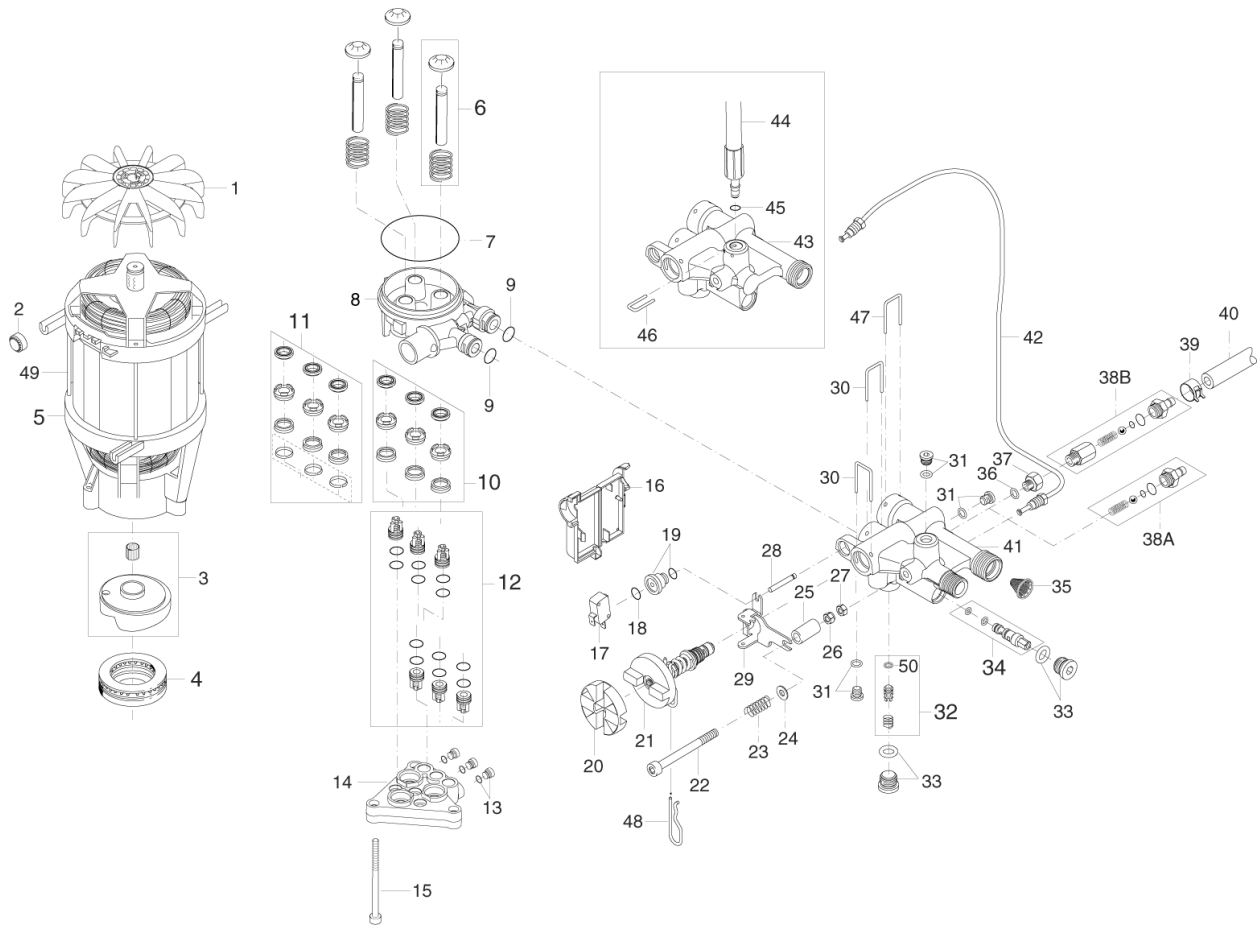
Pos.	Numer Produktu	ilość	Opis	Notes
40	107141838	4	SCREW K50X18 WN1451 BLACK TORX20	
41	6528569	1	HOSE REEL HANDL	
42	6528571	1	ADAPTOR	
43	6528570	2	HOSE REEL	
44	6127006	1	CONNECTOR P12427 REP.KIT	
45	3002144	1	O-RING 14.3X2.4 NITRIL 70 SH	
46	6526487	2	LOCK BRACKET SS	
47	127500075	1	X-TRA HOSE	
48	3004321	2	O-RING 10X2 ULTRATHIN	
49	3004304	2	O-RING 5.1X1.6 VITON SH 90	
50	128500082	1	WAŻ 10M SUPERFLEX	
50	128500084	1	WAŻ 15M SUPERFLEX	



Pos.	Numer Produktu	ilość	Opis	Notes
40	107141838	4	SCREW K50X18 WN1451 BLACK TORX20	
41	6528569	1	HOSE REEL HANDL	
42	6528571	1	ADAPTOR	
43	6528570	2	HOSE REEL	
44	6127006	1	CONNECTOR P12427 REP.KIT	
45	3002144	1	O-RING 14.3X2.4 NITRIL 70 SH	
46	6526487	2	LOCK BRACKET SS	
47	127500075	1	X-TRA HOSE	
48	3004321	2	O-RING 10X2 ULTRATHIN	
49	6411221	1	BAG W. 20 O-RINGS	
49	3004304	2	O-RING 5.1X1.6 VITON SH 90	[1]
50	128500084	1	WAŻ 15M SUPERFLEX	[1]
51	6528612	1	HOSE COMPL.STEELARMED DN6X15M	[2]

Part Notes:

- [1] - Only for X-TRA
 [2] - Only for PRO SPECIAL

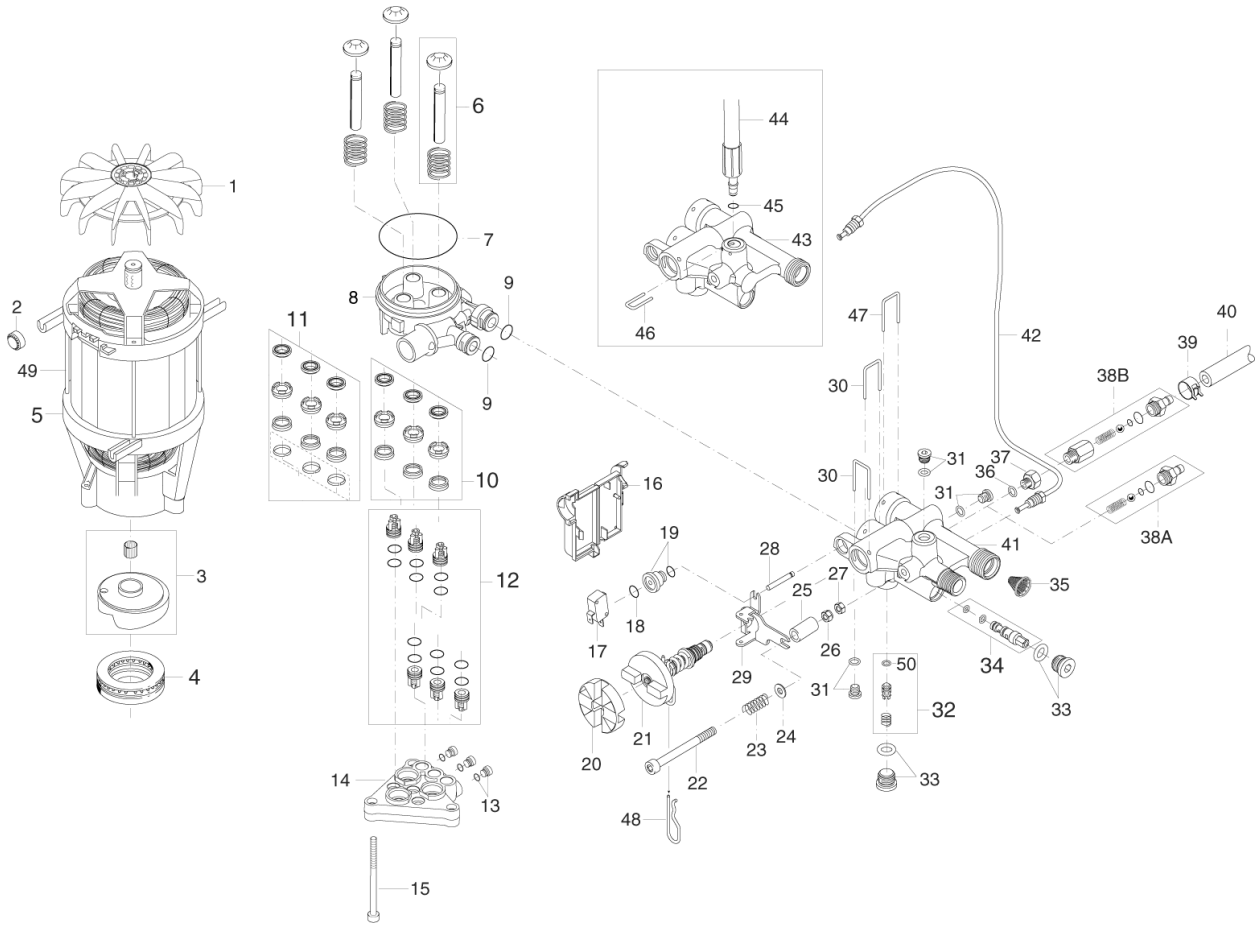


Pos.	Numer Produktu	ilość	Opis	Notes
1	6524042	1	FAN P406	
2	128332334	4	RACK FOR MOTOR	
3	6528585	1	KRZYWKA	[1]
4	1119705	1	ZESTAW NAPRAWCZY	
5	6528594	1	MOTOR 230V 50HZ 3.3KW	[2]
6	6528577	3	PISTON.CERAMIC REP.KIT	[3]
7	3003654	1	O-RING	
8	127440029	1	CYLINDERBLOCK COMPLETE	
9	3001393	2	O-RING 17.13X2.62 NITRIL 90 SH	
10	6526018	1	ZESTAW USZCZELNIEN	
11	6528602	1	REP-KIT SEALING SYSTEM	[4]
12	6526026	1	ZESTAW NAPRAWCZY	
13	6528586	3	PLUG WITH O-RING	
14	6528616	1	REP-KIT CYLINDER HEAD PLUS 0.3	
15	1814597	3	CYLINDER SCREW M8X70 DIN 912-8.8 ZN	
16	6528578	1	MICROSWITCH BOX COMPLETE	
17	3821991	1	MICROSWITCH WORKED P12476	
18	3004082	1	O-RING 11.6x2.4 SMS 1586 EPDM70	
19	6528598	1	KOREK Z O-RING	
20	6528579	1	SLIDING PLATE	
21	126528629	1	ZAWÓR	
22	1814740	1	SCREW M6X65	[5]
23	2602522	1	SPRING F. ACTIVATOR ARM P12476	[5]
24	1800440	2	WASHER -1101320 -1103440	
25	6528459	1	DISTANCE PIECE	
26	33158	1	LOCK NUT M6 A2 DIN 985	
27	1800705	1	NUT M6 ISO 4032	
28	6528423	1	ACTIVATOR PIN	[5]
29	6528581	1	ACTIVATOR ARM	
30	6528458	2	LOCK BRACKET	
31	6528599	3	PLUG WITH O-RING	
32	128500183	1	ZAWÓR	
33	6528600	1	PLUG COMPLETE	
34	6528587	1	INŻEKTOR	[6]
35	6528574	1	WATER FILTER COMPLETE	
36	3004363	1	O-RING 6.0 X 2.2 SH 70	[7]
37	6528545	1	EXTENTION PIECE	[7]
38A	6528615	1	OPASKA WĘŻA	[8]
38B	6124314	1	REGULATOR WYPIŁYWU DETERGENTU	[9]
39	1814679	1	HOSE CLIP R12	
40	106408241	1	HOSE PVC 1/4INCH TRANSPARENT - 2 METERS	
42	6528558	1	PRESSURE METER TUBE COMPLETE	
43	6528583	1	VALVE HOUSING X-TRA	[10]
44	127500075	1	X-TRA HOSE	[10]
45	3004304	1	O-RING 5.1X1.6 VITON SH 90	[10]
46	6525619	1	LOCK BRACKET. SMALL	[10]
47	6528544	1	LOCK BRACKET	
48	6528461	1	CROSS PIN	
49	7180924	4	BOLEC 145 MM	
50	123004374	1	O-RING 5.28 X 1.78 PUR SH 93	[11]

Part Notes:

- [1] - 140, 150.1, ERGO, SPECIAL
- [2] - 145, 160
- [3] - 160.1, 150.1
- [4] - For ceramic pistons
- [5] - STOCK COVERS GUARANTEE
- [6] - 140,150,150.1,160.1

- [7] - >2004.05.10 and 2004.07.01
STOCK COVERS GUARANTEE
- [8] - >2004.05.10 and 2004.07.01
- [9] - >2004.05.10 and 2004.07.01
CLOSED WHEN STOCK EMPTY
- [10] - X-TRA
- [11] - PRUNED

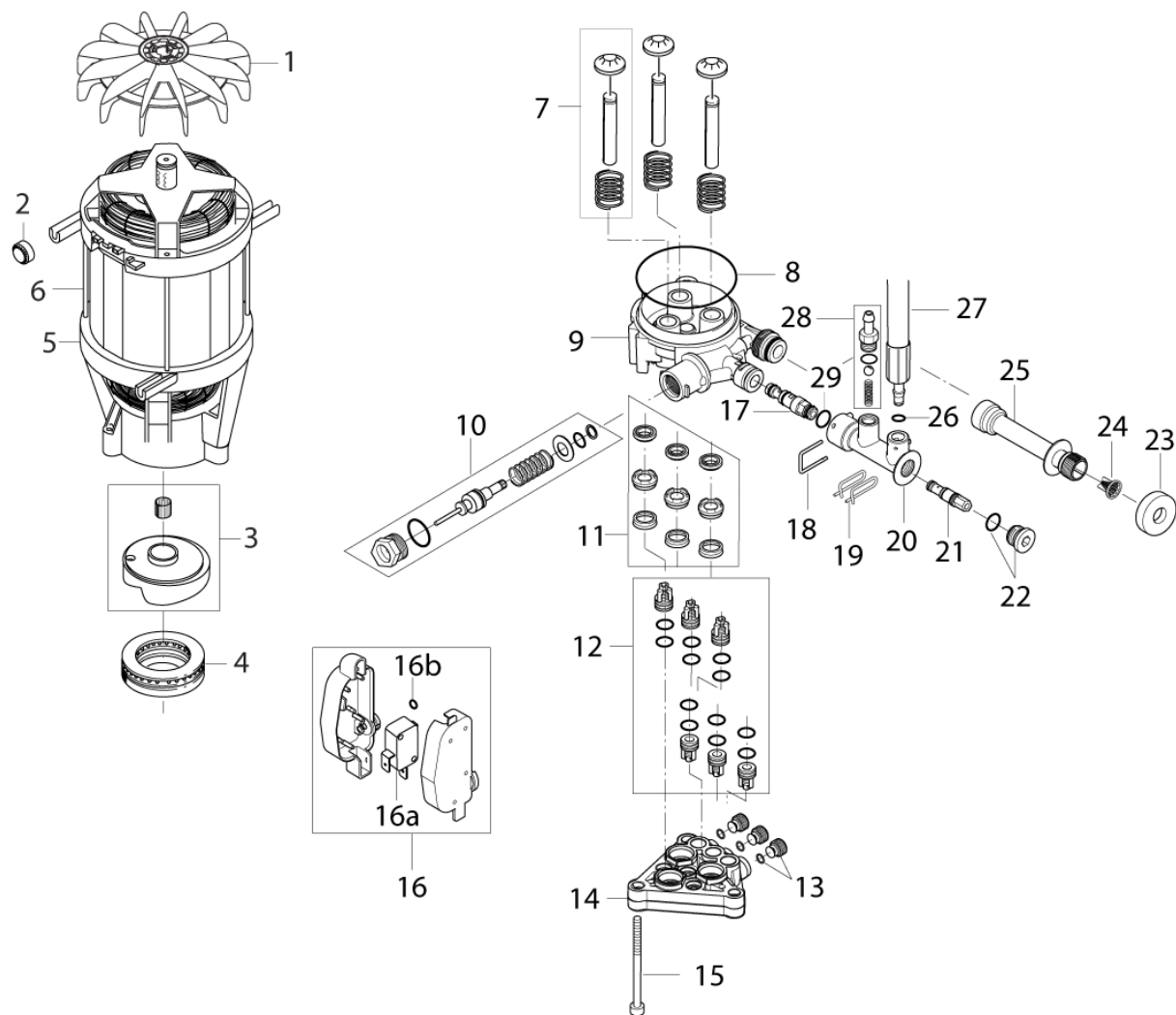


Pos.	Numer Produktu	ilość	Opis	Notes
0	126528627	1	MOTOR WITH WOBBLE DISC 3.3KW	
1	6524042	1	FAN P406	
2	128332334	4	RACK FOR MOTOR	
3	6528592	1	WOBBLE DISC	[1]
4	1119705	1	ZESTAW NAPRAWCZY	
5	6528594	1	MOTOR 230V 50HZ 3.3KW	[2]
6	6528577	3	PISTON.CERAMIC REP.KIT	[2]
7	3003654	1	O-RING	
8	127440029	1	CYLINDERBLOCK COMPLETE	
9	3001393	2	O-RING 17.13X2.62 NITRIL 90 SH	
10	6526018	1	ZESTAW USZCZELNIEN	
11	6528602	1	REP-KIT SEALING SYSTEM	[3]
12	6526026	1	ZESTAW NAPRAWCZY	
13	6528586	3	PLUG WITH O-RING	
14	6528616	1	REP-KIT CYLINDER HEAD PLUS 0.3	
15	1814597	3	CYLINDER SCREW M8X70 DIN 912-8.8 ZN	
16	6528578	1	MICROSWITCH BOX COMPLETE	
17	3821991	1	MICROSWITCH WORKED P12476	
18	3004082	1	O-RING 11.6x2.4 SMS 1586 EPDM70	
19	6528598	1	KOREK Z O-RING	
20	6528579	1	SLIDING PLATE	
21	126528629	1	ZAWÓR	
22	1814740	1	SCREW M6X65	[1]
23	2602522	1	SPRING F. ACTIVATOR ARM P12476	[1]
24	1800440	2	WASHER -1101320 -1103440	
25	6528459	1	DISTANCE PIECE	
26	33158	1	LOCK NUT M6 A2 DIN 985	
27	1800705	1	NUT M6 ISO 4032	
28	6528423	1	ACTIVATOR PIN	[1]
29	6528581	1	ACTIVATOR ARM	
30	6528458	2	LOCK BRACKET	
31	6528599	3	PLUG WITH O-RING	
32	128500183	1	ZAWÓR	
33	6528600	1	PLUG COMPLETE	
34	6528587	1	INŻEKTOR	[4]
35	6528574	1	WATER FILTER COMPLETE	
36	3004363	1	O-RING 6.0 X 2.2 SH 70	[5]
37	6528545	1	EXTENTION PIECE	[6]
38A	6528615	1	OPASKA WEŻA	[7]
38B	6124314	1	REGULATOR WYPŁYWU DETERGENTU	[8]
39	1814679	1	HOSE CLIP R12	
40	106408241	1	HOSE PVC 1/4INCH TRANSPARENT - 2 METERS	
41	6528582	1	VALVE HOUSING STANDARD	
42	6528558	1	PRESSURE METER TUBE COMPLETE	
43	6528583	1	VALVE HOUSING X-TRA	[9]
44	127500075	1	X-TRA HOSE	[9]
45	3004304	1	O-RING 5.1X1.6 VITON SH 90	[9]
46	6411221	1	BAG W. 20 O-RINGS	
47	6525619	1	LOCK BRACKET. SMALL	[9]
48	6528544	1	LOCK BRACKET	
49	6528461	1	CROSS PIN	
49	7180924	4	BOLEC 145 MM	
50	123004374	1	O-RING 5.28 X 1.78 PUR SH 93	[10]

Part Notes:

- [1] - STOCK COVERS GUARANTEE
- [2] - 140, 120, 150.1, 130.1
- [3] - For Ceramic pistons
- [4] - 140,150,150.1,160.1

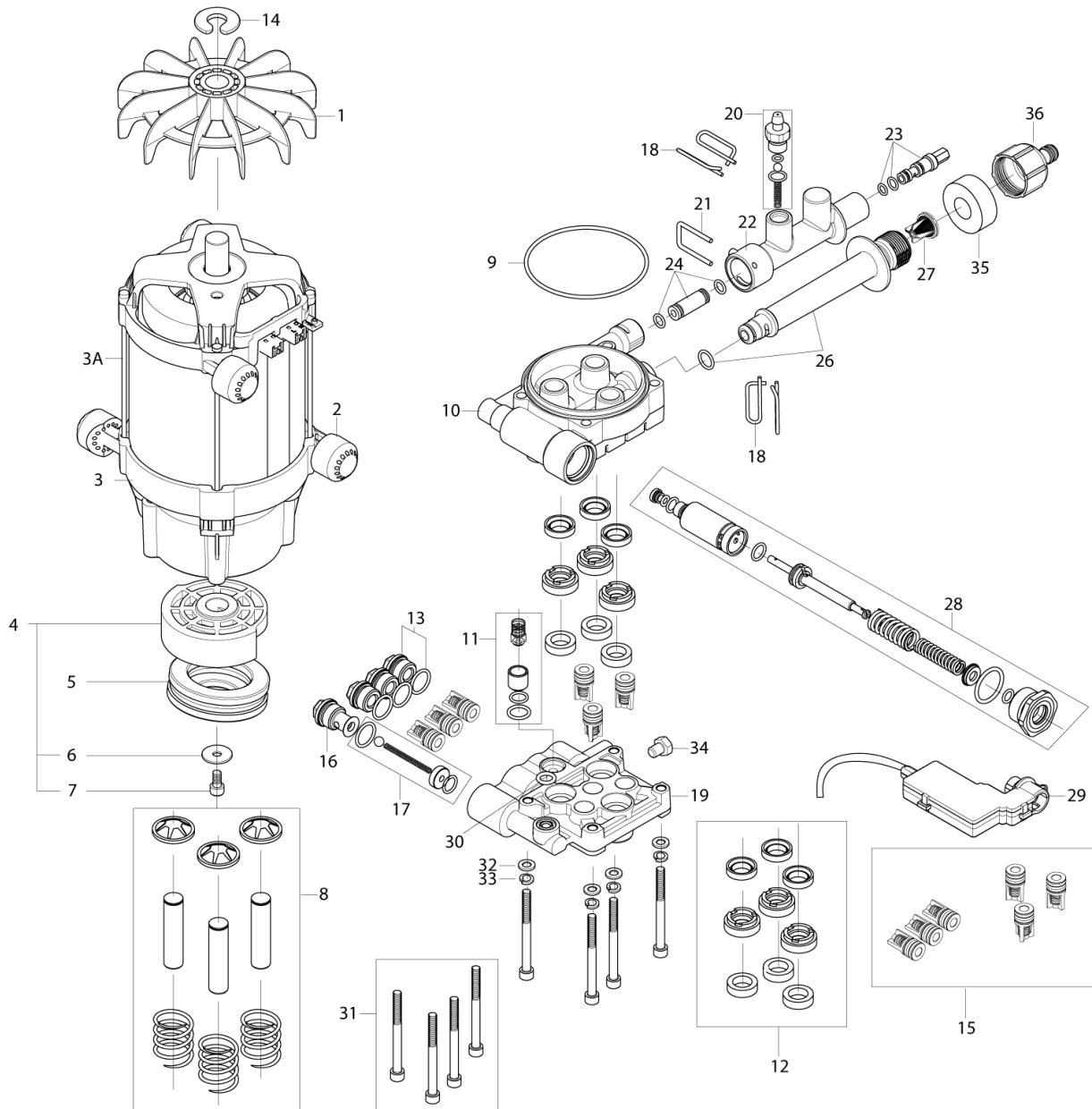
- [5] - >2004.05.10 and 2004.07.01
STOCK COVERS GUARANTEE
- [6] - >2004.05.10 and 2007.07.01
STOCK COVERS GUARANTEE
- [7] - >2004.05.10 and 2004.07.01
- [8] - >2004.05.10 and 2004.07.01
CLOSED WHEN STOCK EMPTY
- [9] - X-TRA
- [10] - PRUNED



Pos.	Numer Produktu	ilość	Opis	Notes
1	6524042	1	FAN P406	
2	128332334	1	RACK FOR MOTOR	
3	126528652	1	WOBBLE DISC 9.2	[1]
3	126528657	1	WOBBLE DISC	[2]
4	1119705	1	ZESTAW NAPRAWCZY	
5	6528594	1	MOTOR 230V 50HZ 3.3KW	
5	6528593	1	MOTOR 230-240V 50HZ 2.9KW	
6	106526209	4	STUD	[3]
7	6526016	3	PISTON STAINLESS REP. KIT	
8	3003654	1	O-RING	
9	6525598	1	CYLINDER BLOCK. ANODIZATION	[4]
10	126528653	1	START/STOP VALVE	
11	6526018	1	ZESTAW USZCZELNIEN	
12	6526026	1	ZESTAW NAPRAWCZY	
13	6528586	3	PLUG WITH O-RING	
14	6528616	1	REP-KIT CYLINDER HEAD PLUS 0.3	
15	1814597	3	CYLINDER SCREW M8X70 DIN 912-8.8 ZN	
16	126528654	1	MICROSWITCH BOX BOMplete	
16A	123822159	1	MICROSWITCH 16/16 MARQUART	
16B	3004082	1	O-RING 11.6x2.4 SMS 1586 EPDM70	
17	126528655	1	WTRYSKIWACZ ALTO-BLUE	
18	6528458	1	LOCK BRACKET	
19	126528532	2	LOCK BRACKET	
20	126528658	1	WATER OUTLET X-TRA	[3]
21	126528656	1	WTRYSKIWACZ BORDEAUX	
22	6528600	1	PLUG COMPLETE	
23	126486792	1	FOAM SEAL FOR OUTLET & INLET	
24	6528574	1	WATER FILTER COMPLETE	
25	126528659	1	WATER INLET	[3]
26	3004304	1	O-RING 5.1X1.6 VITON SH 90	
27	127500075	1	X-TRA HOSE	
28	6528615	1	OPASKA WEŻA	
29	3001393	1	O-RING 17.13X2.62 NITRIL 90 SH	

Part Notes:

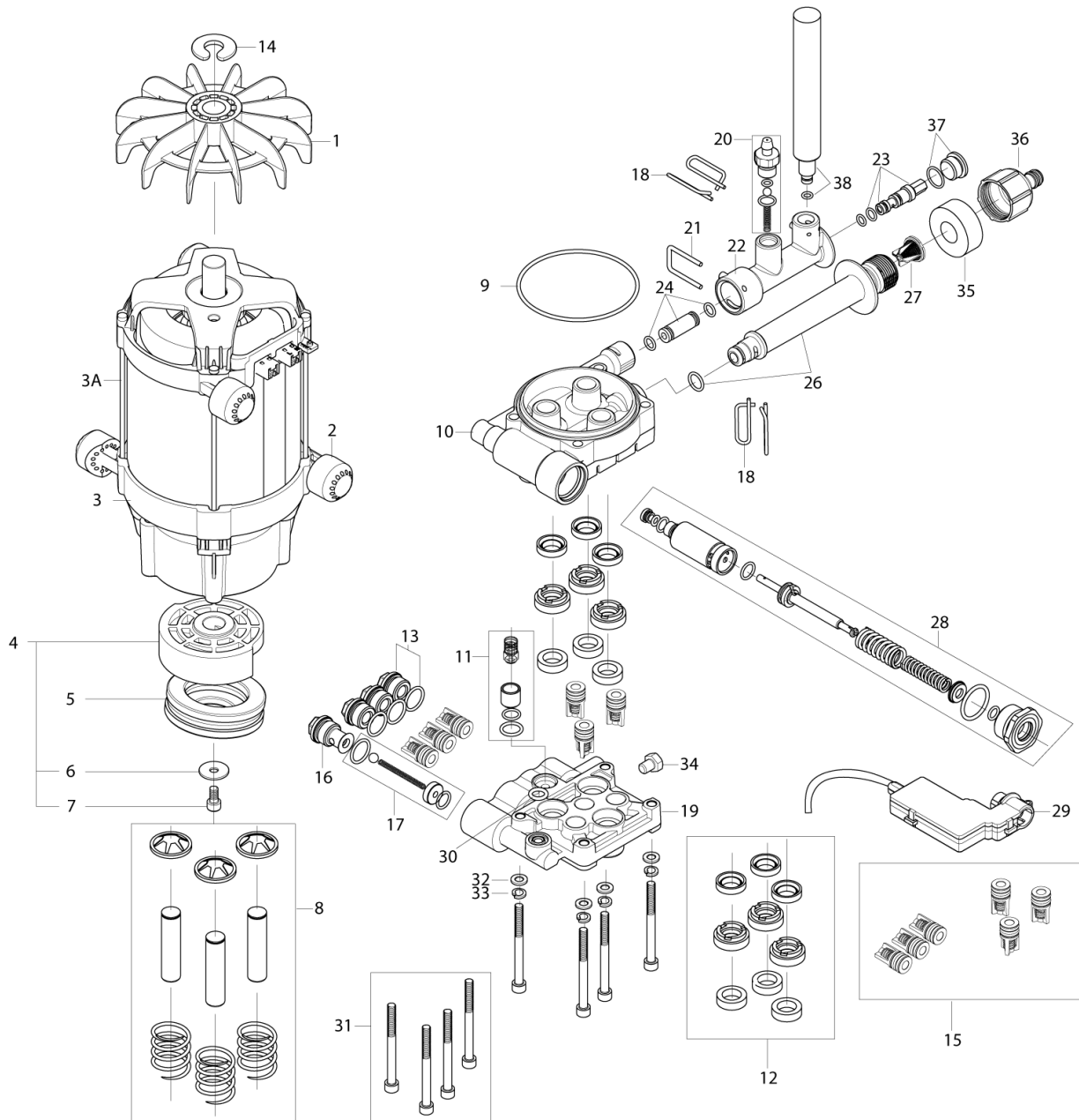
- [1] - P150.1 B
NO LONGER AVAILABLE
- [2] - P160.1 B
STOCK COVES GUARANTEE
- [3] - STOCK COVES GUARANTEE
- [4] - NO LONGER AVAILABLE



Pos.	Numer Produktu	ilość	Opis	Notes
1	127500040	1	NEW FAN	
2	128332334	3	RACK FOR MOTOR	
3	127500000	1	MOTOR 230-240V 50HZ 2.9KW	
3	127500011	1	MOTOR 230-240V 50HZ 3.3KW	[1]
3A	7180924	4	BOLEC 145 MM	
4	127500012	1	DYSK RUCHOMY 230-240V50HZ3.3KW	[2]
4	127500001	1	WOBBLE DISK 230-240V50HZ2.9KW	
5	127500002	1	OSŁONA ŁOŻYSKA	
6	127130066	1	WASHER D22XD6.4X1.5	
7	3913	1	SCREW M6X12	
8	127500003	1	ZESTAW TŁOKÓW 3-P	
9	128500289	1	O-RING 85X2.62 NR70	
10	127500004	1	GŁOWICA CYLINDRA	
11	128342004	1	ZAWÓR	
12	127500037	1	ZESTAW USZCZELNIEN	
13	127500015	3	PLUG M18X1.5 WITH O-RING	
14	127500051	1	LOCK RING	
15	127500036	1	INLET/OUTLET VALVE SYSTEM 6PCS	
16	127500005	1	EASY START PLUG	
17	127500014	1	KIT FOR EASY START	
18	126528532	1	LOCK BRACKET	
19	127500006	1	CYLINDER HEAD	
20	6528615	1	OPASKA WEŻA	
21	127500021	1	LOCK BRACKET	
22	127500022	1	OUTLET SANTDARD	[1]
23	126528656	1	WTRYSKIWACZ BORDEAUX	
24	127500007	1	REDUCTION WITH O-RING	
26	127500008	1	WATER INLET	
27	6528574	1	WATER FILTER COMPLETE	
28	127500052	1	ZAWÓR	
29	127500010	1	MICRO SWITCH BOX SYSTEM	
30	127500073	1	O-RING 9.6X2.4 NITRIL 70 SH	
31	127500071	4	SCREW M6X70 DIN 912 4PCS	
32	127500029	4	WASHER	
33	127130063	4	SPRING WASHER M6 DIN 127B	
34	127500072	1	SCREW M8	
35	126486792	1	FOAM SEAL FOR OUTLET & INLET	
36	1402809	1	SZYBKOZŁĄCZKA	

Part Notes:

- [1] - STOCK COVERS GUARANTEE
 [2] - STOCK COVES GUARANTEE



Pos.	Numer Produktu	ilość	Opis	Notes
1	127500040	1	NEW FAN	
2	128332334	4	RACK FOR MOTOR	
3	127500000	1	MOTOR 230-240V 50HZ 2.9KW	
3	127500011	1	MOTOR 230-240V 50HZ 3.3KW	[1]
3A	7180924	4	BOLEC 145 MM	
4	127500012	1	DYSK RUCHOMY 230-240V50HZ3.3KW	[2]
4	127500001	1	WOBBLE DISK 230-240V50HZ2.9KW	
5	127500002	1	OSŁONA ŁOŻYSKA	
6	127130066	1	WASHER D22XD6.4X1.5	
7	3913	1	SCREW M6X12	
8	127500003	1	ZESTAW TŁOKÓW 3-P	
9	128500289	1	O-RING 85X2.62 NR70	
10	127500004	1	GŁOWICA CYLINDRA	
11	128342004	1	ZAWÓR	
12	127500037	1	ZESTAW USZCZELNIEN	
13	127500015	3	PLUG M18X1.5 WITH O-RING	
14	127500051	1	LOCK RING	
15	127500036	1	INLET/OUTLET VALVE SYSTEM 6PCS	
16	127500005	1	EASY START PLUG	
17	127500014	1	KIT FOR EASY START	
18	126528532	4	LOCK BRACKET	
19	127500006	1	CYLINDER HEAD	
20	6528615	1	OPASKA WEŻA	
21	127500021	1	LOCK BRACKET	
22	127500023	1	OUTLET X-TRA	
23	126528656	1	WTRYSKIWACZ BORDEAUX	
24	127500007	1	REDUCTION WITH O-RING	
26	127500008	1	WATER INLET	
27	6528574	1	WATER FILTER COMPLETE	
28	127500052	1	ZAWÓR	
29	127500010	1	MICRO SWITCH BOX SYSTEM	
30	127500073	1	O-RING 9.6X2.4 NITRIL 70 SH	
31	127500071	4	SCREW M6X70 DIN 912 4PCS	
32	127500029	4	WASHER	
33	127130063	4	SPRING WASHER M6 DIN 127B	
34	127500072	1	SCREW M8	
35	126486792	1	FOAM SEAL FOR OUTLET & INLET	
36	1402809	1	SZYBKOZŁĄCZKA	
37	127500076	1	X-TRA PLUG ON OUTLET	
38	127500075	1	X-TRA HOSE	

Part Notes:

- [1] - STOCK COVERS GUARANTEE
 [2] - STOCK COVES GUARANTEE

Pos.	Numer Produktu	ilość	Opis	Notes
00	128500072	1	PISTOLET G5	[1]
01	128500084	1	WAŻ 15M SUPERFLEX	[2]
01	128500083	1	10M SUPERFLEX HOSE	
01	6528613	1	WAŻ 15 M 1 OPLÓT 3/8-QK	[3]
01	6526376	1	WAŻ KOMPLETNY 15M PRO	
01	128500082	1	WAŻ 10M SUPERFLEX	[2]
01	128500075	1	LANCA	
01	128500078	1	DYSZA TORNADO PR BRĄZOWA	
01	6528612	1	HOSE COMPL.STEELARMED DN6X15M	[4]
01	128500079	1	DYSZA POWERSPEED	
01	6520844	1	IGŁA	

Part Notes:

- [1] - See Spray handle, hoses and nozzles G5 P130 - P150 - P160 and X-TRA
- [2] - X-TRA
- [3] - ERGO
- [4] - Special

