

PARTS LIST

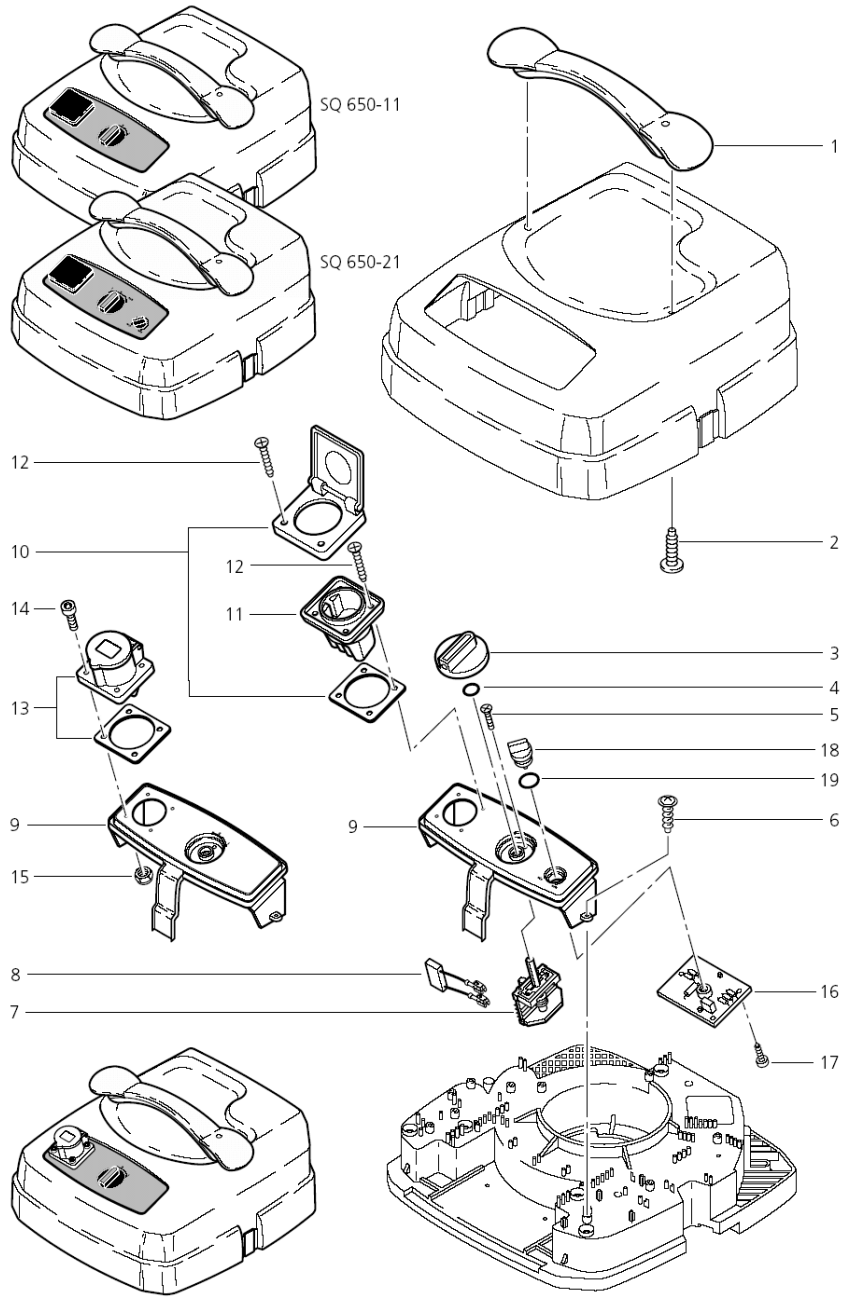


2017.04.11

TABLE OF CONTENTS

Cabinet (a).....	1
Cabinet (b).....	3
Motor.....	5
Filter.....	7
Frame.....	9
Frame 651-11.....	11
Accessories.....	13
Accessories 651-11.....	15
Accessories SQ 17gallon.....	17

SQ 650-01
SQ 650-11
SQ 650-21
SQ 651-11

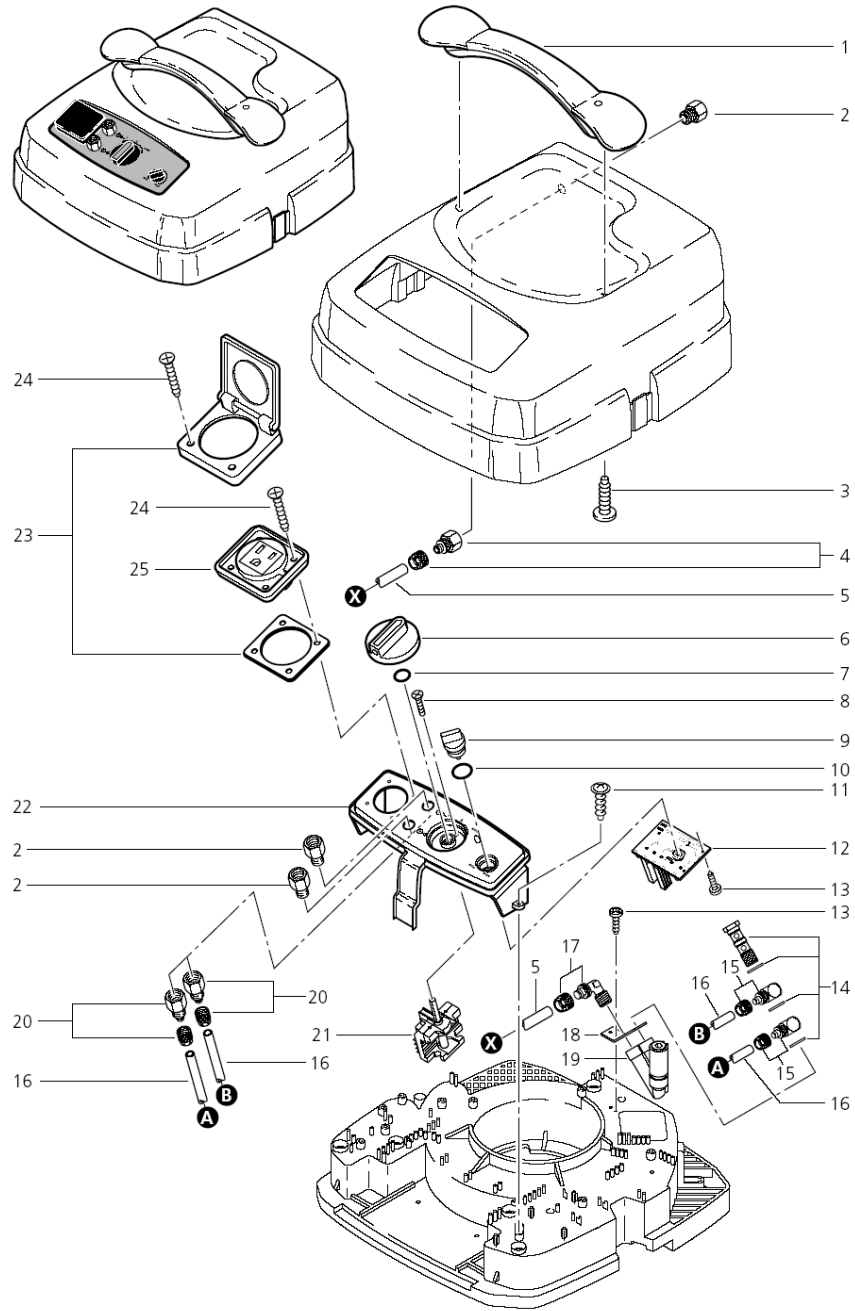


Pos.	Numer Produktu	ilość	Opis	Notes
01	26801	1	HANDLE SQ4 2-PIECE ABS	
02	10029	1	SCREW KA M5X25	
03	243611	1	TURNING KNOB	[1]
04	9868	1	O-RING 10.2X2.5 NBR 70	
05	18274	1	COUNTERSUNK SCREW M4X12	
06	11254	1	SCREW 3.5X10 WN1411	
07	107402617	1	ROTARY SWITCH KIT	[2]
07	48728	1	SWITCH 16A 250V 4 POLE	[3]
08	48338	1	ANTI-INTERFERENCE CAPACITOR	[2]
09	65198	1	CONTROL PANEL	[4]
09	65197	1	CONTROL PANEL	[5]
09	65203	1	SWITCH BOX	[6]
10	107402628	1	COVER CHASSIS KIT	
11	48278	1	SOCKET GB	[7]
11	46296	1	PLUG SOCKET 10/16A CEE7/II	[8]
11	48287	1	PLUG SOCKET 2P+PE -CH	[9]
12	46248	1	SCREW EJOT- KA35X18 WN	[9]
13	107402842	1	OUTLET 2P AND PE 16A 110V	[10]
16	107401360	1	AUTOMATIC ON/OFF SYS 2 KIT	
17	4036	1	SHEET METAL SCREW 2.9X9	[3]
18	43694	1	TURNING KNOB SQ/SR BLACK POM	[11]
19	107400576	1	O-RING 21X1.5	

Part Notes:

- [1] - VERSION 050799
- [2] - SQ 650-01, SQ 650-11, SQ 651-11
- [3] - SQ 650-21
- [4] - SQ 650-21, VERSION 050799
GUARANTEE DATE EXPIRED
- [5] - SQ 650-11, SQ 651-11, VERSION 050799
GUARANTEE DATE EXPIRED
- [6] - SQ 650-01, VERSION 050799
GUARANTEE DATE EXPIRED
- [7] - *GB,230 V*
- [8] - *EU*
- [9] - STOCK COVERS GUARANTEE
- [10] - SQ 650-11*GB,110V*
- [11] - SQ 650-21
GUARANTEE DATE EXPIRED

SQ17Gallon
ASPEZ

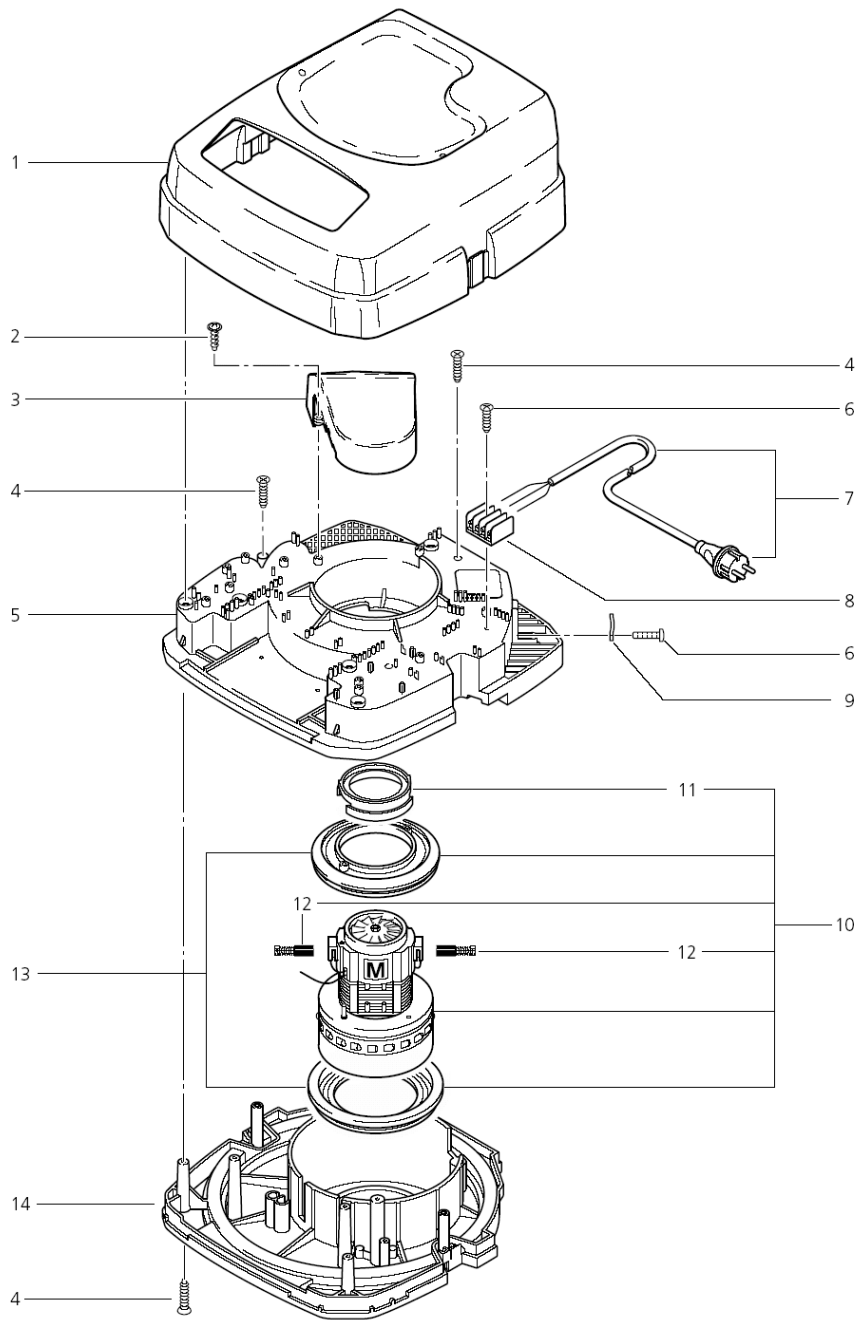


Pos.	Numer Produktu	ilość	Opis	Notes
01	26801	1	HANDLE SQ4 2-PIECE ABS	
02	25437	1	NIPPLE G1/4-R1/4	
03	10029	1	SCREW KA M5X25	
04	25434	1	FITTING	[1]
05	25435	1	HOSE	[2]
06	243611	1	TURNING KNOB	
07	9868	1	O-RING 10.2X2.5 NBR 70	
08	18274	1	COUNTERSUNK SCREW M4X12	
09	43694	1	TURNING KNOB SQ/SR BLACK POM	[2]
10	107400576	1	O-RING 21X1.5	
11	11254	1	SCREW 3.5X10 WN1411	
12	25999	1	AUTOMATIC ON/OFF SYSTEM 1	[2]
13	4036	1	SHEET METAL SCREW 2.9X9	
14	25441	1	HOLLOW SCREW G1/4 SHORT INCL 3 ORINGS	[2]
15	25440	1	SCREW IN CONNECTION 8/6-1/4 CUZN	[2]
16	25439	1	HOSE	[3]
17	25436	1	ANGULAR SCREW CONNECTION 10/8-1/4K MS	[2]
18	61272	1		
19	107402622	1	FLOW VALVE KIT FOR AIRBOX	
20	25438	1	STRAIGHT SCREW CONNECTION 8/6-1/4 MS	[2]
21	48728	1	SWITCH 16A 250V 4 POLE	
22	60449	1	CONTROL PANEL	[4]
22	65199	1	SWITCH BOX	[2]
22	60448	1	LABEL	[2]
23	107402628	1	COVER CHASSIS KIT	
24	46248	1	SCREW EJOT- KA35X18 WN	[3]
25	49267	1	PLUG SOCKET USA/CND	[2]

Part Notes:

- [1] - Machine outphased 2005
- [2] - GUARANTEE DATE EXPIRED
- [3] - STOCK COVERS GUARANTEE
- [4] - VERSION 050799
GUARANTEE DATE EXPIRED

SQ650-01
SQ650-11
SQ650-21
SQ651-11
SQ 17 Gallon
ASPE2

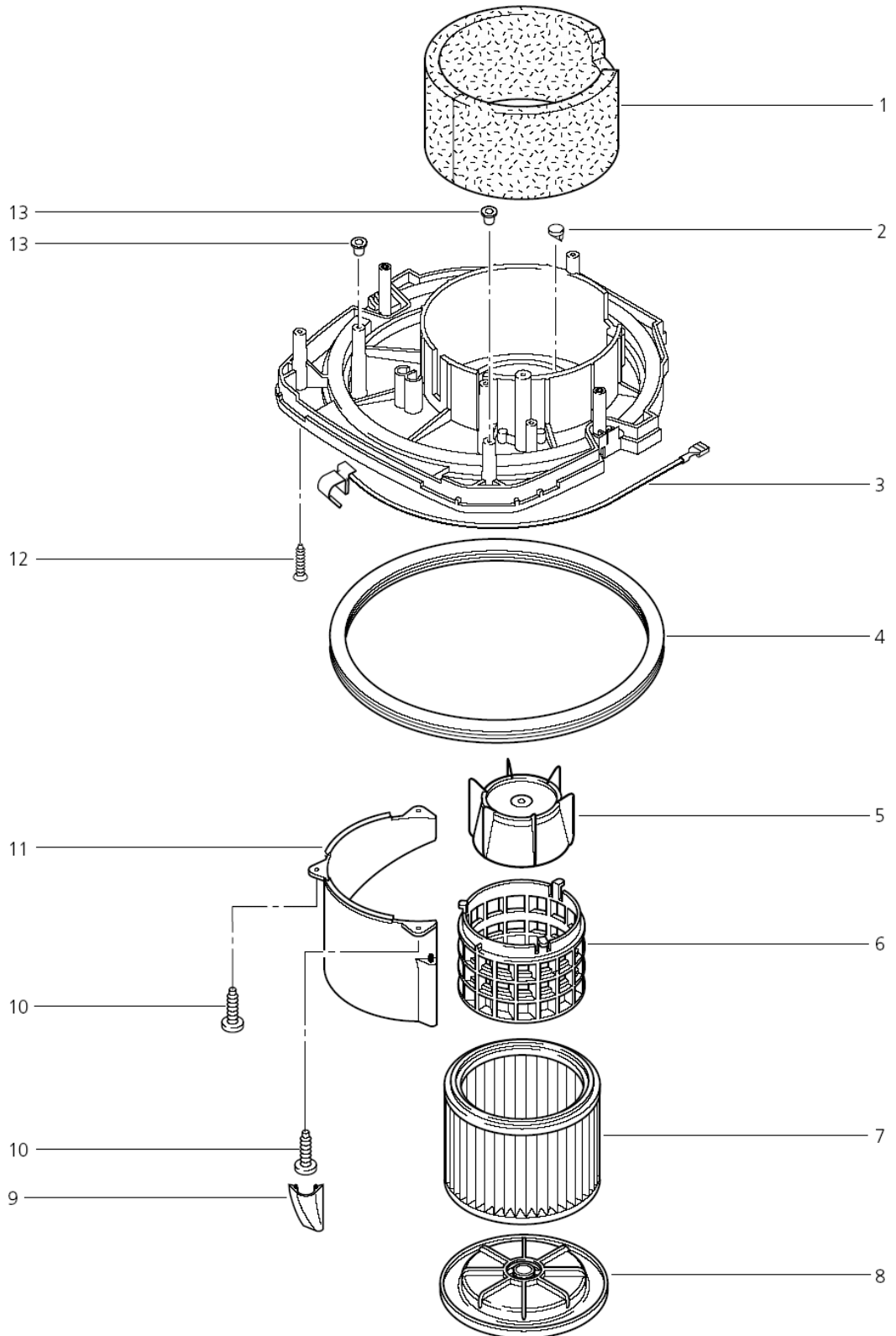


Pos.	Numer Produktu	ilość	Opis	Notes
01	26803	1	SHROUD	[1]
02	24738	1	SCREW KA35X 8 WN1411	
03	25700	1	AIR DIVERTER	[2]
04	11253	1	SCREW 5X20 WN1413	
05	44240	1	CLAMPING PLATE	[2]
06	11256	1	SCREW 3.5X18	
07	14885	1	POW CABLE H07RN-F 3X1.5X7.5 CEE7 VIII/AEH	[3]
07	62016	1	POWER CORD H07BQ-F 3G2.5X7.5	[4]
07	60285	1	CABLE SJTW-A AWG16/3 6.7 NEMA 5-15P	[5]
07	60442	1	WIRE NET H07RN-F 3G1.0X 7.5 SEV 12 /AEH	[6]
07	107400270	1	CORD H05RR-F 3G1.5 BS1 363 GB	[7]
07	62502	1	LTG NETZ SJTW 2XAWG16X6,7 NEMA 1-15	[8]
08	48421	1	TERMINAL STRIP	
09	5697	1	STRAP 3X8X33	
10	49594	1	TURBINA 220V	[9]
10	26783	1	MOTOR 100V 1200W	[10]
10	26785	1	MOTOR 120V 1000W	[11]
11	47036	1	COLLAR	
11	47035	1	COLLAR 55 SHORE A EPDM	[12]
12	26775	1	CARBON BRUSH SET L	
12	49625	1	SZCZOTKI WĘGLOWE C	[13]
12	26774	1	CARBON BRUSH SET M	
13	28875	1	RING	[14]
13	42538	1	MOTOR BEARING 2 PCS	[15]
14	44239	1	CARRIER PLATE	[2]

Part Notes:

- [1] - STOCK COVERS GUARANTEE
- [2] - GUARANTEE DATE EXPIRED
- [3] - *EU*
- [4] - SQ 650-11*GB,110V*
GUARANTEE DATE EXPIRED
- [5] - SQ 17 GALLON AS/PE2*US*
GUARANTEE DATE EXPIRED
- [6] - *CH*
GUARANTEE DATE EXPIRED
- [7] - *GB,230V*
- [8] - *JP*
- [9] - 230V / 1200W 220 - 240 V, 1200 W
PLEASE CONTACT CARWASH DIRECTLY
- [10] - 100V 1200W
- [11] - 120V 1000W
- [12] - SQ 17 GALLON AS/PE2
- [13] - PLEASE CONTACT CARWASH DIRECTLY
- [14] - M & L
- [15] - C

SQ650-01
SQ650-11
SQ650-21
SQ651-11
SQ 17 Gallon
AS/PE2



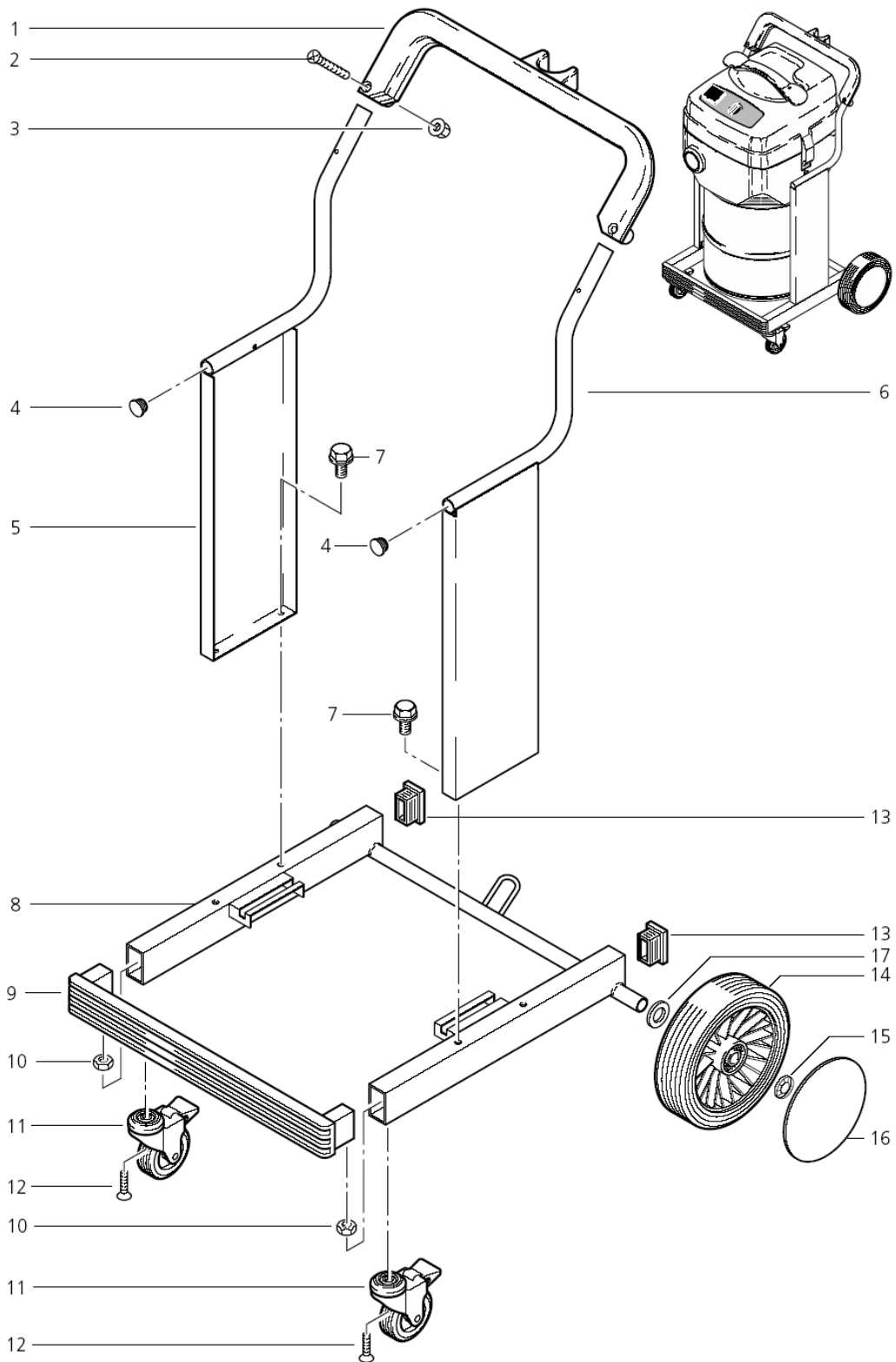
Pos.	Numer Produktu	ilość	Opis	Notes
01	47014	1	INSULATING MAT 660X120X20	[1]
02	46640	1	WASHER	[2]
03	26792	1	SPRING CONTACT WITH CABLE	[2]
04	11222	1	PACKING RING 353X377X14 CR	
05	11835	1	FLOAT	[2]
06	46418	1	FILTER SUPPORTING BASKET	[1]
07	11753	1	WKŁAD FILTRA Ø185X140	
07	29747	1	WKŁAD FILTRA	[3]
08	11762	1	FILTER TENSIONER WASHER Ø190X29	
08	29753	1	FRICTION WASHER Ø190X39	[4]
09	47025	1	COVERING	[2]
10	11565	1	SCREW 5X18 WN1411	
11	45692	1	DEFLECTOR	[1]
12	11253	1	SCREW 5X20 WN1413	
13	48414	1	PLUG 5.5X8X0.8X6.5	[1]

Part Notes:

- [1] - STOCK COVERS GUARANTEE
- [2] - GUARANTEE DATE EXPIRED
- [3] - SQ 650-01, SQ 17 GALLON AS/PE2
- [4] - SQ 650-01, SQ 17 GALLON AS/PE2
STOCK COVERS GUARANTEE

SQ650-01
SQ650-11
SQ650-21

SQ17Gallon
ASPEZ

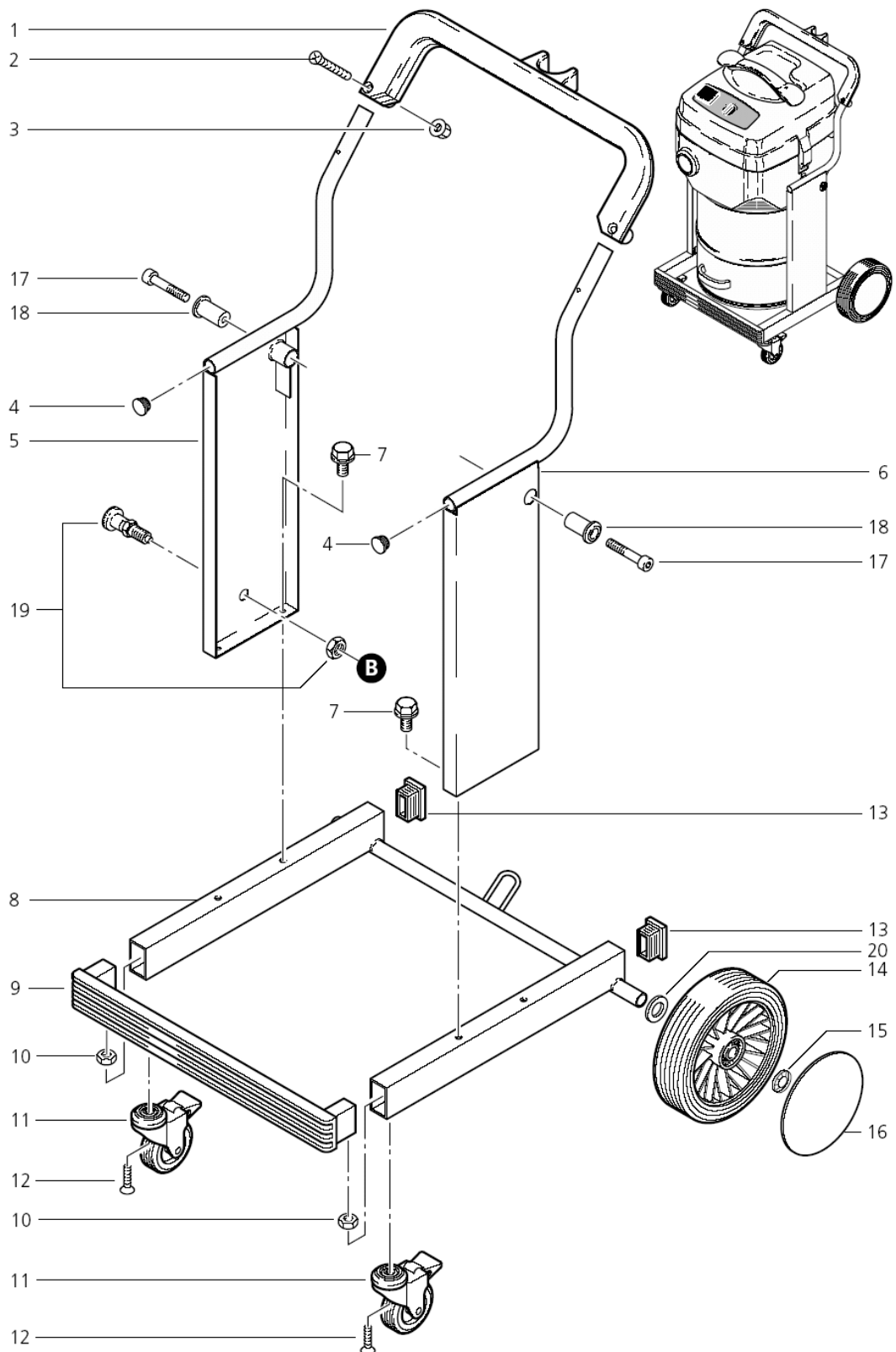


Pos.	Numer Produktu	ilość	Opis	Notes
01	46134	1	HANDLEBAR PA6	
02	17737	1	SCREW M6X40 ISO 7046	
03	12496	1	HEXAGON NUT M6	
04	60767	1	PLUG	[1]
05	65267	1	MIX+D20888E SQ650 RIGHT BLA	[1]
05	60746	1	BLIND SQ650 RIGHT PRINTING MELON YELLOW	[2]
06	65266	1	METAL SHEET	[3]
07	60771	1	HEXAGON HEAD CAP SCREW	[4]
08	60741	1	MAIN FRAME	[1]
09	46301	1	SCREEN	
11	11474	1	GUIDE ROLLER Ø75 W/BRAKE AND CLAMP	
12	30738	1	SCREW M8X30 ISO 10642	[1]
13	7895	1	CAP	[1]
14	48647	1	WHEEL	[4]
15	47302	1	CLAMPING RING 28.6 20	
16	65213	1	HUB CAP - BLUE	[3]

Part Notes:

- [1] - GUARANTEE DATE EXPIRED
- [2] - VERSION 050799
outphased
- [3] - VERSION 050799
GUARANTEE DATE EXPIRED
- [4] - STOCK COVERS GUARANTEE

SQ651-11

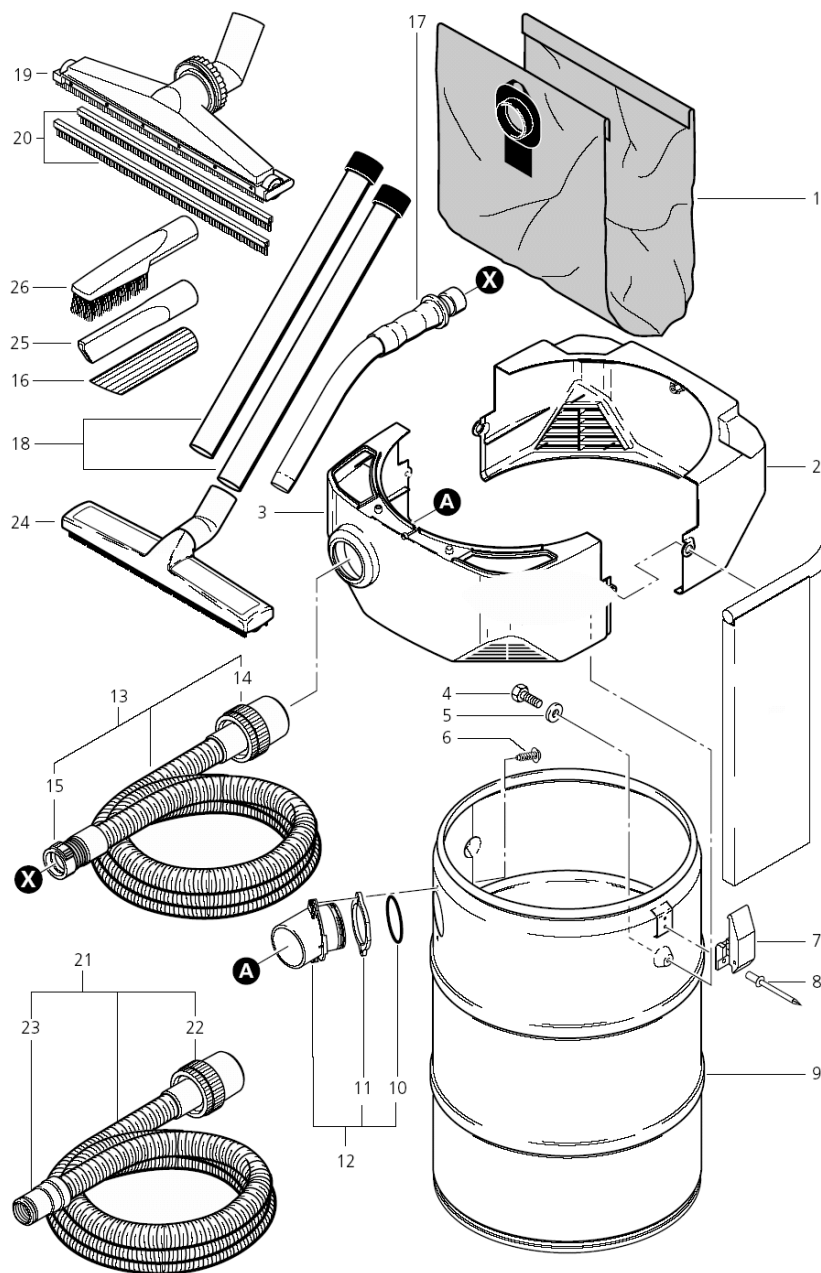


Pos.	Numer Produktu	ilość	Opis	Notes
01	46134	1	HANDLEBAR PA6	
02	17737	1	SCREW M6X40 ISO 7046	
03	12496	1	HEXAGON NUT M6	
04	60767	1	PLUG	[1]
05	65224	1	COVER SQ651 RIGHT -WAP TE	[2]
05	65266	1	METAL SHEET	[3]
06	65212	1	COVER SQ651 LEFTWap Techn."	
06	65267	1	MIX+D20888E SQ650 RIGHT BLA	[3]
07	60771	1	HEXAGON HEAD CAP SCREW	[4]
08	302000208	1	BASE FRAME	[1]
09	46301	1	SCREEN	
11	11474	1	GUIDE ROLLER Ø75 W/BRAKE AND CLAMP	
12	30738	1	SCREW M8X30 ISO 10642	[1]
13	7895	1	CAP	[1]
14	48647	1	WHEEL	[4]
15	47302	1	CLAMPING RING 28.6 20	
16	65213	1	HUB CAP - BLUE	[3]
18	60766	1	BUSHING	[1]
19	60836	1	STUD	[1]

Part Notes:

- [1] - GUARANTEE DATE EXPIRED
- [2] - CLOSED BY VENDOR
- [3] - VERSION 050799
GUARANTEE DATE EXPIRED
- [4] - STOCK COVERS GUARANTEE

SQ650-01
 SQ650-11
 SQ650-21

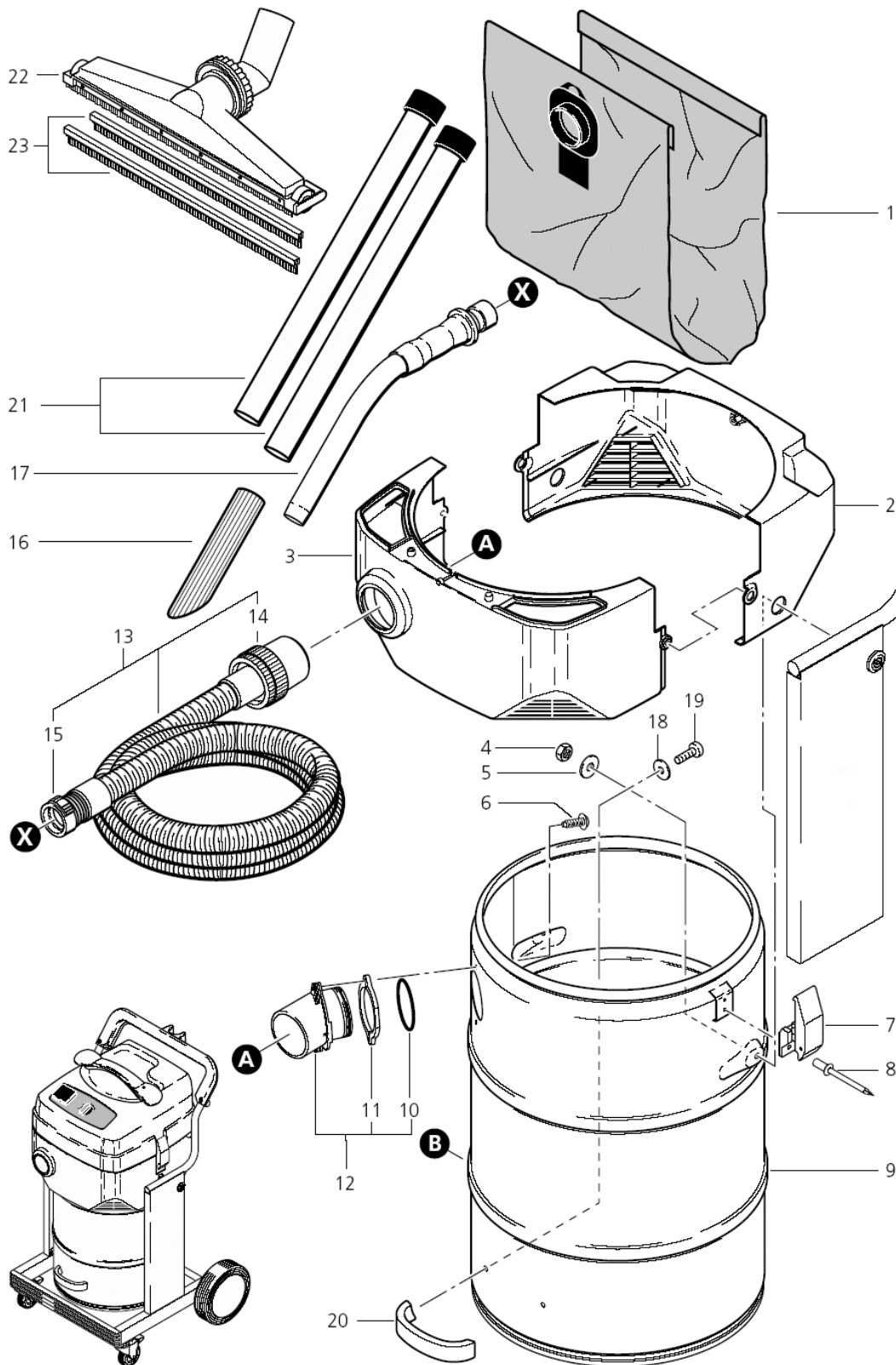


Pos.	Numer Produktu	ilość	Opis	Notes
01	47429	1	FILTER BAG SQ6 5 PCS	[1]
02	60737	1	BELT REAR SQ6 RAL9005	[2]
03	60738	1	BELT FRONT SQ6 RAL9005	[2]
06	11565	1	SCREW 5X18 WN1411	
07	19880	1	KLAMRA	
08	11691	1	BLIND RIVET 4X10X8	
09	60739	1	CONTAINMENT SHELL	[2]
10	29191	1	PACKING RING 60.2X64.2X2.	[2]
11	46223	1	RING	[2]
12	60059	1	FITTING Ø 50	[3]
13	25537	1	WAŻ SSACY Ø36X4000MM	[4]
13	46948	1	WAŻ ELAST.D36X3000MM ZE ZŁĄCZAMI	[5]
14	15102	1	MUFA Ø36/50	[6]
15	46690	1	MUFA Ø36	[6]
16	5067	1	SSAWA SZCZELINOWA Ø 36 mm 190 mm	
17	46691	1	UCHWYT ZAKRZYWIONY D36MM SS	
18	107408074	1	RURA STAL NIERDZ Ø 36 500MM, 2 SZT	
19	5149	1	SSAWA PODŁOGOWA D36X400 S/M	
20	6114	1	RUBBER STRIP SET FOR 5149 RUBBER 50SH	
21	107406091	1	HOSE D27X3500 AS WITH TOOL ADAPTER	[7]
22	15369	1	MUFA	[7]
23	107404520	1	ADAPTER Ø27/36	[7]
24	60356	1	SSAWA SUCHO/MOKRO 360 MM Ø36	
25	6084	1	SSAWA SZCZELINOWA D36X300 PP	
26	6086	1	SSAWA Z WŁOSIEM D36X230 PP/PA	

Part Notes:

- [1] - VERSION 050799
- [2] - GUARANTEE DATE EXPIRED
- [3] - VERSION 050799
GUARANTEE DATE EXPIRED
- [4] - SQ 650-11
- [5] - SQ 650-01
- [6] - SQ 650-01, SQ 650-11
- [7] - SQ 650-21

SQ651-11

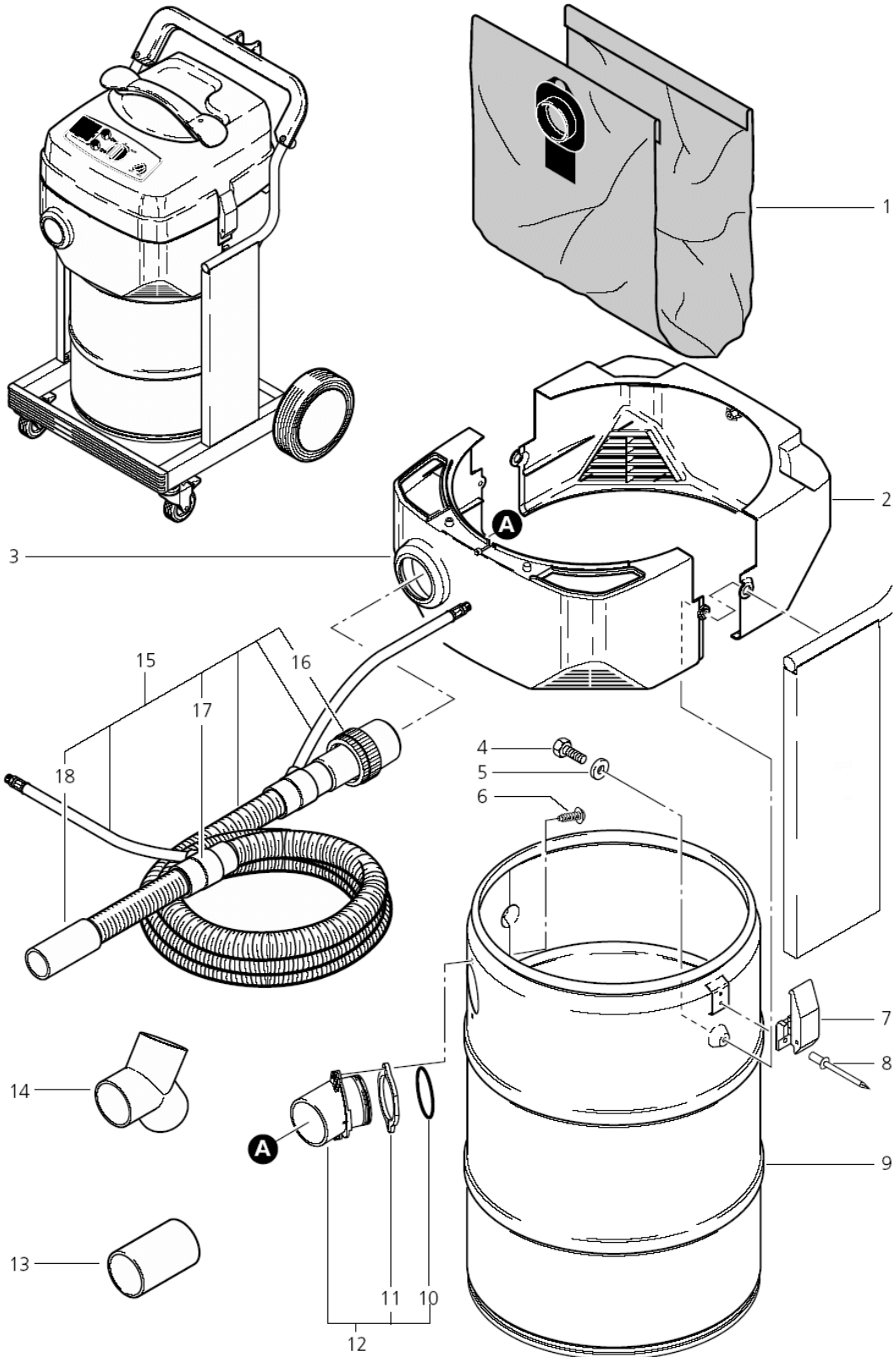


Pos.	Numer Produktu	ilość	Opis	Notes
01	47429	1	FILTER BAG SQ6 5 PCS	[1]
02	60737	1	BELT REAR SQ6 RAL9005	[2]
03	60738	1	BELT FRONT SQ6 RAL9005	[2]
06	11565	1	SCREW 5X18 WN1411	
07	19880	1	KLAMRA	
08	11691	1	BLIND RIVET 4X10X8	
09	60740	1	CONTAINER	[2]
10	29191	1	PACKING RING 60.2X64.2X2.	[2]
11	46223	1	RING	[2]
12	60059	1	FITTING Ø 50	[3]
13	25537	1	WAŻ SSĄCY Ø36X4000MM	
14	15102	1	MUFA Ø36/50	
15	46690	1	MUFA Ø36	
16	5067	1	SSAWA SZCZELINOWA Ø 36 mm 190 mm	
17	46691	1	UCHWYT ZAKRZYWIONY D36MM SS	
18	14805	1	WASHER 6.4X1.6 x 18 A ISO 7093-1 VA	
19	14664	1	RAISED DOME HEAD SCREW M6X12 DIN 7985 A2	
20	14663	1	BOW-TYPE HANDLE M6 TURBO-D	
21	107408074	1	RURA STAL NIERDZ Ø 36 500MM, 2 SZT	
22	5149	1	SSAWA PODŁOGOWA D36X400 S/M	
23	6114	1	RUBBER STRIP SET FOR 5149 RUBBER 50SH	

Part Notes:

- [1] - VERSION 050799
- [2] - GUARANTEE DATE EXPIRED
- [3] - VERSION 050799
GUARANTEE DATE EXPIRED

SQ 17Gallon
AS/PE2



Pos.	Numer Produktu	ilość	Opis	Notes
01	47429	1	FILTER BAG SQ6 5 PCS	[1]
02	60737	1	BELT REAR SQ6 RAL9005	[2]
03	60738	1	BELT FRONT SQ6 RAL9005	[2]
06	11565	1	SCREW 5X18 WN1411	
07	19880	1	KLAMRA	
08	11691	1	BLIND RIVET 4X10X8	
09	60739	1	CONTAINMENT SHELL	[2]
10	29191	1	PACKING RING 60.2X64.2X2.	[2]
11	46223	1	RING	[2]
12	60059	1	FITTING Ø 50	[3]
13	15953	1	ZŁĄCZE Ø50 AS	
14	15331	1	TRÓJNIK	
15	26601	1	COAXIAL SUCTION HOSE D32	[4]
16	30928	1	HOSE SLEEVE Ø32/50 AS	
17	26309	1	HOSE SLEEVE DN32	[5]
18	26309	1	HOSE SLEEVE DN32	[5]

Part Notes:

- [1] - VERSION 050799
- [2] - GUARANTEE DATE EXPIRED
- [3] - VERSION 050799
GUARANTEE DATE EXPIRED
- [4] - PRUNED - NO REPLACEMENT
- [5] - STOCK COVERS GUARANTEE

