

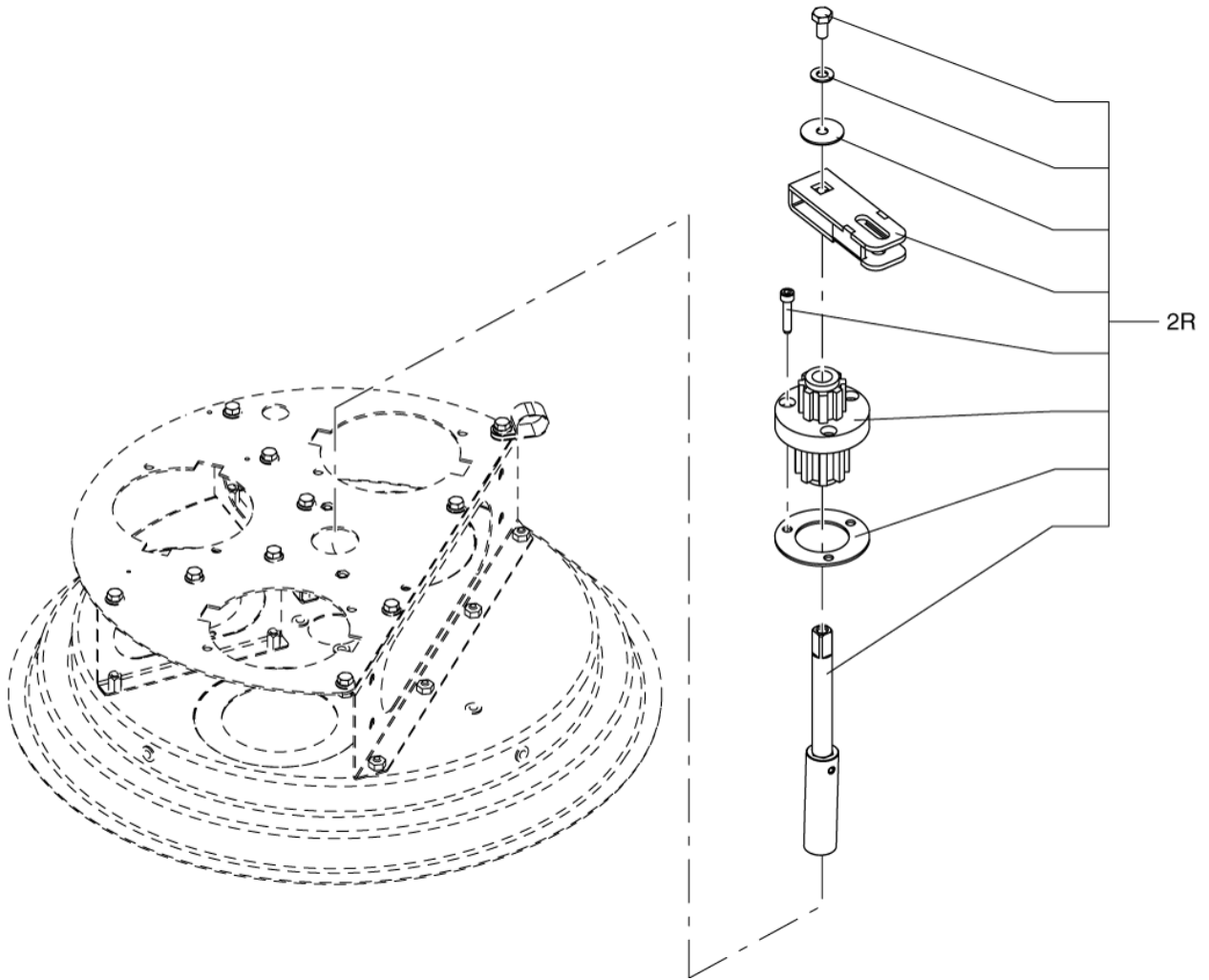
PARTS LIST



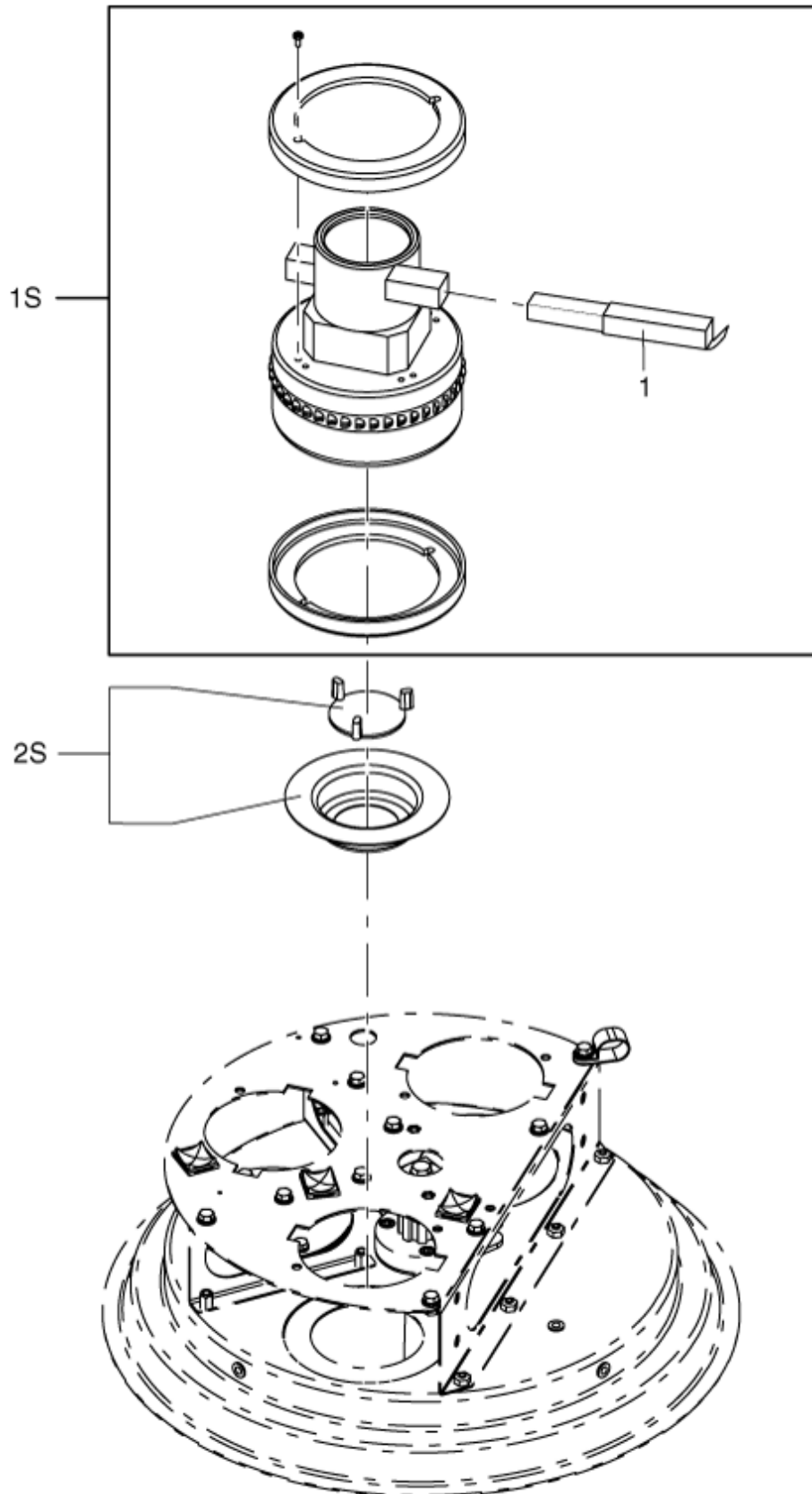
2017.08.04

TABLE OF CONTENTS

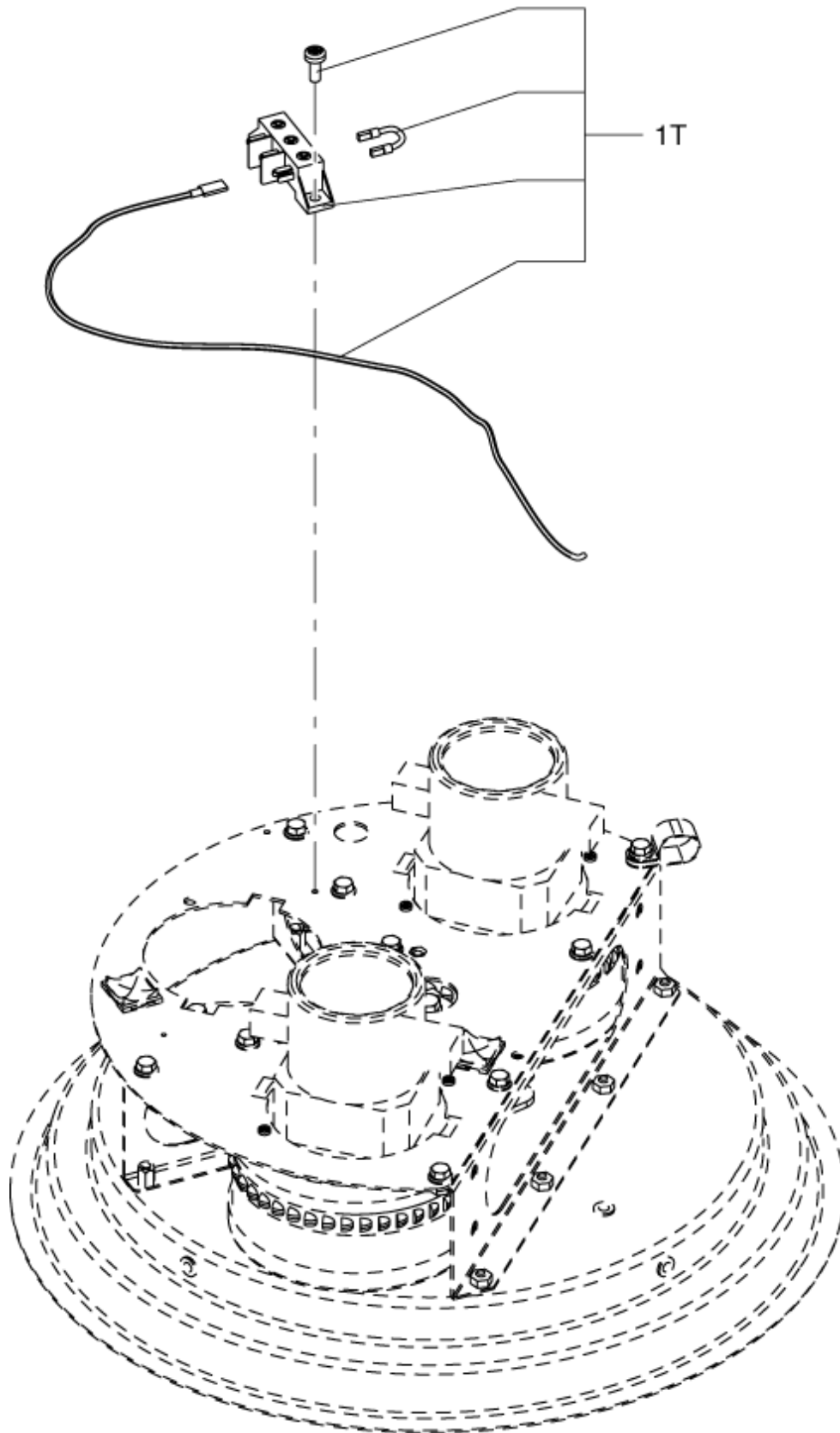
Suction unit 03	1
Suction unit 04	3
Suction unit 05	5
Suction unit 06	7
Suction unit 07	9
Suction unit 08	11
Suction unit 09	13
Suction unit 10	15
Liquid kit	17
Cyclon kit	19
Filter group	21
Absolute filter	23
Suction unit 01	25
Suction unit 02	27
Car 01	29
Car 02	31
Car 03 (mod. L)	33
Car 04	35
Container unit	37
Car 03 (mod. M)	39
OPTIONALS	41



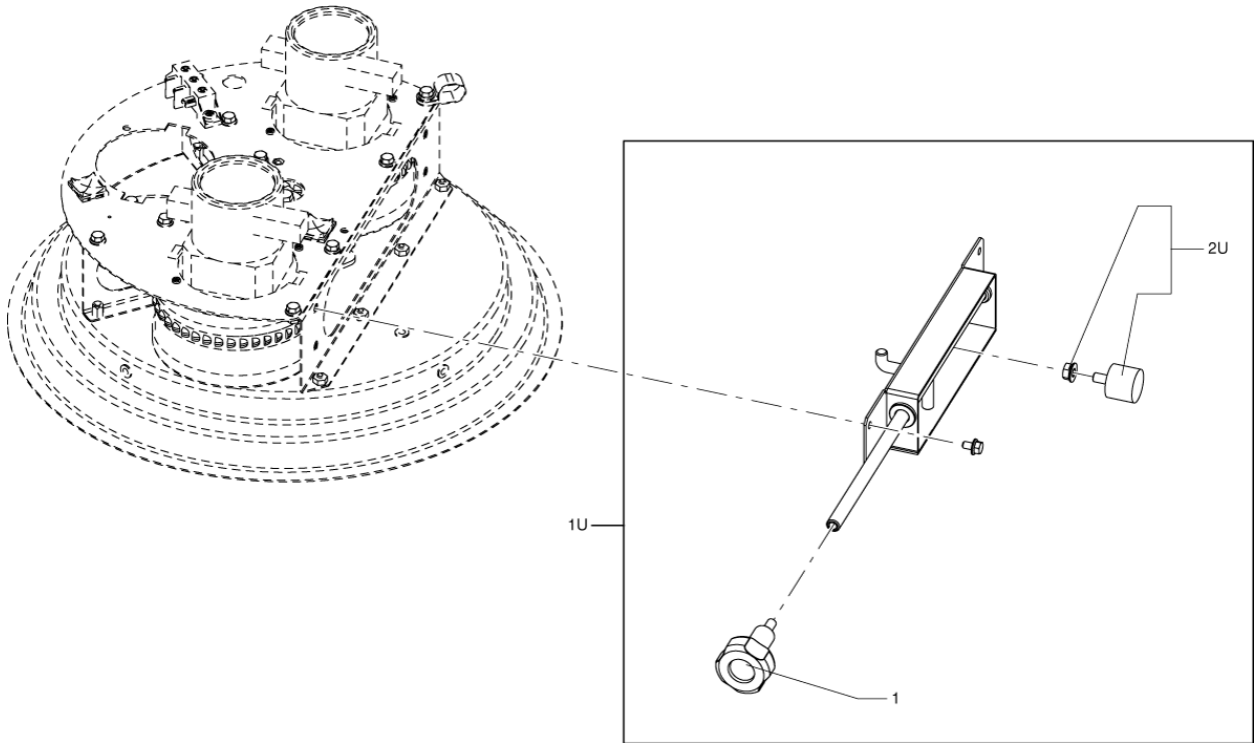
Pos.	Numer Produktu	ilość	Opis	Notes
02R	40000900	1	FILTERSHAKER DEVICE KIT	



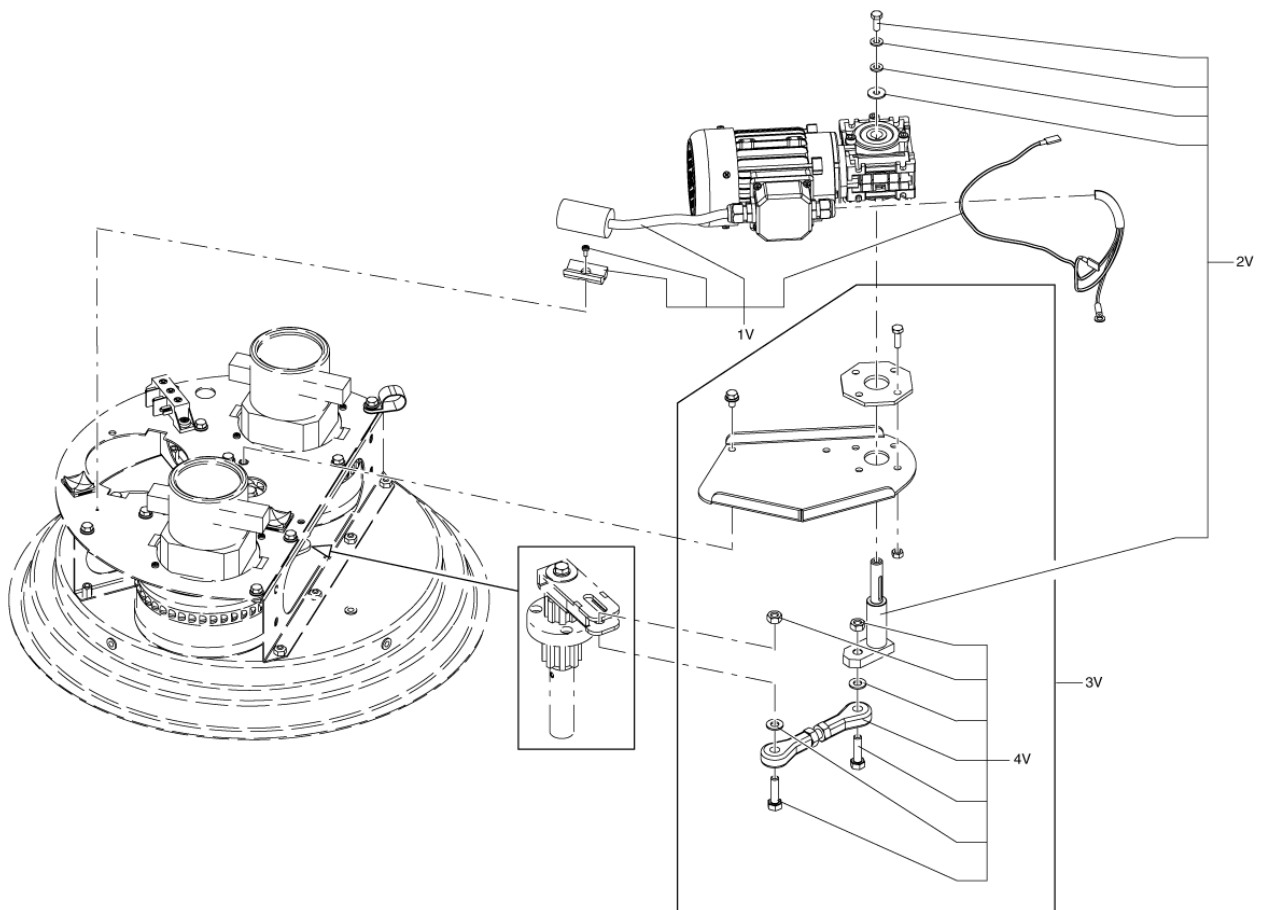
Pos.	Numer Produktu	ilość	Opis	Notes
01	40000885	1	MOTOR BRUSH KIT V230	
01	40000886	1	MOTOR BRUSH KIT V120	
01S	40000937	1	SILNIK KPL. V230	
01S	40000938	1	MOTOR KIT V110 UK	
02S	40000902	1	BUTTERFLY VALVE KIT	



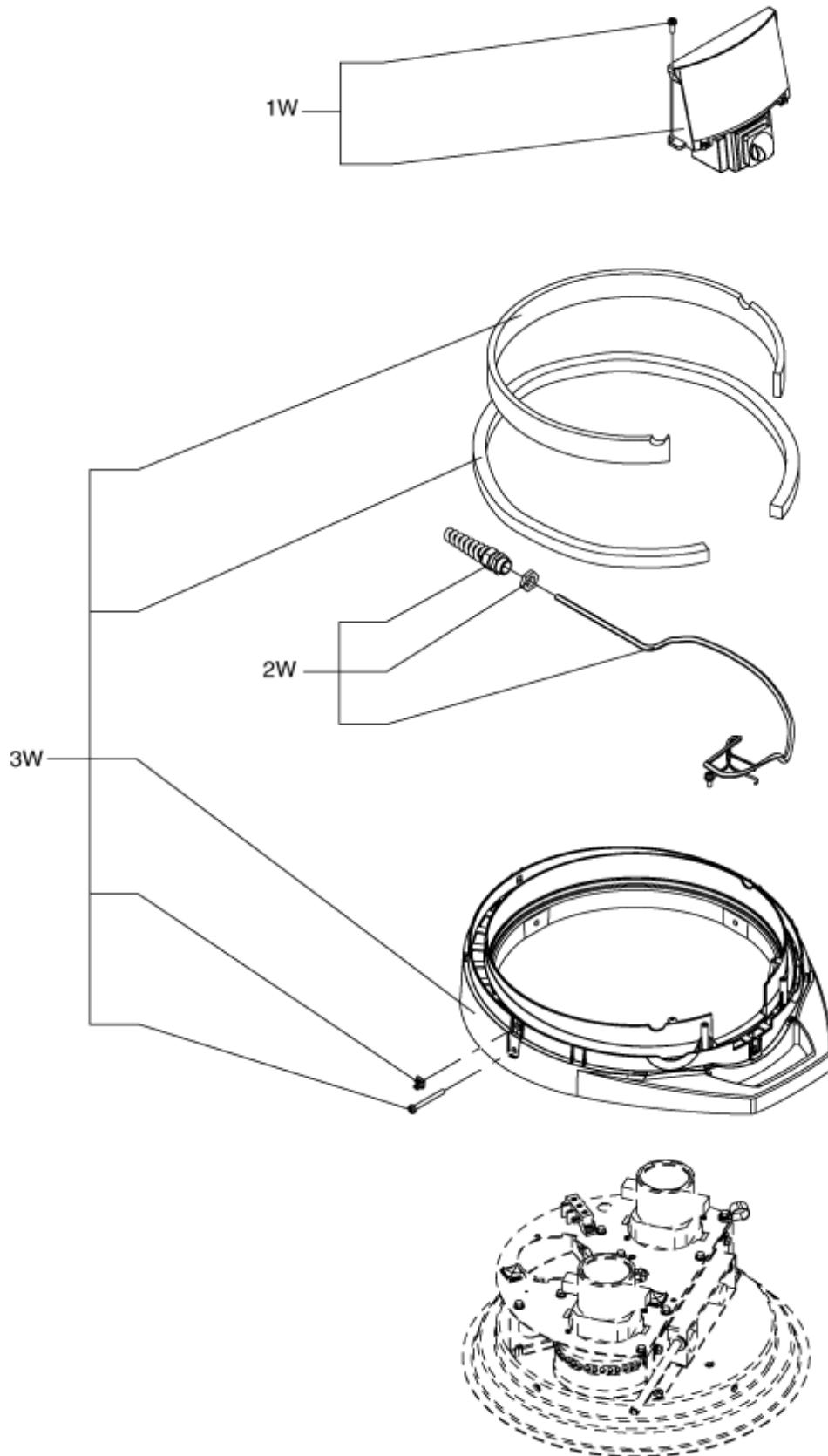
Pos.	Numer Produktu	ilość	Opis	Notes
01T	40000905	1	CABLE KIT FOR MOTORHEAD	



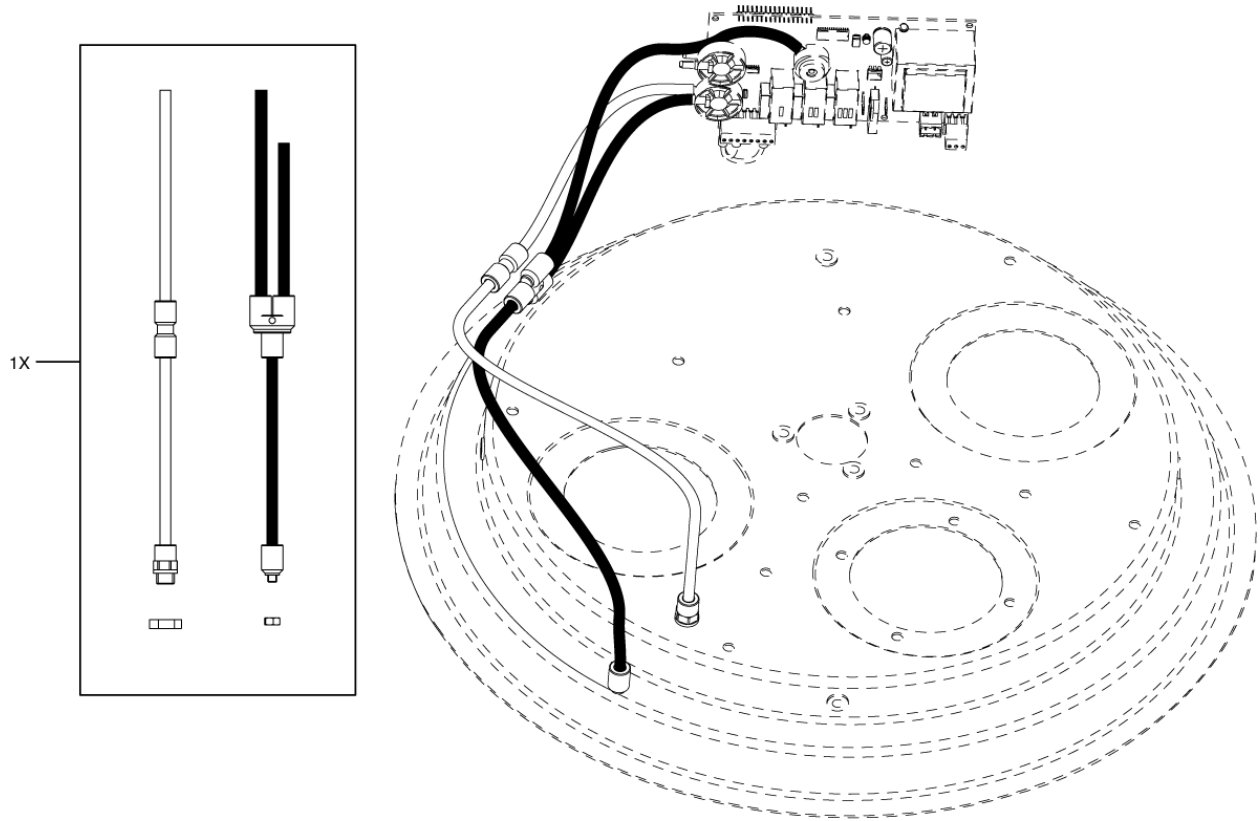
Pos.	Numer Produktu	ilość	Opis	Notes
01	4084001012	1	FILTER SHAKER KNOB M8 MOD.S2-S3	
01U	40000906	1	FILTERSHAKER KIT	
02U	40000907	1	PUFFER KIT	



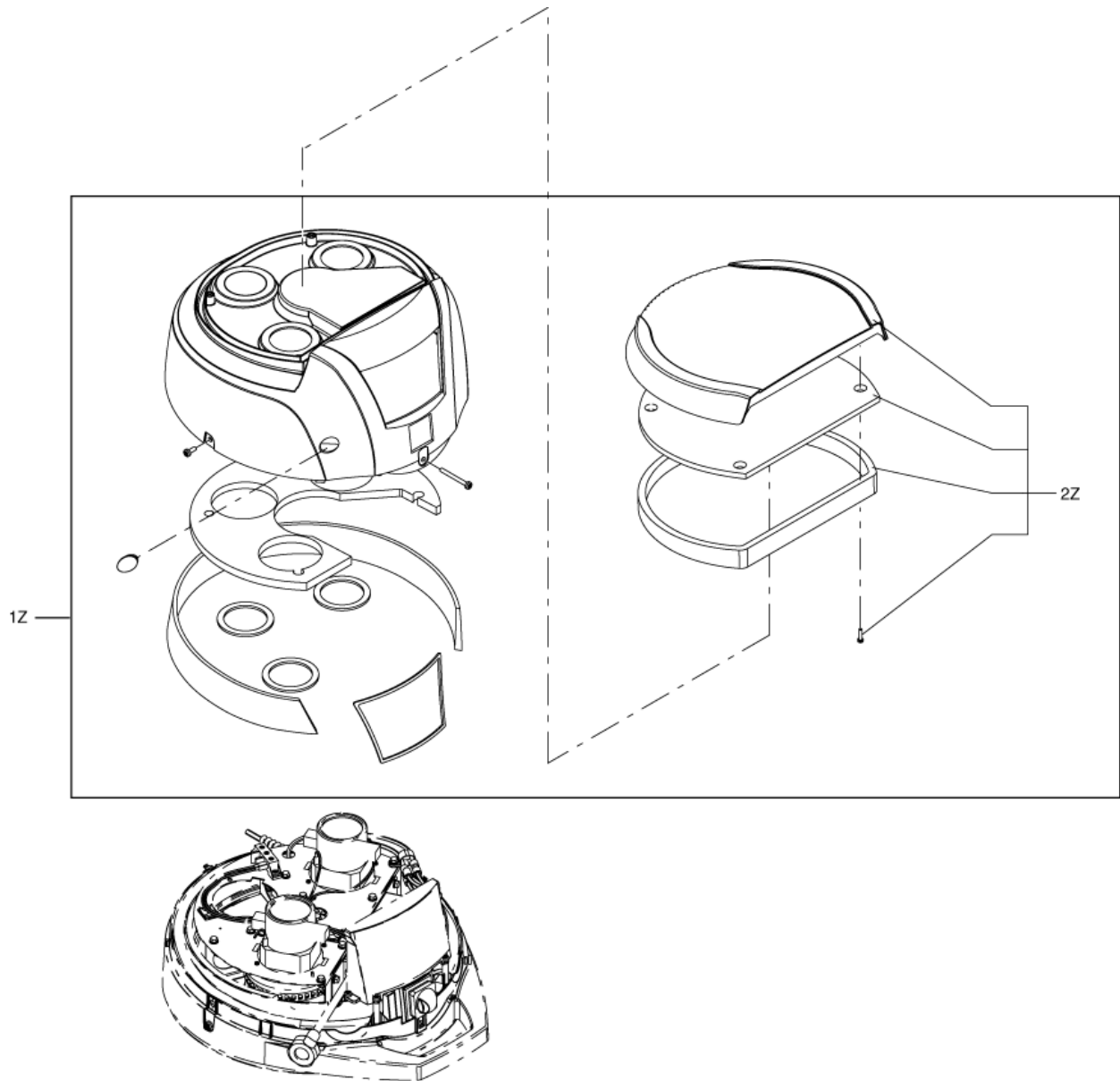
Pos.	Numer Produktu	ilość	Opis	Notes
01V	4085600142	1	MOTORREDUCERXSE D460 S2-S3	
01V	4085600143	1	MOTOR RED.SE D460 M.S2-S3V110 UK	
02V	40000920	1	GEARMOTOR SHAFT KIT	
03V	40000918	1	GEARMOTOR FIXING KIT	
04V	40000919	1	FILTERSHAKER JOINT KIT	



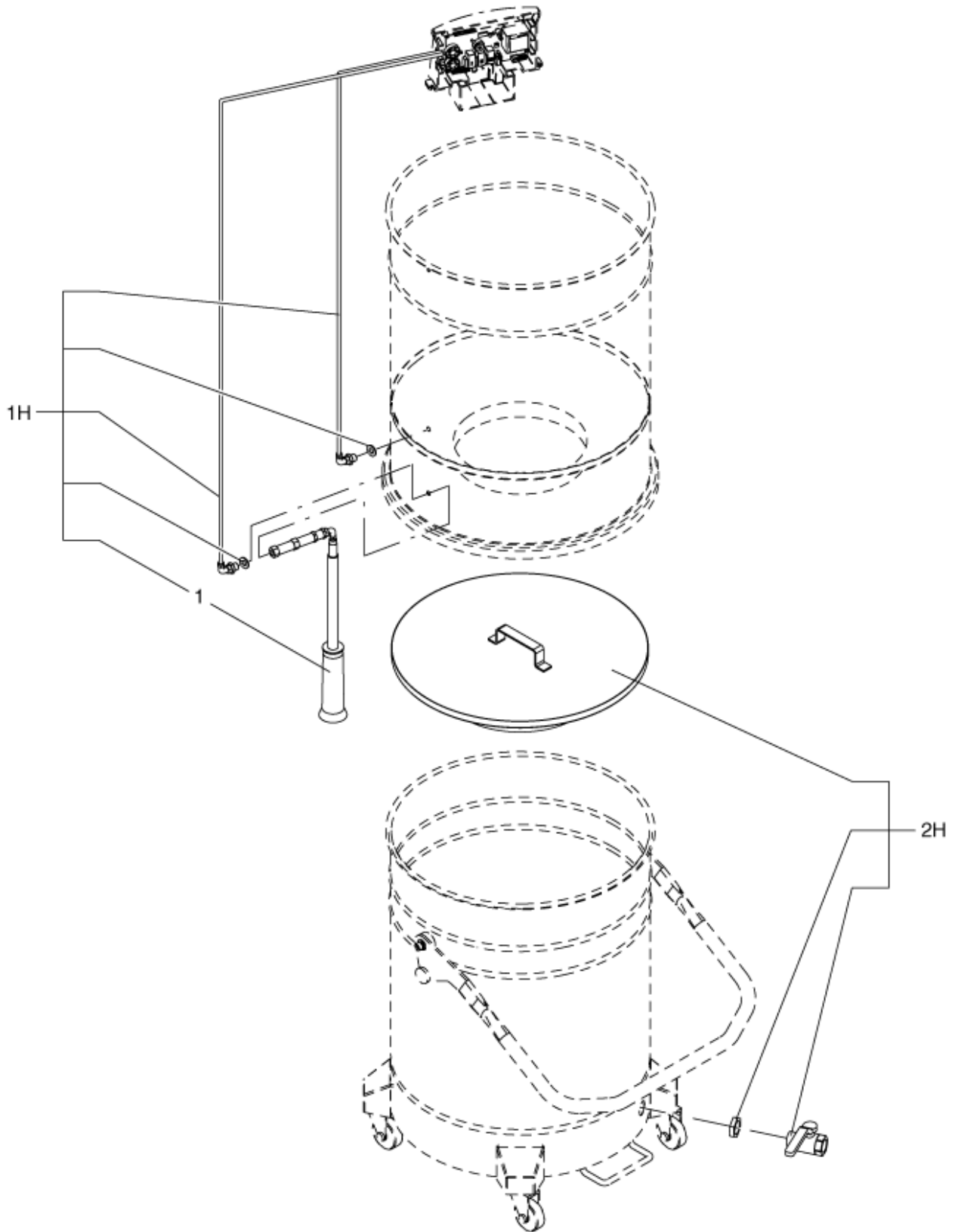
Pos.	Numer Produktu	ilość	Opis	Notes
01W	40000922	1	KEYBOARD KIT 3 MOTORS 110V UK	
01W	40000921	1	KEYBOARD KIT 3 MOTORS 230V	
02W	40000913	1	CABLE KIT V230 UK	
02W	40000909	1	CABLE KIT V230 EU	
02W	40000910	1	S2B CABLE KIT V110 UK	
03W	40000908	1	DIFFUSER KIT	



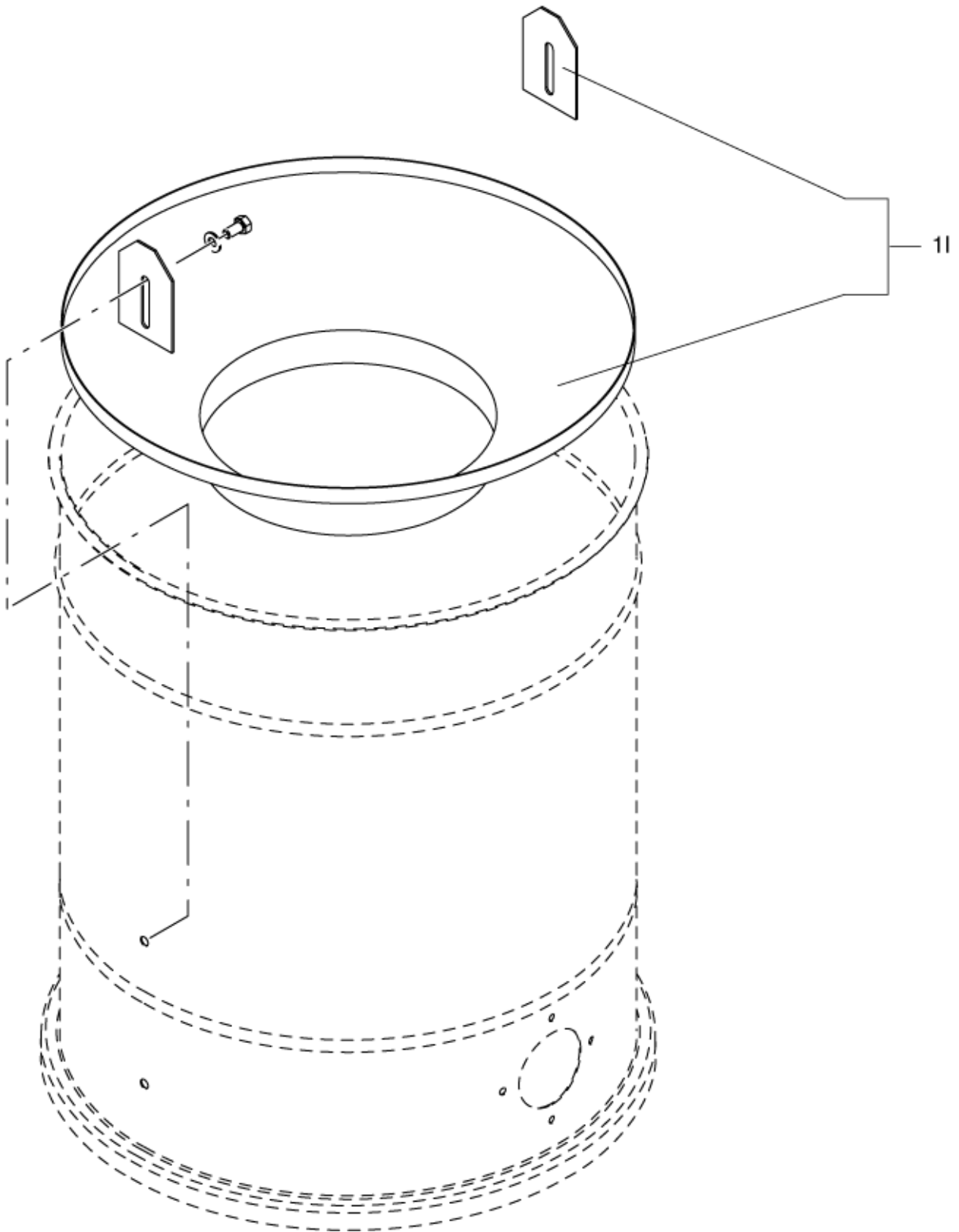
Pos.	Numer Produktu	ilość	Opis	Notes
01X	40000914	1	FILTER SENSOR HOSE KIT	



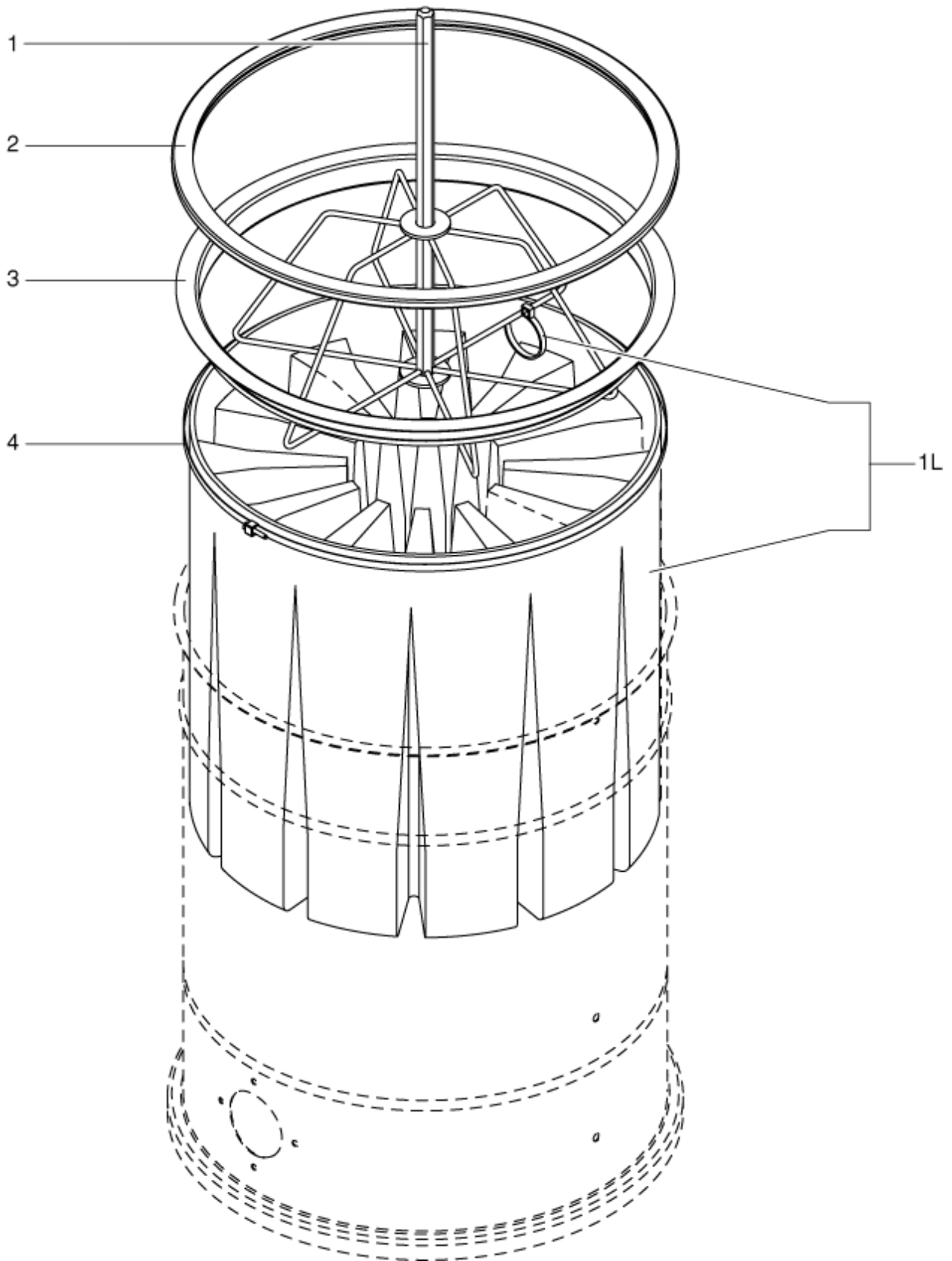
Pos.	Numer Produktu	ilość	Opis	Notes
01Z	40000917	1	COMPLETE COVER KIT	
02Z	40000916	1	AIR INTAKE COVER KIT	



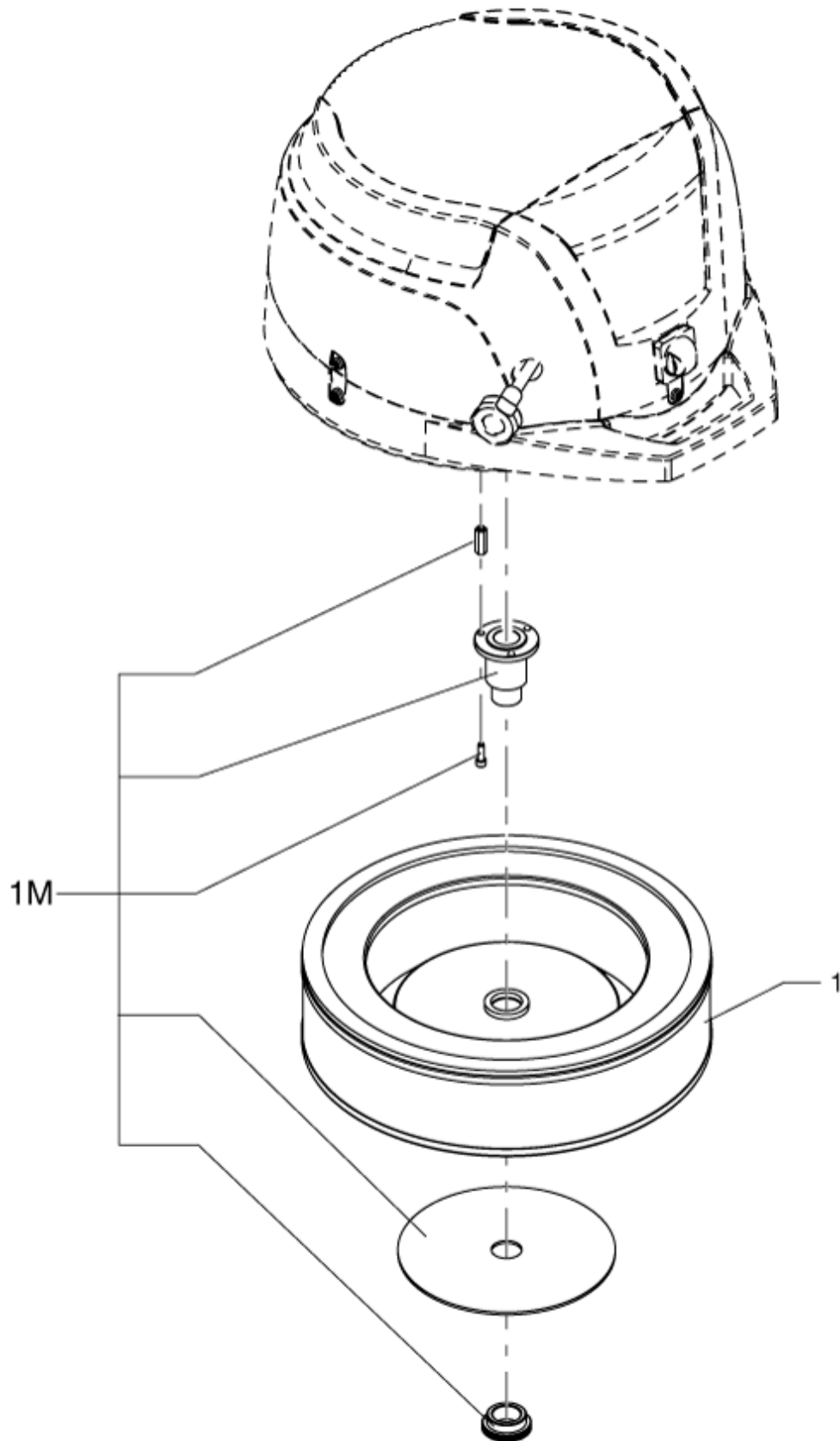
Pos.	Numer Produktu	ilość	Opis	Notes
01	303000516	1	HOSE 40X335	
01H	4056000498	1	KIT LIQUIDS M.S3	
02H	Z5 60034	1	KRATKA I ZAWÓR D460	



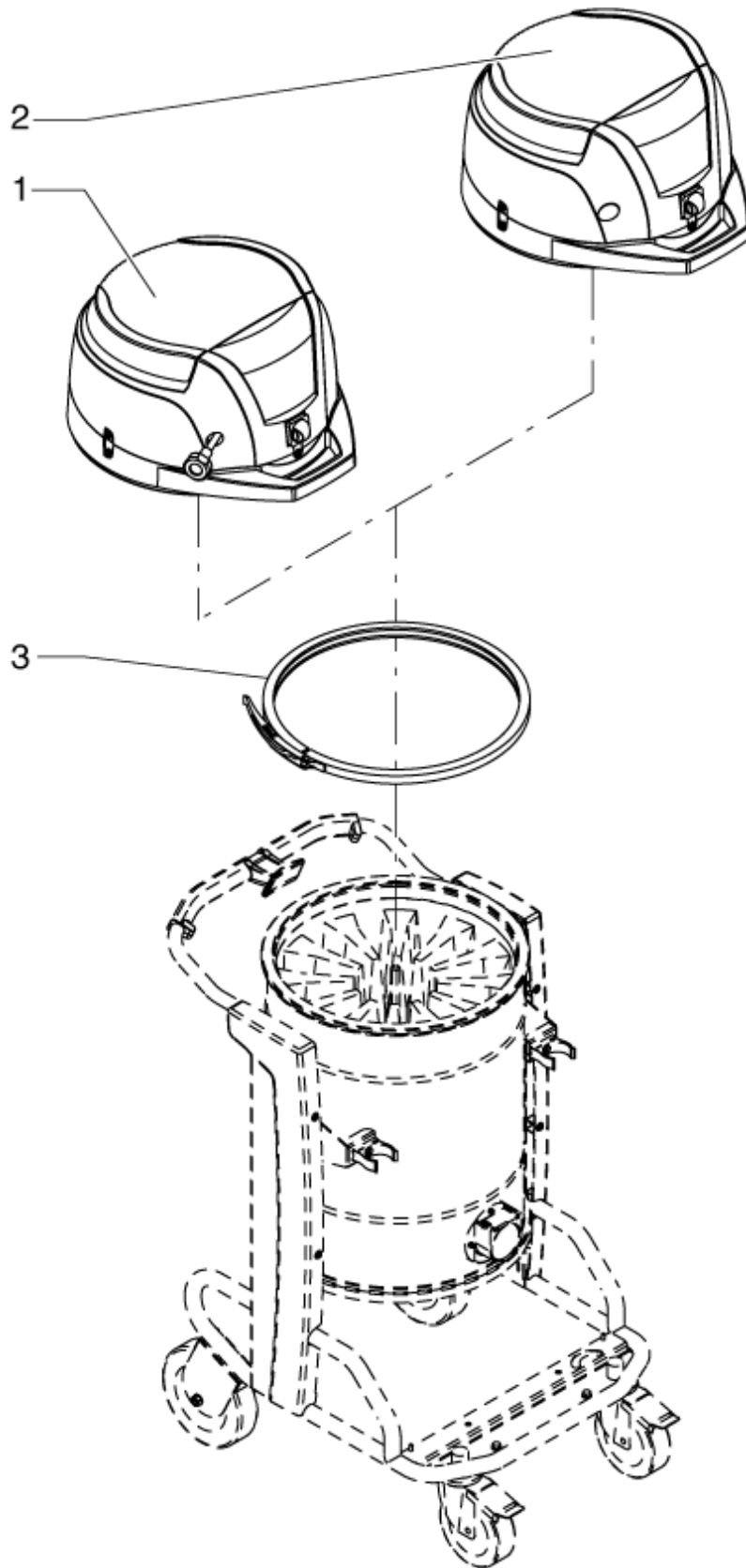
Pos.	Numer Produktu	ilość	Opis	Notes
011	Z5 60109	1	WKŁADKA CYKLONOWA D460	



Pos.	Numer Produktu	ilość	Opis	Notes
01	4083300358	1	FILTER SHAKER CAGE FE D460 M. S2-S3	
01L	40000492	1	FILTR GWIAZDOWY KIT D460 M KLASA	
01L	40000338	1	FILTR GWIAZDOWY D460 KLASA L	
01L	40000898	1	FILTR GWIAZDOWY KIT D460 NOMEK	
02	Z8 17026	1	Uszczelnienie	
02	Z8 17126	1	FILTER SEAL D460 SILIC.	
03	Z8 15003	1	Uchwyt	
03	Z8 15010	1	Uchwyt	
04	Z8 18079	1	OPASKA FILTRA D460	
04	4081801387	1	FILTER BLOCK TIE D460 SS AISI304	



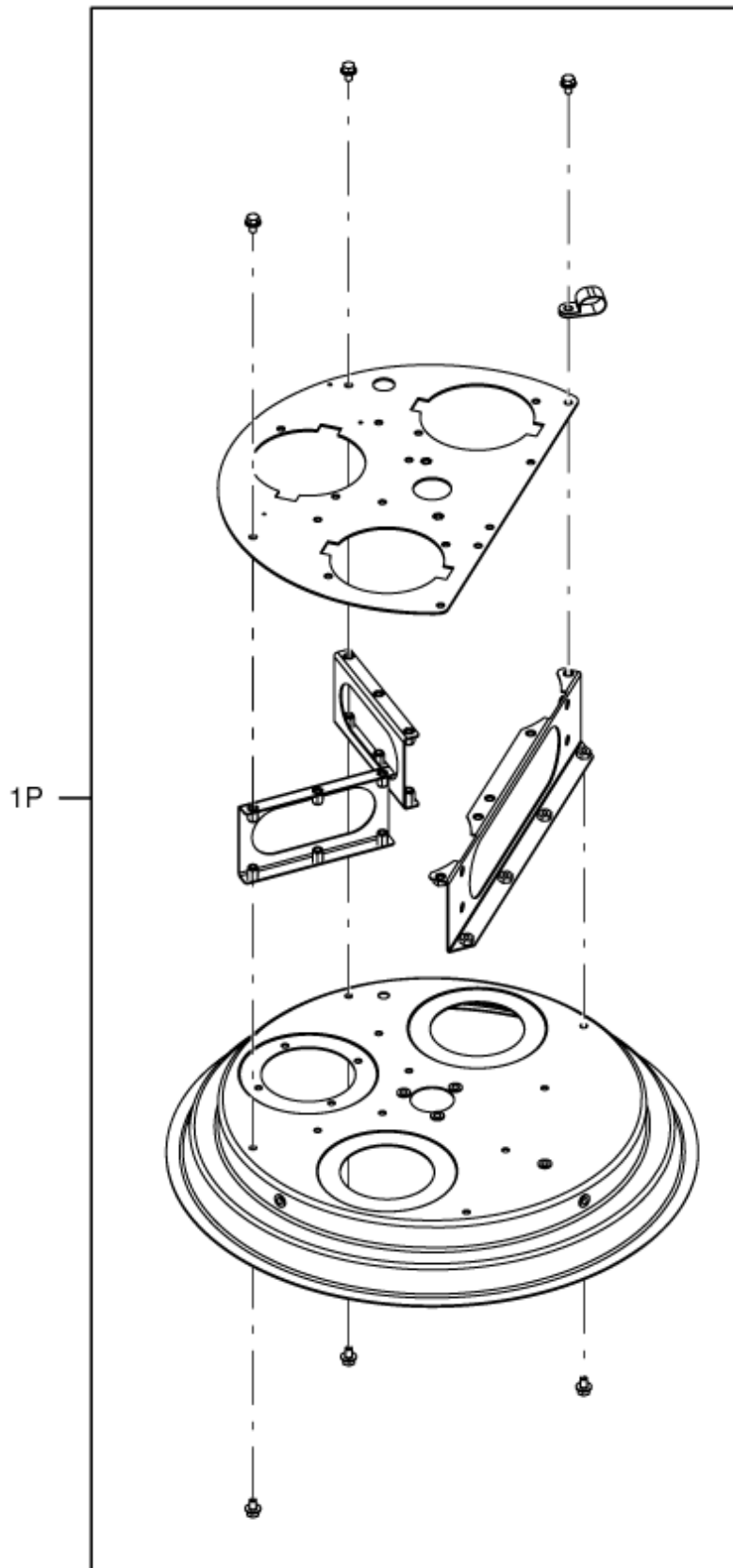
Pos.	Numer Produktu	ilość	Opis	Notes
01	4081700935	1	ABSOLUTE FILTER 415X100 S2S-S3	
01M	40000897	1	KIT ABSOLUTE FILTER SUPPORT	



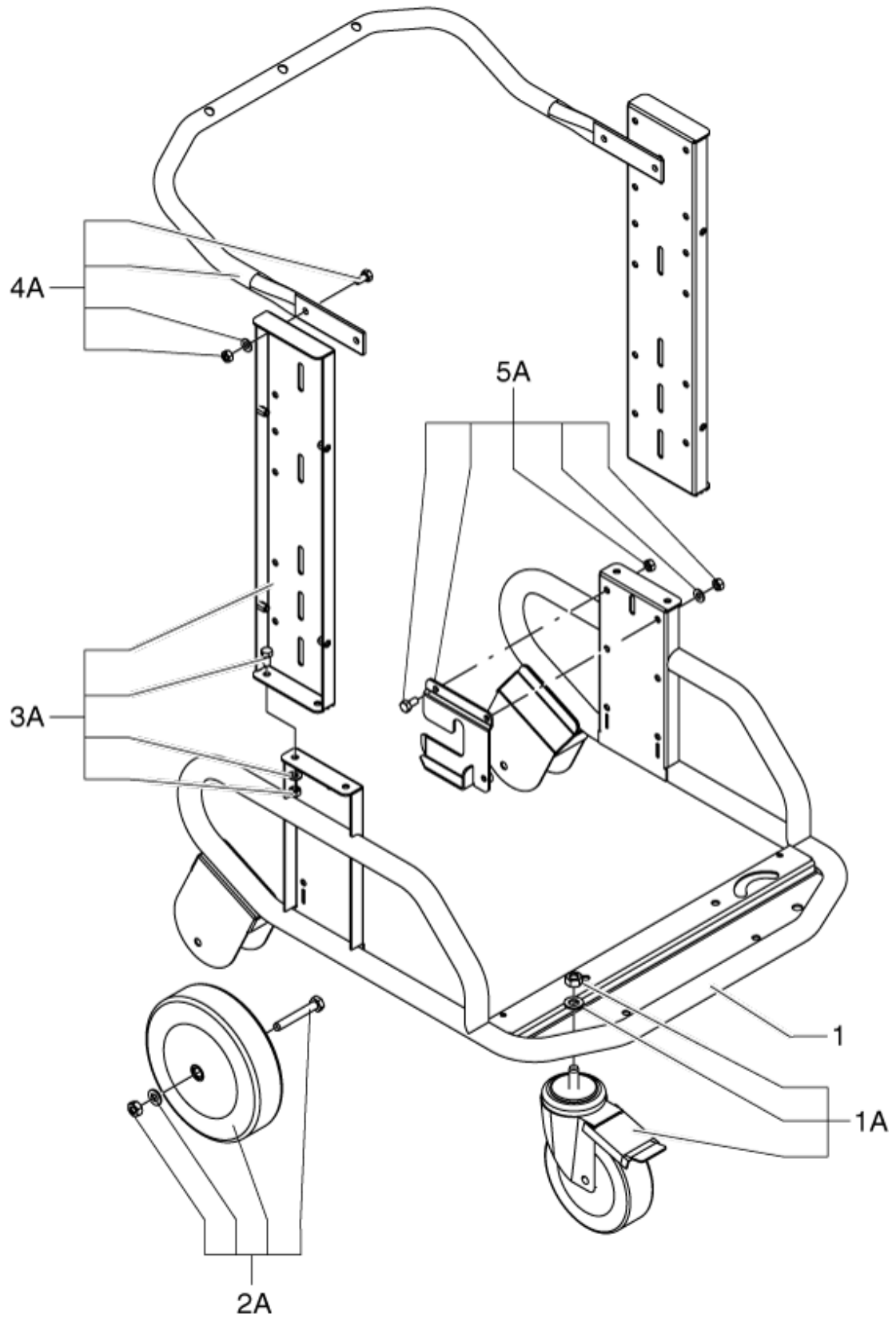
Pos.	Numer Produktu	ilość	Opis	Notes
01	4089100136	1	KIT COMPLETE HEAD M.S3 230V EU	
01	4089100137	1	KIT COMPLETE HEAD M.S3 110V UK	
01	4089100006	1	KIT COMPLETE HEAD S3 230V UK	
02	4089100147	1	KIT COMPLETE HEAD SHAKER EL.M.S3 230V UK	
02	4089100148	1	KIT COMPLETE HEAD SHAKER EL.M.S3 110V UK	
02	4089100146	1	KIT COMPLETE HEAD SHAKER EL.M.S3 230V EU	
03	Z8 36191	1	Blokada	
03	Z8 36355	1	BAND LOCK D460 INOX 3308 COMP. W.BRACKET	[1]

Part Notes:

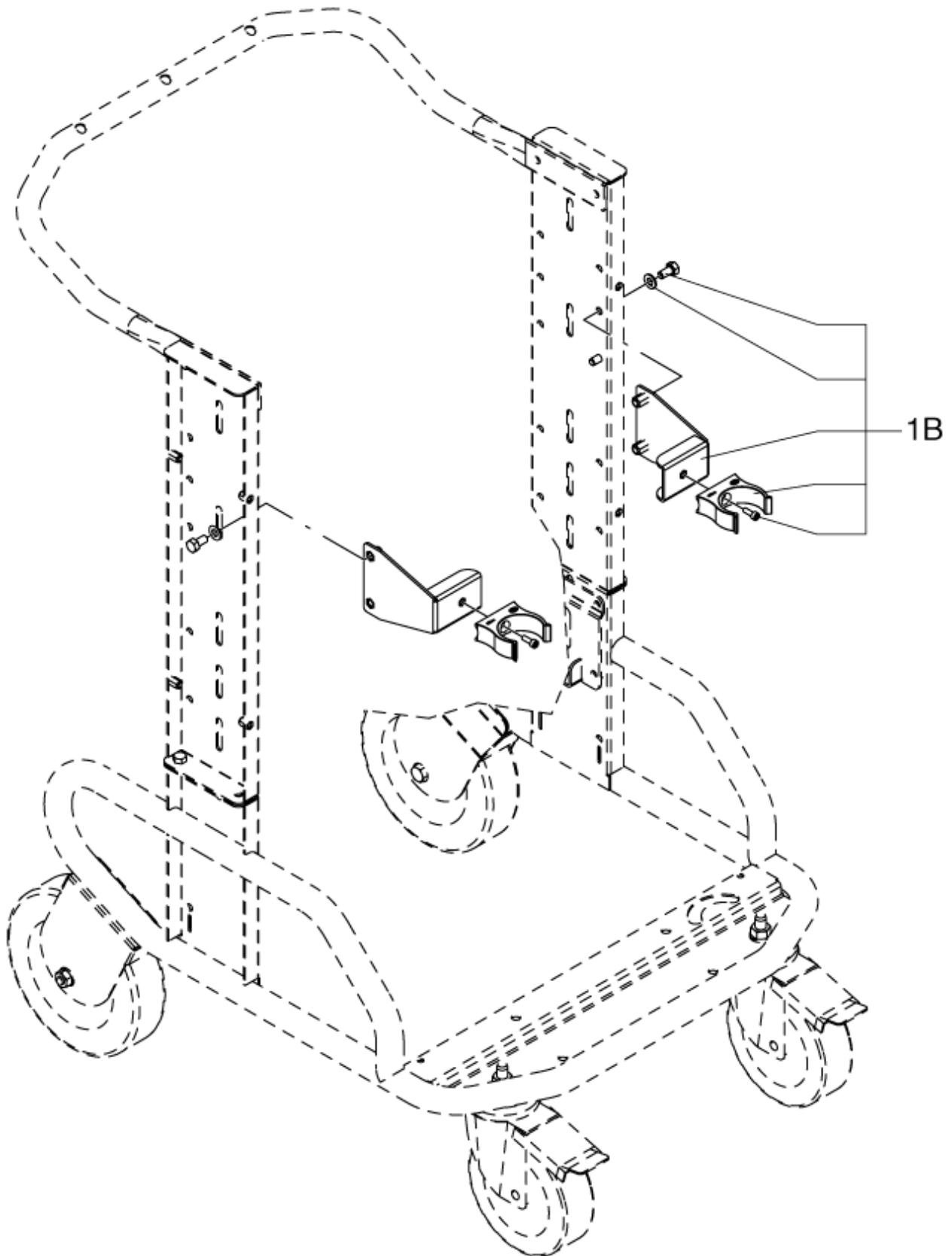
[1] - CONTACT PM IN ZOCCA



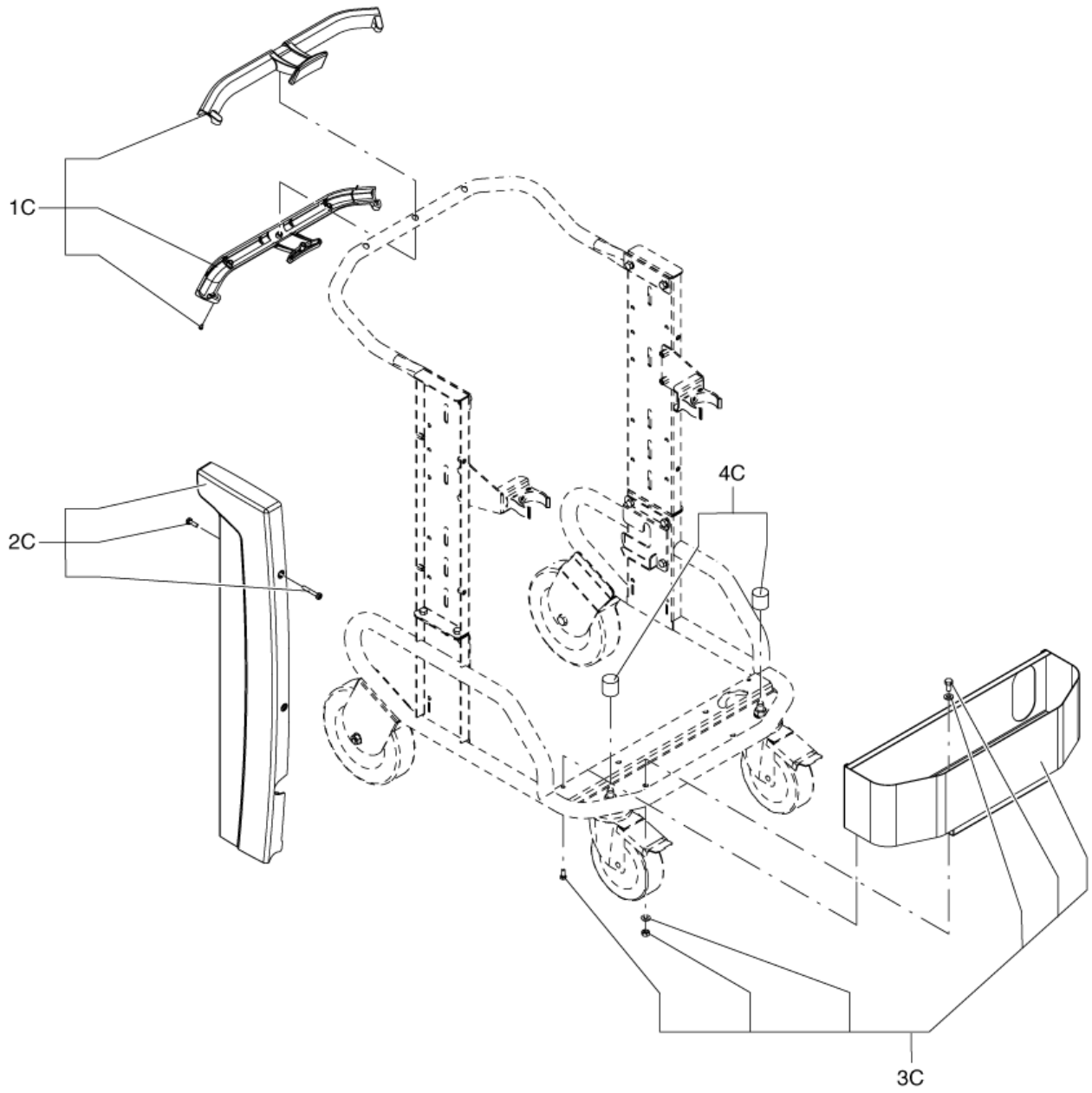
Pos.	Numer Produktu	ilość	Opis	Notes
01P	40000899	1	MOTOR SUPPORT KIT	



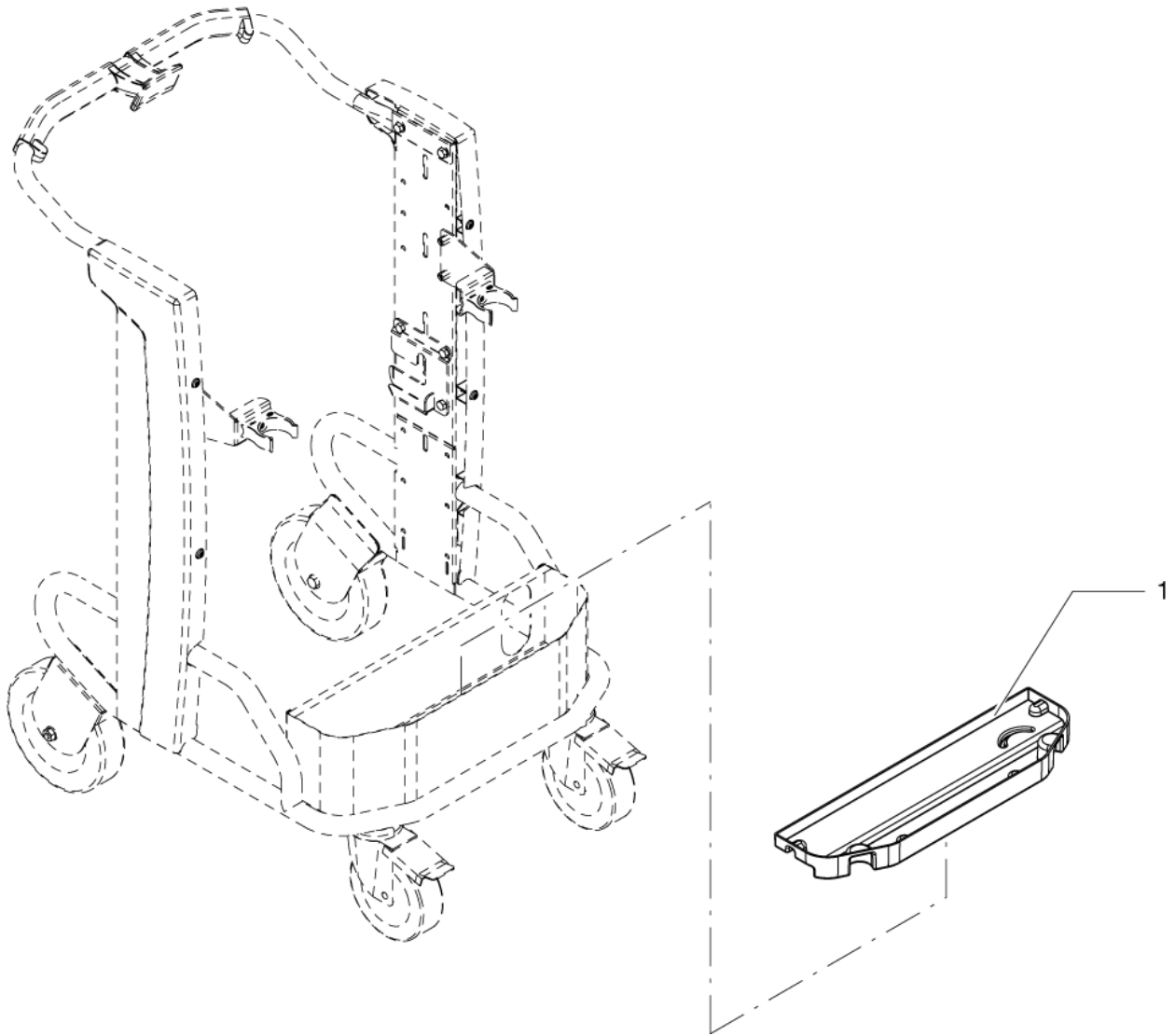
Pos.	Numer Produktu	ilość	Opis	Notes
01	4083600611	1	TROLLEY FOR MODEL S2-S3 R7016	
01A	40000874	2	KIT 2 REVOLV. CASTORS D150	
02A	40000873	2	WHEEL D200 KIT	
03A	40000871	1	UPRIGHT KIT	
04A	40000891	1	HANDLE KIT	
05A	40000872	1	BIN RELEASE KIT	



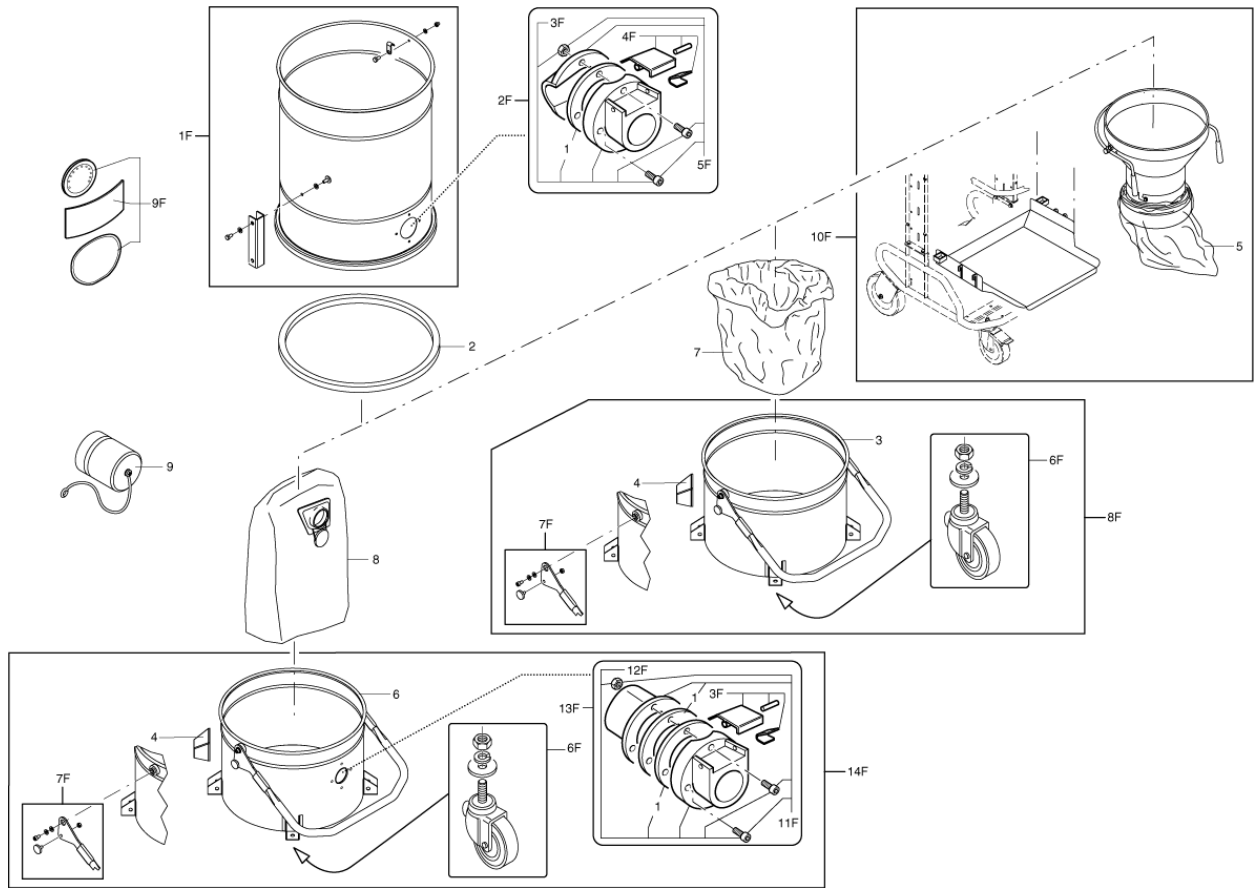
Pos.	Numer Produktu	ilość	Opis	Notes
01B	40000856	1	UCHWYT DO WEŻA	



Pos.	Numer Produktu	ilość	Opis	Notes
01C	40000855	1	HANDLE KIT	
02C	40000864	1	UPRIGHT PROTECTION KIT	
03C	40000892	1	POJEMNIK NA AKCESORIA	
04C	40000870	1	PROTECTION KIT	



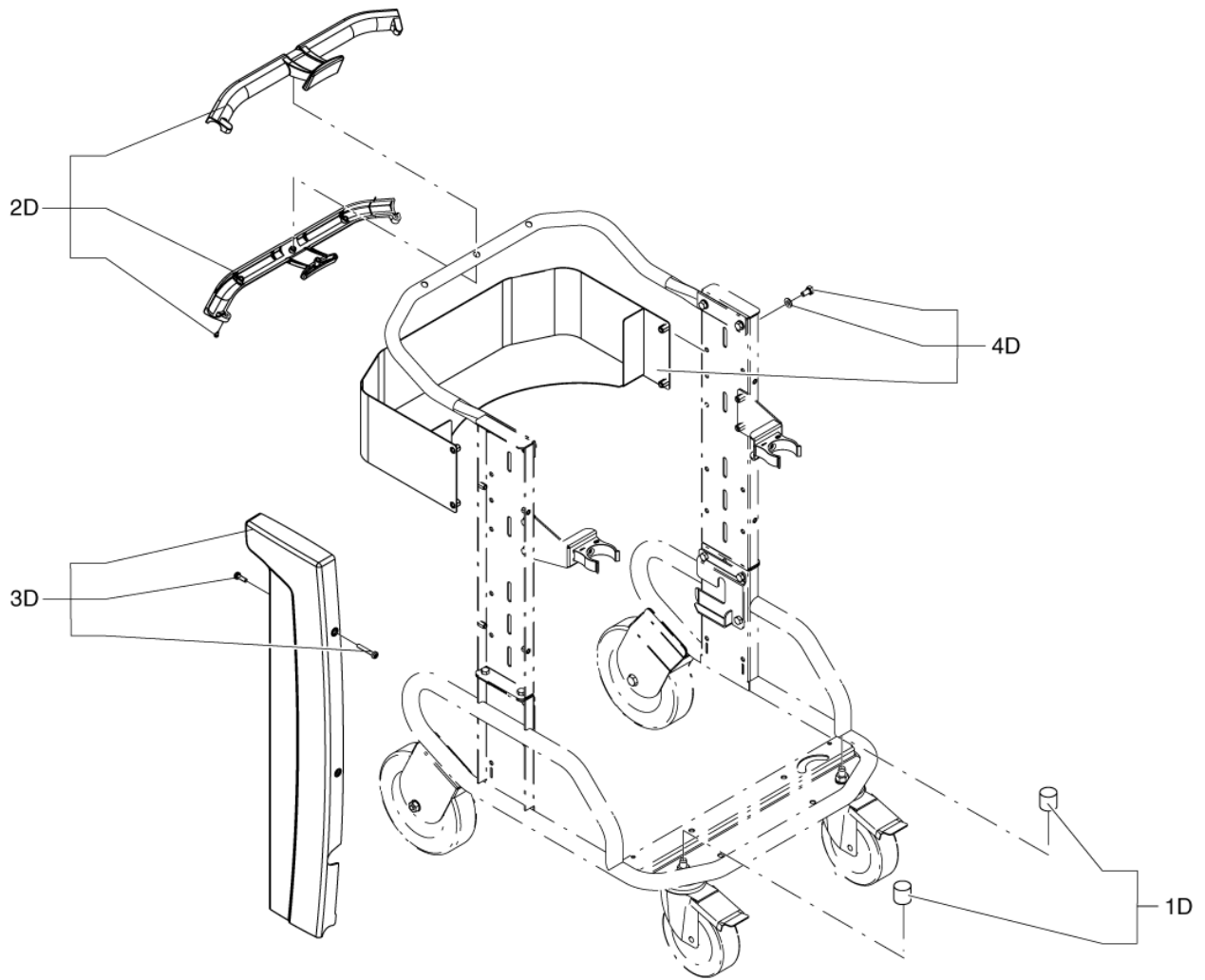
Pos.	Numer Produktu	ilość	Opis	Notes
01	4081600569	1	BIN FOR DROPS IN ABS RAL7016 MOD S3	



Pos.	Numer Produktu	ilość	Opis	Notes
01	Z8 17006	3	INLET SEAL D70	
01F	40000869	1	FILTER CHAMBER KIT	
01F	40000895	1	Komora filtra	
02	40000762	1	USZCZELKA	
02F	40000868	1	D70 INLET FULL KIT	
02F	40000418	1	Wlot D70 INOX MOD. A17	
03	4083000493	1	BIN D460 L50 MODEL-S2-S3	
03	4083000495	1	BIN D460 L100 FOR MODEL S3	
03	4083000552	1	BIN D460 S3 L100 GRILL AND DEP	
03	4083000509	1	Zbiornik D460 L100 IN SS M.S3	
03F	40000867	1	D70 INLET KIT	
03F	40000344	1	KIT INLET INOX D70	
04	Z8 17021	4	BUMPER WHEEL HOLDER	
04F	40000345	1	KIT PUSHBUTTON FOR INLET D70	
05	4084001017	1	PACKAGE OF 5 BAGS D460 LDPE	
05	4084000956	1	MINI PACKAGE 4x22 MT 55 MICRON LONGOPAC	
05F	40000395	1	KIT DEFLECTOR D70	
05F	40000416	1	KIT DEFLECTOR D70 INOX MOD.A17	
06	4083000512	1	BIN D460 L50 FOR BAG ATTACK M.S3	
06F	40000484	1	KIT CASTORS FOR CONTAINER INOX	
06F	40000419	1	Kolo zbiornika	
07	Z8 40099	1	WOREK LDPE 3306	
07F	40000866	1	HANDLE KIT L50	
07F	40000879	1	HANDLE KIT L100	
08	81584000	1	WORKI PAP. 5-P GM/GS 82	
08F	4083000555	1	COMPLETE BIN D460 L100 S3 F.DEPR	
08F	4083000497	1	ZBIORNIK D460 L100 M.S3	
08F	4083000496	1	COMP.BIN D460 L50 M.S2-S3	
08F	4083000510	1	COMPLETE BIN D460 L100 SS S3	
09	Z7 21070	1	PLUG X INLET D70 FE COMPLETE	
09	Z7 21072	1	PLUG X INLET D70 INOX COMPLETE	[1]
09F	40000896	1	STICKER KIT	
10F	4056000468	1	ZESTAW DO ROZŁADOWYWANIA MS2-S3-T30S	
11F	40000852	1	DEFLECTOR FOR PAPER BAG KIT	
12F	40000867	1	D70 INLET KIT	
13F	40000894	1	D70 INLET FULL KIT	
14F	4056000474	1	KIT DISPOSAL SYSTEM D460 L50 MOD. S3	

Part Notes:

[1] - CONTACT PM ZOCCA



Pos.	Numer Produktu	ilość	Opis	Notes
01D	40000870	1	PROTECTION KIT	
02D	40000855	1	HANDLE KIT	
03D	40000864	1	UPRIGHT PROTECTION KIT	
04D	40000893	1	COMPARTMENT KIT	

Pos.	Numer Produktu	ilość	Opis	Notes
1	4083901657	1	PROTECTIVE SHEATH SPIRAL SS304 D.INT.9,5	
2	4084001281	1	FAST CONNECT. CAMLOCK "D" 3F-D75F SS316	
3	4085300406	1	COMPLETE HEAD S3 230V CHP	
4	4089100287	1	COMPLETE HEAD S3P V110 UK KIT	
5	4089100804	1	KIT COMPL. HEAD SHAKER EL.S3N24 240V AU	

