

NILFISK DIY 100/150/250/LCD

Model:

NILFISK DIY 100

NILFISK DIY 150

NILFISK DIY 250

NILFISK DIY LCD



Part List US-English

23-02-2015

Nilfisk

www.nilfisk.com

Table of Contents

NILFISK DIY 100/150/250/LCD

Overview 100	3
Overview 150, 250	5
Overview LCD	7
Accessories	9
Bent ends	11
Black dust container	13
RECOMMENDED SPARE PARTS	15

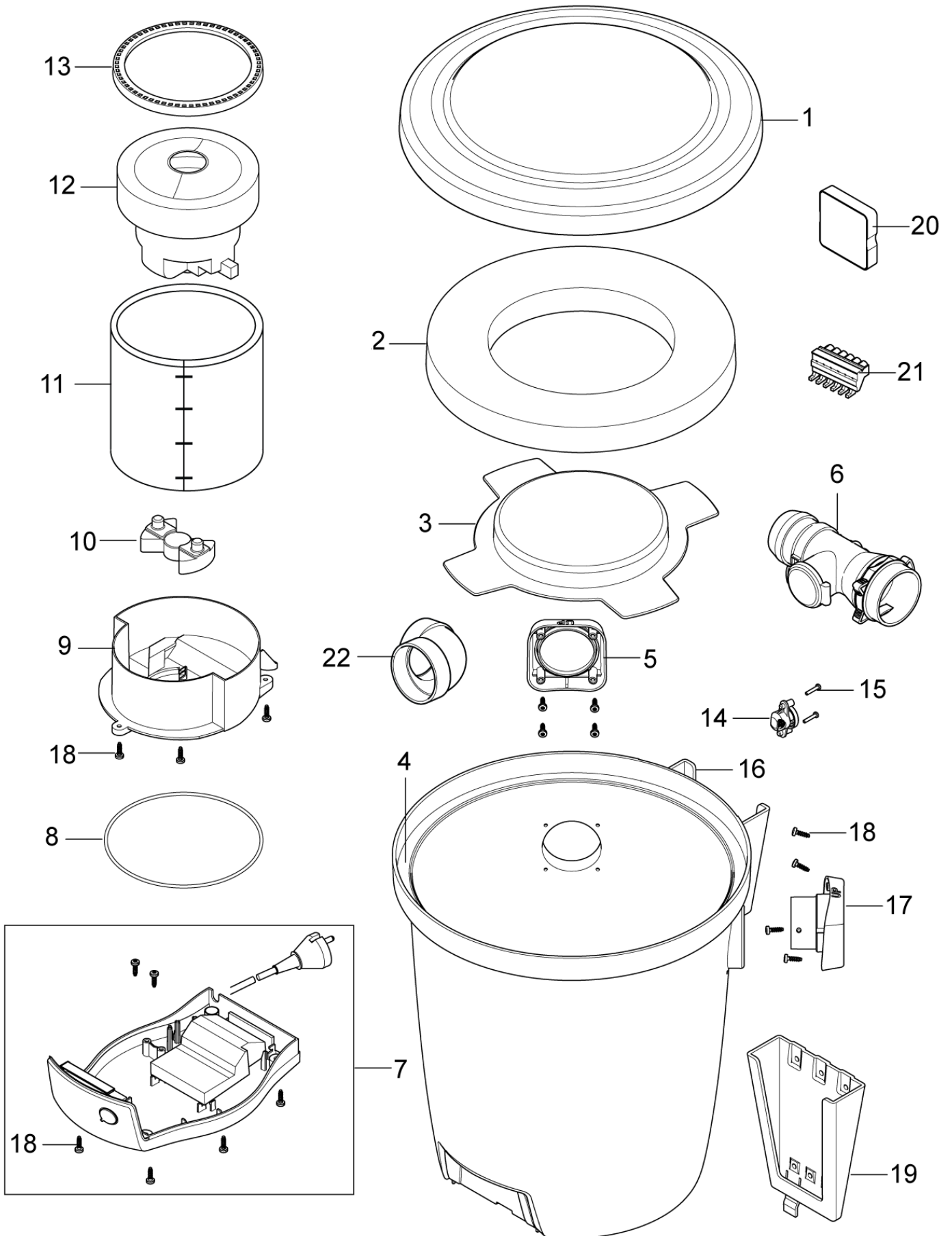
Overview 100

NILFISK DIY 100/150/250/LCD

23-02-2015

Part List ID
PERFORMER06

3



Overview 100

NILFISK DIY 100/150/250/LCD

23-02-2015

Part List ID
PERFORMER06

4

Pos	Part no.	Qty	Description
1	140 8505 010	1	LID ALTO
2	140 8539 500	1	FILTER CV
3	140 8537 000	1	IP COVER
4	140 0061 060	1	GASKET L 1075
5	140 8536 020	1	PLUG INLET ALTO
6	107408058	1	UTILITY INLET
7	107408045	1	COVER TOP NILF EU PERF-SUPR 100-150-250
8	140 6799 010	1	GASKET L 660
9	140 8521 000	1	NOISE TRAP
10	107408017	1	REAR MOTOR MOUNT FOR CV
11	107408012	1	CVUPGR SOUND REDUCTION FOAM
12	107408008	1	CVUPGR FAN UNIT 1300W 220-240V 50-60HZ
13	107408016	1	FRONT MOTOR MOUNT FOR CV
14	140 7779 010	1	VACUUM VALVE CPL.
15	140 9214 220	2	SCREW PT K30X16 FZB
16	140 8526 060	1	CHASSIS W INLET NILFISK
17	140 8535 020	1	INLET ALTO
18	140 9214 040	18	SCREW PTK TORX 40X14 MM FZB
19	147 1427 510	1	BRACKET WALL CV
20	107408055	1	TRANSCEIVER BOX CPL 433MHZ
21	107408020	1	6POLE CV CONNECTOR
22	42000254	1	90 DEGREE SHORT ELBOW

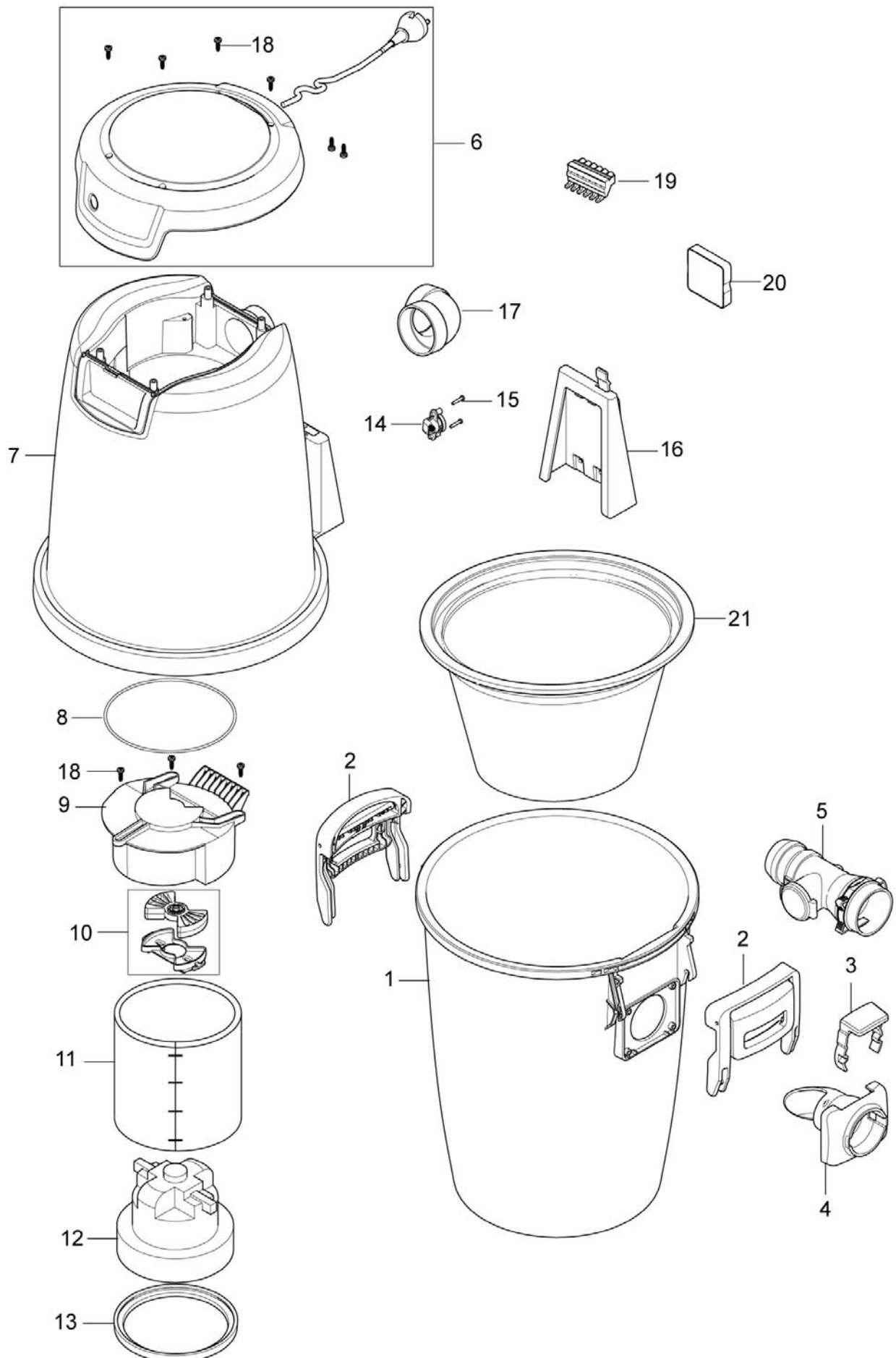
Overview 150, 250

NILFISK DIY 100/150/250/LCD

23-02-2015

Part List ID
PERFORMER04

5



Overview 150, 250

NILFISK DIY 100/150/250/LCD

23-02-2015

Part List ID
PERFORMER04

6

Pos	Part no.	Qty	Description
1	140 8502 070	1	CONTAINER CV NILFISK
2	107408054	2	CVUPGR HANDLE RAL9005 1PC
3	140 7205 510	1	TRIGGER WD
4	140 7204 520	1	INLET GWD 300-SERIES BLACK
5	107408058	1	UTILITY INLET
6	107408045	1	COVER TOP NILF EU PERF-SUPR 100-150-250
7	140 8501 090	1	CHASSIS SOPRA
7	140 8501 110	1	CHASSIS GOLD
8	140 6799 010	1	GASKET L 660
9	140 8521 000	1	NOISE TRAP
10	107408017	1	REAR MOTOR MOUNT FOR CV
11	107408012	1	CVUPGR SOUND REDUCTION FOAM
12	107408008	1	CVUPGR FAN UNIT 1300W 220-240V 50-60HZ
12	107408010	1	CVUPGR FAN UNIT 1600W 220-240V 50-60HZ
13	107408016	1	FRONT MOTOR MOUNT FOR CV
14	140 7779 010	1	VACUUM VALVE CPL.
15	140 9214 220	2	SCREW PT K30X16 FZB
16	147 1427 510	1	BRACKET WALL CV
17	42000254	1	90 DEGREE SHORT ELBOW
18	140 9214 040	9	SCREW PTK TORX 40X14 MM FZB
19	107408020	1	6POLE CV CONNECTOR
20	107408055	1	TRANSCEIVER BOX CPL 433MHZ
21	140 8514 500	1	BAG FILTER

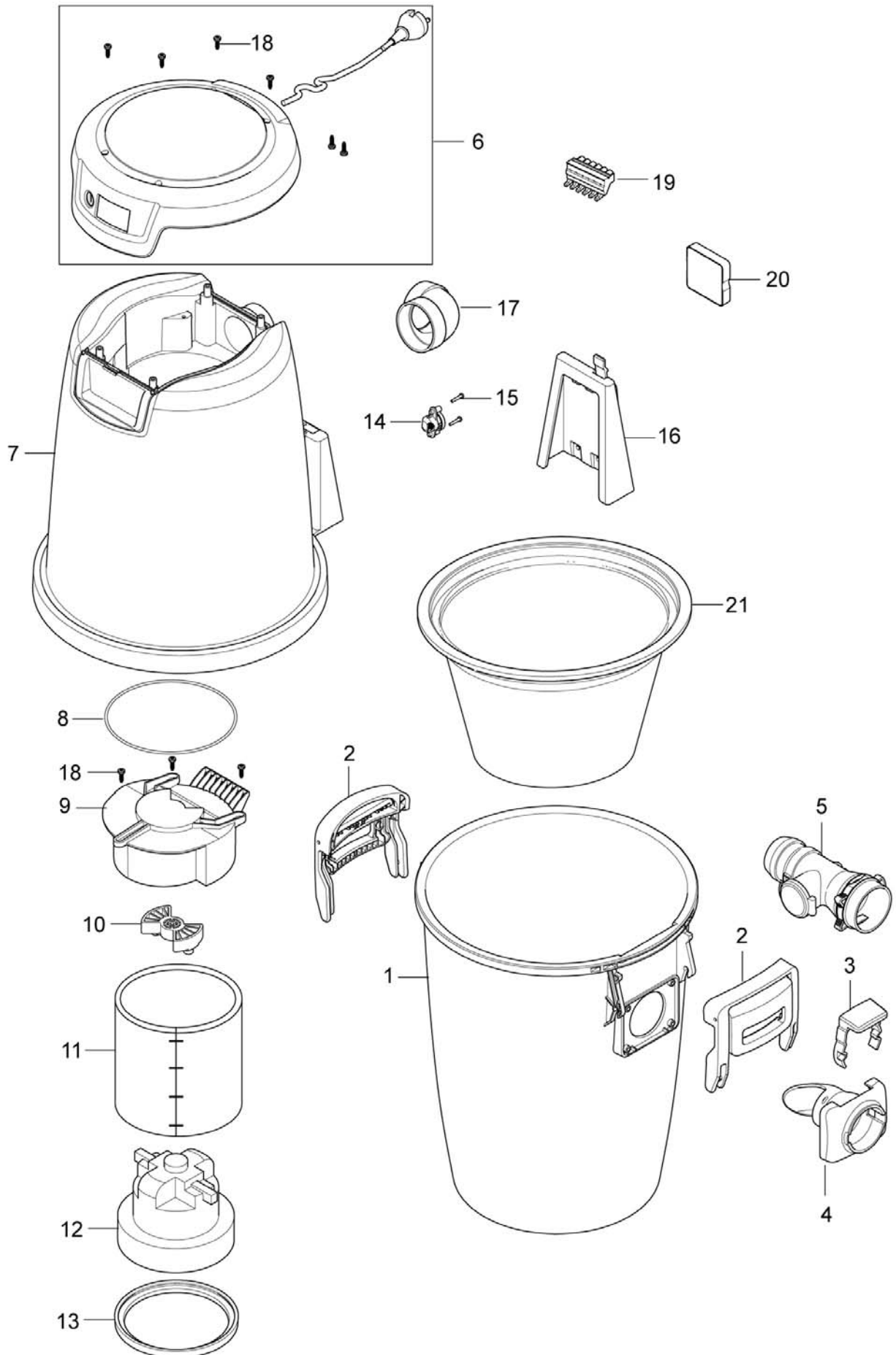
Overview LCD

NILFISK DIY 100/150/250/LCD

23-02-2015

Part List ID
PERFORMER08

7



Overview LCD

NILFISK DIY 100/150/250/LCD

23-02-2015

Part List ID
PERFORMER08

8

Pos	Part no.	Qty	Description
1	140 8502 070	1	CONTAINER CV NILFISK
2	107408054	2	CVUPGR HANDLE RAL9005 1PC
3	140 7205 510	1	TRIGGER WD
4	140 7204 520	1	INLET GWD 300-SERIES BLACK
5	107408058	1	UTILITY INLET
6	107408049	1	NILFISK EU TOP COVER SUPREME LCD
7	140 8501 110	1	CHASSIS GOLD
8	140 6799 010	1	GASKET L 660
9	140 8521 000	1	NOISE TRAP
10	107408017	1	REAR MOTOR MOUNT FOR CV
11	107408012	1	CVUPGR SOUND REDUCTION FOAM
12	107408008	1	CVUPGR FAN UNIT 1300W 220-240V 50-60HZ
12	107408010	1	CVUPGR FAN UNIT 1600W 220-240V 50-60HZ
13	107408016	1	FRONT MOTOR MOUNT FOR CV
14	140 7779 010	1	VACUUM VALVE CPL.
15	140 9214 220	2	SCREW PT K30X16 FZB
16	147 1427 510	1	BRACKET WALL CV
17	42000254	1	90 DEGREE SHORT ELBOW
18	140 9214 040	9	SCREW PTK TORX 40X14 MM FZB
19	107408020	1	6POLE CV CONNECTOR
20	107408055	1	TRANSCEIVER BOX CPL 433MHZ
21	140 8514 500	1	BAG FILTER

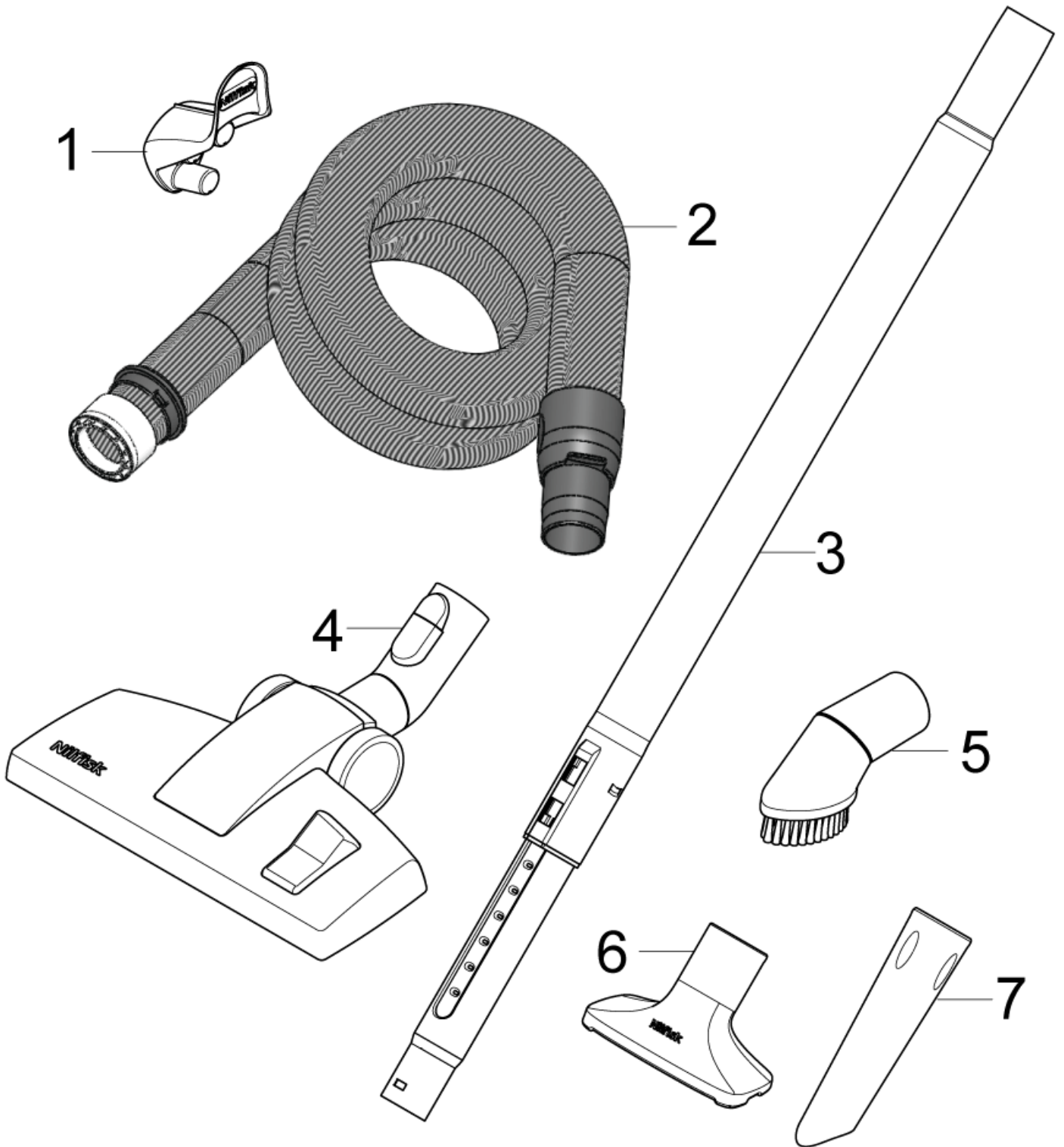
Accessories

NILFISK DIY 100/150/250/LCD

23-02-2015

Part List ID
PERFORMER10

9



Accessories

NILFISK DIY 100/150/250/LCD

23-02-2015

Part List ID
PERFORMER10

10

Pos	Part no.	Qty	Description
0	107408024	1	BOX FOR SMALL NILFISK CV2.5
0	107408025	1	BOX FOR BIG NILFISK CV2.5
0	107408028	1	BIG CV MACHINE BOX INLAY
1	107408032	1	NILFISK CV HOSEHANGER
2	107408014	1	CONICAL CV HOSE 9M - FOR REMOTE HOSE
2	107408015	1	CONICAL CV HOSE 12M - FOR REMOTE HOSE
2	107408018	1	CONICAL CV HOSE 9M - FOR MANUAL HOSE
2	107408019	1	CONICAL CV HOSE 12M - FOR MANUAL HOSE
3	107408043	1	NILFISK NEW TELESCOPIC TUBE
4	107408042	1	NILFISK NEW COMBI NOZZLE
5	107408040	1	NILFISK NEW BRUSH NOZZLE
6	107408041	1	NILFISK NEW UPHOLSTERY NOZZLE
7	107408039	1	NILFISK NEW CREVICE NOZZLE

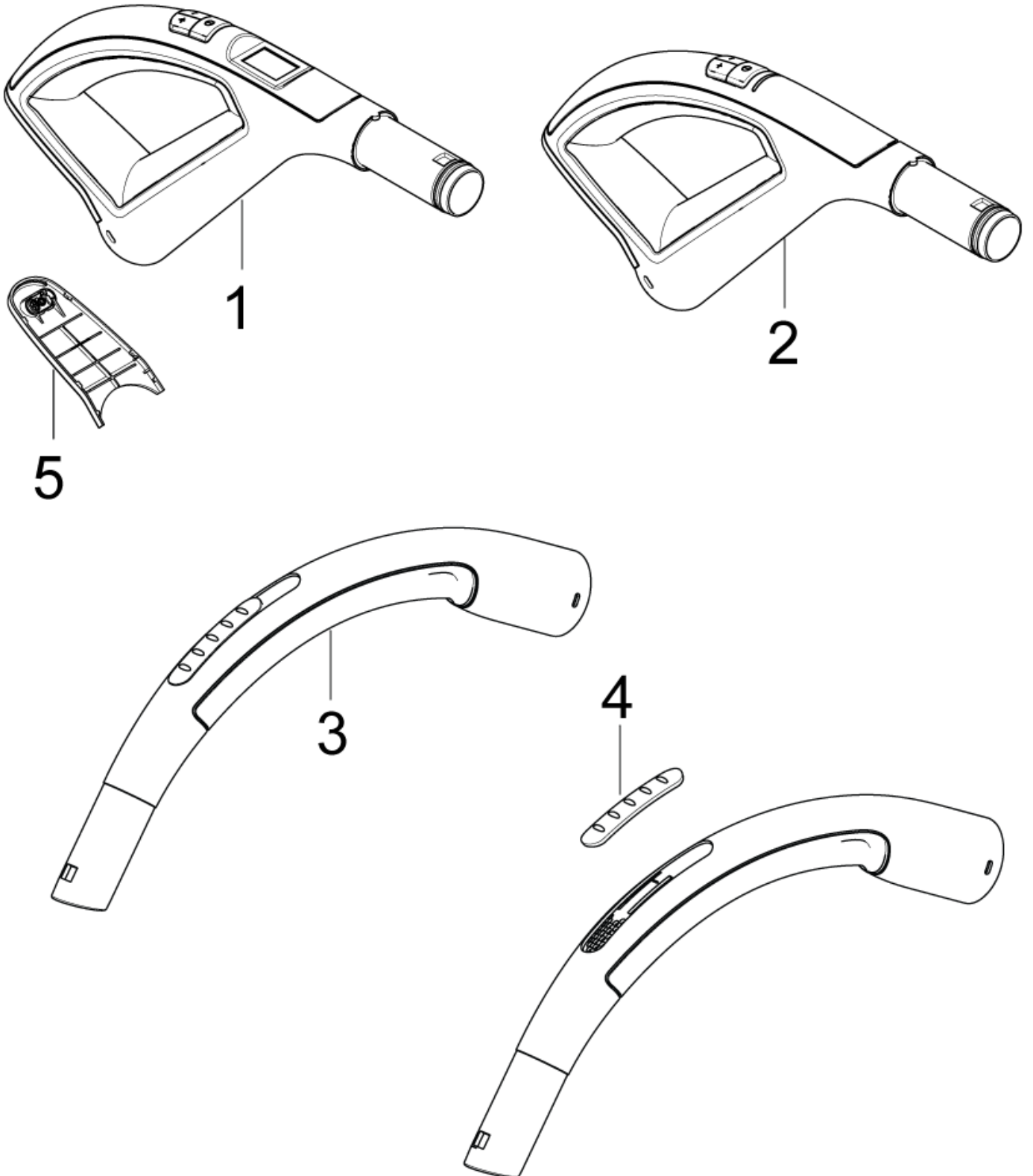
Bent ends

NILFISK DIY 100/150/250/LCD

23-02-2015

Part List ID
SUPREME12

11



Bent ends

NILFISK DIY 100/150/250/LCD

23-02-2015

Part List ID
SUPREME12

12

Pos	Part no.	Qty	Description
1	107408057	1	CV DELUXE BENT END 433MHZ
2	107408056	1	CV STD BENT END 433MHZ
3	147 0243 520	1	BENT END BASIC AND MEDIUM D32
4	147 0152 500	1	VALVE BENT END STD
5	107409105	1	BATTERY CAP FOR BENT END

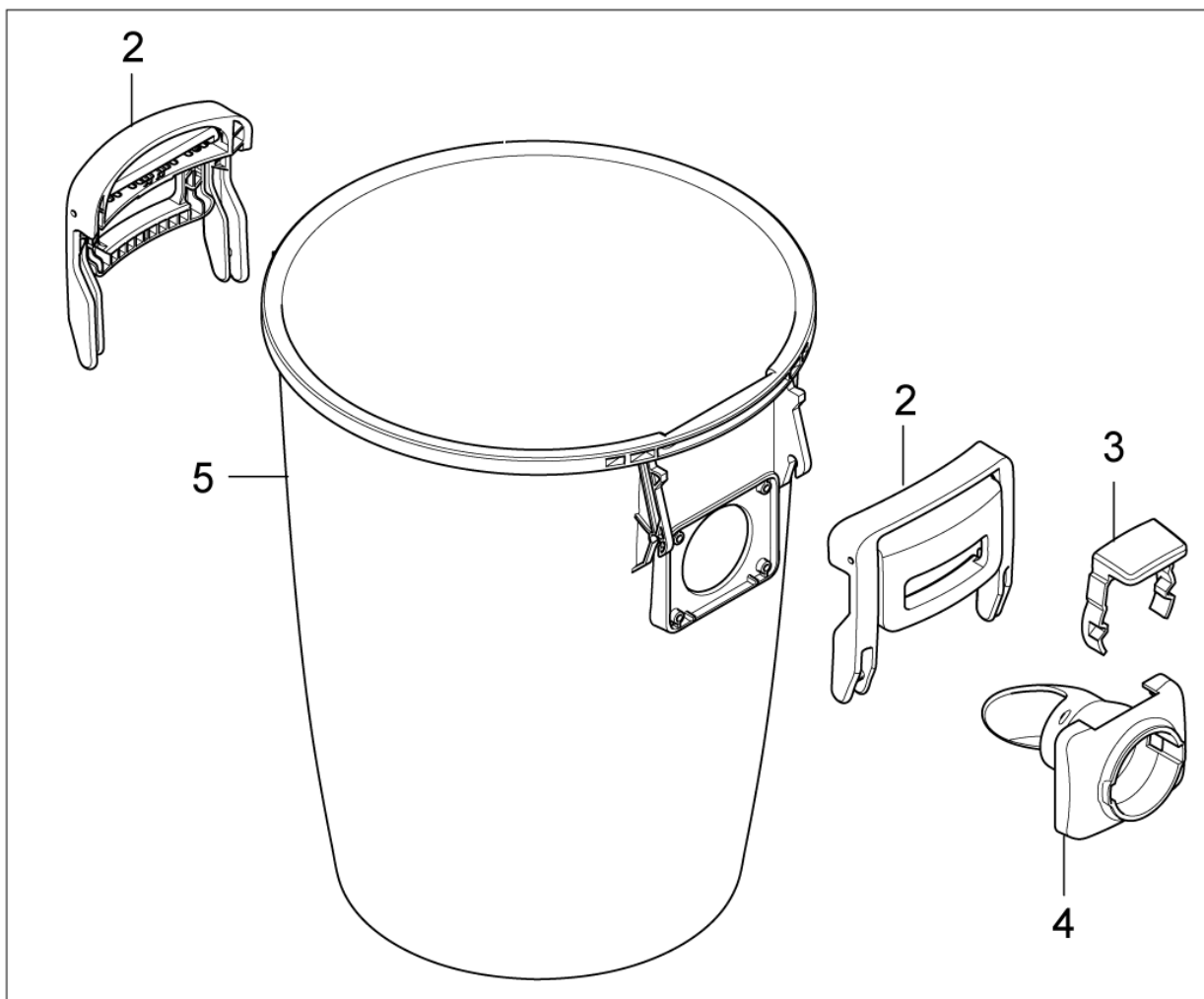
Black dust container

NILFISK DIY 100/150/250/LCD

23-02-2015

Part List ID
SUPREME14

13



Black dust container

NILFISK DIY 100/150/250/LCD

23-02-2015

Part List ID
SUPREME14

14

Pos	Part no.	Qty	Description
1	107408052	1	BLACK DUST CONTAINER W. FOLDING HANDLES
2	107408054	2	CVUPGR HANDLE RAL9005 1PC
3	140 7205 510	1	TRIGGER WD
4	140 7204 520	1	INLET GWD 300-SERIES BLACK
5	140 8502 070	1	CONTAINER CV NILFISK

RECOMMENDED SPARE PARTS

NILFISK DIY 100/150/250/LCD

23-02-2015

Part List ID

DIY16

15

No Drawing For Part List

RECOMMENDED SPARE PARTS

NILFISK DIY 100/150/250/LCD

23-02-2015

Part List ID

DIY16

16

Pos	Part no.	Qty	Description
	107408008	1	CVUPGR FAN UNIT 1300W 220-240V 50-60HZ
	107408010	1	CVUPGR FAN UNIT 1600W 220-240V 50-60HZ
	107408012	1	CVUPGR SOUND REDUCTION FOAM
	107408014	1	CONICAL CV HOSE 9M - FOR REMOTE HOSE
	107408015	1	CONICAL CV HOSE 12M - FOR REMOTE HOSE
	107408016	1	FRONT MOTOR MOUNT FOR CV
	107408017	1	REAR MOTOR MOUNT FOR CV
	107408018	1	CONICAL CV HOSE 9M - FOR MANUAL HOSE
	107408019	1	CONICAL CV HOSE 12M - FOR MANUAL HOSE
	107408020	1	6POLE CV CONNECTOR
	107408039	1	NILFISK NEW CREVICE NOZZLE
	107408040	1	NILFISK NEW BRUSH NOZZLE
	107408041	1	NILFISK NEW UPHOLSTERY NOZZLE
	107408042	1	NILFISK NEW COMBI NOZZLE
	107408043	1	NILFISK NEW TELESCOPIC TUBE
	107408045	1	COVER TOP NILF EU PERF-SUPR 100-150-250
	107408054	1	CVUPGR HANDLE RAL9005 1PC
	107408055	1	TRANSCEIVER BOX CPL 433MHZ
	107408056	1	CV STD BENT END 433MHZ
	107408057	1	CV DELUXE BENT END 433MHZ