

PARTS LIST



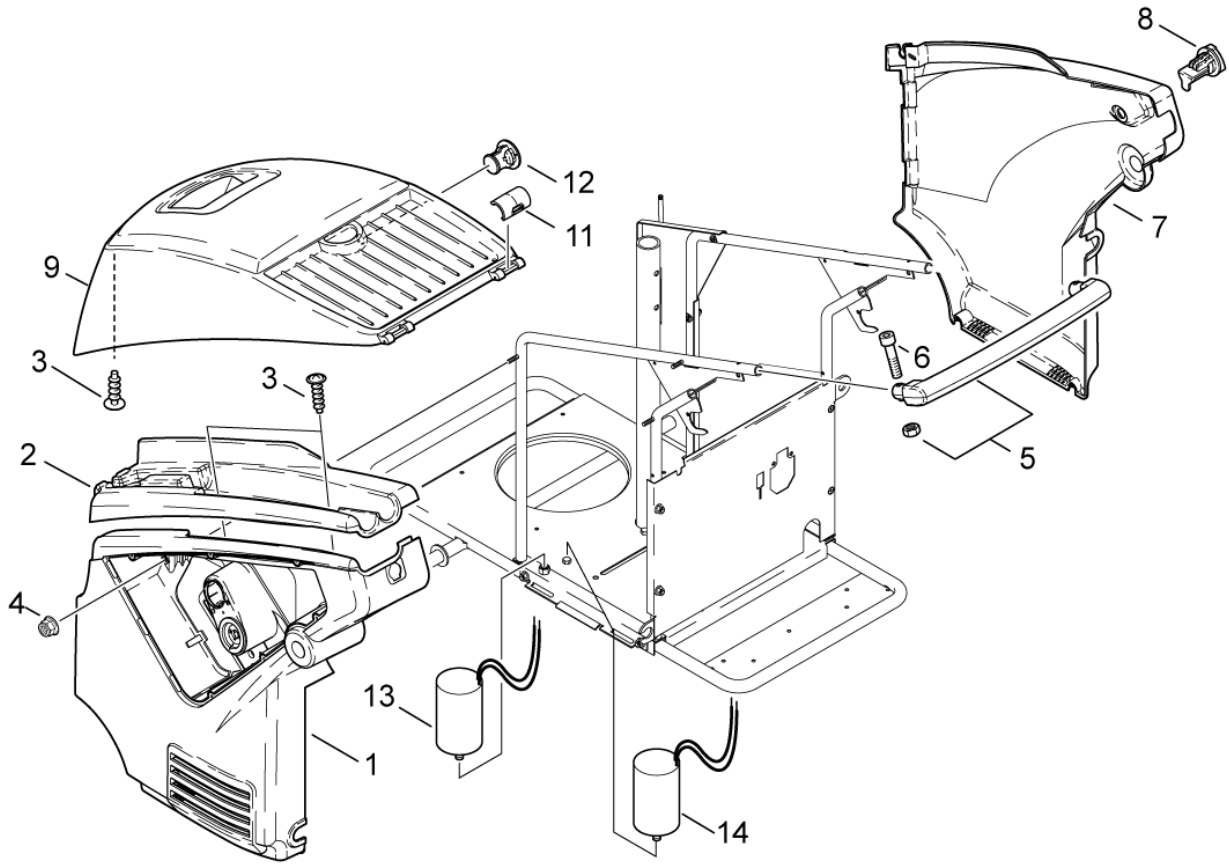
2015.08.07

www.nilfisk-alto.com

Nilfisk
ALTO
works for you

TABLE OF CONTENTS

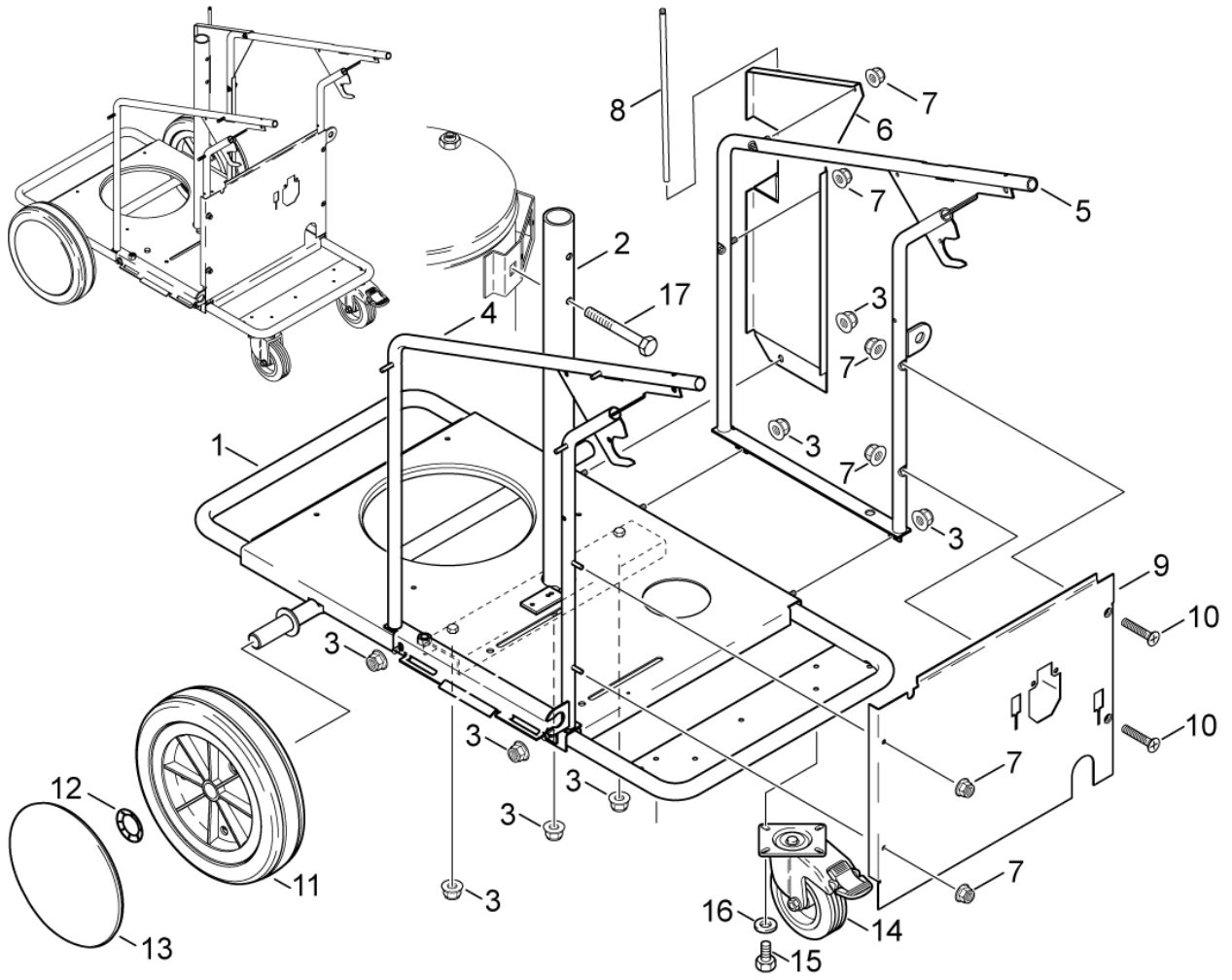
Cabinet	1
Frame	3
Fuel tank, detergent tank	5
Water break tank	7
Anti-scale pump	9
Motor with el-box	11
Pump	13
Water inlet - Easy start	15
Water flow regulation	17
Flow control	19
Electric box	21
101118096 - NA5.2 Pump kit	23
Electric box cover	25
Electric box cables	27
Heat exchanger	29
Fan - From 2012	31
Distributor, ignition transformer - From 2012	33
Burner unit	35
Basket for hose reel, NEPTUNE 5 + 7	37
Hose reel x-models	39
Hose reel - cord reel x2-models	41
Service crane	43
Default accessories	45
Recommended spare parts	47



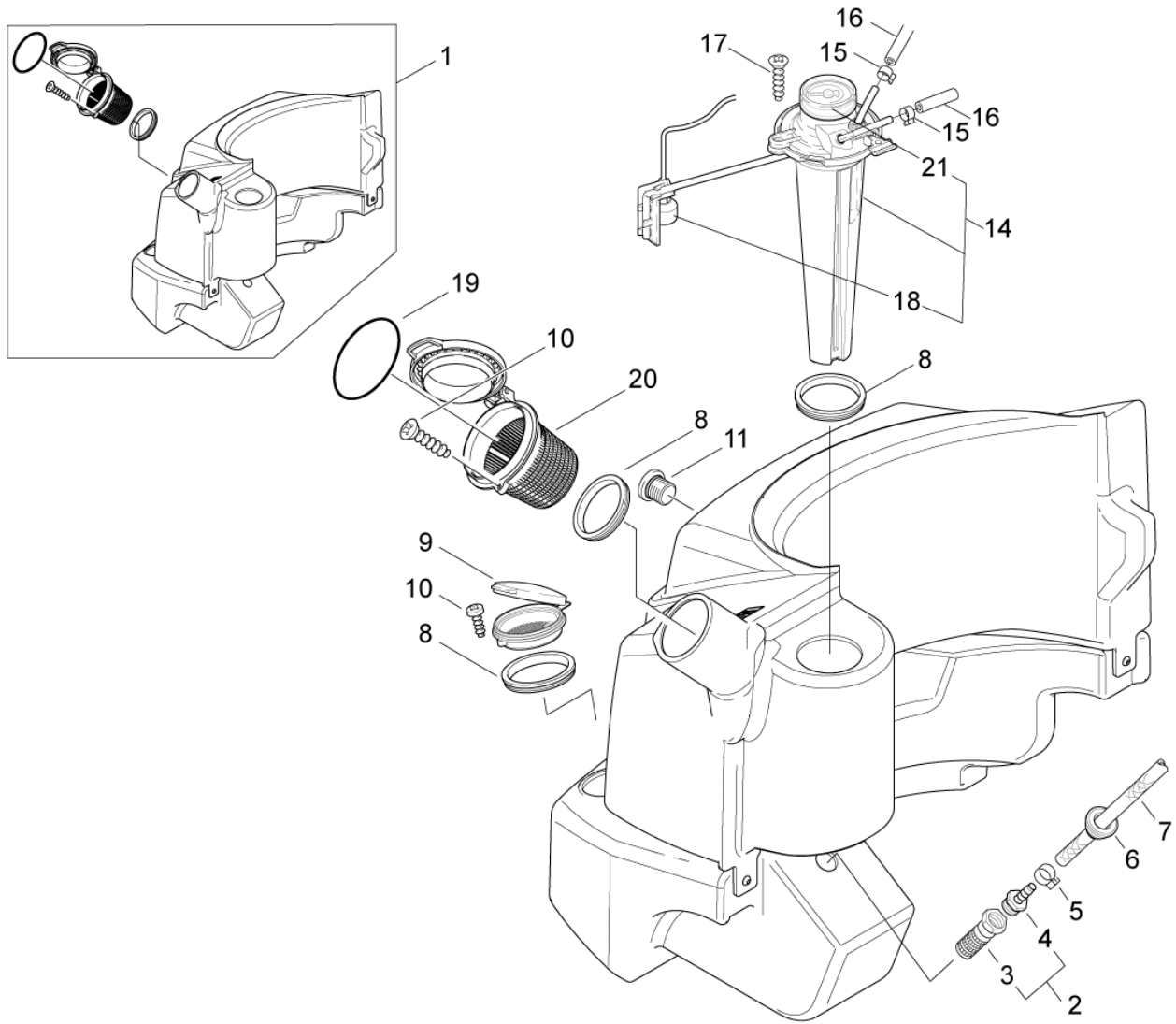
Pos.	Numer Produktu	ilość	Opis	Notes
01	301000455	1	SIDE CABINET - LEFT	
02	301000454	1	LANCE HOLDER	
03	1814614	2	ŠRUBA K50X18 Wn1451 A2	
04	12496	3	HEXAGON NUT M6	
05	301000447	1	HANDLE PREASSEMBLY	
06	5945	2	SCREW M6X30	
07	301000456	1	SIDE CABINET - RIGHT	
08	301000585	1	DOOR LOCK Ø29X28	
09	301000450	1	SHROUD NEPTUNE 5 BLUE	
11	301000457	2	KLIPS	
12	301000584	1	LOCKING BOLT D29X28	
13	107141732	1	CAPACITOR 140 UF SPARE PART	[1]
14	107141733	1	CAPACITOR 100 UF SPARE PART	[1]

Part Notes:

[1] - 5-50, 230V/1/60 30A US



Pos.	Numer Produktu	ilość	Opis	Notes
01	301000510	1	BASE FRAME NEPTUNE 5 7	
02	301000525	1	CENTRAL TUBE	
03	61467	8	HEXAGON NUT M8	
04	301000518	1	TUBE FRAME LEFT	
05	301000519	1	TUBE FRAME RIGHT	
06	301000521	1	HINGE PLATE	
07	12496	6	HEXAGON NUT M6	
08	301000706	1	BOLT D8X310	
09	301000523	1	POKRYWA	
10	8947	2	COUNTERSUNK SCREW	
11	6184074	2	WHEEL 300	
12	46363	2	CLAMPING RING D25	
13	301001077	2	KÓLPAK	
14	301000554	2	CASTOR D125 WITH BRAKE	
15	5370	8	SCREW M8X10	
16	2762	8	WASHER 8.4X1.6	
17	3453	1	SCREW M8X60	

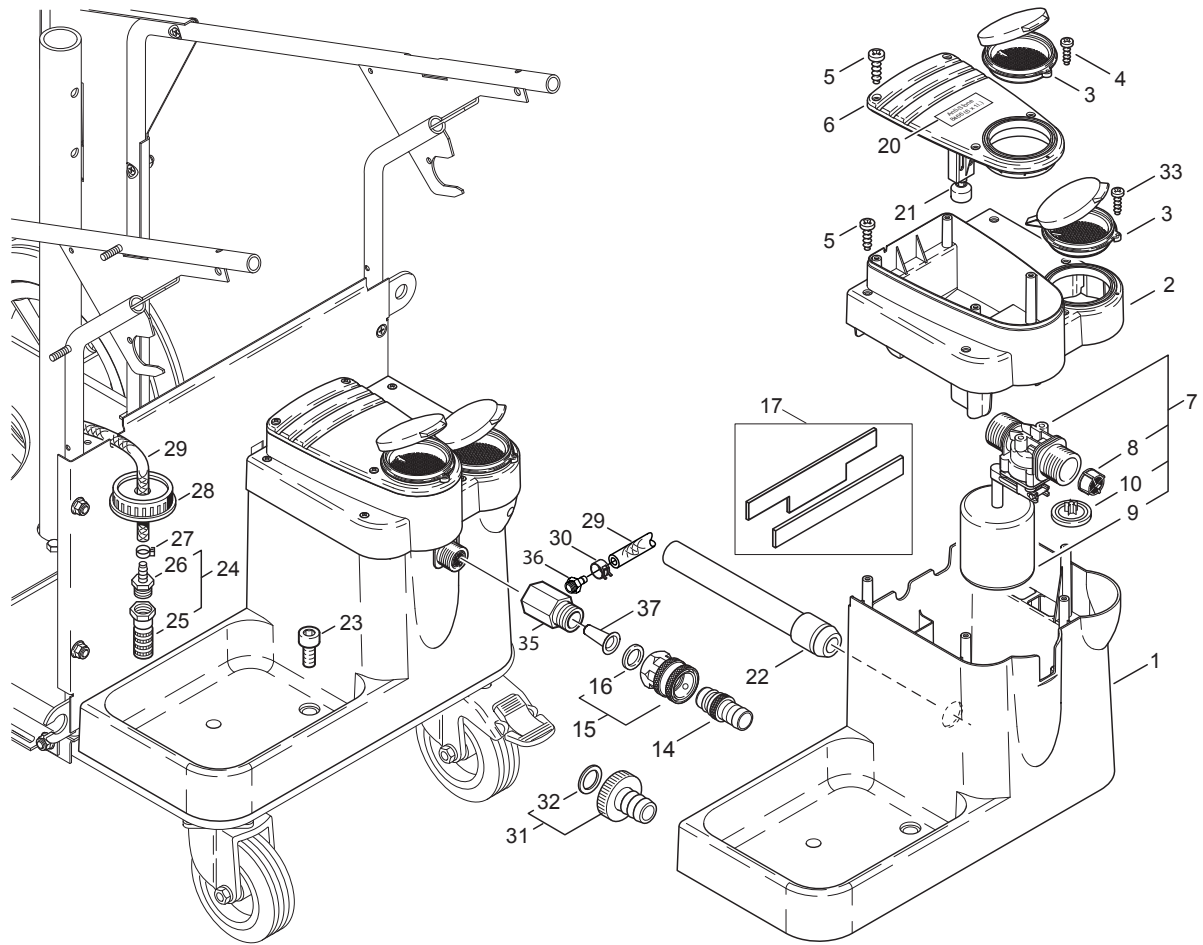


Pos.	Numer Produktu	ilość	Opis	Notes
01	301000458	1	TANK FUEL/DETERGENT NEPTUNE 5+7	
02	107145440	1	STRAINER VALVE COMPL. KIT	
03	107145440	1	STRAINER VALVE COMPL. KIT	
04	5283	1	MOCOWANIE	
05	11654	1	KLAMRA	
06	301000618	1	GASKET Ø 32X20.1	
07	101406100	1	HOSE DN 6X3 5M	
08	301000620	3	GASKET D79.6XD66X10	[1]
09	301000561	1	TANK COVER DETERGENT	
10	18086	2	SCREW 2.9X13	
11	6180906	1	PLUG WITH O-RING	
14	301000644	1	FUEL GAUGE	
15	301001133	2	HOSE CLAMP 10/7	
16	106408244	2	HOSE D6X2.5 - 5 METERS	[2]
17	5606	1	SCREW 2.9X19	
18	301001196	1	CZUJNIK POZIOMU OLEJU	
19	909100173	1	O-RING 56.0X5.0 NBR70	
20	301001292	1	FILTR	
21	301000634	1	COVER Ø50.7X17.3 PC	

Part Notes:

[1] - TSB-PPW-2013-001 301000620, 301001276TSB-PPW-2013-001 301000620, 301001276

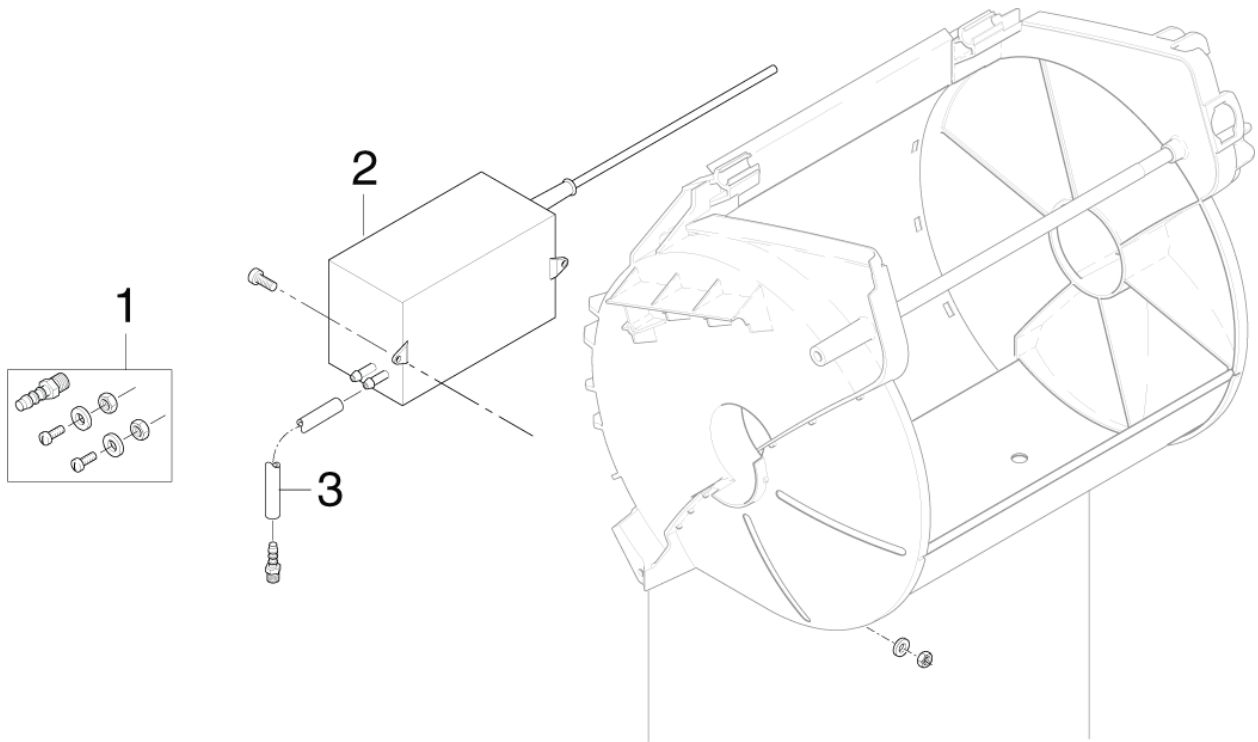
[2] - 1,5m



Pos.	Numer Produktu	ilość	Opis	Notes
1	301000563	1	ZBIORNIK	
2	301000562	1	ANTI SCALE TANK PP	
3	301000561	2	TANK COVER DETERGENT	
4	5606	1	SCREW 2.9X19	
5	909100138	9	SCREW 5X20	
6	301000560	1	COVER ANTI SCALE TANK	
7	63347	1	Zawór	
8	34218	1	FILTER FOR FLOAT VALVE Ø19 KU	
9	62877	1	SWIMMER Ø 55X60	
10	62878	1	MEMBRANE RUBBER	
14	1600659	1	ZŁĄCZE NITO WĘŻA 3/4"	
14	1605955	1	NIPPLE F. QUICK COUPLING L.P	
15	1602945	1	SZYBKOZŁĄCZE 3/4 Z USZCZELKĄ	
16	3001237	1	GASKET Ø24.5XØ16X3 NITRIL 80SH	
17	101117872	1	GASKET KIT	
18	301001180	1	PLUG 4	
19	301000915	1	LABEL D20	
20	301000932	1	NAKLEJKA	
21	301000695	1	WŁĄCZNIK	
22	301001416	1	WAŻ SSACY D22X275	
23	8892	2	HEXAGON SCREW M8X16 A2 ISO 4762	
24	107145440	1	STRAINER VALVE COMPL. KIT	
25	107145440	1	STRAINER VALVE COMPL. KIT	
26	5283	1	MOCOWANIE	
27	11654	1	KLAMRA	
28	301001004	1	CLOSING CAP W.D 13 HOLE D65X22	
29	101406100	2	HOSE DN 6X3 5M	
30	11654	1	KLAMRA	
31	61369	1	PRZYŁĄCZE WODY 20R 3/4	
32	46487	1	PACKING RING 21X29X2.5	
33	18086	1	SCREW 2.9X13	
34	909100141	1	RURKA Ø4X1 DIN 73378	
35	101117805	1	ADAPTER KIT	[1]
36	301001392	1	HOSE LINER Ø8 M10X1 SW12 CuZn	
37	101117926	1	FILTR	

Part Notes:

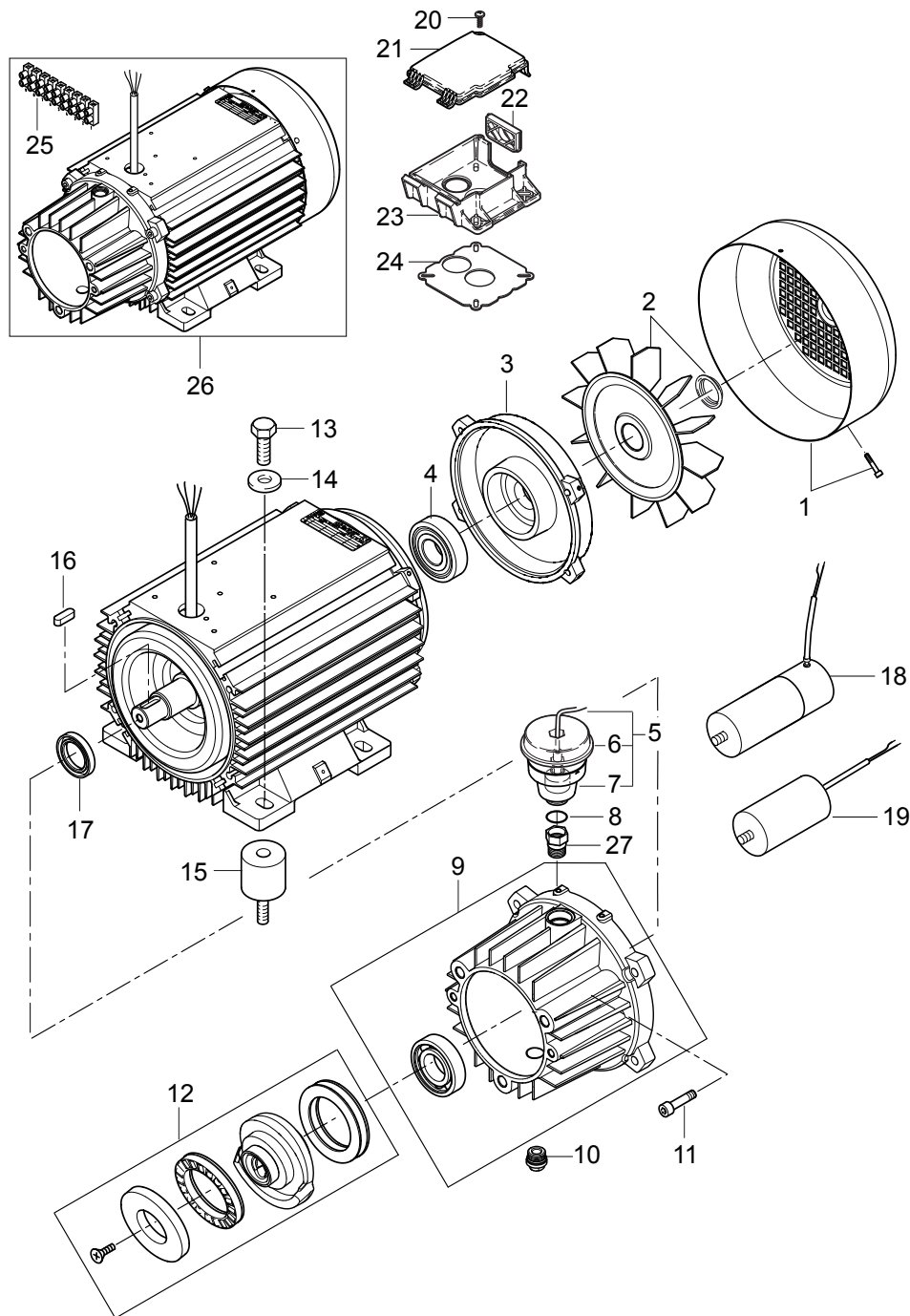
[1] - TSB-PPW-2014-001 Water inlet 101117873



Pos.	Numer Produktu	ilość	Opis	Notes
01	101117831	1	SCREW FITTING F MOUNTING ANTISCALE PUMP	
02	101117828	1	ANTISCALE PUMP ST-15 140ML 24V	[1]
02	101117826	1	ANTISCALE PUMP ST-15 35 ML WITH PLUG 24V	[2]
03	101117833	1	HOSE D3/D5 TRANSPARENT 0.6MM KIT	

Part Notes:

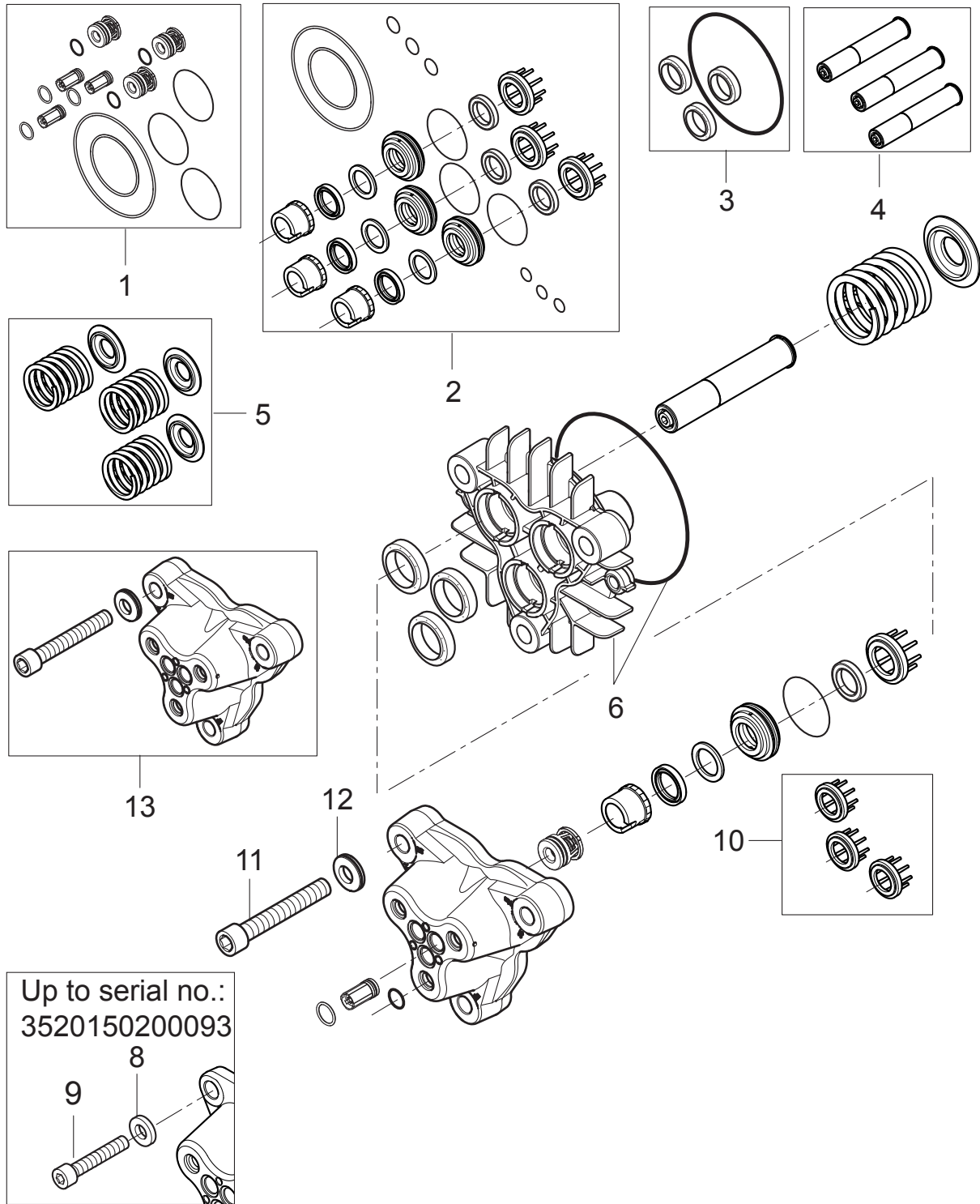
- [1] - NEPTUNE 7 + 8
- [2] - NEPTUNE 5



Pos.	Numer Produktu	ilość	Opis	Notes
1	107144126	1	FAN COVER RF	
1	107144127	1	FAN COVER - EME	
2	107144124	1	FAN W/LOCK RING - EME	
2	107144125	1	PIERŚCIEŃ	
3	31000148	1	REAR BEARING COVER RF	
3	31000150	1	REAR BEARING COVER EME	
4	31000149	1	REAR BEARING 6306 2Z C3 150 DEGREES RF	
4	31000151	1	REAR BEARING EME	
5	301000616	1	OIL CONTAINER WITH LEVEL INDICATOR	
6	301000615	1	POKRYWA	
7	301000614	1	ZBIORNIK NA OLEJ Ø66.8X84	
8	56554	1	O-RING 14.0x1.78 ARP AS 568 A NBR70	
9	107141967	1	D-BEARING COVER COMPLETE NA5.2	[1]
10	107141982	1	OIL PLUG W/O-RING AND MAGNET NA5.2	
11	107144142	1	SCREW KIT PUMP NA5	
12	107141971	1	KRZYWKA 12 DEG.	
12	107141973	1	WOBBLE DISC 10.2 DEG. BEARING KIT NA5.2	
12	107141974	1	WOBBLE DISC 9.85DEG.BEARING KIT NA5.2	
12	107141975	1	WOBBLE DISC 9.15DEG.BEARING KIT NA5.2	
12	107141976	1	WOBBLE DISC 8.4DEG.BEARING KIT NA5.2	
13	32964	4	SCREW M10X30	
14	4827	4	WASHER 10.5X2.5	
15	107318091	1	VIBRATION DAMPER M8	
16	19639	1	PARALLEL KEY 8X7X25 A DIN 6885 St	
17	G120414	1	OIL SEALING RING Ø30XØ47X7	
18	101118003	1	CAPACITOR 100UF KIT	
19	101118004	1	CAPACITOR 40UF KIT	
20	10028	1	SRUBA KA50X14 WN1411	
21	301000782	1	POKRYWKA	
22	17106	1	WSTAWKA	
23	301000781	1	PUSZKA ELEKTRYCZNA	
24	301000845	1	USZCZELKA SKRZYNKI EL.100.50X114X1MM	
25	101117839	1	TERMINAL PLUG AND TERMINAL PINS	
26	107141951	1	MOTOR 4KW 200/3/50-60	
26	107141955	1	MOTOR 5.2 KW/220/1 60HZ 5-52 US	
26	107141978	1	MOTOR 6.7 KW 220-400/440/3 50/60HZ - EU	
26	107141979	1	MOTOR 5.5 KW 220/230/400/440/3/50/60 EU	
27	107141692	1	REDUCTION COUPLING 1/2 TO 3/8 SPARE PART	

Part Notes:

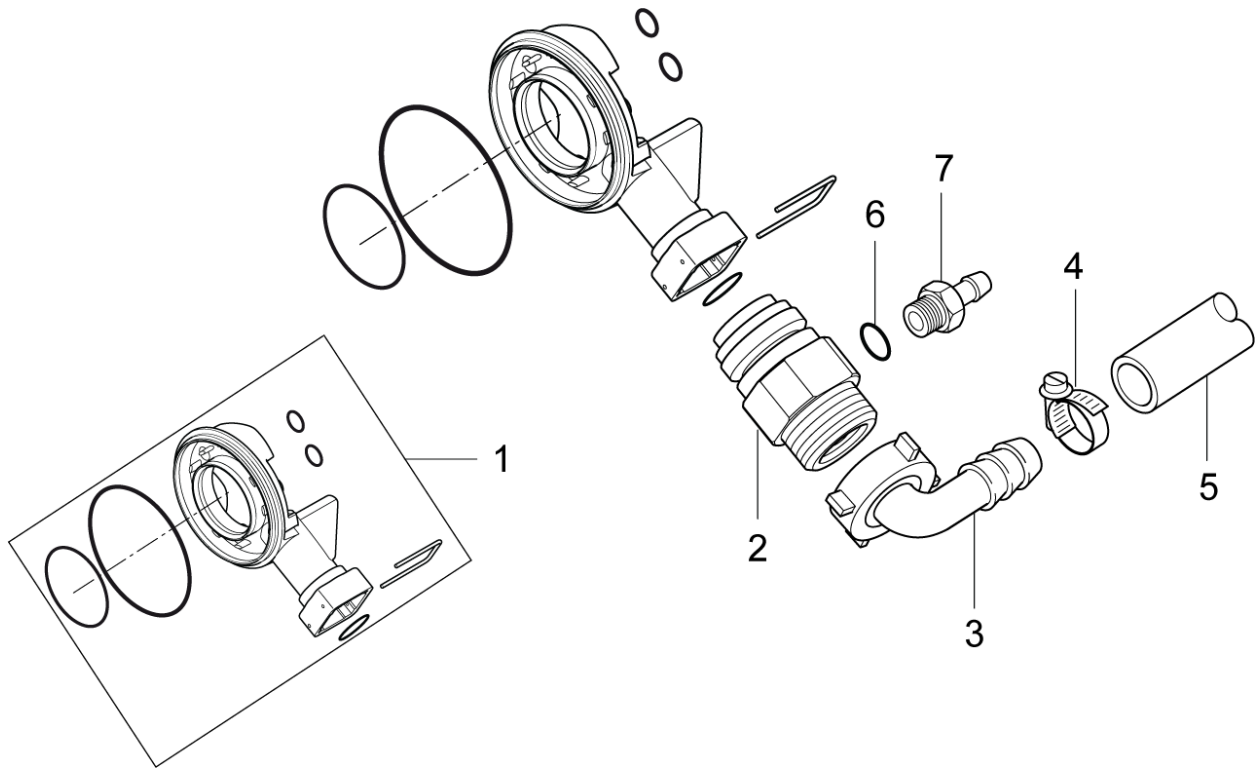
[1] - TSB-PPW-2015-002 NA5.2 Pump Information



Pos.	Numer Produktu	ilość	Opis	Notes
1	107144100	1	ZESTAW NAPR.ZAWORÓW NA5	
2	101118097	1	USZCZELNIENIE	
3	107144102	1	ZESTAW USZCZELNIEŃ NA5	
4	107144103	1	ZESTAW TŁOKÓW	
5	107144104	1	SPRING KIT - NA5	
6	107141983	1	CYLINDER BLOCK W/O-RING NA5.2	[1]
8	107141727	3	WASHER 20x13x2 ISO7092 ZINC PLATED	[1]
9	107141513	3	ŚRUBA M12X65 12.9	[1]
10	107140919	1	SUPPORT RING NA5 SPARE VPE 3	
11	107141968	3	CYL.SCREW M12X80 WITH NORDLOCK WASHER	[1]
12	107141969	3	WASHER NLX12SP ?12.5X?19.5X3.5MM	[1]
13	107141985	1	CYLINDER HEAD NA5.2 W. SCREWS & WASHERS	[1]
14	101118096	1	NA5 PUMP KIT	[2]

Part Notes:

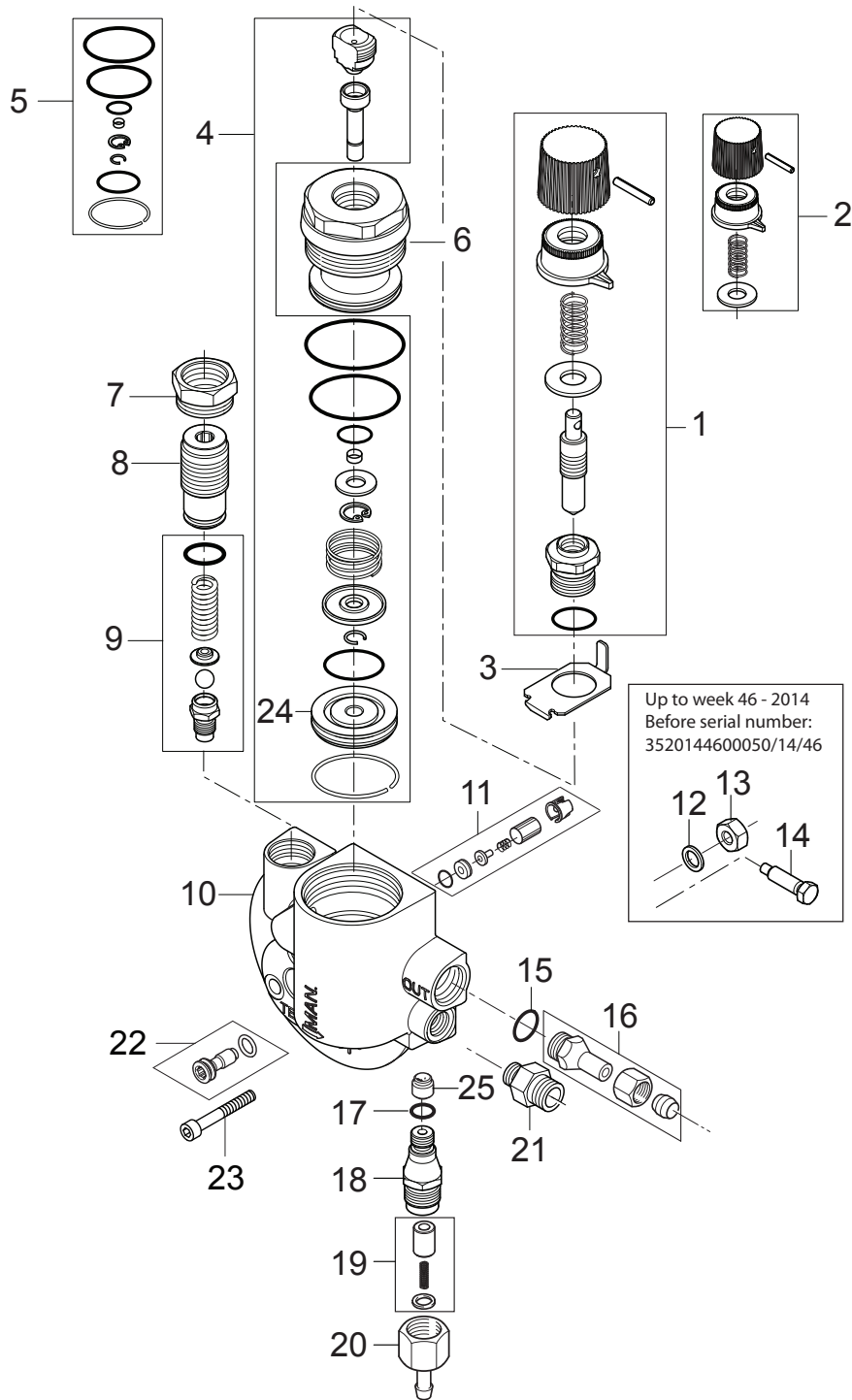
- [1] - TSB-PPW-2015-002 NA5.2 Pump Information
- [2] - PRUNED-NO REPLACEMENT



Pos.	Numer Produktu	ilość	Opis	Notes
1	101117929	1	PRZEPUST WODY NEPTUN	[1]
2	101117877	1	ZASYSA CZ	
3	5613	1	HOSE NOZZLE Ø16 90 DEGREE 3/4 INCH KU	
4	9262	1	HOSE CLIP 12-20	
5	31000569	1	SUCTION HOSE D22x295 NR/SBR SH65	
6	3000296	1	O-RING 7.1 X 1.6 DIN 3770 NBR70	
7	101117778	1	SUCTION FITTING FOR AXR	
7	101117953	1	SUCTION FITTING D2.0	[2]

Part Notes:

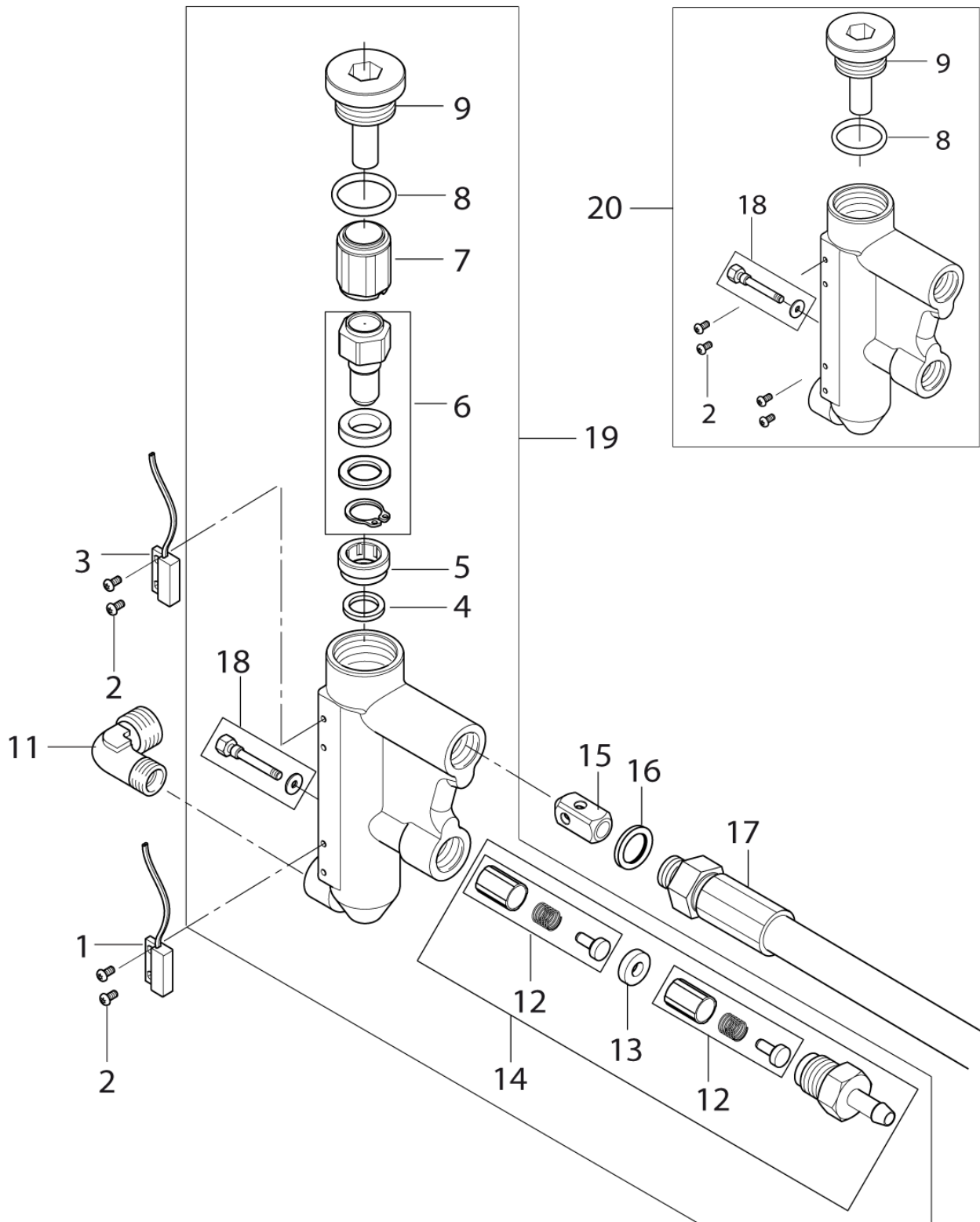
- [1] - TSB-PPW-2015-003 Water Inlet, 101117929 and 107144109 for NA5 pumps does not fit on NA5.2 pump
 [2] - 4-25 EU and 4-28 AU, NZ



Pos.	Numer Produktu	ilość	Opis	Notes
1	6200561	1	REGULATING OF WATER CAPACITY	
2	6008041	1	VALVE HANDLE COMP.	
3	101117883	1	STOP BRACKET FOR NA5 UNLOADER	
4	1118546	1	ZESTAW NAPRAWCZY	
5	101117884	1	SEALING KIT FOR REGULATOR	
6	6150642	1	BOTTOM SCREW	
7	6100928	1	NAKRETKA	
8	6100940	1	ŚRUBA REGULACYJNA	
9	1118512	1	ZESTAW NAPRAWCZY	
10	107144410	1	BY PASS VALVE HOUSING	[1]
11	101118159	1	BY PASS VALVE KIT - NEPTUNE 4/5	[1]
12	3001377	1	HEAD GASKET Ø11.9XØ4.9X1.27	[2]
13	6150680	1	LOCK NUT	[2]
14	101117887	1	SRUBA	[2]
15	1801075	1	PIERŚCIEŃ USZCZ. 23.8X17.2X2 3/8	
16	6220554	1	NYPEL	
17	3000296	1	O-RING 7.1 X 1.6 DIN 3770 NBR70	
18	101117890	1	HOUSING FOR VENTING VALVE	
19	1119317	1	VENTING VALVE REP.KIT	
20	6221529	1	COVER FOR VALVE HOUSING	
21	1821	1	ZŁĄCZE	
22	107144137	1	ZŁĄCZE ZAWORU ODCIĄŻ. NA5	
23	107144142	1	SCREW KIT PUMP NA5	
24	107141735	1	TŁOK	
25	107144412	1	NOZZLE 2 DOT F. NA5 FA UV D1.88	[3]
25	107144413	1	NOZZLE 3 DOT F. NA5 FA UV D1.99	[4]
25	107144415	1	NOZZLE 4 DOT F. NA5 FA UV D2.29	[5]

Part Notes:

- [1] - TSB-PPW-2014-011 NEPTUNE 4 - 5 FA By-Pass Valve Changes
- [2] - Up to week 46 2014
- [3] - 5-44, From week 46 2014
- [4] - 5-50, From week 46 2014
- [5] - 5-61, From week 46 2014



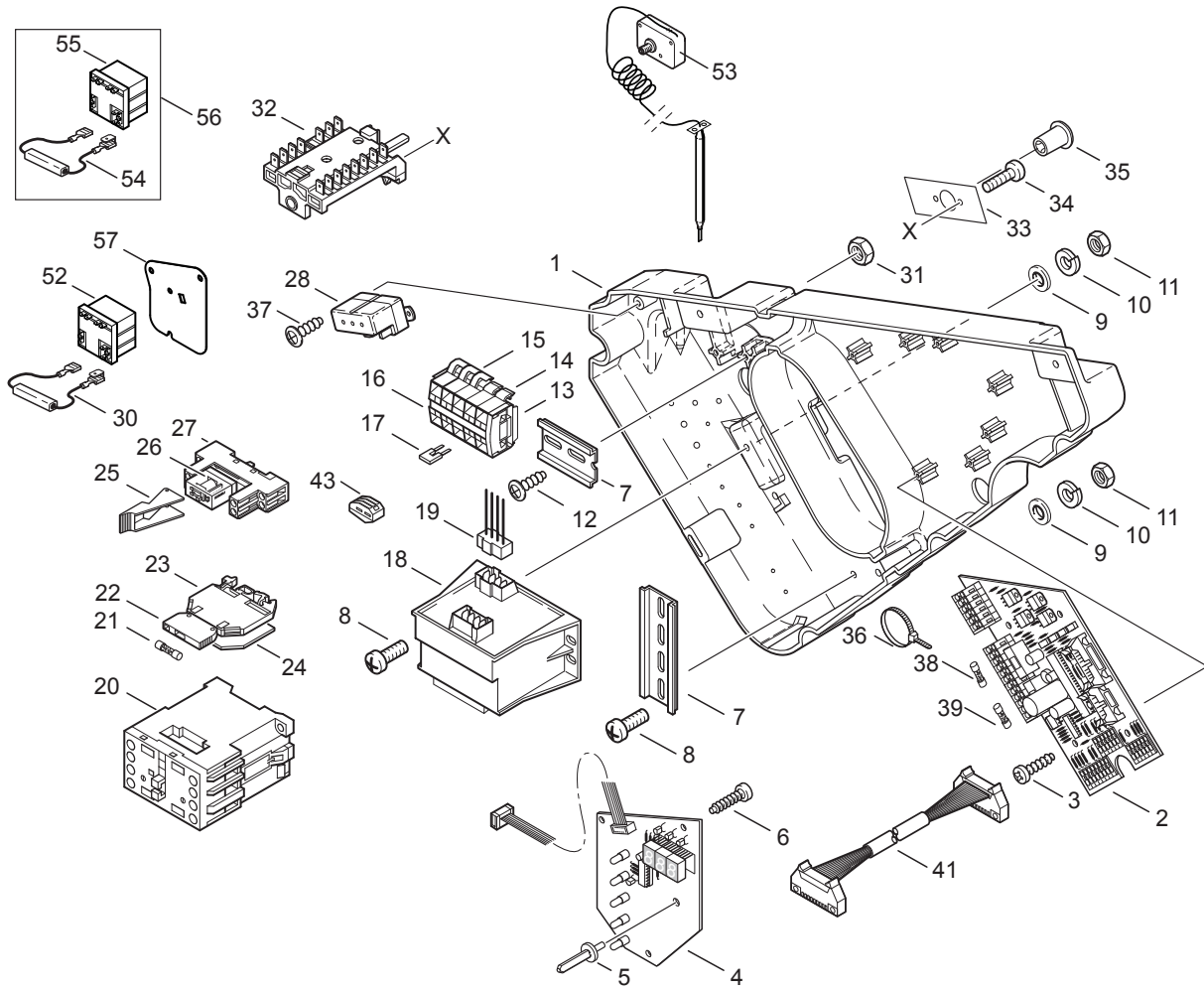
Resource notes:

-> 48.2010. SEE TSB-PPW-2010-028TSB-PPW-2010-028 Flow control

Pos.	Numer Produktu	ilość	Opis	Notes
01	101117891	1	MICRO SWITCH N/C	
02	101118033	4	SCREW M3X6 BRASS DIN 84 ISO 1207 KIT	
03	101117800	1	WŁĄCZNIK	
04	3001112	1	O-RING 10.0X3.0 NITRIL 70SH	
05	6201534	1	SEAT	
06	101117896	1	ZAWÓR ZWROTNY	
07	6350454	1	PISTON	
08	3000825	1	O-RING 20.24X2.62 NITRIL 70SH	
09	101117899	1	PLUG FOR FLOW CONTROL	
11	1603119	1	KOLANKO	
12	1119566	2	ZAWÓR ZWROTNY	
13	6201535	1	SEAT	
14	1119318	1	ZESTAW NAPRAWCZY	
15	6101038	1	TŁOK	
16	1801075	1	PIERŚCIEŃ USZCZ. 23.8X17.2X2 3/8	
17	101117907	1	HOSE DN8X700	
18	101118010	1	SCREW KIT FOR FLOW CONTROL	[1]
19	101118012	1	FLOW CONTROL COMPLETE KIT	[1]
20	101118032	1	FLOW CONTROL REPLACEMENT KIT	

Part Notes:

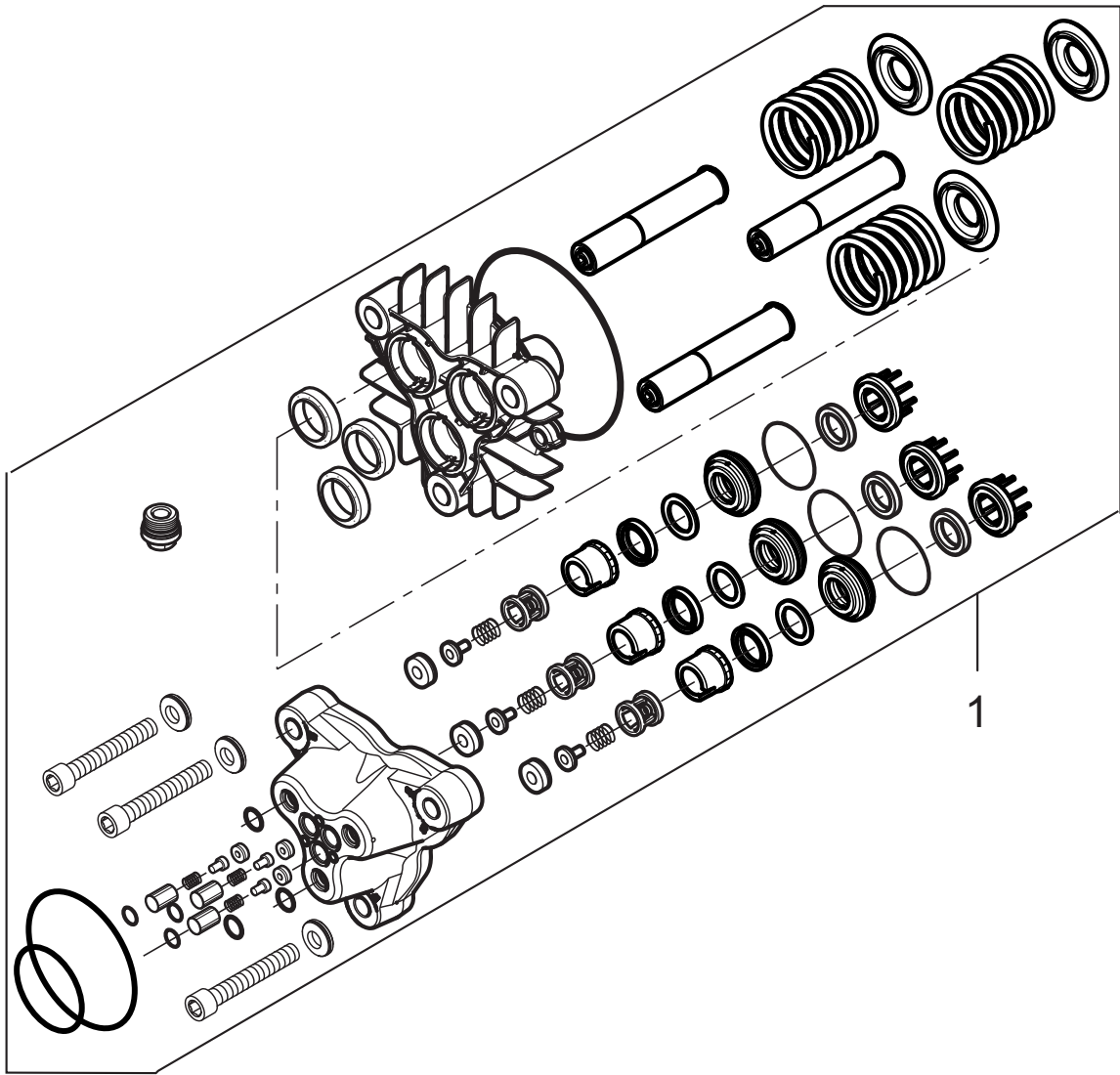
[1] - See note



Pos.	Numer Produktu	ilość	Opis	Notes
01	301000679	1	ASSEMBLY PLATE	
02	301002123	1	MICROPROCESSOR	
02	301000680	1	MAIN CIRCUIT BOARD	
03	1805175	4	SCREW 3X12	
04	301000678	1	DISPLAY CIRCUIT BOARD	
05	301000636	1	AXLE 15X43.5 PP	
06	11254	3	SCREW 3.5X10 WN1411	
07	22290	1	MOU. RAIL TS35/F6 7.5 18X5.2 EN60715 ZN	
08	15146	4	RAISED DOME HEAD SCREW M5X12 H DIN 7985	
09	2763	4	WASHER 5.3X1	
10	1813773	4	SERRATED LOCK WASHER	[1]
11	2760	4	NUT M5 ISO 4032 ZN	
12	16860	1	SCREW 4X12	
13	301000689	1	END PLATE GREY 4MM TYP 264	
14	301000688	1	WIRE TERMINAL 4X2.5MM	
15	301000686	2	WIRE TERMINAL 4X2.5mm TYPE 264	
16	301000687	2	WIRE TERMINAL 2X2.5MM	
17	301000683	1	JUMPER	
18	101117724	1	POWER TRANSFORMER 230/400-24/8V T70	
18	301001060	1	TRANSFORMER 115AT 200V 2	
18	301001059	1	TRANSFORMER 220AT 460V 24	
19	301002463	1	CABLE H07V-K 4-POLE	
19	301000722	1	WIRE H07V-K 4-POL. AEH US	
20	103822306	1	CONTACTOR CJX2-D18 18A 24V 3P+NO	
20	103822317	1	CONTACTOR CJX2-D32 32A 24V 3P+NO	
20	103822313	1	CONTACTOR CJX2-D25 25A 24V 3P+NO/US	
21	3812385	1	FUSE D5x20 6.3A VISCOUS US	
22	3807914	1	FUSE HOLDER	
23	3807906	1	TERMINAL STEIP WK4	
24	301000734	1	END PLATE	
25	301000684	1	RELAY HOLDER35X25X16	
26	26817	1	ALL-OR-NOTHING RELAY	
27	41573	1	SOCKET F. RELAY	
28	11060	1	STARTER RELAY 220V AC	
30	301000402	2	RESISTANCE 15KOHM/7W	
31	2758	1	HEXAGON NUT M8	
32	301000293	1	SWITCH START/TRIANGLE 16	
33	64787	1	LABEL 220-440V CHANGE-OVER 74X28	
33	64586	1	LABEL 230-400V CHANGE-OVER 74X28	
34	40045	2	PAN HEAD SCREW M4X30	
35	64580	1	ROTARY KNOB	
36	15147	1	CABLE STRAP 3.5X1.3X175	
37	16860	1	SCREW 4X12	
38	103821729	1	FUSE 5X20 2A T 250V	
39	24499	1	FINE-WIRE FUSE	
41	301001995	1	WIRE 16-POL. 1.3M TUBEFLEX-Y	
43	301002165	2	CAGE CLAMP TERMINAL 5POL WAGO 222-415	
43	301001229	1	SNAP-ON CLIP 3X4QMM 400V 24A GREY	[2]
52	103822214	1	STARTER RELAY HOTWATER RVAH4AH3D	[3]
53	101117723	1	WŁĄCZNIK	
54	107141730	1	DISCHARGE RESISTOR 15KOHM/7W	[4]
55	107141729	1	START RELAY RVAH4AH3C	[4]
56	101118127	1	START RELAY KIT FOR NP5-50 FAX US	[4]

Part Notes:

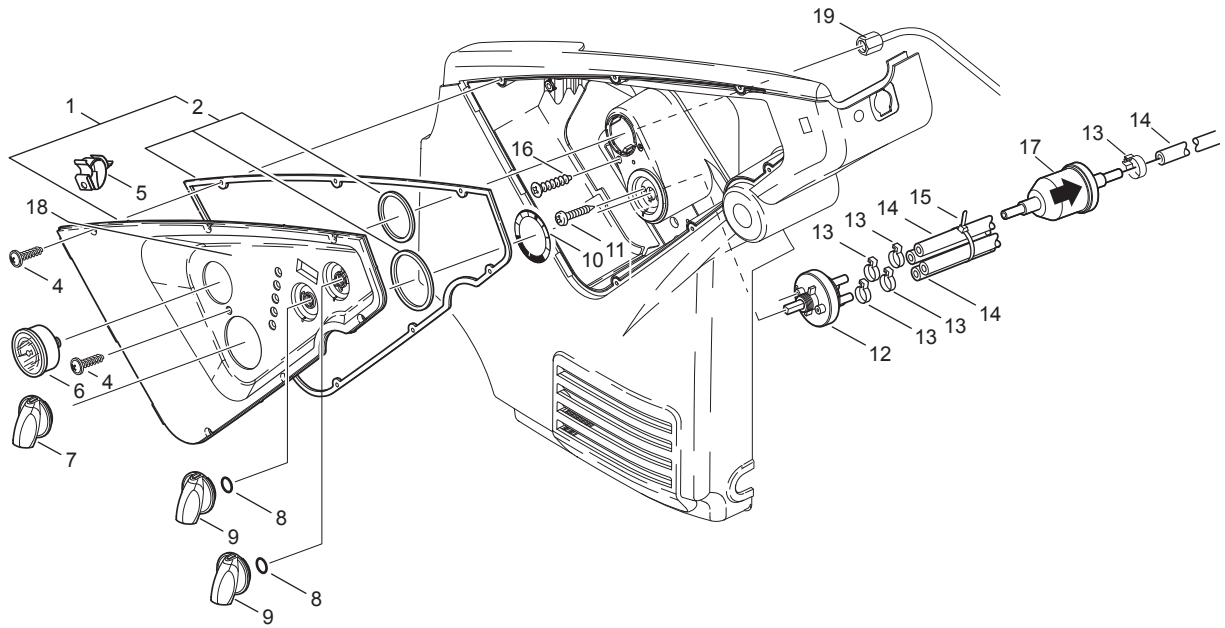
- [1] - CLOSED WHEN STOCK EMPTY
- [2] - JP
- [3] - US 5-45
- [4] - 5-50, 230V/1/60 30A US



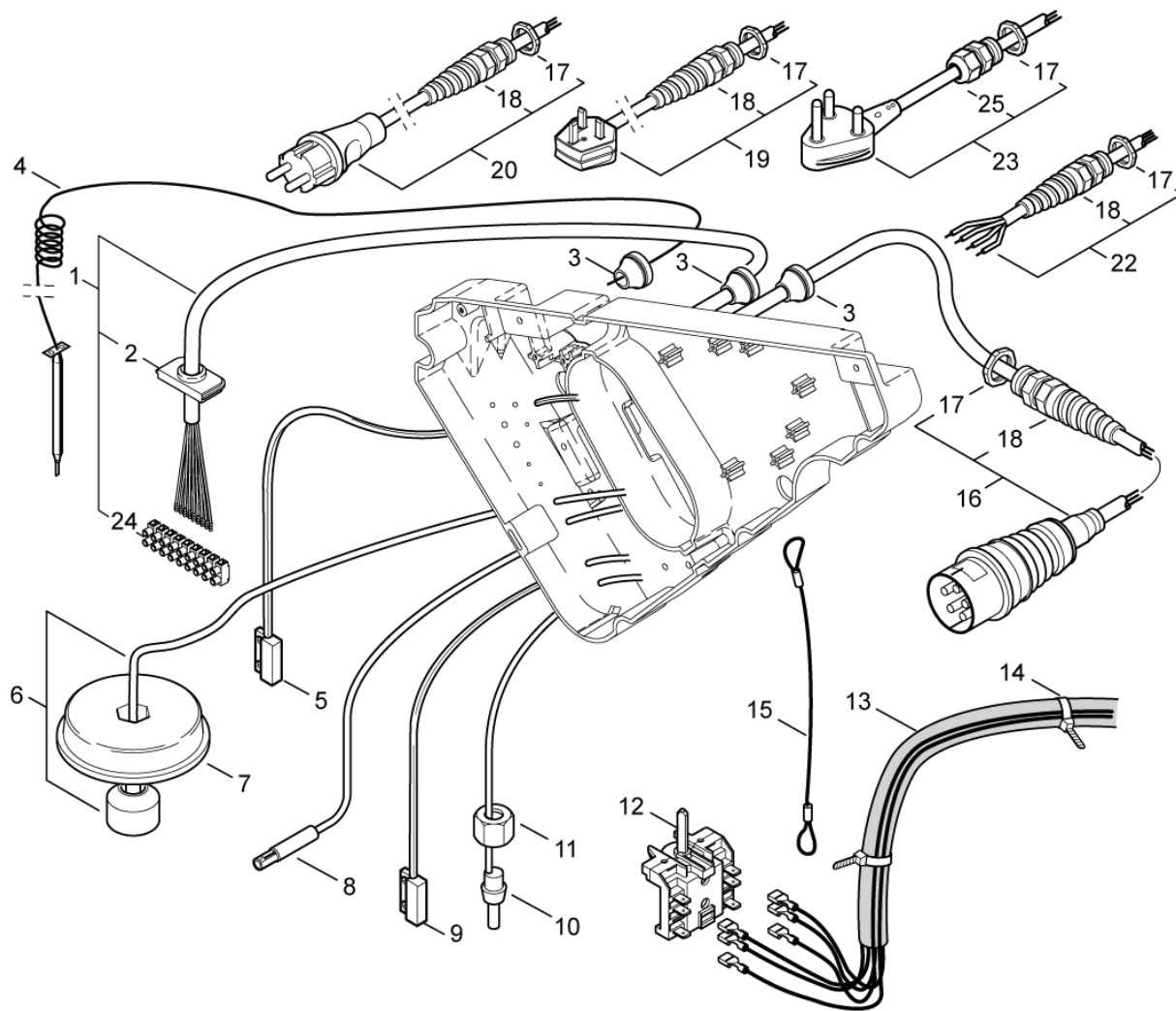
Pos.	Numer Produktu	ilość	Opis	Notes
1	101118096	1	NA5 PUMP KIT	[1]

Part Notes:

[1] - PRUNED-NO REPLACEMENT



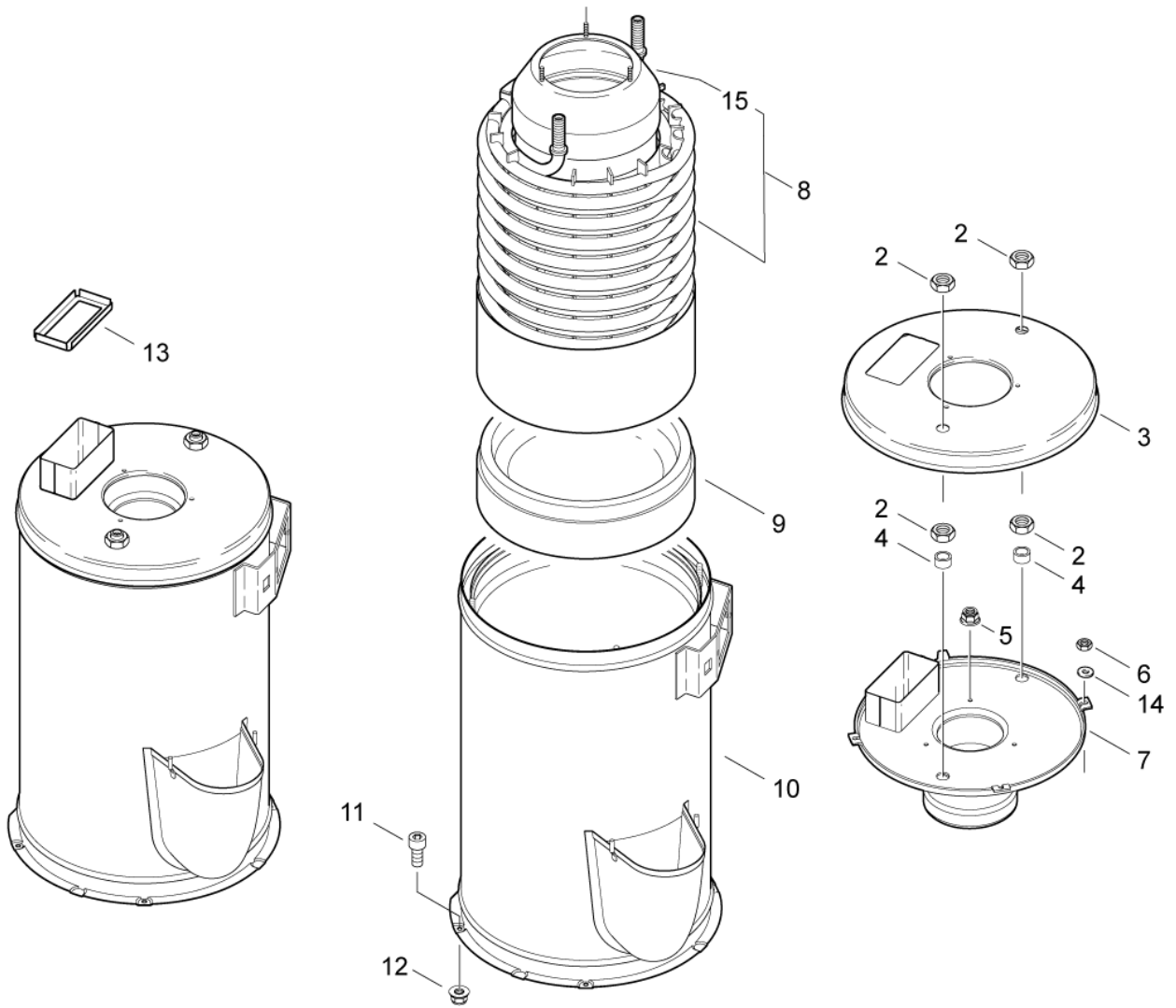
Pos.	Numer Produktu	ilość	Opis	Notes
01	301001095	1	COVER COMPLETE	
02	301000970	1	KIT GASKET	
04	1814614	6	ŚRUBA K50X18 Wn1451 A2	
05	301001075	1	WIRE HOLDER D22X38X16	
06	49473	1	MANOMETER 0-315 BAR G1/4 NG50	
07	909100207	1	ROTARY KNOB 6X6+8X8 PP	
08	9868	2	O-RING 10.2X2.5 NBR 70	
09	909100206	2	ROTARY KNOB D6X5 BLUE	
10	301000786	1	LABEL	
11	1814730	2	SCREW 35X10B W1423	
12	301001000	1	ZAWÓR	
13	11654	4	KLAMRA	
14	101406100	1	HOSE DN 6X3 5M	
15	8819	1	CABLE STRAP 4.5X1X350	
16	11253	2	SCREW 5X20 WN1413	
17	301002926	1	FILTR	
18	301000785	1	LABEL SWITCH BOX NEPTUNE 5+7 PC	
19	60141	1	WAŻ	



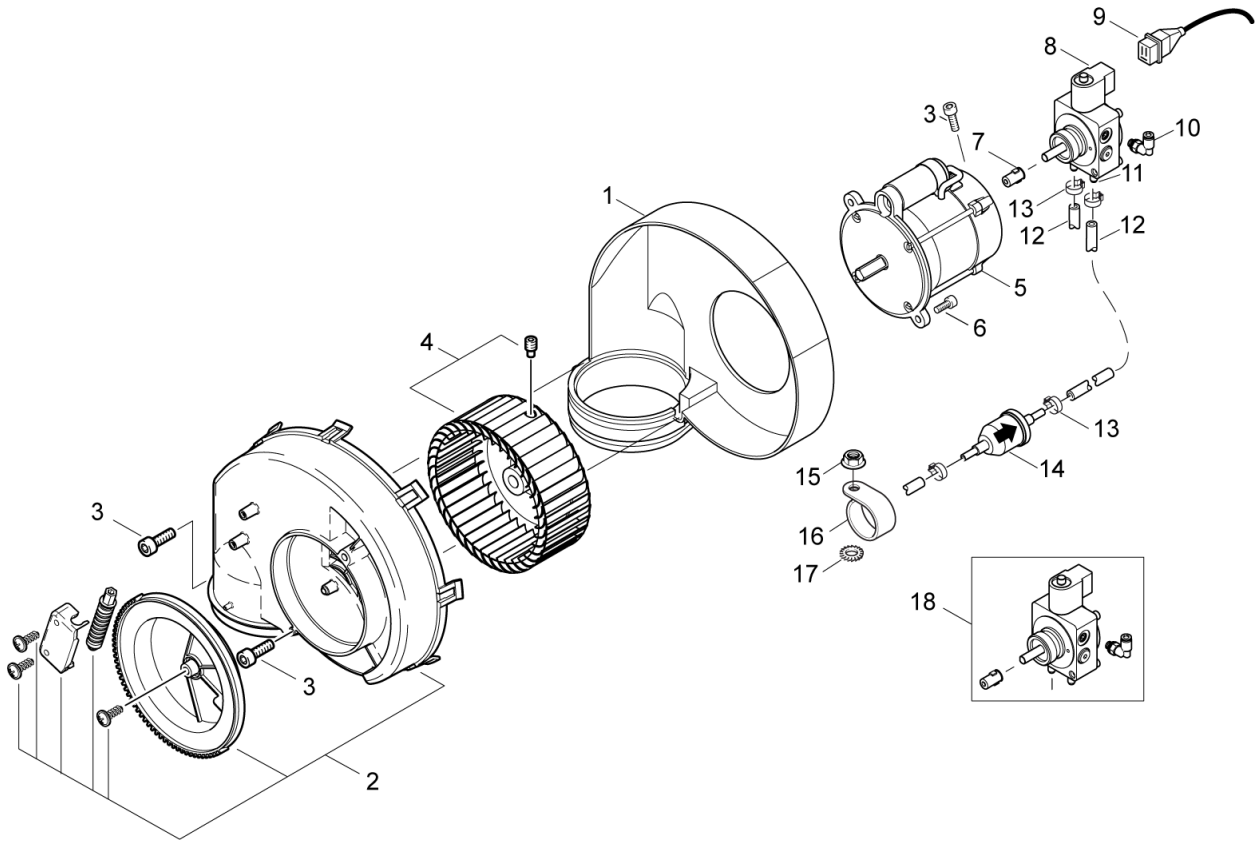
Pos.	Numer Produktu	ilość	Opis	Notes
01	101117846	1	MOTOR CABLE 9-WIRE 1PH AWG14	[1]
01	101117849	1	NEPTUNE MOTOR CABLE 9-WIRE 3PH 1.5MM2	
01	101117848	1	NEPTUNE MOTOR CABLE 7-WIRE 1PH 1.5MM2	
01	101117851	1	NEPTUNE MOTOR CABLE 9-WIRE 3PH 1.5MM2	[2]
02	17106	1	WSTAWKA	
03	3803798	2	RUBBER SEAL 14-20C	
03	3803780	2	PRZEPUST 10-14C	
04	101117723	1	WŁĄCZNIK	
05	101117800	1	WŁĄCZNIK	
06	301001196	1	CZUJNIK POZIOMU OLEJU	
07	301000615	1	POKRYWA	
08	301000729	1	CZUJNIK PŁOMIENIA	
09	101117891	1	MICRO SWITCH N/C	
10	301000730	1	CZUJNIK TEMPERATURY	
11	1081	1	NAKRĘTKA L12 DIN 3870-A ST/ZN	
12	28877	1	SWITCH 10A 400V AC	
13	301000719	1	CORD TRANSFORMER 230AT 4G	
13	301000721	1	CORD TRANSFORMER 4G1.5	
13	301000720	1	CORD TO TRANSFORMER 400V	
14	8819	5	CABLE STRAP 4.5X1X350	
15	301001091	1	ROPE D1.2X365	
16	301001992	1	POWER CORD H07BQ-F 3G4X6.0 CEE 32A4H	
16	301000834	1	POWER CORD H07RN-F4G1.5X6	
17	909100020	1	HEXAGON THIN NUT M25X1.5 EN 50262 PA	
17	909100019	1	NAKRĘTKA M20X1.5 EN 50262	
18	909100198	1	SCREWED CABLE GLAND M25X1.5	
18	909100043	1	OSŁONA PREWODY EL. M20X1.5	
19	301000912	1	POWER CORD H07RN-F 3G1.5X6.0	[3]
19	301000830	1	POWER CORD H07RN-F 3G1.5	[4]
20	301000829	1	POWER CORD H07RN-F 3G1.5X6.0	
22	301000833	1	POWER CORD H07RN-F 4G2.5X6.0	[5]
22	301001384	1	POWER CORD VCT 4X3.5X10,8M W/O PLUG AEH	[6]
22	301000834	1	POWER CORD H07RN-F4G1.5X6	[7]
22	301001466	1	POWER CORD SJOW AWG12/4X11	
23	301000407	1	POWER CORD SJOW AWG10/3X9.0	[8]
24	101117839	1	TERMINAL PLUG AND TERMINAL PINS	
25	107141571	1	CABLE GLAND KIT	[9]

Part Notes:

- [1] - 1x220V 60Hz US
- [2] - 220-440V 60Hz
- [3] - GB
- [4] - GB 1x230V 50Hz
- [5] - 3x230-400V 50Hz BE, NO, 3x220-440V 60Hz KR
- [6] - JP
- [7] - 3x230V 50Hz EU
- [8] - US
STOCK COVERS GUARANTEE
- [9] - US



Pos.	Numer Produktu	ilość	Opis	Notes
02	7012	4	HEXAGON NUT M18X1.5	
03	301000534	1	BOILER COVER OUTER	
04	301000582	2	BUSHING Ø22X1.5X24	
05	12496	3	HEXAGON NUT M6	
06	12263	4	HEXAGON NUT M6	
07	301001838	1	BOILER COVER INNER	
08	301001098	1	COIL NEPTUNE 5	
08	301001341	1	COIL STAINLESS NEPTUNE	
09	301000916	1	INSULATION Ø320.5X89	
10	301000968	1	BOILER JACKET COMPLETE N5	
11	3913	4	SCREW M6X12	
12	12496	4	HEXAGON NUT M6	
13	301001224	1	SHUTTER PLATE FOR CHIMNEY	
14	2764	4	WASHER 6.4X1.6	
15	301000541	1	OSŁONA	

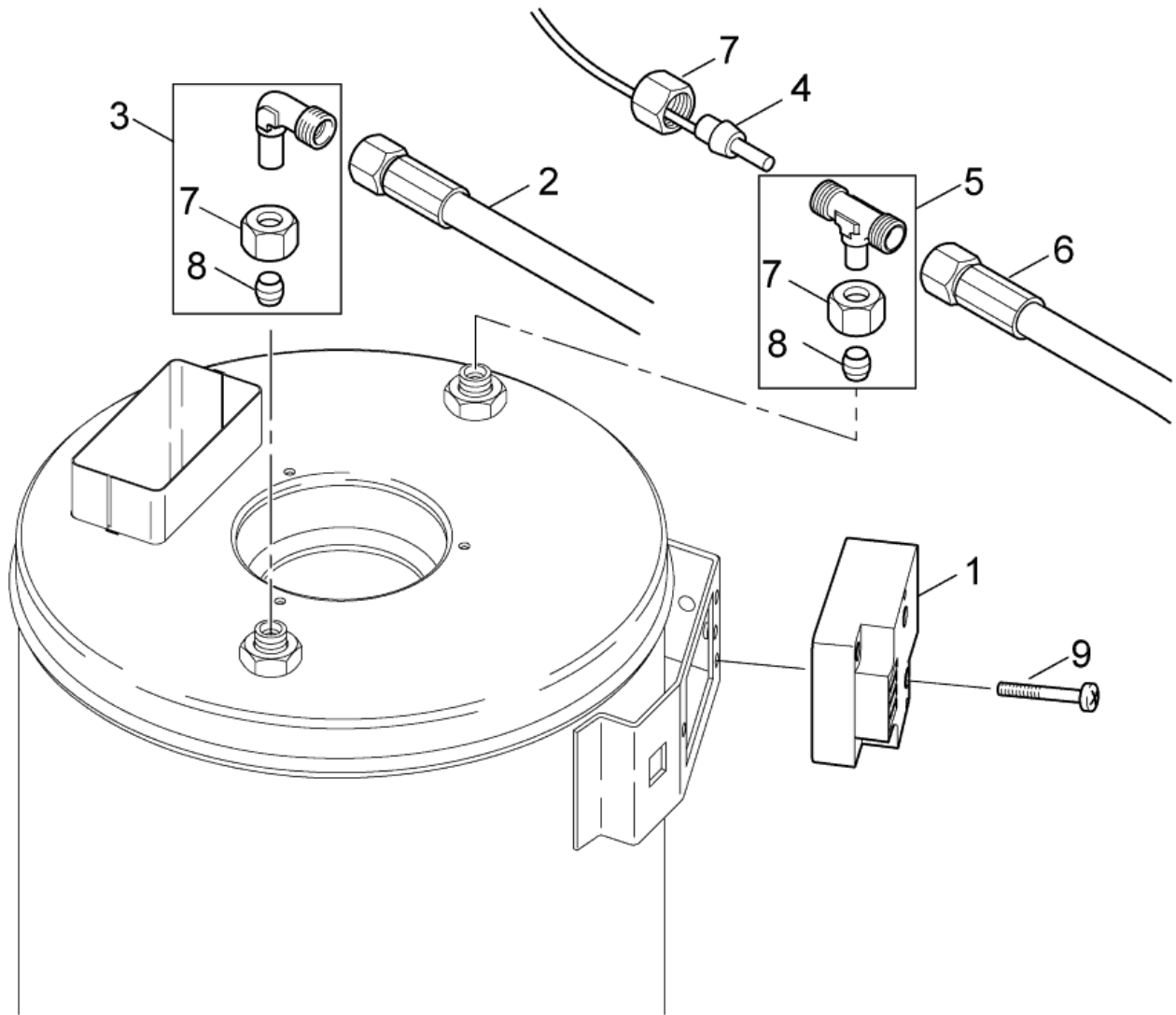


Pos.	Numer Produktu	ilość	Opis	Notes
01	301000495	1	FAN HOUSE	
02	301000852	1	COVER FOR FAN HOUSING	
03	32535	3	SCREW M5X16	
04	301000889	1	KOŁO WENTYLATORA	
05	301000880	1	BURNER ENGINE	[1]
05	301000881	1	MOTOR BURNER - 0.09KW/200-220V/50HZ/1PH	[2]
05	301000882	1	MOTOR BURNER - 0.18KW/230V/50HZ/1PH	
06	4697	2	SCREW M6X16	
07	101117707	1	COUPLING FOR OIL PUMP BFA 01 L3L	
08	3821089	1	CEWKA KPL.	
09	101117703	1	CABLE FOR OIL SOLONOIDE	
10	101117706	1	PUSH-IN ANGLE FITTING	
11	101117777	1	HOSE CONNECTIONS FOR OIL PUMP BFA 01 L3	
12	106408244	1	HOSE D6X2.5 - 5 METERS	
13	11654	2	KLAMRA	
14	301002926	1	FILTR	
15	12496	1	HEXAGON NUT M6	
16	101117705	1	HOLDER FOR FUEL FILTER	
17	7062	1	SERRATED WASHER A 6.4 DIN 6797 ZN	
18	101117673	1	POMPA PALIWA	

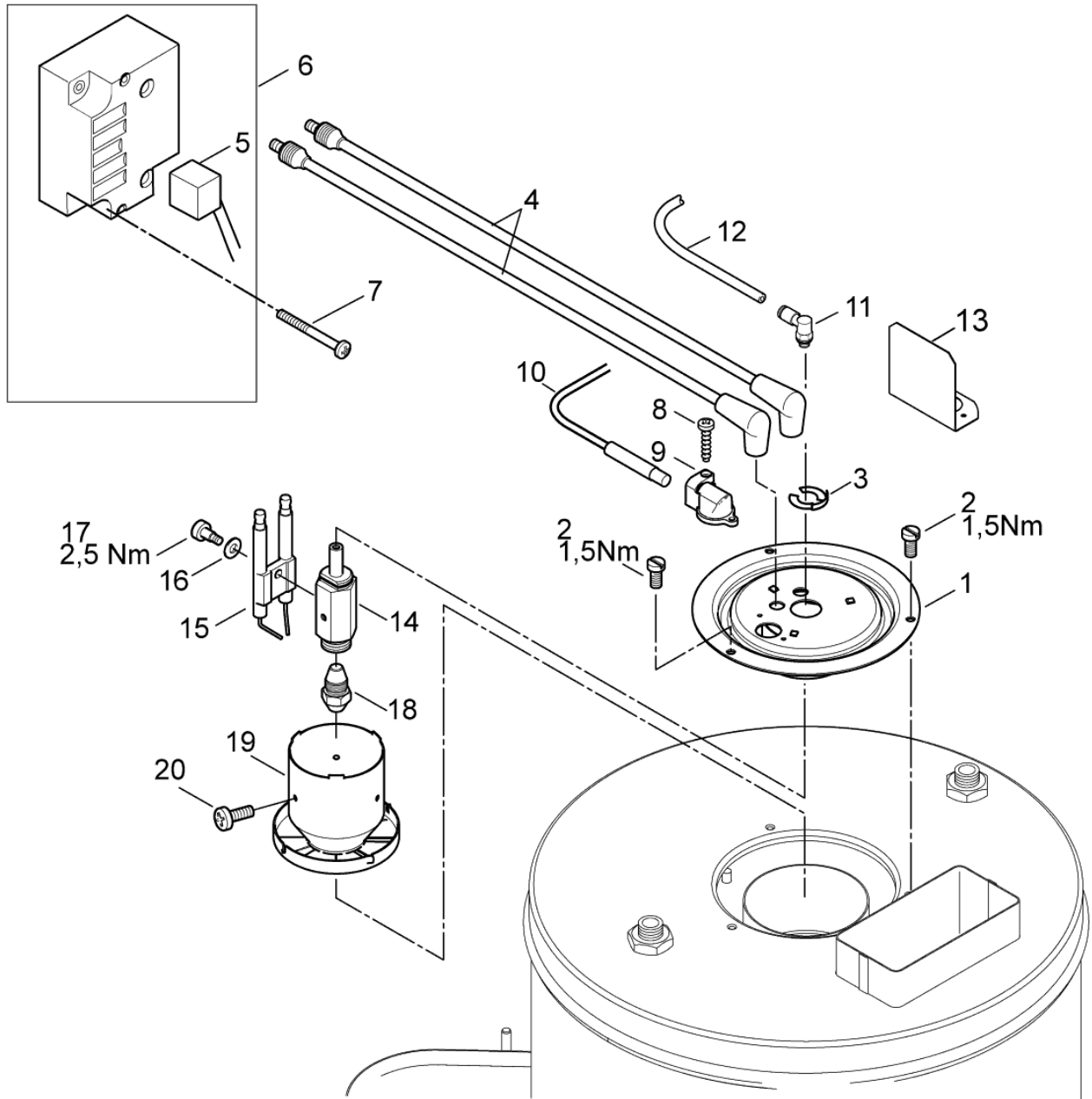
Part Notes:

[1] - 110/1/50 GB

[2] - JP, US, KR



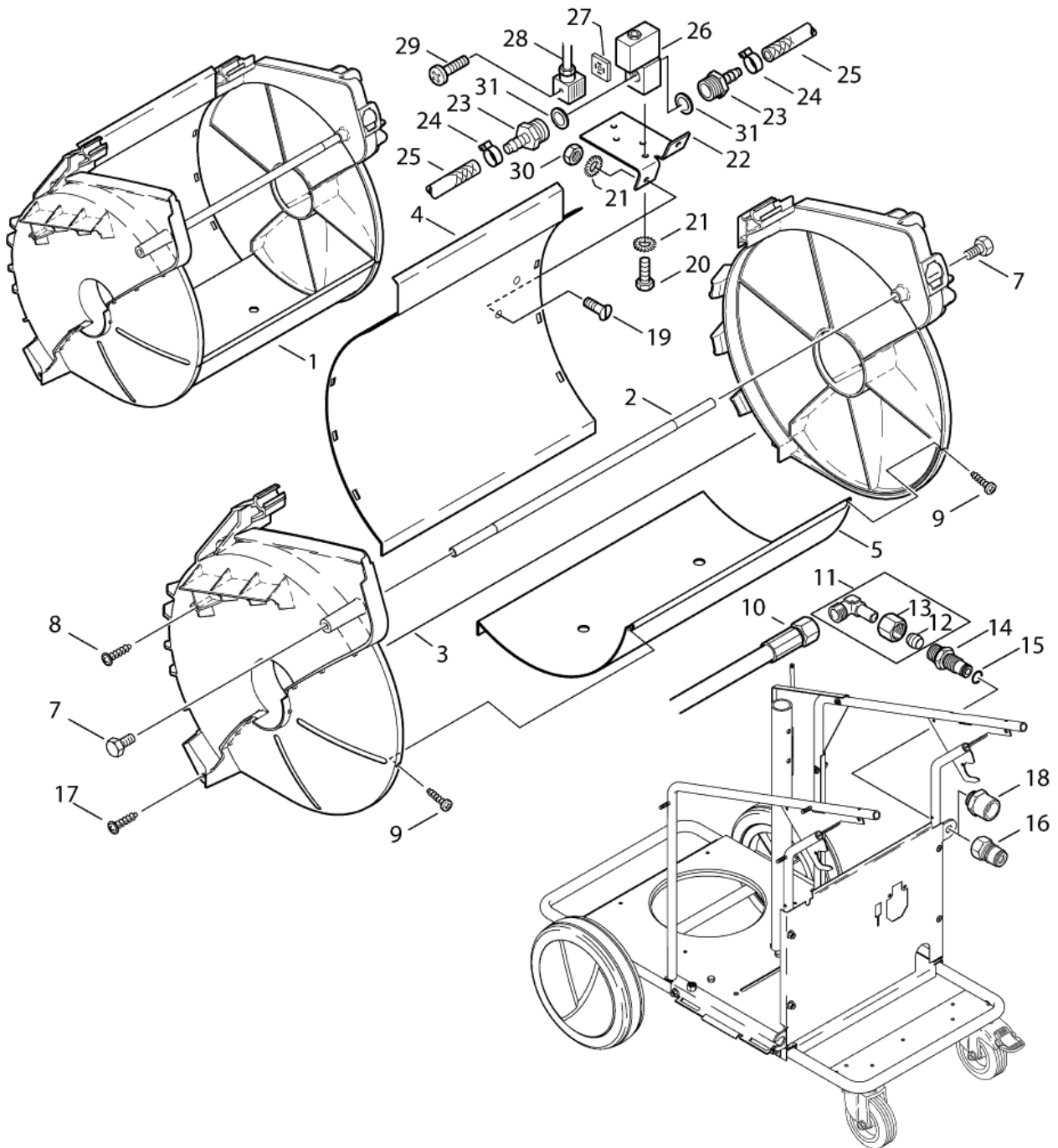
Pos.	Numer Produktu	ilość	Opis	Notes
01	101117759	1	IGNITION TRANSF 220-240 50-60 - DANFOSS	
02	101117907	1	HOSE DN8X700	
03	101118094	1	ZŁĄCZE M18X1.5	
04	301000730	1	CZUJNIK TEMPERATURY	
05	101118093	1	TROJNIK M18 X 1.5	
06	301000855	1	WAŻ D8X650	
07	1081	3	NAKRĘTKA L12 DIN 3870-A ST/ZN	
08	1080	2	PIERŚCIEŃ L12 B DIN 3861 ST/ZN	
09	42236	2	CYLINDER SCREW M5X45 ISO 1207 ZN	



Pos.	Numer Produktu	ilość	Opis	Notes
01	101117757	1	COVER FOR BOILER COMPLETE	
02	4820	3	SCREW M5X10	
03	101117876	1	CIRCLIPS	
04	101117760	1	PRZEWÓD 7X500	
05	101117756	1	PRIMARY CABLE FOR IGNITION COIL	
06	301002083	1	IGNITION TRANSFORMER 110-120 50-60	[1]
06	101117660	1	TRANSFORMATOR	
07	42236	2	CYLINDER SCREW M5X45 ISO 1207 ZN	
08	5606	1	SCREW 2.9X19	
09	301000934	1	HOLDER FLAMESENSOR	
10	301000729	1	CZUJNIK PŁOMIENIA	
11	101117913	1	ELBOW 4/M5 PUSH-IN	
12	909100141	1	RURKA Ø4X1 DIN 73378	
13	101117922	1	PLATE FOR FLAME SENSOR KIT	
14	101117915	1	OIL NOZZLE HOLDER	
15	301150009	1	ELEKTRODY	
16	909100144	1	SPRING WASHER B5	
17	909100143	1	PAN HEAD SCREW M4X 4.5	
18	301000886	1	OIL NOZZLE 1.75 GAL 60 DEGREES CuZn	[2]
18	301001068	1	FUEL NOZZLE 1.35GAL/H 60	[3]
19	301001834	1	AIR DISTRIBUTOR D94X59.2	
20	51848	3	OVAL HEAD SCREW M3X4	

Part Notes:

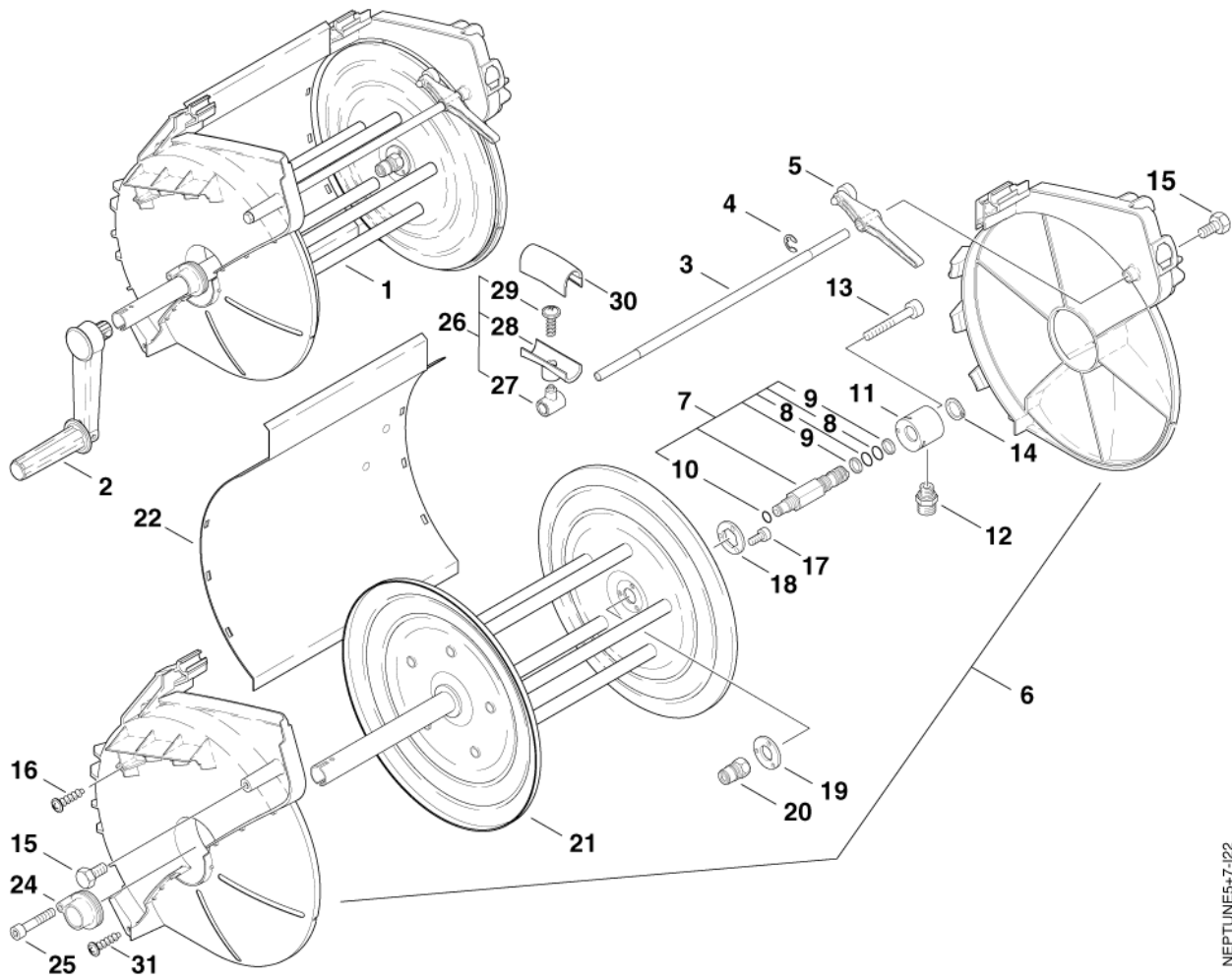
- [1] - (cable not included)
- [2] - 5-50, 5-61
- [3] - 5-47, SB



Pos.	Numer Produktu	ilość	Opis	Notes
01	301000708	1	BASKET	
02	301000668	1	GUIDE BAR Ø12X451	[1]
03	301001359	1	HOSE REEL CABINET LEFT/RIGHT	
04	301000602	1	SHEET METAL 390X262X142	
05	301000601	1	SHEET METAL 390X261X142	
07	6557	2	SCREW M8X16	
08	11565	2	SCREW 5X18 WN1411	
09	18086	1	SCREW 2.9X13	
10	301000855	1	WAŻ D8X650	[2]
10	301000856	1	HP-HOSE Ø 8X730	[3]
11	101118094	1	ZŁĄCZE M18X1.5	
12	1080	1	PIERŚCIEŃ L12 B DIN 3861 ST/ZN	
13	1081	1	NAKRĘTKA L12 DIN 3870-A ST/ZN	
14	301000627	1	ZŁĄCZE	
15	42768	1	O-RING 11.2x1.8 DIN 3771 NBR70	
16	1600493	1	ZŁĄCZE MĘSKIE ERGO 3/8"	
17	43341	2	SCREW 5X30	
18-31		1	Only SB models	[4]

Part Notes:

- [1] - NO LONGER AVAILABLE
- [2] - N5+7-25
- [3] - N7, NOT 7-25
- [4] - Only SB models

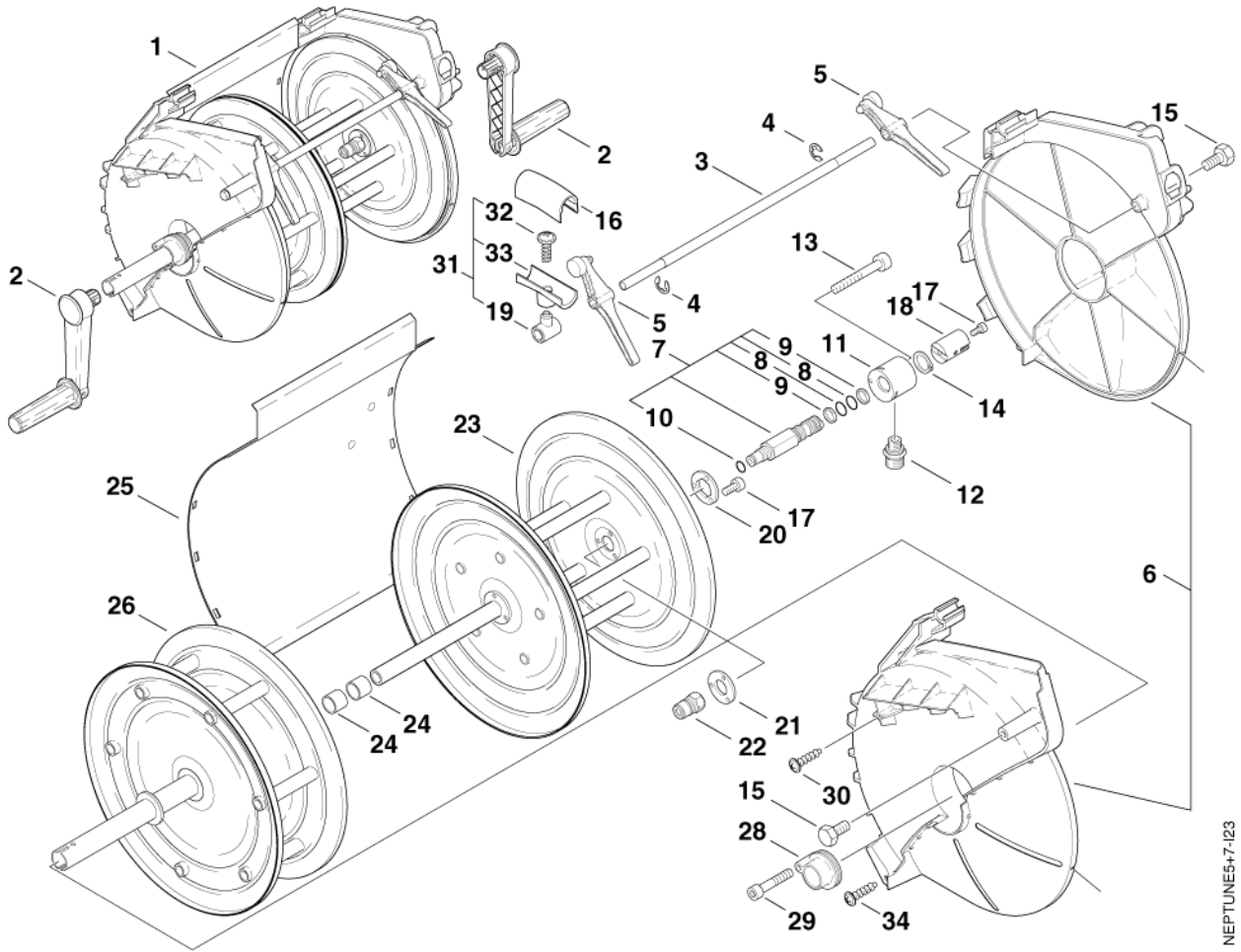


NEPTUNE5+7-122

Pos.	Numer Produktu	ilość	Opis	Notes
01	301000851	1	HOSE REEL 50M	
02	301000733	1	CRANK 190X175X45	
03	301000668	1	GUIDE BAR Ø12X451	[1]
04	1814466	1	SAFETY WASHER D9 A2 DIN 6799	
05	301000746	1	BRAKE FOR HOSE REEL	
06	301001359	1	HOSE REEL CABINET LEFT/RIGHT	
07	301001096	1	HP-HOISTING RING	
08	19620	2	O-RING 15.54x2.62 DIN 3771 NBR70	
09	63792	2	SUPPORTING RING 16.26X2.18	
10	42768	1	O-RING 11.2x1.8 DIN 3771 NBR70	
11	301000624	1	HOISTING RING HOUSING 45X4	
12	54590	1	FITTING XGE12L 1/4NPT	
13	5100	1	SCREW M6X45 ISO 4762	
14	32524	1	RETAINING RING 20X1.2	
15	6557	2	SCREW M8X16	
16	11565	2	SCREW 5X18 WN1411	
17	3913	3	SCREW M6X12	
18	301000653	1	PODKŁADKA Ø 45X4	
19	301000850	1	WASHER Ø2	
20	1600493	1	ZŁĄCZE MĘSKIE ERGO 3/8"	
21	301000698	1	HOSE REEL 50M	
22	301000602	1	SHEET METAL 390X262X142	
24	301000849	1	BEARING LEFT Ø 50X33	
25	5945	1	SCREW M6X30	
26	301000780	1	HOSE GUIDE 70X40	
27	301000672	1	HOSE GUIDE SLEEVE 33.2X2	
28	301000676	1	HOSE GUIDE SECTION LOWER	
29	10028	1	SRUBA KA50X14 WN1411	
30	301000674	1	HOSE GUIDE SECTION - UPPER 70X31.7X28.5	
31	43341	2	SCREW 5X30	

Part Notes:

[1] - NO LONGER AVAILABLE

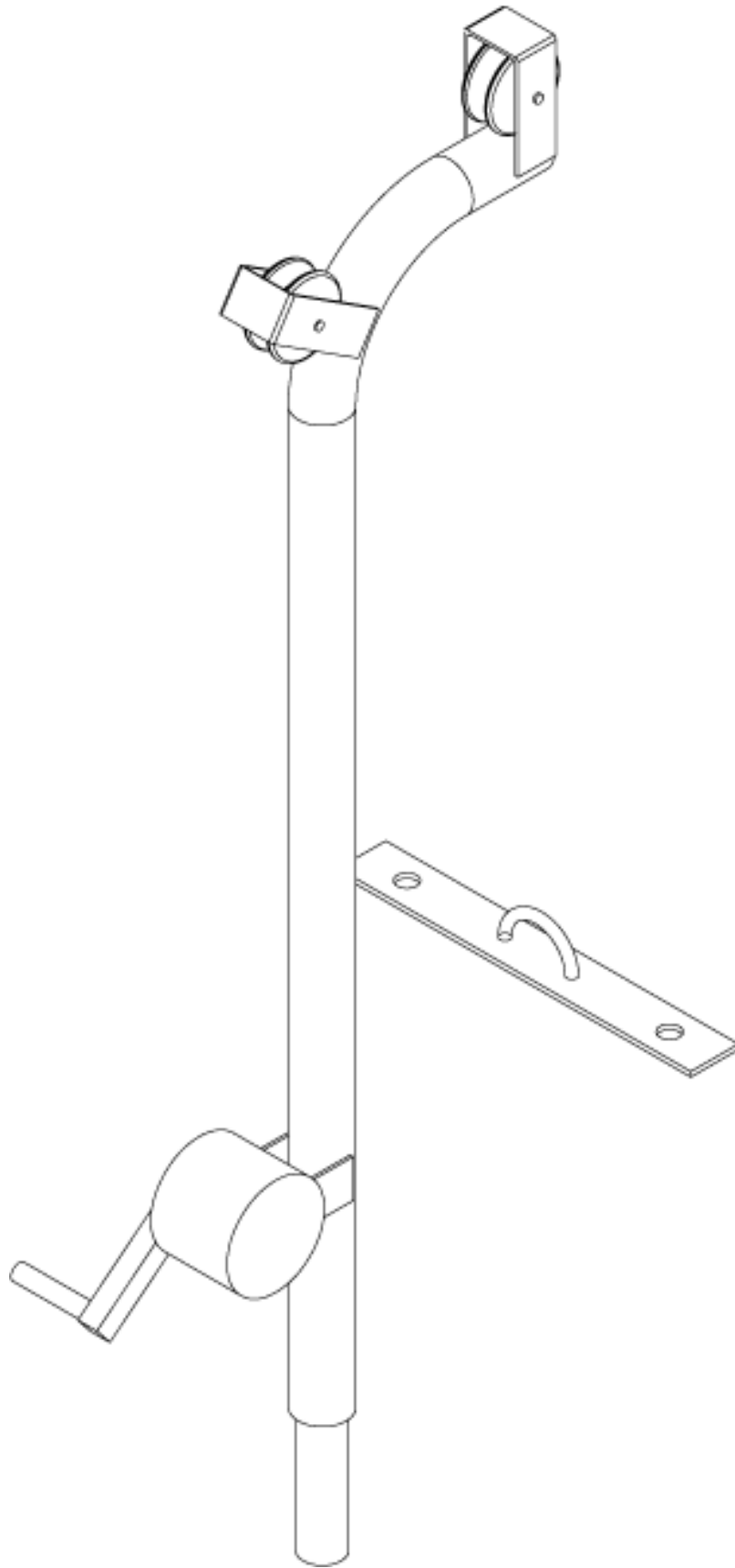


NEPTUNE5+7-123

Pos.	Numer Produktu	ilość	Opis	Notes
01	301001130	1	HOSE CORD REEL SET	
02	301000733	2	CRANK 190X175X45	
03	301000668	1	GUIDE BAR Ø12X451	[1]
04	1814466	2	SAFETY WASHER D9 A2 DIN 6799	
05	301000746	2	BRAKE FOR HOSE REEL	
06	301001359	1	HOSE REEL CABINET LEFT/RIGHT	
07	301001096	1	HP-HOISTING RING	
08	19620	2	O-RING 15.54x2.62 DIN 3771 NBR70	
09	63792	2	SUPPORTING RING 16.26X2.18	
10	42768	1	O-RING 11.2x1.8 DIN 3771 NBR70	
11	301000624	1	HOISTING RING HOUSING 45X4	
12	54590	1	FITTING XGE12L 1/4NPT	
13	5100	1	SCREW M6X45 ISO 4762	
14	32524	1	RETAINING RING 20X1.2	
15	6557	2	SCREW M8X16	
16	301000674	1	HOSE GUIDE SECTION - UPPER 70X31.7X28.5	
17	3913	4	SCREW M6X12	
18	301000625	1	ADAPTER Ø28X48	
19	301000672	1	HOSE GUIDE SLEEVE 33.2X2	
20	301000653	1	PODKŁADKA Ø 45X4	
21	301000850	1	WASHER Ø2	
22	1600493	1	ZŁĄCZE MĘSKIE ERGO 3/8"	
23	301000662	1	HOSE REEL 30M	
24	301001179	2	BEARING BUSHING 22X 24X2	
25	301000602	1	SHEET METAL 390X262X142	
26	301000654	1	CORD REEL Ø 351X363	
28	301000849	1	BEARING LEFT Ø 50X33	
29	5945	1	SCREW M6X30	
30	11565	2	SCREW 5X18 WN1411	
31	301000780	1	HOSE GUIDE 70X40	
32	10028	1	SRUBA KA50X14 WN1411	
33	301000676	1	HOSE GUIDE SECTION LOWER	
34	43341	2	SCREW 5X30	

Part Notes:

[1] - NO LONGER AVAILABLE



NEPTUNE5+7-124

Pos.	Numer Produktu	ilość	Opis	Notes
0-	301001078	1	SERVICE CRANE	

**No
Diagram
Available**

**Parts List
Only**

Pos.	Numer Produktu	ilość	Opis	Notes
-	106403123	1	PISTOLET ERGO 2000 VARIO PRESS	
-	106403122	1	PISTOLET ERGO 2000 Z OBROTNICĄ	
1	6101766	1	WAŻ 10 M 3/8IN DN10	
1	301001101	1	WAŻ 20 M 2 OPLITY ZŁĄCZE ERGO ŻEŃSKIE	
1	101405770	1	WAŻ Z OPLIEM 10 M ZŁĄCZE ERGO ŻEŃ	
1	1402072	1	WAŻ 20MT 3/8 DN10	
2	101119743	1	DYSZA TORNADO 0550 1/8"NPT neon green	
2	106403011	1	TORNADO PLUS 1000 ZAKRZYWIONA, BEZ DYSZY	
2	101119740	1	DYSZA TORNADO 0450 1/8"NPT light blue	
2	101119744	1	NOZZLE + INDICATION RING 0600	
2	106403035	1	LANCA UNIVERSAL PLUS LANCE 1080	
2	106403010	1	LANCA TORNADO PLUS 1120 ZAKRZYWIONA	
2	101119747	1	DYSZA TORNADO 0680 1/8"NPT grey	
3	301002411	1	SPRAY GUN ERGO 1000 VARIOPRESS	[1]

Part Notes:

[1] - REPLACED

**No
Diagram
Available**

**Parts List
Only**

Resource notes:

A-Parts. Wearing parts. Number of machines x1,2 B-Parts. Wearing parts. Number of machines x0,6 C-Parts:
Wearing parts. Number of machines x0,4 Not marked spare parts are "just in case parts"

Recommended spare parts

NEPTUNE 5-61 FA

2015.05.19

2015.02.13

Pos.	Numer Produktu	ilość	Opis	Notes
0A	63347	1	Zawór	
0A	3001112	1	O-RING 10.0X3.0 NITRIL 70SH	
0A	3812385	1	FUSE D5x20 6.3A VISCOUS US	
0A	107144125	1	PIERŚCIEN	
0A	6008041	1	VALVE HANDLE COMP.	
0A	301001078	1	SERVICE CRANE	
0A	301001000	1	ZAWÓR	
0A	1600493	1	ZŁĄCZE MĘSKIE ERGO 3/8"	
0A	301150009	1	ELEKTRODY	
0A	107141979	1	MOTOR 5.5 KW 220/230/400/440/3/50/60 EU	
0A	31000148	1	REAR BEARING COVER RF	
0A	301000881	1	MOTOR BURNER - 0.09KW/200-220V/50HZ/1PH	
0A	49473	1	MANOMETER 0-315 BAR G1/4 NG50	
0A	107141971	1	KRZYWKA 12 DEG.	
0A	301002926	1	FILTR	
0A	107141983	1	CYLINDER BLOCK W/O-RING NA5.2	
0A	301000615	1	POKRYWA	
0A	301000624	1	HOISTING RING HOUSING 45X4	
0A	19639	1	PARALLEL KEY 8X7X25 A DIN 6885 St	
0A	6200561	1	REGULATING OF WATER CAPACITY	
0A	3000296	1	O-RING 7.1 X 1.6 DIN 3770 NBR70	
0A	1814614	1	ŚRUBA K50X18 Wn1451 A2	
0A	301000680	1	MAIN CIRCUIT BOARD	
0A	24499	1	FINE-WIRE FUSE	
0A	107144102	1	ZESTAW USZCZELNIEŃ NA5	
0A	1118512	1	ZESTAW NAPRAWCZY	
0A	6201535	1	SEAT	
0A	31000150	1	REAR BEARING COVER EME	
0A	107144100	1	ZESTAW NAPR.ZAWORÓW NA5	
0A	107144124	1	FAN W/LOCK RING - EME	
0A	107144146	1	OLEJ DO POMPY 1X 1L	
0A	301000970	1	KIT GASKET	
0A	107144142	1	SCREW KIT PUMP NA5	
0A	107141969	1	WASHER NLX12SP ?12.5X?19.5X3.5MM	
0A	301001096	1	HP-HOISTING RING	
0A	101117707	1	COUPLING FOR OIL PUMP BFA 01 L3L	
0A	0	1		
0A	62877	1	SWIMMER Ø 55X60	
0A	301000636	1	AXLE 15X43.5 PP	
0A	301000882	1	MOTOR BURNER - 0.18KW/230V/50HZ/1PH	
0A	1119317	1	VENTING VALVE REP.KIT	
0A	107141985	1	CYLINDER HEAD NA5.2 W. SCREWS & WASHERS	
0A	909100173	1	O-RING 56.0X5.0 NBR70	
0A	31000149	1	REAR BEARING 6306 2Z C3 150 DEGREES RF	
0A	107141978	1	MOTOR 6.7 KW 220-400/440/3 50/60HZ - EU	
0A	31000151	1	REAR BEARING EME	
0A	1119566	1	ZAWÓR ZWROTNY	
0A	6350454	1	PISTON	
0A	107141968	1	CYL.SCREW M12X80 WITH NORDLOCK WASHER	
0A	3001377	1	HEAD GASKET Ø11.9XØ4.9X1.27	
0A	101118097	1	USZCZELNIENIE	
0A	107144104	1	SPRING KIT - NA5	
0A	9868	1	O-RING 10.2X2.5 NBR 70	
0A	301000730	1	CZUJNIK TEMPERATURY	
0A	107144103	1	ZESTAW TŁOKÓW	
0A	3000825	1	O-RING 20.24X2.62 NITRIL 70SH	
0A	34218	1	FILTER FOR FLOAT VALVE Ø19 KU	
0A	103821729	1	FUSE 5X20 2A T 250V	
0A	6201534	1	SEAT	

Pos.	Numer Produktu	ilość	Opis	Notes
0A	6101038	1	TŁOK	
0A	301000729	1	CZUJNIK PŁOMIENIA	
0A	301000916	1	INSULATION Ø320.5X89	
0A	1119318	1	ZESTAW NAPRAWCZY	
0A	1118546	1	ZESTAW NAPRAWCZY	
0B	6221529	1	COVER FOR VALVE HOUSING	
0B	301000614	1	ZBIORNIK NA OLEJ Ø66.8X84	
0B	62878	1	MEMBRANE RUBBER	
0B	107318091	1	VIBRATION DAMPER M8	
0B	6100928	1	NAKRETKA	
0B	103822313	1	CONTACTOR CJX2-D25 25A 24V 3P+NO/US	
0B	301000733	1	CRANK 190X175X45	
0B	103822317	1	CONTACTOR CJX2-D32 32A 24V 3P+NO	
0B	106408244	1	HOSE D6X2.5 - 5 METERS	
0B	101117760	1	PRZEWÓD 7X500	
0B	6150680	1	LOCK NUT	
0B	301001196	1	CZUJNIK POZIOMU OLEJU	
0B	101117703	1	CABLE FOR OIL SOLONOIDE	
0B	6150642	1	BOTTOM SCREW	
0B	28877	1	SWITCH 10A 400V AC	
0B	301000644	1	FUEL GAUGE	
0B	103822306	1	CONTACTOR CJX2-D18 18A 24V 3P+NO	
0C	301000403	1	KONDENSATOR	
0C	107140163	1	CONVERSION KIT NEPTUNE 5-45 US	
0C	103822214	1	STARTER RELAY HOTWATER RVAH4AH3D	
0C	101406100	1	HOSE DN 6X3 5M	
0C	101117724	1	POWER TRANSFORMER 230/400-24/8V T70	
0C	301000541	1	OSŁONA	
0C	101117826	1	ANTISCALE PUMP ST-15 35 ML WITH PLUG 24V	
0C	1081	1	NAKRETKA L12 DIN 3870-A ST/ZN	
0C	46363	1	CLAMPING RING D25	
0C	301002353	1	INRUSH CURRENT LIMITER 5 OHM / 5W	
0C	301001060	1	TRANSFORMER 115AT 200V 2	
0C	12496	1	HEXAGON NUT M6	
0C	301000782	1	POKRYWKA	
0C	301000889	1	KOŁO WENTYLATORA	
0C	1080	1	PIERŚCIEN L12 B DIN 3861 ST/ZN	
0C	301000582	1	BUSHING Ø22X1.5X24	
0C	301000561	1	TANK COVER DETERGENT	
0C	301000678	1	DISPLAY CIRCUIT BOARD	
0C	101117777	1	HOSE CONNECTIONS FOR OIL PUMP BFA 01 L3	
0C	101117833	1	HOSE D3/D5 TRANSPARENT 0.6MM KIT	
0C	4697	1	SCREW M6X16	
0C	909100206	1	ROTARY KNOB D6X5 BLUE	
0C	17106	1	WSTAWKA	
0C	301002123	1	MICROPROCESSOR	
0C	101117756	1	PRIMARY CABLE FOR IGNITION COIL	
0C	101117828	1	ANTISCALE PUMP ST-15 140ML 24V	
0C	301000855	1	WAŻ D8X650	
0C	301001098	1	COIL NEPTUNE 5	
0C	301000402	1	RESISTANCE 15KOHM/7W	
0C	10028	1	SRUBA KA50X14 WN1411	
0C	101118094	1	ZŁĄCZE M18X1.5	
0C	301001059	1	TRANSFORMER 220AT 460V 24	
0C	26817	1	ALL-OR-NOTHING RELAY	
0C	101117759	1	IGNITION TRANSF 220-240 50-60 - DANFOSS	
0C	909100207	1	ROTARY KNOB 6X6+8X8 PP	
0C	301000934	1	HOLDER FLAMESENSOR	
0C	6100940	1	ŚRUBA REGULACYJNA	

Recommended spare parts

NEPTUNE 5-61 FA

2015.05.19

2015.02.13

Pos.	Numer Produktu	ilość	Opis	Notes
0C	11060	1	STARTER RELAY 220V AC	
0C	909100143	1	PAN HEAD SCREW M4X 4.5	
0C	101117706	1	PUSH-IN ANGLE FITTING	
0C	301000554	1	CASTOR D125 WITH BRAKE	
0C	101117831	1	SCREW FITTING F MOUNTING ANTISCALE PUMP	
0C	7012	1	HEXAGON NUT M18X1.5	
0C	301001292	1	FILTR	
0C	301002083	1	IGNITION TRANSFORMER 110-120 50-60	
0C	6184074	1	WHEEL 300	
0C	301000781	1	PUSZKA ELEKTRYCZNA	

