

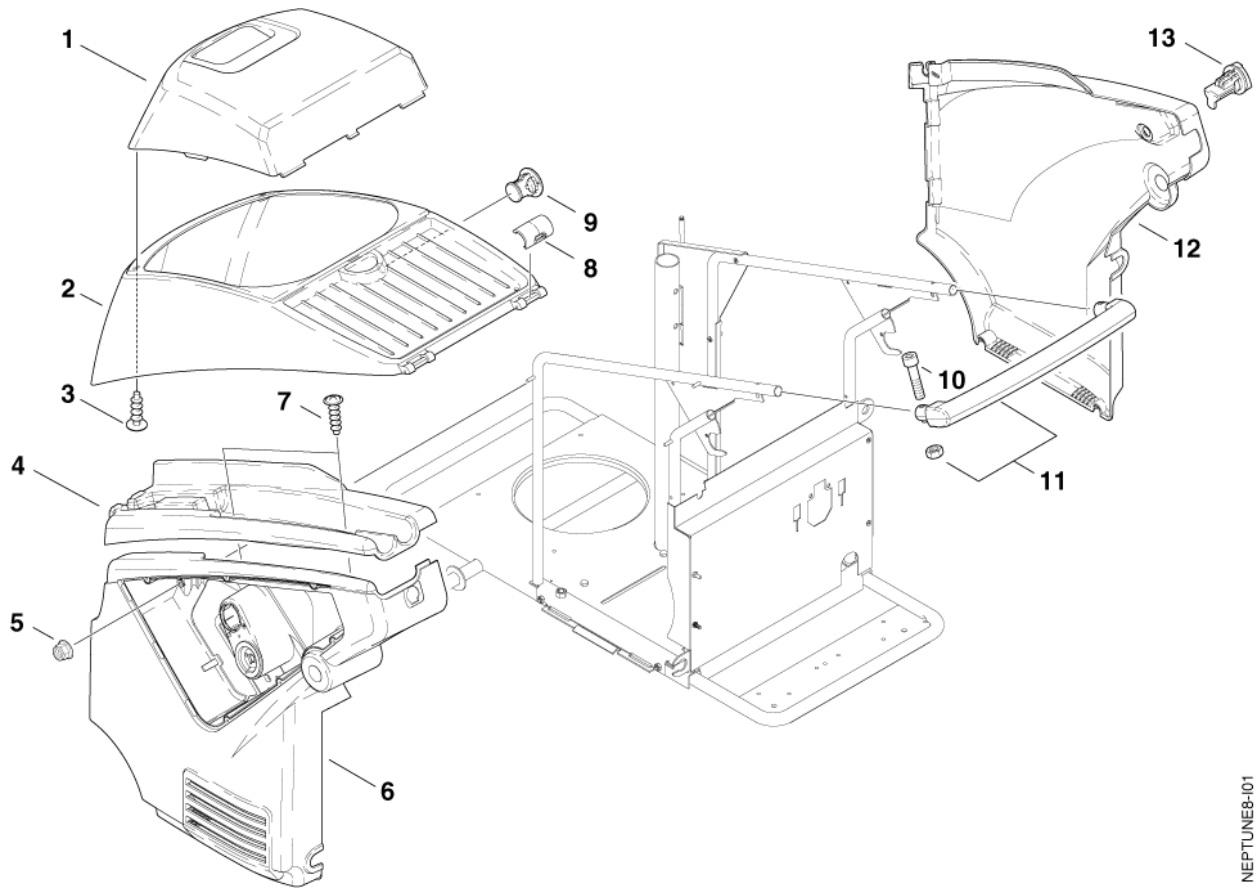
PARTS LIST



2017.06.23

TABLE OF CONTENTS

Cabinet.....	1
Frame.....	3
Fuel tank, detergent tank.....	5
Water break tank.....	7
Anti-scale pump.....	9
Control safety block (A).....	11
Control safety block (B).....	13
Pump.....	15
Pump, kits.....	17
Motor 01.05.2006=>.....	19
Motor =>30.04.2006	21
Electric box.....	23
Electric box cables.....	25
Cover electric box.....	27
Fan.....	29
Boiler.....	31
Distributor, ignition transformer.....	33
Burner unit from Dec. 2010.....	35
Burner unit.....	37
Basket.....	39
Hose reel.....	41
Hose reel, cord reel.....	43
Service crane.....	45
Soft start.....	47
Remote control - accessory.....	49
Default accessories.....	51
Total check kits.....	53
Recommended spare parts.....	55



NEPTUNE8-101

Pos.	Numer Produktu	ilość	Opis	Notes
1	301000453	1	COVER NEPTUNE 7 COL.100053	[1]
2	301001796	1	SHROUD MH 8P PP	[2]
3	11254	2	SCREW 3.5X10 WN1411	
4	301000454	1	LANCE HOLDER	
5	12496	3	HEXAGON NUT M6	
6	301000455	1	SIDE CABINET - LEFT	
7	1814614	2	ŚRUBA K50X18 Wn1451 A2	
8	301000457	2	KLIPS	
9	301000584	1	LOCKING BOLT D29X28	
10	5945	2	SCREW M6X30	
11	301000447	1	HANDLE PREASSEMBLY	
12	301000456	1	SIDE CABINET - RIGHT	
13	301000585	1	DOOR LOCK Ø29X28	

Part Notes:

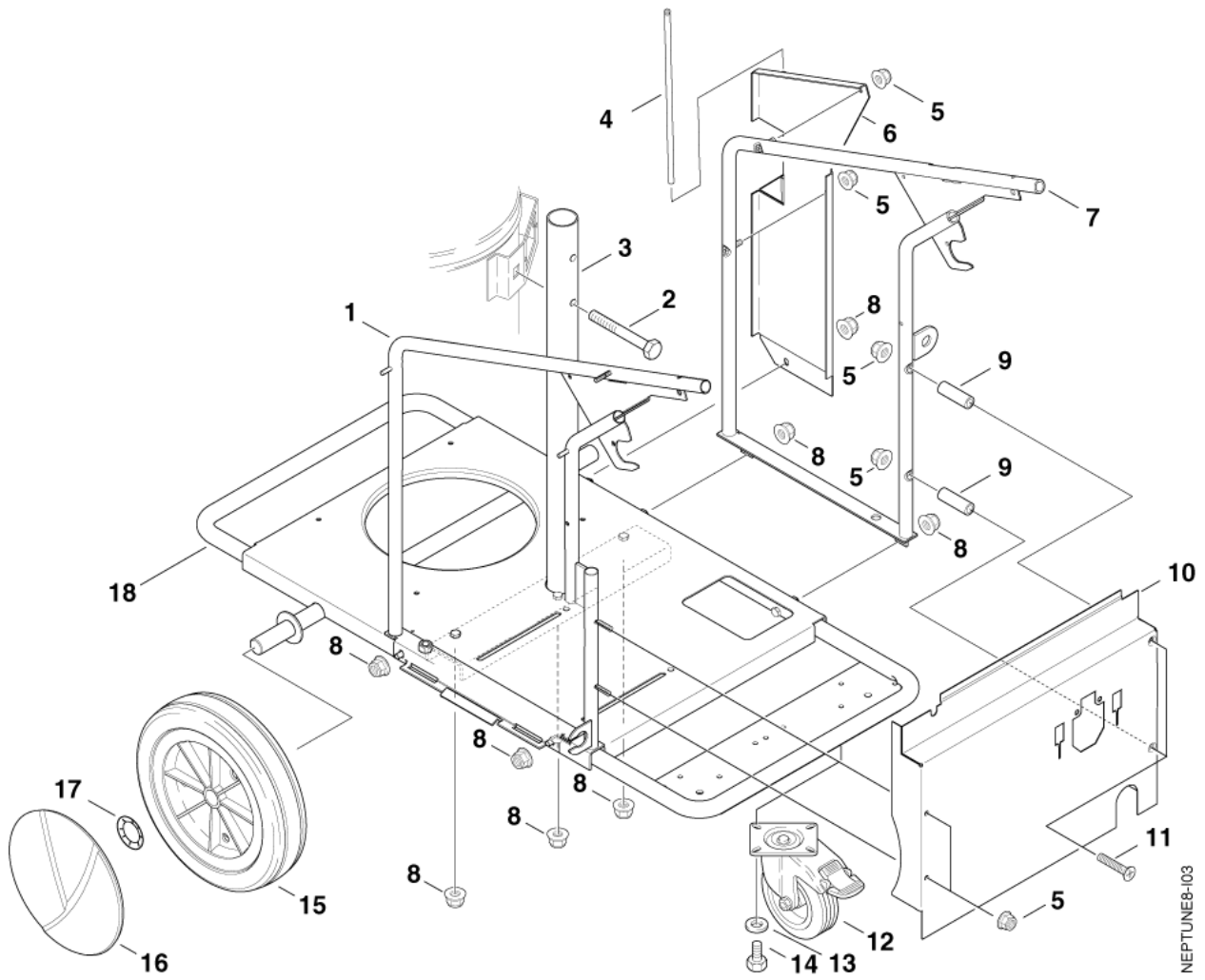
- [1] - BLACK
[2] - BLUE

Frame

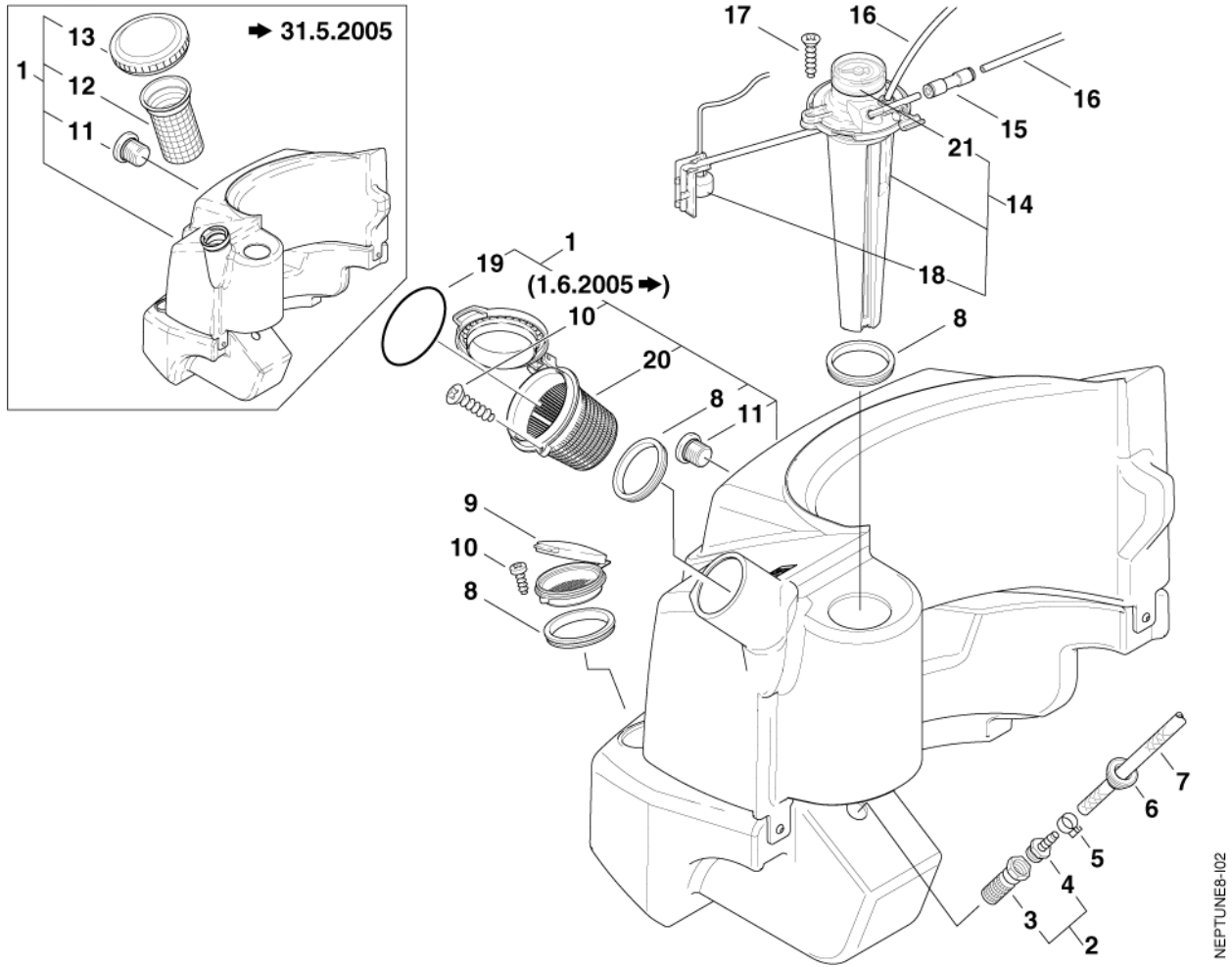
NEPTUNE 8-103 / MH 8P 180/2000

2015.05.19

2016.08.12



Pos.	Numer Produktu	ilość	Opis	Notes
1	301001570	1	TUBE FRAME LEFT	
2	3453	1	SCREW M8X60	
3	301000525	1	CENTRAL TUBE	
4	301000706	1	BOLT D8X310	
5	12496	6	HEXAGON NUT M6	
6	301000521	1	HINGE PLATE	
7	301000519	1	TUBE FRAME RIGHT	
8	61467	8	HEXAGON NUT M8	
9	301001794	2	DISTANCE PIECE 12X41.5	
10	301001573	1	REAR WALL 487X375.2X59	
11	909100359	2	COUNTERSUNK SCREW M6X70 ISO 7046 ST/ZN	
12	301000554	2	CASTOR D125 WITH BRAKE	
13	2762	8	WASHER 8.4X1.6	
14	5370	8	SCREW M8X10	
15	6184074	2	KÓŁKO D300	
16	301001077	2	KOŁPAK	
17	46363	2	CLAMPING RING D25	
18	301001568	1	BASE FRAME	

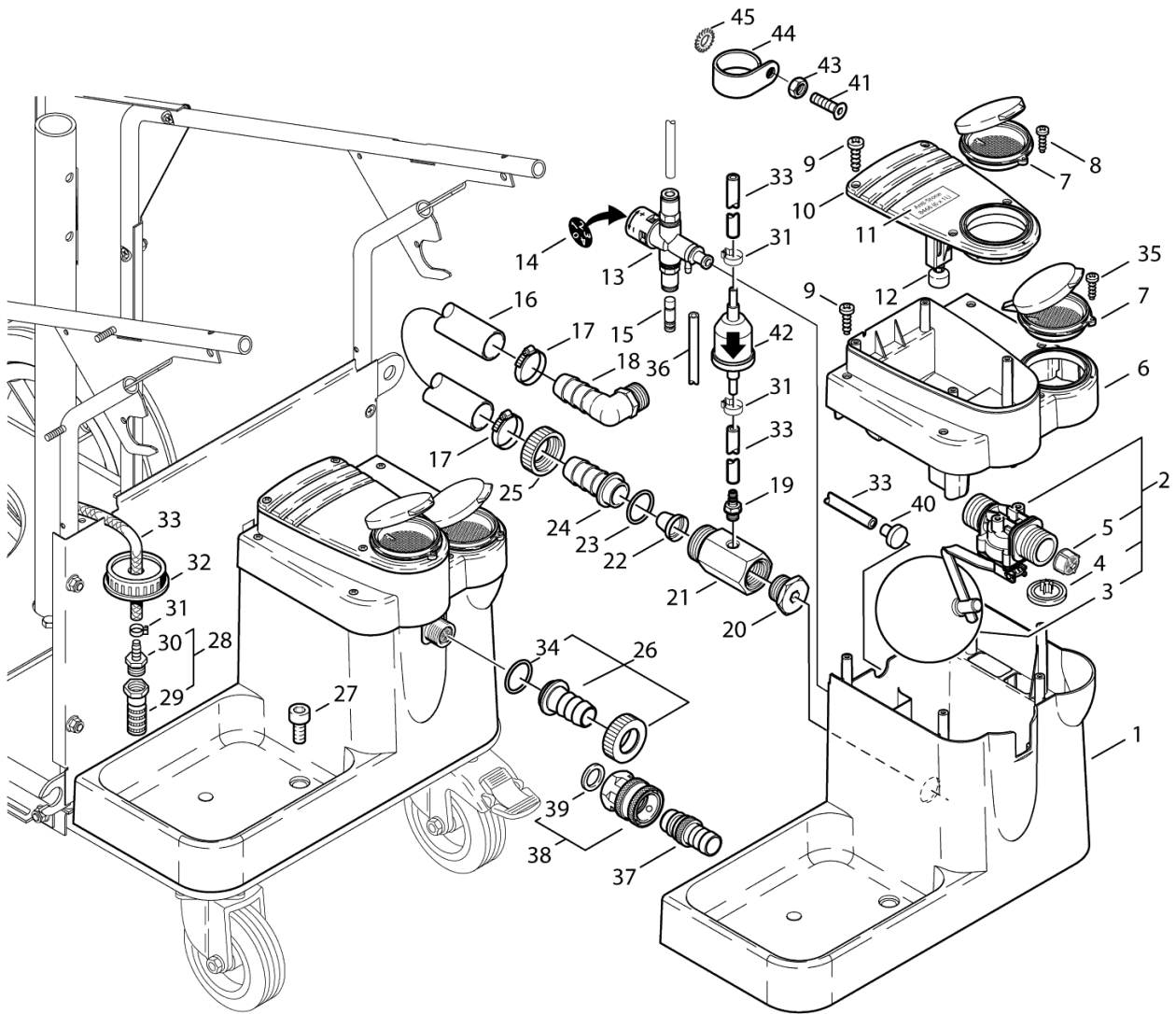


NEPTUNE8-102

Pos.	Numer Produktu	ilość	Opis	Notes
1	301000458	1	TANK FUEL/DETERGENT NEPTUNE 5+7	
2	107145440	1	STRAINER VALVE COMPL. KIT	
3	107145440	1	STRAINER VALVE COMPL. KIT	
4	5283	1	MOCOWANIE	
5	11654	1	KLAMRA	
6	301000618	1	GASKET Ø 32X20.1	
7	101406100	1	HOSE DN 6X3 5M	
8	301000620	3	GASKET D79.6XD66X10	[1]
9	301000561	1	TANK COVER DETERGENT	
10	18086	2	SCREW 2.9X13	
11	6180906	1	PLUG WITH O-RING	
12	301001048	1	STRAINER Ø 49X98	[2]
13	17260	1	FUEL COVER	[3]
14	301000644	1	FUEL GAUGE	
15	61442	1	CIRCUIT CONNECTOR	[4]
16	106408239	1	TUBE D6 X 1 MEWA DIN 73378 - 5 METERS	
17	5606	1	SCREW 2.9X19	
18	301001196	1	CZUJNIK POZIOMU OLEJU	
19	909100173	1	O-RING 56.0X5.0 NBR70	[5]
20	301001292	1	FILTR	[5]
21	301000634	1	COVER Ø50.7X17.3 PC	

Part Notes:

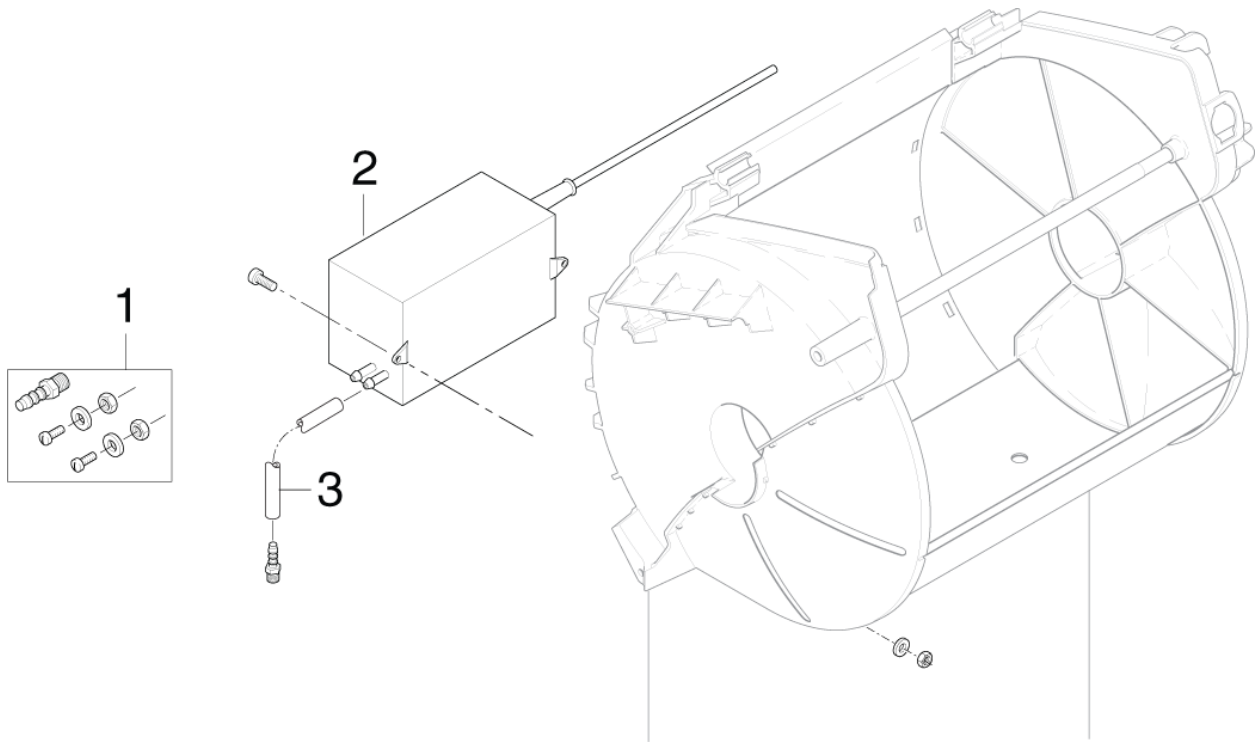
- [1] - TSB-PPW-2013-001 301000620, 301001276TSB-PPW-2013-001 301000620, 301001276
- [2] - =>31.05.2005]
STOCK COVERS GUARANTEE
- [3] - =>31.05.2005]
GUARANTEE DATE EXPIRED
- [4] - PLEASE CONTACT CARWASH DIRECTLY
- [5] - |01.06.2005=>



Pos.	Numer Produktu	ilość	Opis	Notes
1	301001762	1	WATER BREAK TANK	
2	43127	1	FLOAT VALVE	
3	11418	1	PLYWAK KULOWY	
4	33999	1	MEMBRANE	
5	33998	1	FILTER	
6	301000562	1	ANTI SCALE TANK PP	
7	301000561	2	TANK COVER DETERGENT	
8	5606	1	SCREW 2.9X19	
9	909100138	9	SCREW 5X20	
10	301000560	1	COVER ANTI SCALE TANK	
11	301000932	1	NAKLEJKA	
12	301000695	1	WŁĄCZNIK	
13		1	Anti-scale	[1]
14	301000915	1	LABEL D20	[2]
15	301001180	1	PLUG 4	[3]
16	5521	1	HOSE Ø 20X4	
17	23221	2	HOSE CLAMP 20-32	
18	11875	1	HOSE NOZZLE Ø 19 R3/4	
19	301001392	1	HOSE LINER Ø8 M10X1 SW12 CuZn	
20	301001761	1	TUBE FITTING M24X1.5X21 SW 32 CUZN	
21	301001759	1	FITTING 1-M24X15X72	
22	107312039	1	FILTR	
23	13571	1	O-RING D24X2.5	
24	301001760	1	HOSE NOZZLE 18X29	
25	6578	1	UNION NUT G1X14.5	
26	61369	1	PRZYŁĄCZE WODY 20R 3/4	
27	8892	2	HEXAGON SCREW M8X16 A2 ISO 4762	
28	107145440	1	STRAINER VALVE COMPL. KIT	
29	107145440	1	STRAINER VALVE COMPL. KIT	
30	5283	1	MOCOWANIE	
31	11654	3	KLAMRA	
32	301001004	1	CLOSING CAP W.D 13 HOLE D65X22	[4]
33	101406100	1	HOSE DN 6X3 5M	[5]
34	46487	1	PACKING RING 21X29X2.5	
35	18086	1	SCREW 2.9X13	
36	909100141	1	RURKA Ø4X1 DIN 73378	[6]
37	1605955	1	NIPPLE F. QUICK COUPLING L.P	[7]
38	1602945	1	SZYBKOZŁĄCZE 3/4 Z USZCZELKĄ	[7]
39	3001237	1	GASKET Ø24.5XØ16X3 NITRIL 80SH	[7]
40	6400240	1	CHEMICAL FILTER	[8]
41	18274	1	COUNTERSUNK SCREW M4X12	
42	301002926	1	FILTR	[9]
43	2759	1	HEXAGON NUT M4	
44	101117705	1	HOLDER FOR FUEL FILTER	
45	4021	1	SERRATED LOCK WASHER A4	

Part Notes:

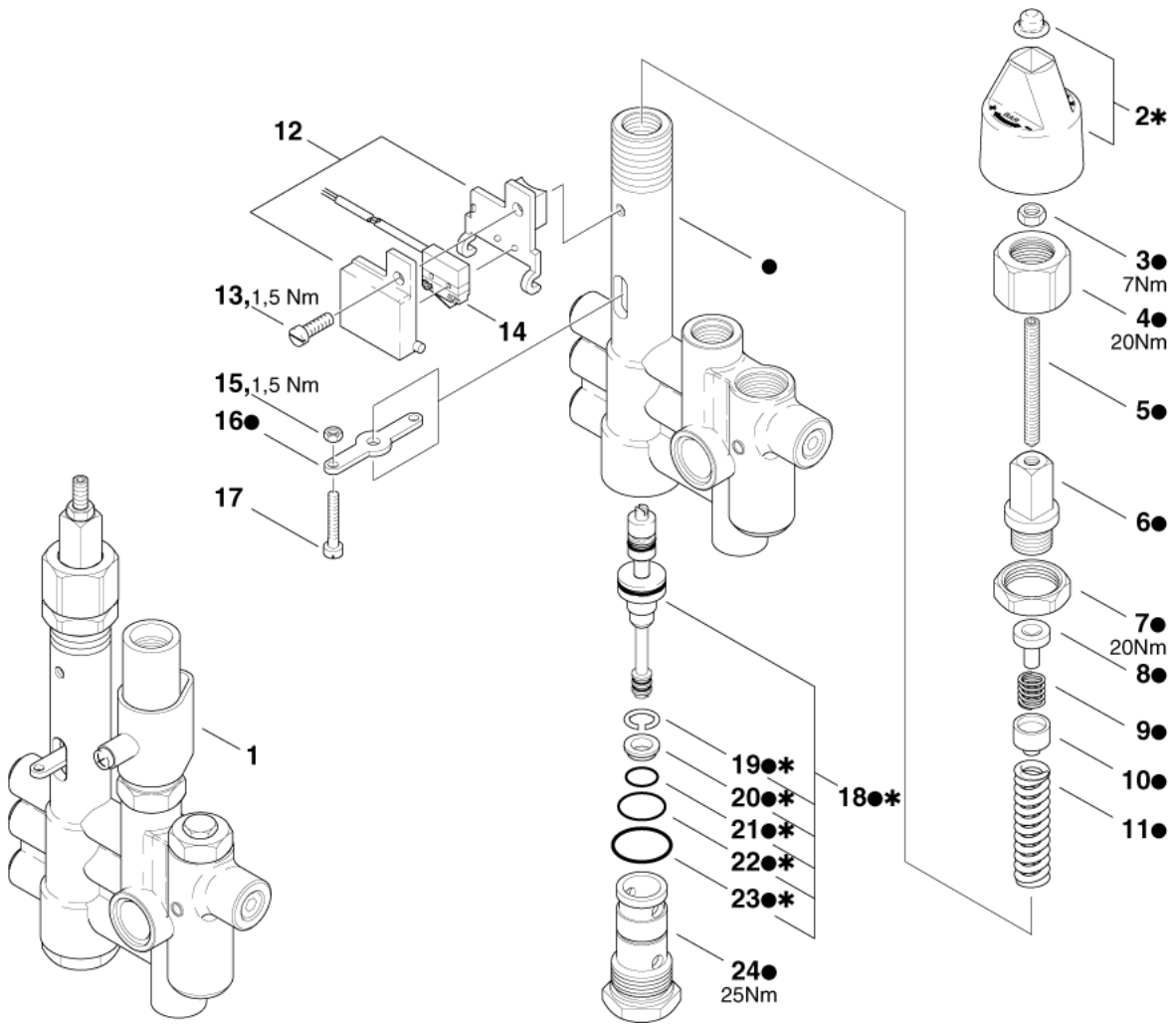
- [1] - See STI-MPW 096_anti scaleSTI-MPW 096_anti scale
- [2] - STOCK COVERS GUARANTEE
- [3] - =>31.03.2005]
- [4] - Empty container 10L part 80518
- [5] - * SEE NOTE
- [6] - |01.04.2005=> * SEE NOTE
- [7] - *US*
- [8] - |01.03.2006=> - =>30.09.2006]
- [9] - |01.10.2006=>



Pos.	Numer Produktu	ilość	Opis	Notes
1	101117831	1	SCREW FITTING F MOUNTING ANTISCALE PUMP	
2	101117828	1	ANTISCALE PUMP ST-15 140ML 24V	[1]
2	101117826	1	ANTISCALE PUMP ST-15 35 ML WITH PLUG 24V	[2]
3	101117833	1	HOSE D3/D5 TRANSPARENT 0.6MM KIT	

Part Notes:

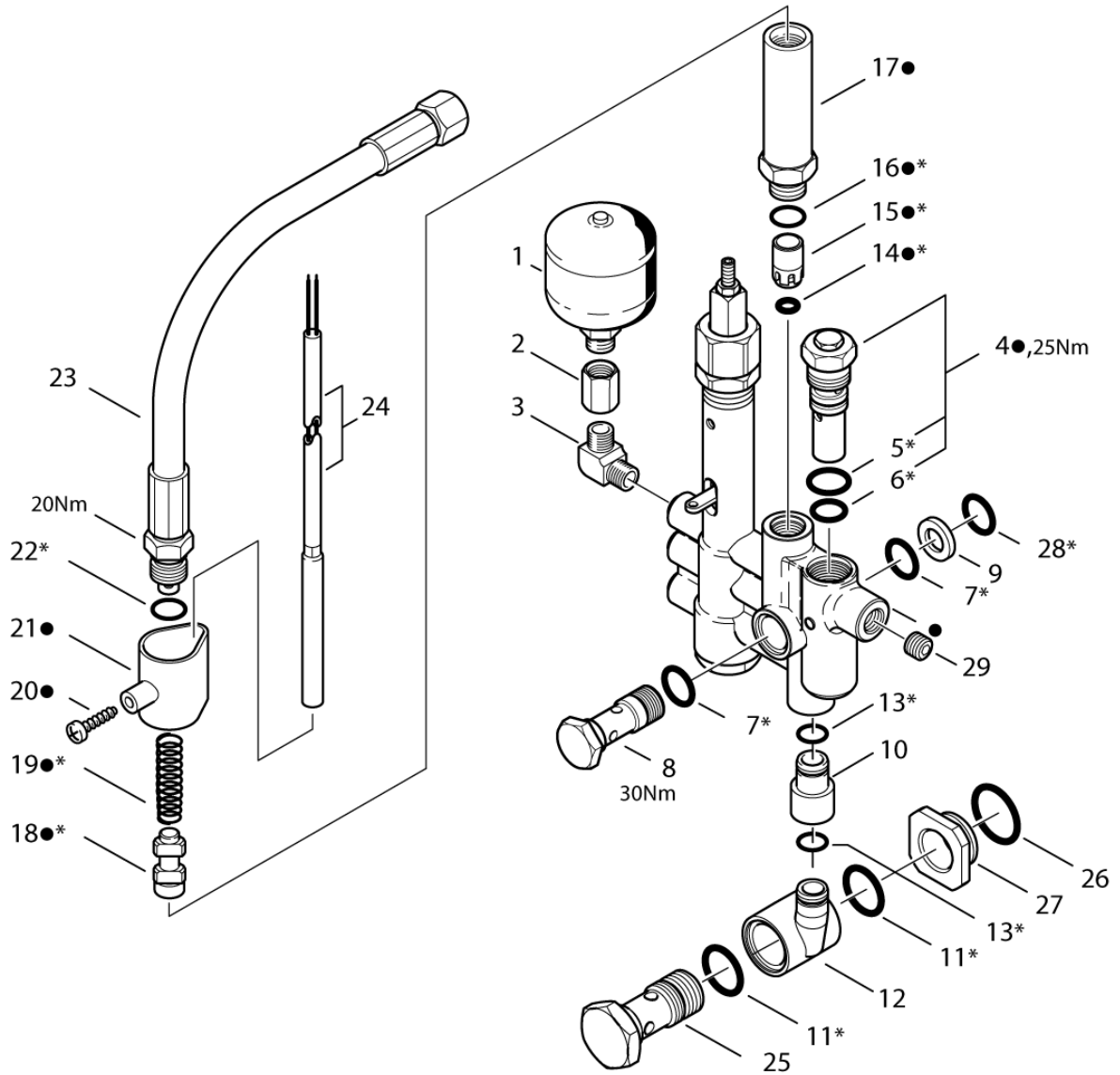
- [1] - NEPTUNE 7 + 8
- [2] - NEPTUNE 5



Pos.	Numer Produktu	ilość	Opis	Notes
1	301001797	1	UNLOADER VALVE	[1]
2	62397	1	ROTARY KNOB	[2]
3	3136	1	HEXAGON NUT M6	[3]
4	62710	1	UNION NUT M24X1.5X21	[3]
5	62711	1	HEADLESS SCREW M6X60 DIN 914 ST/ZN	[3]
6	62712	1	HOLLOW SCREW M16X1X9 4KT SW12X40 ZN	[3]
7	62696	1	HEXAGON NUT M24X1.5X6	[3]
8	62695	1	SPRING SUPPORT	[3]
9	62713	1	SPRING	[3]
10	62694	1	SPRING SUPPORT	[3]
11	40972	1	SPRING 3.5X10.5X54	[3]
12	62401	1	OBUDOWA MIKROWŁACZNIKA	
13	3349	1	ŚRUBA M5X16	
14	301000731	1	MIKROWŁACZNIK 250V	
15	2759	1	HEXAGON NUT M4	
16	62717	1	CONTACT STUD	[3]
17	101117739	1	SCREW HEX M4X22-8.8 A2K DIN912	
18	64314	1	ZESTAW NAPRAWCZY	[4]
19	909100001	1	PIERSCIEN Ø14 B DIN 7993	[4]
20	62708	1	GNIAZDO ZAWORU Ø8.5/Ø11.4/Ø13.9x4	[4]
21	49461	1	O-RING 11.0x1.5 NBR90	[4]
22	9523	1	O-RING 17.0x1.5 NBR70	[4]
23	32091	1	O-RING 21.0x2.0 DIN 3770 NBR70	[4]
24	64301	1	SRUBA M24X1.5 Ø20	[3]
99	301002071	1	REPAIR KIT DISCHARGER VALVE	[5]

Part Notes:

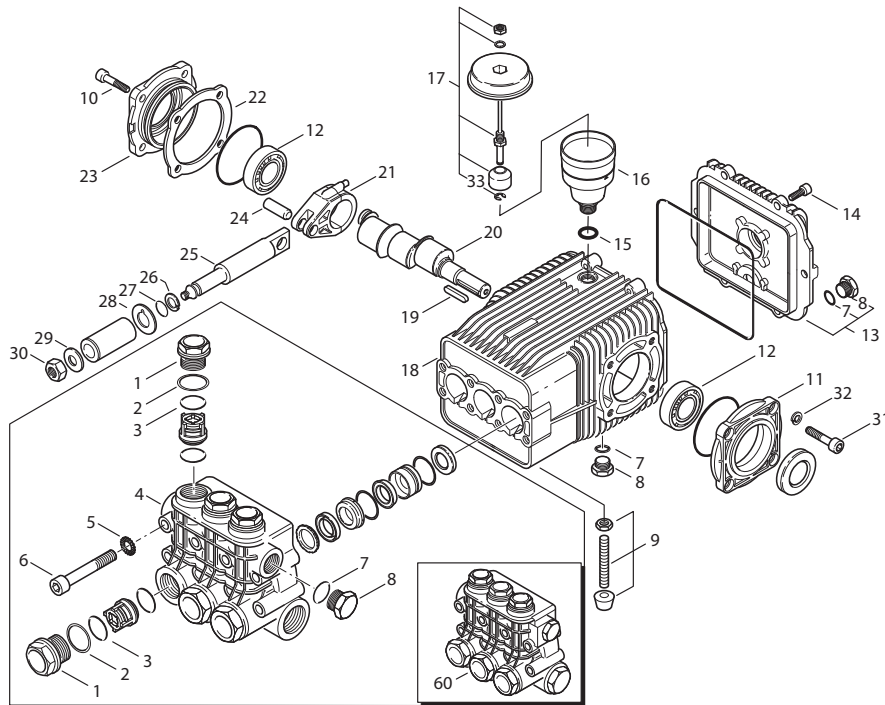
- [1] - includes o
- [2] - *
- [3] - o
- [4] - o*
- [5] - consisting of: *



Pos.	Numer Produktu	ilość	Opis	Notes
1	63090	1	AKUMULATOR 250BAR	
2	63136	1	MUFFE M16X1.5 SW 19X24	
3	1618	1	UNION PIECE R1/4 INCH DIN 2353 ST/ZN	
4	301000911	1	ZAWÓR	[1]
5	16443	1	O-RING 17.0x2.0 DIN 3770 NBR70	[2]
6	62706	1	O-RING	[2]
7	16443	2	O-RING 17.0x2.0 DIN 3770 NBR70	[2]
8	301001757	1	BANJO BOLT G3/8X56 SW24 VA	
9	301001750	1	ADAPTER 30X5	
10	301001749	1	ADAPTER 20X14.8X30	
11	24347	2	O-RING 21.0x2.5 DIN 3770 FPM80	[3]
12	301000778	1	KOLANKO Ø30.9X34	
13	13739	2	O-RING 10X2 DIN 3770 NBR70	[2]
14	56519	1	O-RING	[4]
15	301000905	1	TŁOK	[4]
16	16998	1	O-RING	[4]
17	301001820	1	FITTING D22X92	[1]
18	301001800	1	CONTACT PISTON	[4]
19	6231	1	SPRĘŻYNA 0.5X11X44 VA	[4]
20	10028	1	SRUBA KA50X14 WN1411	[1]
21	62399	1	UCHWYT CZUJNIKA	[1]
22	62706	1	O-RING	[2]
23	301001755	1	HP-HOSE DN10X 830 DKL M18X15 3/8	
24	301002458	1	STYCZNIK	
25	301001756	1	HOLLOW SCREW 1/2X55 SW30 CUZN	
26	107318254	1	O-RING 24X2.0 NBR70	
27	301001753	1	REDUCTION G3/4-G1/2 CuZn	
28	32091	1	O-RING 21.0x2.0 DIN 3770 NBR70	[2]
29	30993	3	PLUG G1/4	[5]
98	301001797	1	UNLOADER VALVE	[6]
99	301002071	1	REPAIR KIT DISCHARGER VALVE	[7]

Part Notes:

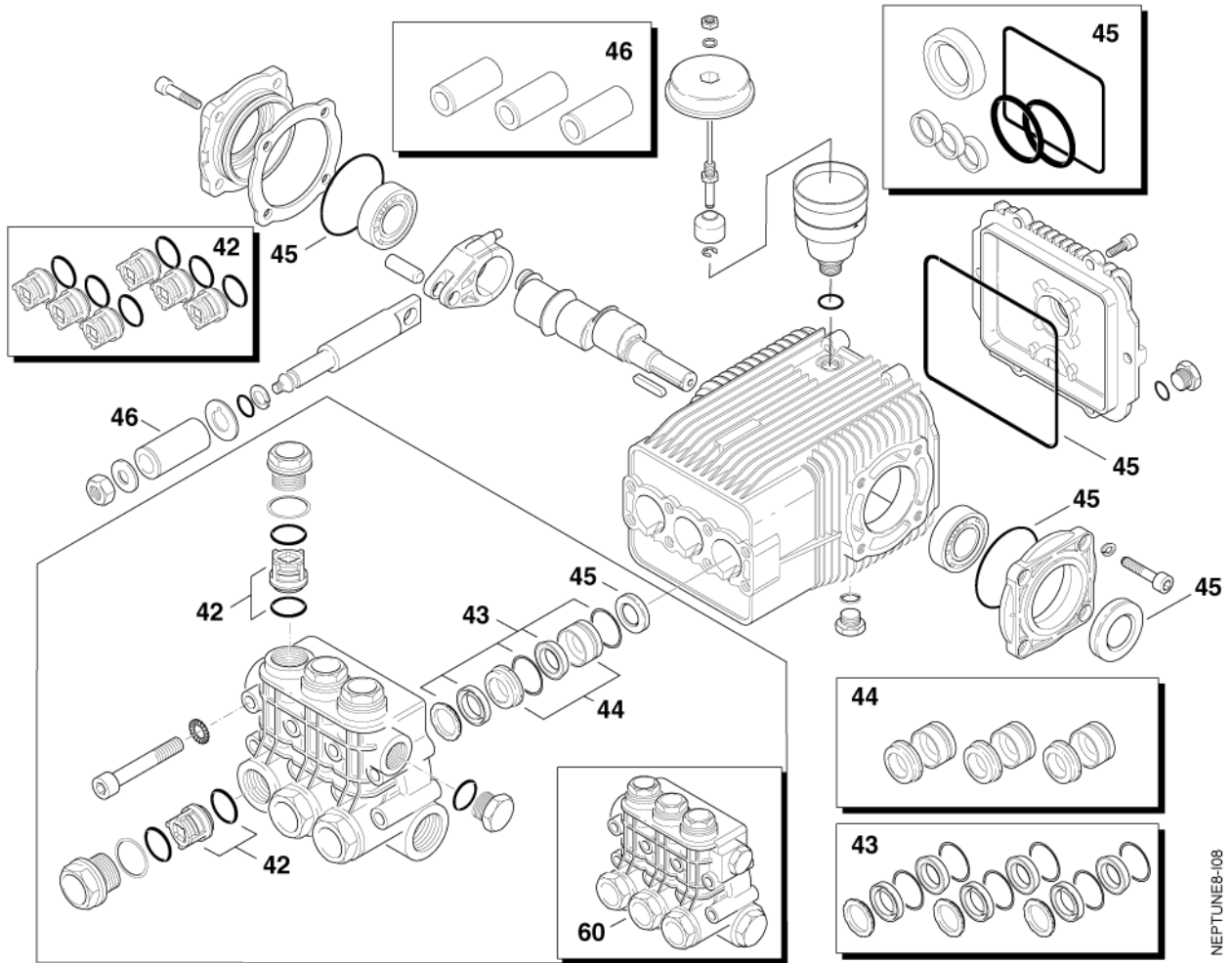
- [1] - o
- [2] - *
- [3] - *
PLEASE CONTACT CARWASH DIRECTLY
- [4] - o*
- [5] - PLEASE CONTACT CARWASH DIRECTLY
- [6] - includes o
- [7] - consisting of: *



Pos.	Numer Produktu	ilość	Opis	Notes
0-	200060	1	OIL SAE 15W-40 1 LITER	[1]
00	107146077	1	PUMP NP8 30.20 400-230/3/50	[2]
1	301002025	6	PLUG M28X1.5/SW27X33	
2	301002043	6	SUPPORTING RING Ø 25.5X22	
3	3000825	12	O-RING 20.24X2.62 NITRIL 70SH	
4	301002027	1	VALVE BLOCK	
5	909100367	8	SAFETY WASHER Ø 10	
6	13860	8	CYLINDER SCREW M10X80 ISO4762 ST 8.8/ZN	
7	56554	3	O-RING 14.0x1.78 ARP AS 568 A NBR70	
8	301001135	3	PLUG G3/8	
9	301001822	1	PRESS SPINDLE 26X60 M10	
10	2788	4	CYLINDER SCREW M8X16 ISO 4762 ST 8.8/ZN	
11	301002031	1	BEARING LID 80X80X Ø 94X8	
12	64361	2	ROLLER BEARING 32206	
13	301002036	1	COVER	
14	4697	6	SCREW M6X16	
15	56554	1	O-RING 14.0x1.78 ARP AS 568 A NBR70	
16	301000614	1	ZBIORNIK NA OLEJ Ø66.8X84	
17	301001196	1	CZUJNIK POZIOMU OLEJU	
18	301002037	1	HOUSING	
19	40312	1	KEY 8X7X40 DIN 6885A	
20	301002038	1	CRANKSHAFT	
21	301002047	3	CONNECTING ROD	
22	301002033	1	ADJUSTING WASHER 80X80XØ94X0,10	
22	301002035	1	ADJUSTING WASHER 80X80XØ94X0,25	
22	301002034	1	ADJUSTING WASHER 80X80XØ94X0,19	
22	301002032	1	ADJUSTING WASHER 80X80XØ94X0,05	
23	301002030	1	BEARING LID 80X80X Ø 94X8	
24	301002044	3	BOLT	
25	301002046	3	PISTON ROD	
26	301002048	3	SUPPORTING RING Ø 13X10X1	
27	6480286	3	O-RING 9.25x1.78 ARP AS 568 A NBR70	
28	301002045	3	DISTANCE SPACER	
29	301002042	3	WASHER Ø 18.5X Ø 8X1	
30	909100376	3	HEXAGON NUT M8X5/SW17	
31	3928	4	SCREW M8X30	
32	2798	4	LOCK WASHER 8	
33	107142593	1	HOLDING WASHER PE	[3]
60	301002029	1	VALVE BLOCK COMPL. D22MM	[4]
60	301002028	1	VALVE BLOCK COMPL. Ø20MM	[5]
99	301001980	1	PUMP N8 8G29 N 30 L/MIN 200BAR	[6]
99	107140939	1	PUMP N8 30.20 N 30 L/MIN	[4]

Part Notes:

- [1] - 2,15L - OIL TYPES_QUANTITY for HPW_APRIL 2017
 [2] - includes motor and pump
 [3] - TSB-PPW-2016-017 Locking ring for oil level switch falling off
 [4] - *EU*
 [5] - *US*
 [6] - *US*
 GUARANTEE DATE EXPIRED

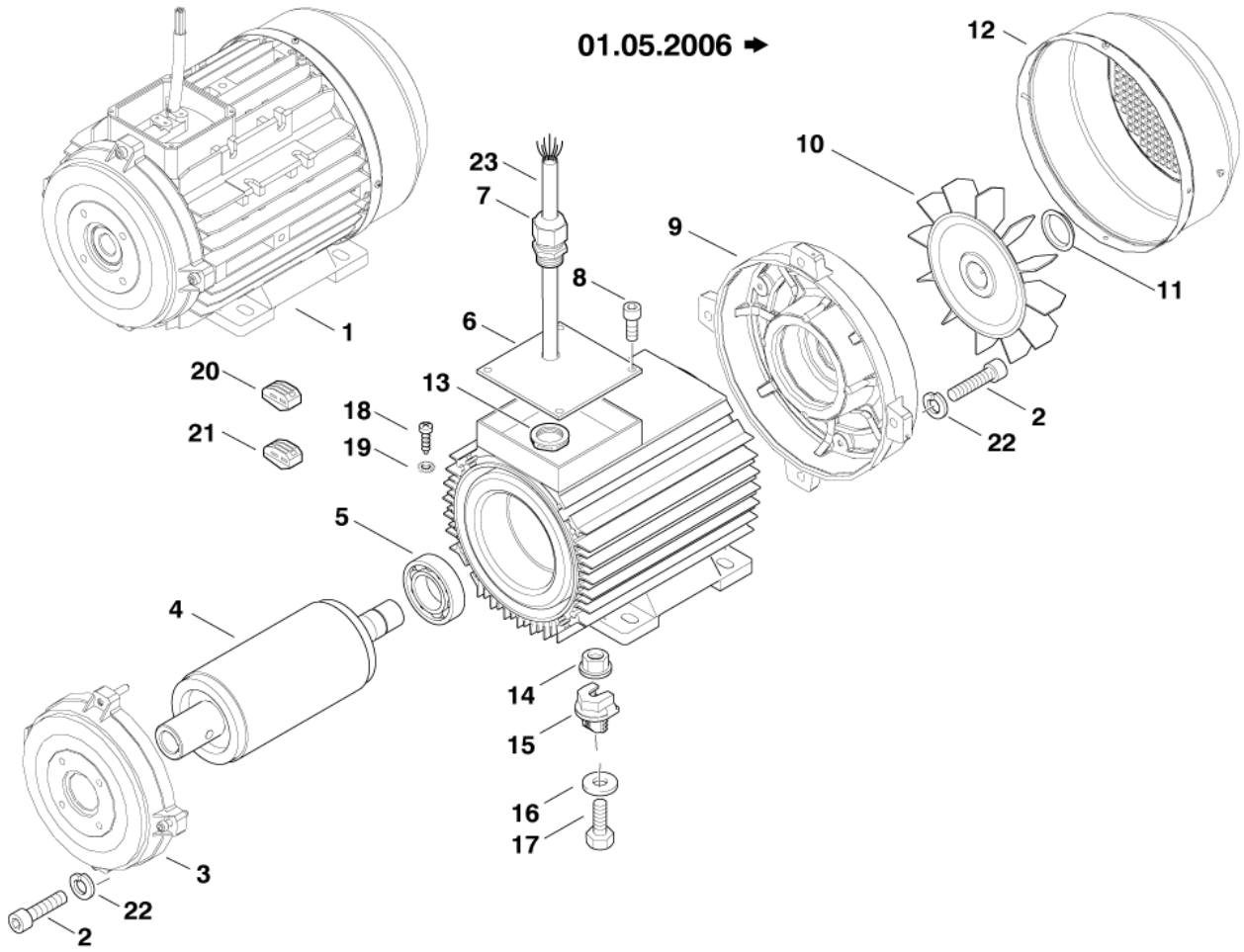


NEPTUNE8-108

Pos.	Numer Produktu	ilość	Opis	Notes
42	301002039	1	ZESTAW ZAWORÓW	
43	301002052	1	KIT PISTON SEALING D20	[1]
43	301002053	1	ZESTAW USZCZELNIEN	[2]
44	301002055	1	KIT SUPPORT RING D22 3	[2]
44	301002054	1	KIT SUPPORT RING D20 3	[1]
45	301002051	1	KIT OIL SEALING	
46	301002050	1	KIT PISTON D22	[2]
46	301002049	1	KIT PISTON D20	[1]
60	301002028	1	VALVE BLOCK COMPL. Ø20MM	[1]
60	301002029	1	VALVE BLOCK COMPL. D22MM	[2]

Part Notes:

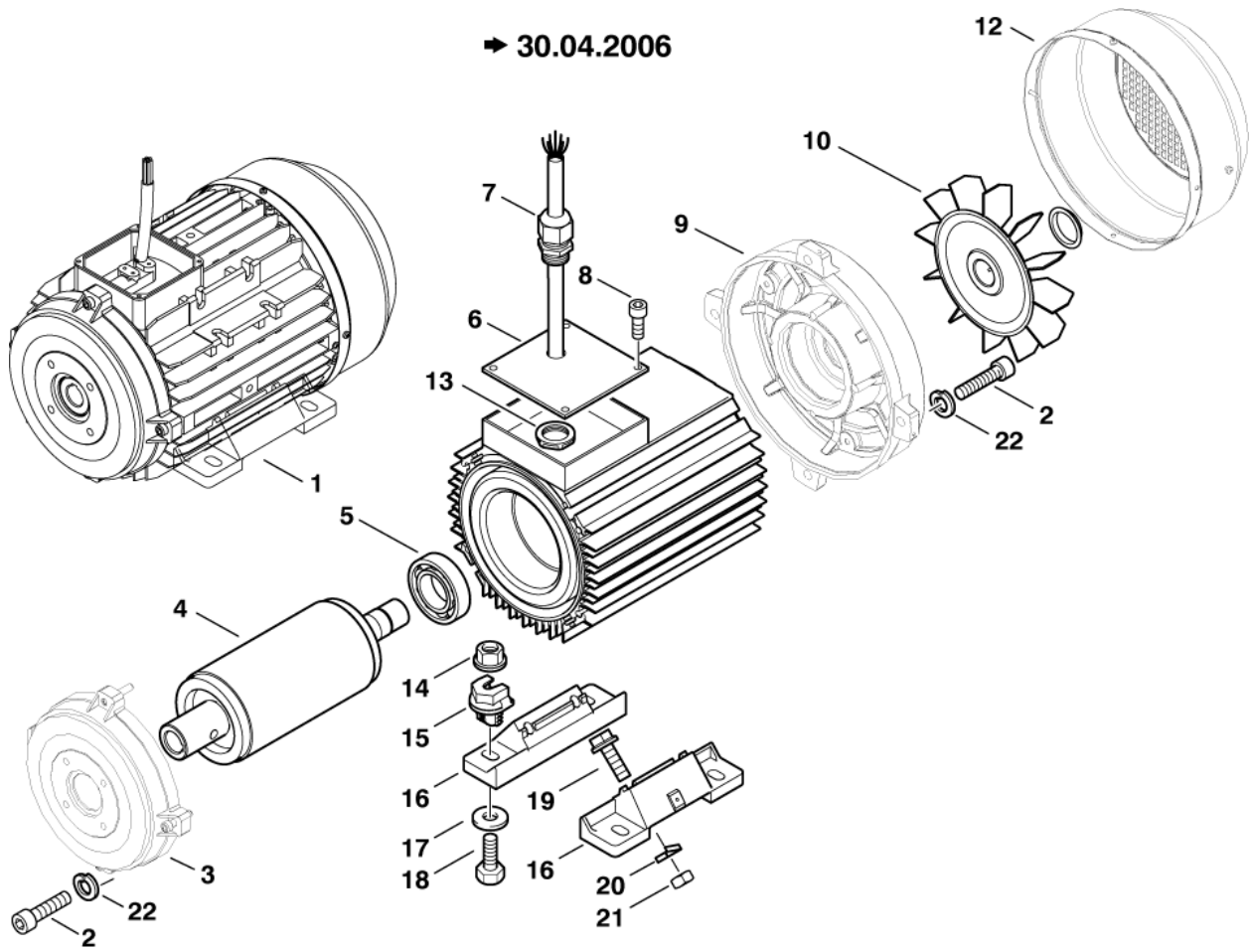
- [1] - *US*
- [2] - *EU*



Pos.	Numer Produktu	ilość	Opis	Notes
1	107140938	1	MOTOR MEC132 230/400V 3PH 11KW	[1]
1	301002396	1	MOTOR 11KW 290V/500V	[2]
2	6863	8	SCREW M8X35	
3	301002075	1	MOTOR FLANGE	
4	301002078	1	ROTOR MOTOR 11KW	[3]
5	909100380	1	ROLLER BEARING 6208-2ZC3	
6	301001758	1	COVER 110X110X2 ST	
7	64903	1	CORD FIXING M25X1.5	
8	2777	4	CYLINDER SCREW M4X10 ISO 1207 4.8 ST/ZN	
9	301002073	1	REAR BEARING COVER	
10	301002074	1	IMPELLER Ø 230X50	
11	106162892	1	CLAMPING STRAP	[4]
12	301002077	1	FAN HOUSING Ø 260X115	
13	909100020	1	HEXAGON THIN NUT M25X1.5 EN 50262 PA	
14	61467	4	HEXAGON NUT M8	
15	301001269	4	HOLDER NUT M8	
16	2793	4	WASHER 8.4X2	
17	3213	4	SCREW M8X40	
18	4144	1	CYLINDER SCREW M4X6 ISO 1207 ZN	[5]
19	4021	1	SERRATED LOCK WASHER A4	[5]
20	301001229	5	SNAP-ON CLIP 3X4QMM 400V 24A GREY	[5]
21	301002165	1	CABLE CLAMP TERMINAL 5POL WAGO 222-415	[5]
22	2798	8	LOCK WASHER 8	
23	301002635	1	WIRE MOTOR 7-POL. NEPTUNE 8	[5]

Part Notes:

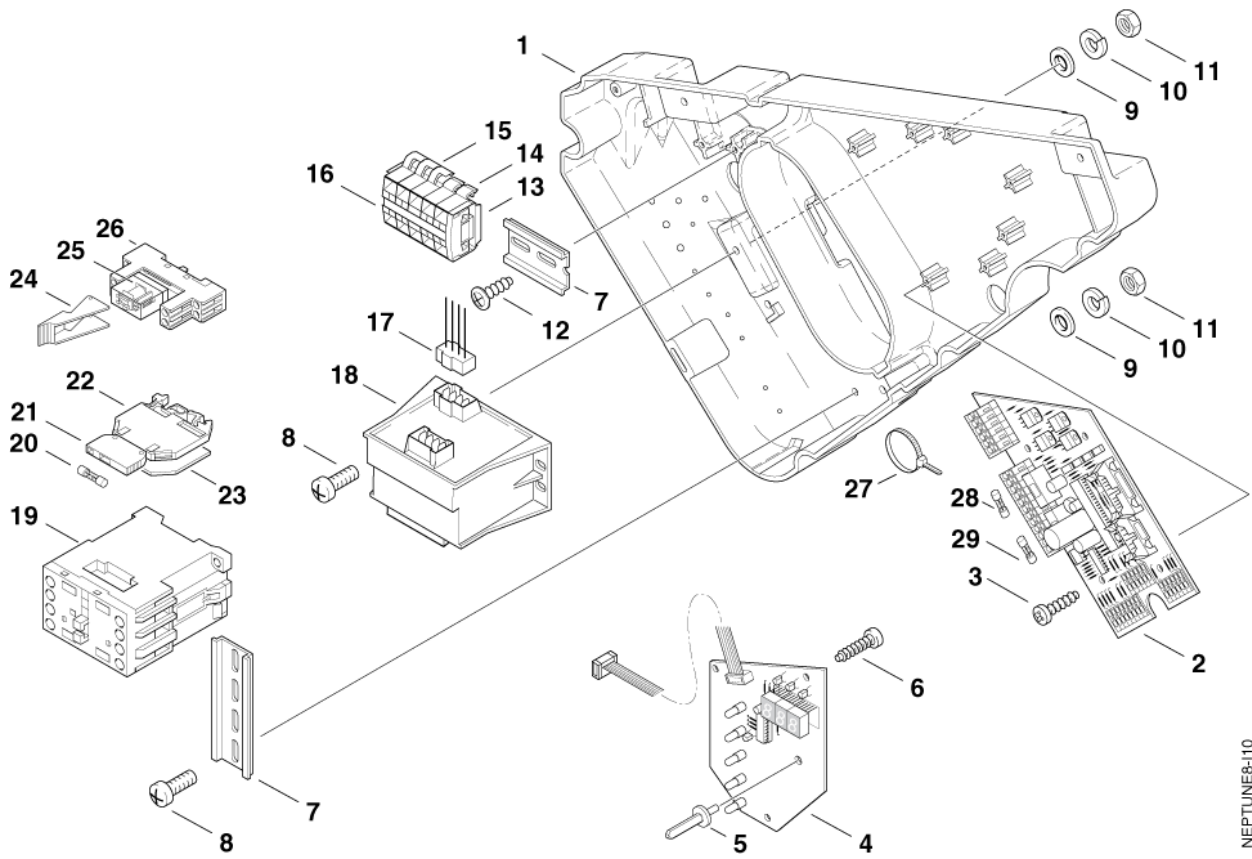
- [1] - *EU*US*
- [2] - 500V
NO LONGER AVAILABLE
- [3] - ONLY COMPLETE MOTOR
- [4] - STOCK COVERS GUARANTEE
- [5] - |01.08.2006=>



Pos.	Numer Produktu	ilość	Opis	Notes
1	301002396	1	MOTOR 11KW 290V/500V	[1]
1	107140938	1	MOTOR MEC132 230/400V 3PH 11KW	[2]
2	6863	8	SCREW M8X35	
3	301002075	1	MOTOR FLANGE	
4	301002078	1	ROTOR MOTOR 11KW	[3]
5	909100380	1	ROLLER BEARING 6208-2ZC3	
6	301001758	1	COVER 110X110X2 ST	
7	64903	1	CORD FIXING M25X1.5	
8	2777	4	CYLINDER SCREW M4X10 ISO 1207 4.8 ST/ZN	
9	301002073	1	REAR BEARING COVER	
10	301002074	1	IMPELLER Ø 230X50	
12	301002077	1	FAN HOUSING Ø 260X115	
13	909100020	1	HEXAGON THIN NUT M25X1.5 EN 50262 PA	
14	61467	4	HEXAGON NUT M8	
15	301001269	4	HOLDER NUT M8	
16	301002076	2	MOTOR FOOT	[4]
17	2793	4	WASHER 8.4X2	
18	3213	4	SCREW M8X40	
19	8928	4	HEX. SCREW M10X60 ISO 4017 ZN	
20		4	LOCK WASHER 10	
21	2758	4	HEXAGON NUT M8	
22	2798	8	LOCK WASHER 8	

Part Notes:

- [1] - 500V
NO LONGER AVAILABLE
- [2] - 11,0KW/230/400/3 *EU*US*
- [3] - ONLY COMPLETE MOTOR
- [4] - NO LONGER AVAILABLE

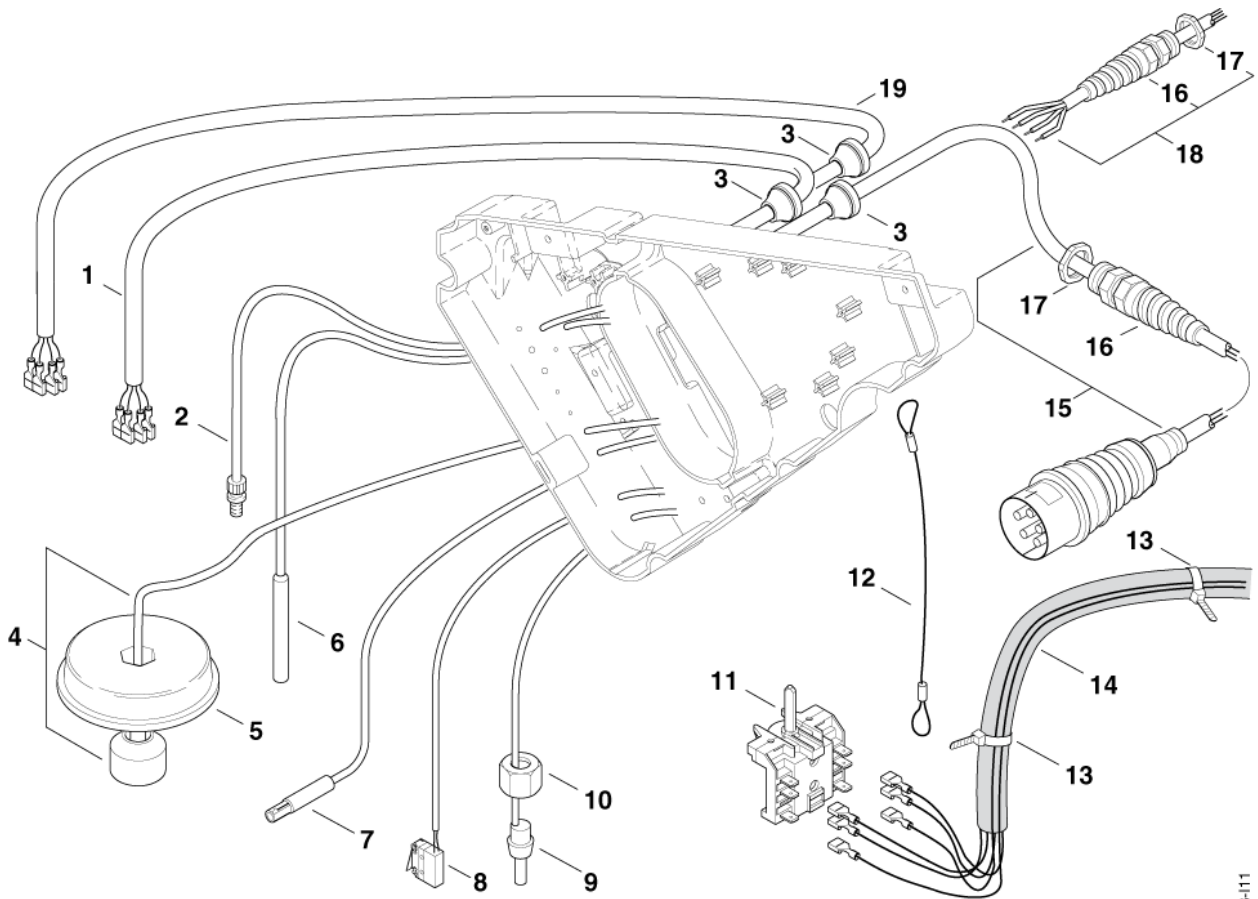


NEPTUNE8-10

Pos.	Numer Produktu	ilość	Opis	Notes
1	301000679	1	ASSEMBLY PLATE	
2	301002123	1	MICROPROCESSOR	[1]
2	301000680	1	MAIN CIRCUIT BOARD	
3	1805175	4	SCREW 3X12	
4	301000678	1	DISPLAY CIRCUIT BOARD	
5	301000636	1	AXLE 15X43.5 PP	
6	11254	3	SCREW 3.5X10 WN1411	
7	22290	1	MOU. RAIL TS35/F6 7.5 18X5.2 EN60715 ZN	[2]
8	15146	4	RAISED DOME HEAD SCREW M5X12 H DIN 7985	
9	2763	4	WASHER 5.3X1	
10	1813773	4	SERRATED LOCK WASHER	[3]
11	2760	4	NUT M5 ISO 4032 ZN	
12	16860	2	SCREW 4X12	
13	301000688	1	WIRE TERMINAL 4X2.5MM	
14	301000687	2	WIRE TERMINAL 2X2.5MM	
15	301000686	2	WIRE TERMINAL 4X2.5mm TYPE 264	
16	301000689	1	END PLATE GREY 4MM TYP 264	
17	301000722	1	WIRE H07V-K 4-POL. AEH US	[4]
18	101117724	1	POWER TRANSFORMER 230/400-24/8V T70	[5]
18	301001059	1	TRANSFORMER 220AT 460V 24	[6]
19	103822313	1	CONTACTOR CJX2-D25 25A 24V 3P+NO/US	[7]
20	3812385	1	FUSE D5x20 6.3A VISCOUS US	
21	3807914	1	FUSE HOLDER	
22	3807906	1	TERMINAL STEIP WK4	
23	301000734	1	END PLATE	
24	301000684	1	RELAY HOLDER35X25X16	
25	26817	1	ALL-OR-NOTHING RELAY	
26	41573	1	SOCKET F. RELAY	[8]
27	8819	1	CABLE STRAP 4.5X1X350	
28	103821729	1	FUSE 5X20 2A T 250V	
29	24499	1	FINE-WIRE FUSE	

Part Notes:

- [1] - For main circuit board
- [2] - * SEE NOTE
PLEASE CONTACT CARWASH DIRECTLY
- [3] - CLOSED WHEN STOCK EMPTY
- [4] - not 500V
- [5] - *EU* 230V/400V 24V/8V
- [6] - *US*
- [7] - 100-C23KJ10 24/50-60
- [8] - PLEASE CONTACT CARWASH DIRECTLY

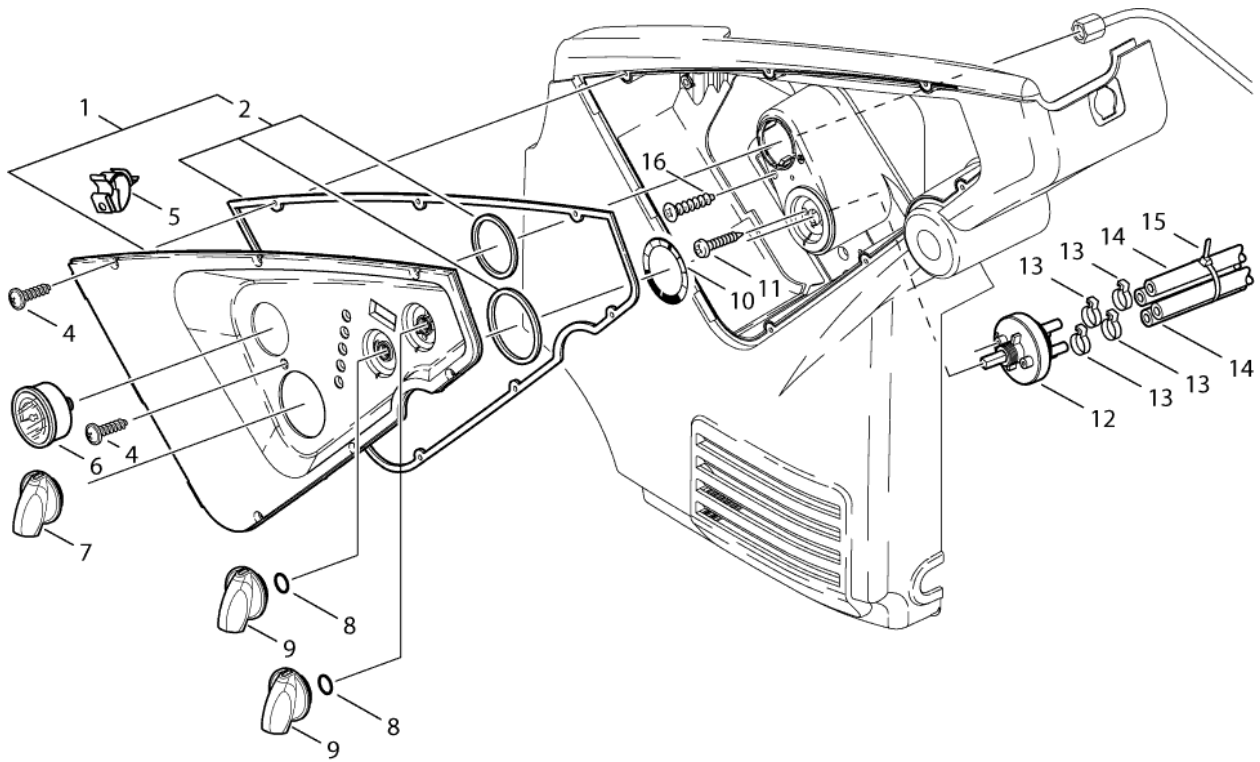


NEPTUNE8-111

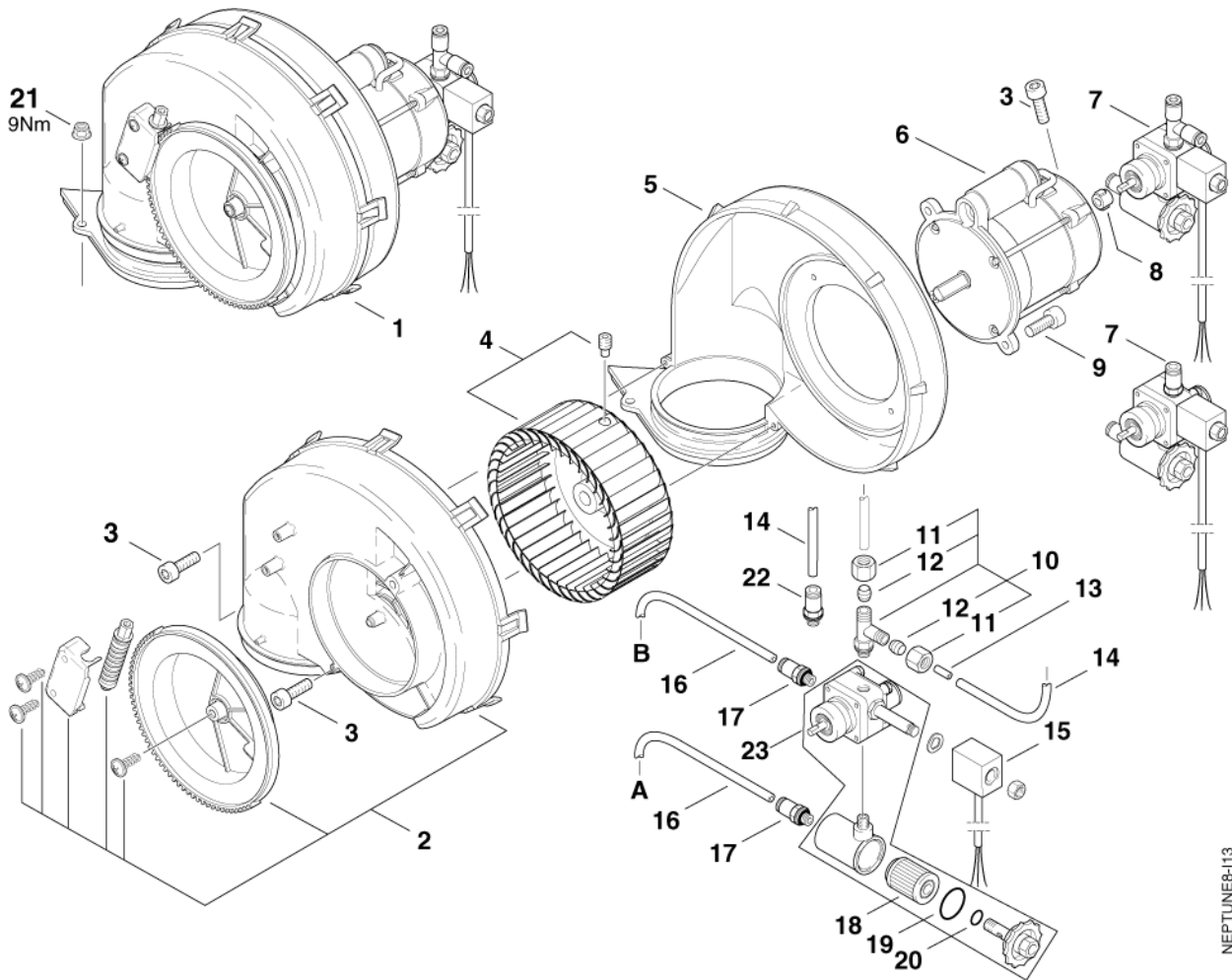
Pos.	Numer Produktu	ilość	Opis	Notes
1	301001825	1	CORD 4-POL.	
2	301000732	1	BEZPIECZNIK	
3	3803780	2	PRZEPUST 10-14C	[1]
4	301001196	1	CZUJNIK POZIOMU OLEJU	
5	301000615	1	POKRYWA	
6	301002458	1	STYCZNIK	
7	301000729	1	CZUJNIK PŁOMIENIA	
8	301000731	1	MIKROWŁACZNIK 250V	[2]
9	301000730	1	CZUJNIK TEMPERATURY	
10	1081	1	NAKRĘTKA L12 DIN 3870-A ST/ZN	
11	28877	1	SWITCH 10A 400V AC	
12	301001091	1	ROPE D1.2X365	
13	8819	4	CABLE STRAP 4.5X1X350	
14	301000719	1	CORD TRANSFORMER 230AT 4G	[3]
14	301000720	1	CORD TO TRANSFORMER 400V	[4]
15	301001845	1	POWER CORD H07RN-F 4G2.5X6.0CEE5 32A6H	[5]
16	909100198	1	SCREWED CABLE GLAND M25X1.5	
17	909100020	1	HEXAGON THIN NUT M25X1.5 EN 50262 PA	
18	301000833	1	POWER CORD H07RN-F 4G2.5X6.0	[3]
18	301001466	1	POWER CORD SJOW AWG12/4X11	[6]
19	301002391	1	CABLE 4-POLE 550V-TRAFO	[3]

Part Notes:

- [1] - 500V = 3 pcs.
- [2] - 250V 0,1A
- [3] - 500V
- [4] - 400V/4G1,5
- [5] - *EU* H07RN-F 4G2,5X6
- [6] - *US*
GUARANTEE DATE EXPIRED



Pos.	Numer Produktu	ilość	Opis	Notes
1	301001095	1	COVER COMPLETE	
2	107142622	1	KIT GASKET	
4	1814614	6	ŚRUBA K50X18 Wn1451 A2	
5	301001075	1	WIRE HOLDER D22X38X16	
6	49473	1	MANOMETER 0-315 BAR G1/4 NG50	
7	909100207	1	ROTARY KNOB 6X6+8X8 PP	
8	9868	2	O-RING 10.2X2.5 NBR 70	
9	909100206	2	ROTARY KNOB D6X5 BLUE	
10	301000786	1	LABEL	
11	1814730	2	SCREW 35X10B W1423	
12	301001000	1	ZAWÓR	
13	11654	4	KLAMRA	
14	101406100	1	HOSE DN 6X3 5M	
15	8819	1	CABLE STRAP 4.5X1X350	
16	11253	2	SCREW 5X20 WN1413	

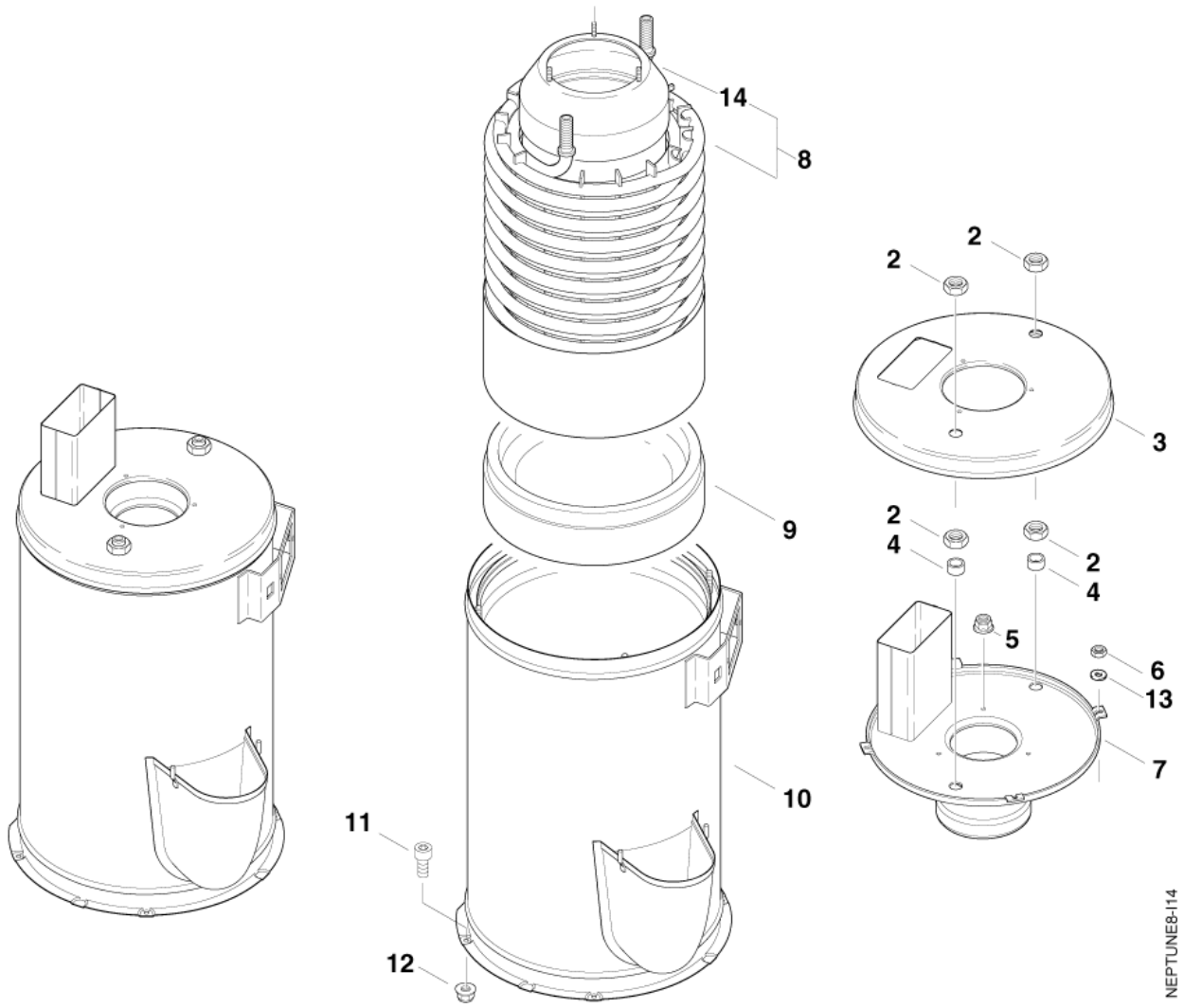


NEPTUNE8-113

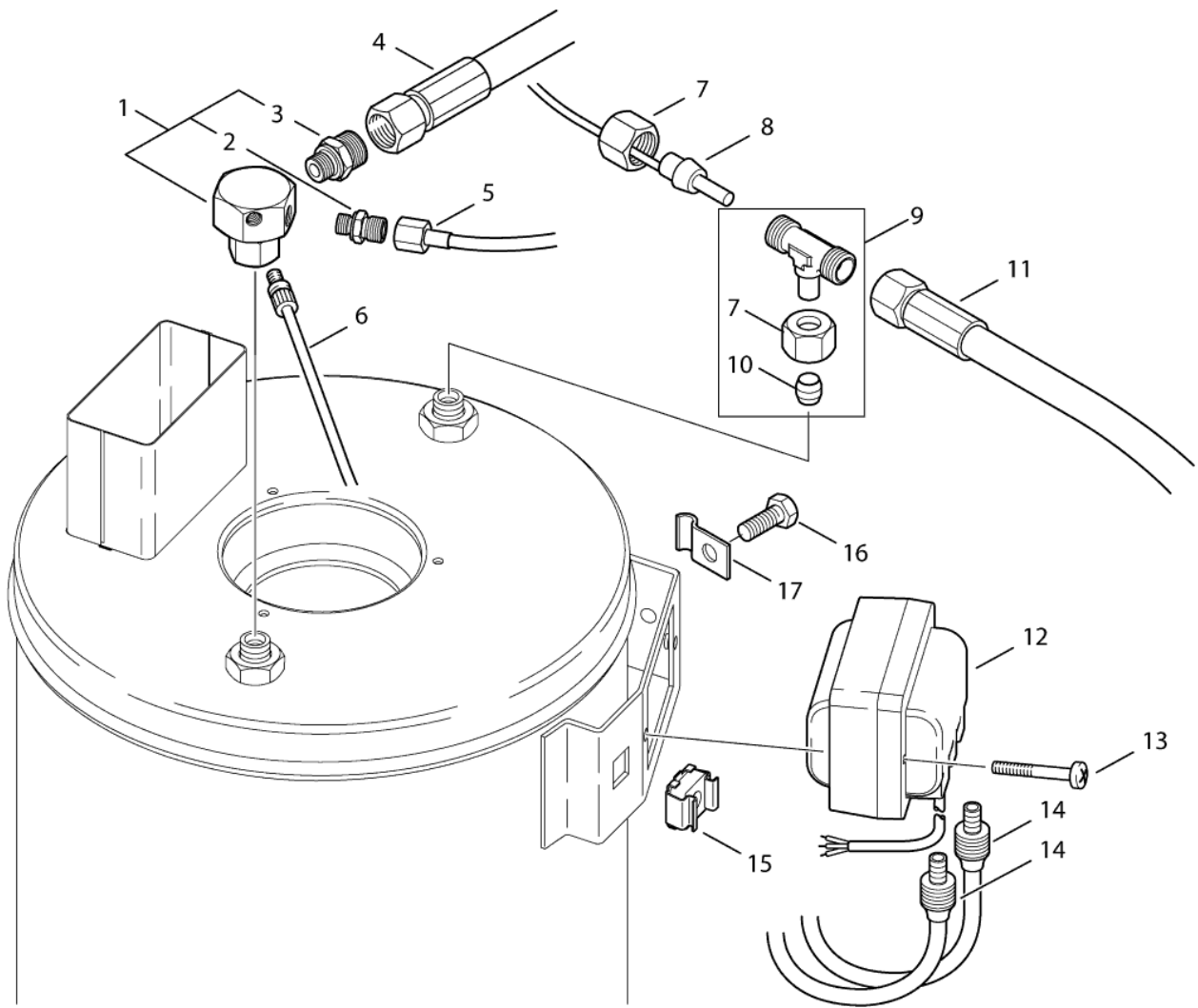
Pos.	Numer Produktu	ilość	Opis	Notes
1	301000908	1	BURNER FAN HOUSING	[1]
1	301001395	1	BURNER FAN HOUSING Kerosine	[2]
2	301000852	1	COVER FOR FAN HOUSING	
3	32535	3	SCREW M5X16	
4	301000889	1	KOŁO WENTYLATORA	
5	301000495	1	FAN HOUSE	
6	106408257	1	MOTOR BURNER - 0.23KW/230V/50HZ/1PH	[3]
6	106408258	1	MOTOR BURNER - 0.29KW/230V/50HZ/1PH	[2]
7	101117988	1	OIL PUMP SP55B 431 DIESEL	[4]
7	301000888	1	FUEL PUMP 24V DIESEL	[5]
7	101117989	1	OIL PUMP SP55B 4316M KEROSENE	[6]
8	1226	1	COUPLING PVC	
9	4697	2	SCREW M6X16	
10	101118040	1	REP.KIT F. OIL PUMP	[5]
11	1603430	2	UNION NUT	[5]
12	1603448	2	PODKŁADKA	[5]
13	301000914	1	SUPPORT 4X14	[5]
14	909100141	1	RURKA Ø4X1 DIN 73378	
15	101117987	1	SOLENOID 24V KIT	[7]
16	106408239	1	TUBE D6 X 1 MEWA DIN 73378 - 5 METERS	
17	29599	2	UNION PIECE Ø6 G1/8 INCH R12 NBR/CuZn-ni	
18	1756	1	FILTR PALIWA	
19	40907	1	O-RING 31.47x1.78 ARP AS 568 A NBR70	
20	9868	1	O-RING 10.2X2.5 NBR 70	
21	12496	2	HEXAGON NUT M6	
22	301002070	1	UNION PIECE 4/G1/8	[8]
23	301002100	1	BASE-FUEL PUMP WITH FILTER	[9]
23	301002101	1	BASE-FUEL PUMP WITH FILTER	

Part Notes:

- [1] - *EU*
- [2] - *US*
- [3] - *EU* 180W/230V/50HZ
- [4] - *EU* |01.04.2005=>
- [5] - =>31.03.2005|
- [6] - *US*
Kerosene
- [7] - 24V/50-60HZ
- [8] - |01.04.2005=>
- [9] - Kerosine



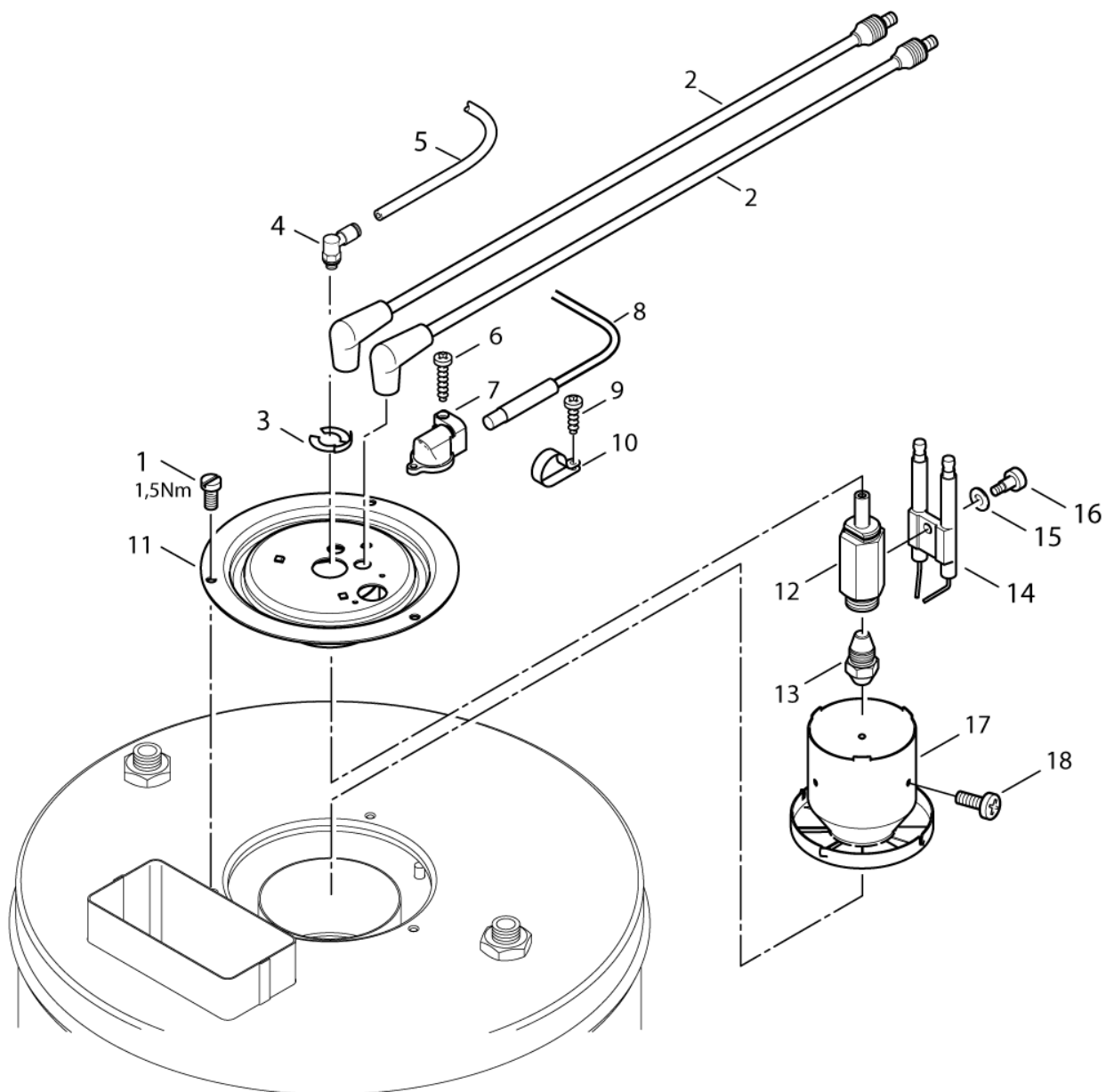
Pos.	Numer Produktu	ilość	Opis	Notes
2	7012	4	HEXAGON NUT M18X1.5	
3	301000534	1	BOILER COVER OUTER	
4	301000582	2	BUSHING Ø22X1.5X24	
5	12496	3	HEXAGON NUT M6	
6	12263	4	HEXAGON NUT M6	
7	301001839	1	BOILER COVER INNER	
8	301001099	1	NAGRZEWNICA	
8	301001342	1	COIL NPT 7 VA	
9	301000916	1	INSULATION Ø320.5X89	
10	301000969	1	BOILER JACKET COMPLETE N7	
11	3913	4	SCREW M6X12	
12	12496	4	HEXAGON NUT M6	
13	2764	4	WASHER 6.4X1.6	
14	301000541	1	OSŁONA	



Pos.	Numer Produktu	ilość	Opis	Notes
1	107140927	1	DYSTRYBUTOR 6KT-SVV36X39 KPL	
2	1821	1	ZŁĄCZE	
3	3938	1	THREADED CONNECTION 1/4 INCH	
4	301001755	1	HP-HOSE DN10X 830 DKL M18X15 3/8	
5	60141	1	WAŻ	
6	301000732	1	BEZPIECZNIK	
7	1081	2	NAKRĘTKA L12 DIN 3870-A ST/ZN	
8	301000730	1	CZUJNIK TEMPERATURY	
9	101118093	1	TROJNIK M18 X 1.5	
10	1080	1	PIERŚCIEŃ L12 B DIN 3861 ST/ZN	[1]
11	301001754	1	HP-HOSE DN10X 800 2XDKL M18X1.5	
12	301000879	1	TRANSFORMATOR	
13	1809821	2	SCREW M5X50 DIN 7985	
14	301000859	2	ZASILACZ Ø7X650	
15	909100152	1	NUT M8	
16	1803543	1	SCREW M4X10	[2]
17	909100379	1	CLAMP 1-4-W1-1	[2]

Part Notes:

- [1] - PLEASE CONTACT CARWASH DIRECTLY
 [2] - |01.04.2005=>



Pos.	Numer Produktu	ilość	Opis	Notes
1	4820	3	SCREW M5X10	
2	301000859	1	ZASILACZ Ø7X650	
3	101117876	1	CIRCLIPS	
4	101117913	1	ELBOW 4/M5 PUSH-IN	
5	909100141	1	RURKA Ø4X1 DIN 73378	
6	5606	1	SCREW 2.9X19	
7	301000934	1	HOLDER FLAMESENSOR	
8	301000729	1	CZUJNIK PŁOMIENIA	
9	4036	2	SHEET METAL SCREW 2.9X9	
10	301001069	1	HOLDER Ø 4.8	
11	301000606	1	COVER D150X38	
12	101117915	1	OIL NOZZLE HOLDER	
13	101118013	1	FUEL NOZZLE 2.25 GAL/H 60 DEG H KIT	[1]
14	301150009	1	ELEKTRODY	
15	909100144	1	SPRING WASHER B5	
16	909100143	1	PAN HEAD SCREW M4X 4.5	
17	301001833	1	AIR DISTRIBUTOR D90X59.2	
18	51848	3	OVAL HEAD SCREW M3X4	

Part Notes:

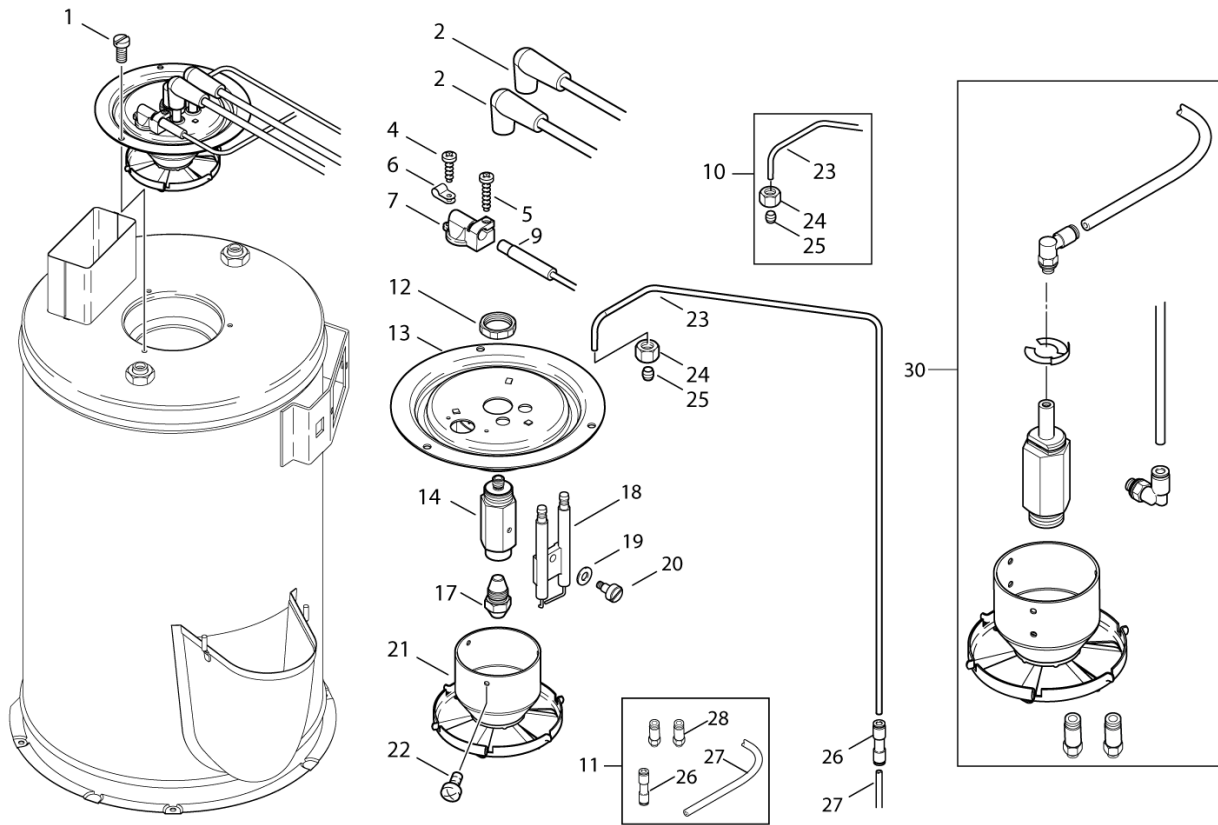
[1] - 8-103

Burner unit

NEPTUNE 8-103 / MH 8P 180/2000

2015.05.19

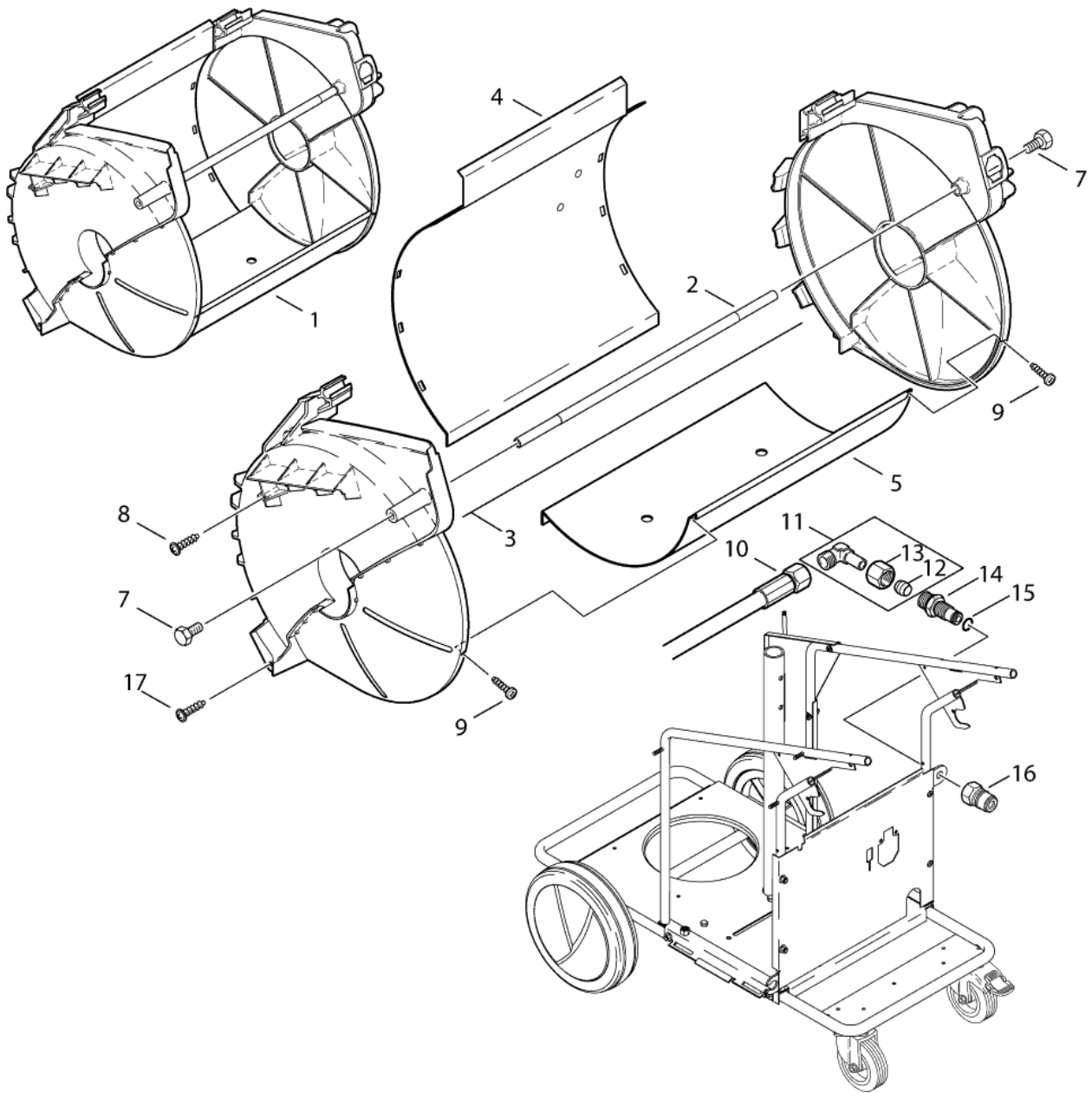
2016.08.12



Pos.	Numer Produktu	ilość	Opis	Notes
1	4820	3	SCREW M5X10	
2	301000859	2	ZASILACZ Ø7X650	
4	4036	1	SHEET METAL SCREW 2.9X9	
5	5606	1	SCREW 2.9X19	
6	301001069	1	HOLDER Ø 4.8	
7	301000934	1	HOLDER FLAMESENSOR	
9	301000729	1	CZUJNIK PŁOMIENIA	
10	101118039	1	REP.KIT CU PIPE F. N5 N7	
11	101118040	1	REP.KIT F. OIL PUMP	
12	301150009	1	ELEKTRODY	
13	301000606	1	COVER D150X38	
14	301001548	1	HOLDER OIL ATOMIZER SW22X65.5	
15	909100143	1	PAN HEAD SCREW M4X 4.5	
17	101118013	1	FUEL NOZZLE 2.25 GAL/H 60 DEG H KIT	[1]
18	301150009	1	ELEKTRODY	
19	909100144	1	SPRING WASHER B5	
20	909100143	1	PAN HEAD SCREW M4X 4.5	
21	301001833	1	AIR DISTRIBUTOR D90X59.2	
22	51848	3	OVAL HEAD SCREW M3X4	
23	909100141	1	RURKA Ø4X1 DIN 73378	[2]
24	1603430	1	UNION NUT	[2]
25	1603448	1	PODKŁADKA	[2]
26	301001912	1	UNION PIECE 4/4	[2]
27	909100141	1	RURKA Ø4X1 DIN 73378	
28	301002070	1	UNION PIECE 4/G1/8	
30	101118038	1	REP.KIT F. BURNER N7 NOT N7-25	
30	101118037	1	REP.KIT F. BURNER N5 N7-25	

Part Notes:

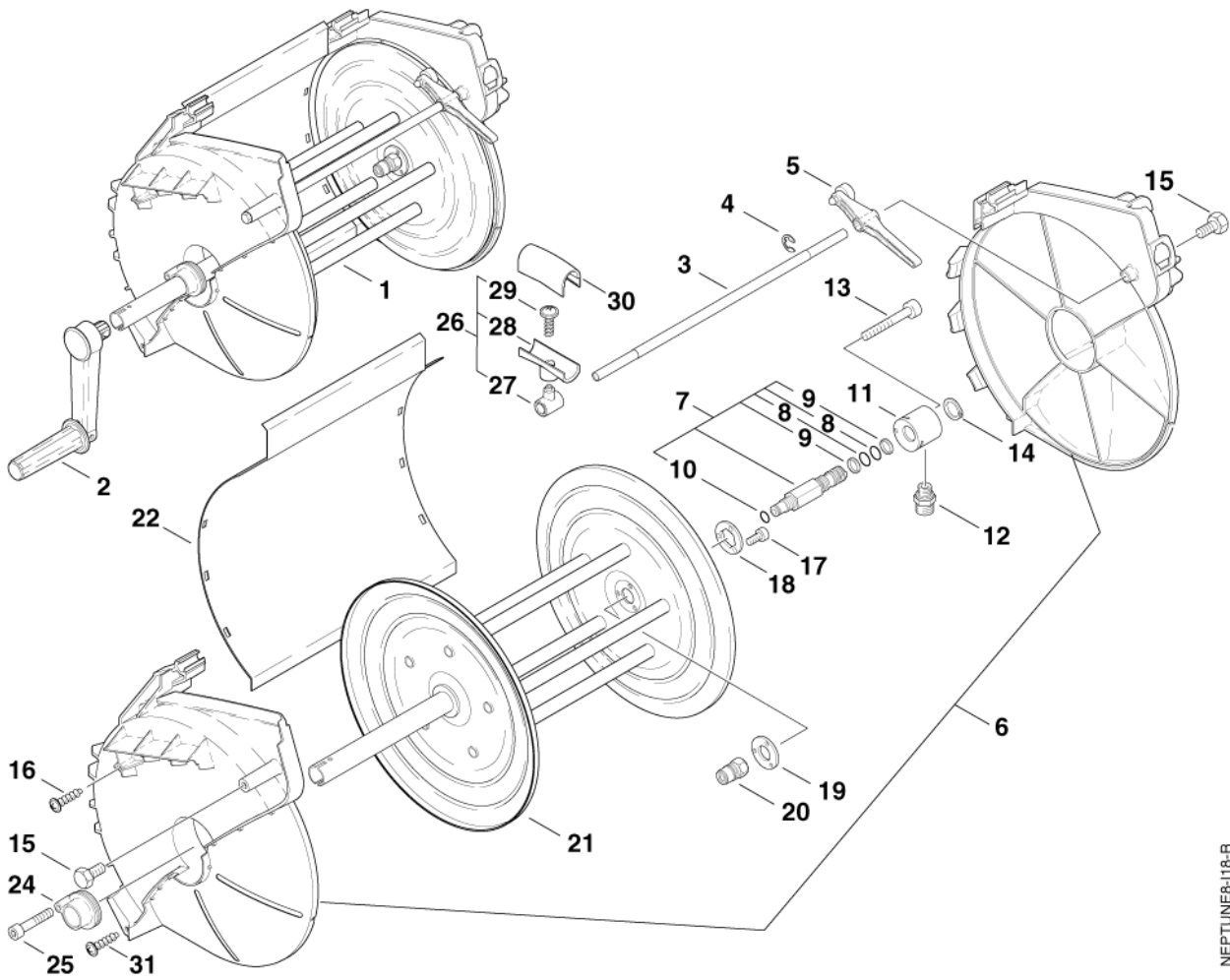
- [1] - 8-103
 [2] - |01.04.2005=>



Pos.	Numer Produktu	ilość	Opis	Notes
1	301000708	1	BASKET	[1]
2	301000668	1	GUIDE BAR Ø12X451	[2]
3	301001359	1	HOSE REEL CABINET LEFT/RIGHT	[3]
4	301000602	1	SHEET METAL 390X262X142	[3]
5	301000601	1	SHEET METAL 390X261X142	[3]
7	6557	2	SCREW M8X16	
8	11565	2	SCREW 5X18 WN1411	
9	18086	2	SCREW 2.9X13	[3]
10	301001754	1	HP-HOSE DN10X 800 2XDKL M18X1.5	
11	101118094	1	ZŁĄCZE M18X1.5	
12	1080	1	PIERŚCIEŃ L12 B DIN 3861 ST/ZN	[4]
13	1081	1	NAKRETKA L12 DIN 3870-A ST/ZN	
14	301000627	1	ZŁĄCZE	
15	42768	1	O-RING 11.2x1.8 DIN 3771 NBR70	
16	1600493	1	ZŁĄCZE MĘSKIE ERGO 3/8"	
17	43341	2	SCREW 5X30	

Part Notes:

- [1] - consisting of: *
- [2] - *
NO LONGER AVAILABLE
- [3] - *
- [4] - PLEASE CONTACT CARWASH DIRECTLY

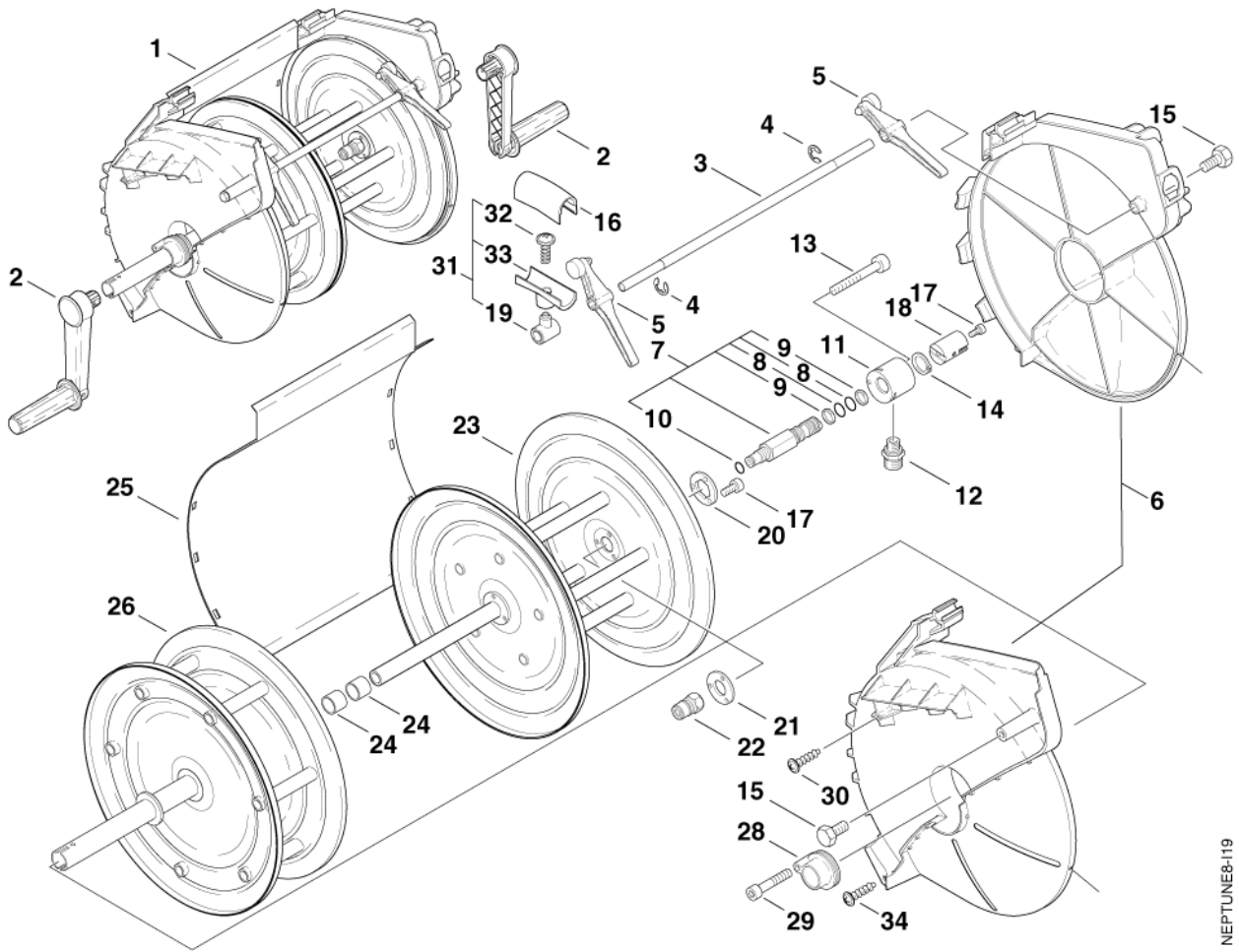


NEPTUNE8-118-F

Pos.	Numer Produktu	ilość	Opis	Notes
1	301000851	1	HOSE REEL 50M	[1]
2	301000733	1	CRANK 190X175X45	[1]
3	301000668	1	GUIDE BAR Ø12X451	[2]
4	1814466	1	SAFETY WASHER D9 A2 DIN 6799	[1]
5	301000746	1	BRAKE FOR HOSE REEL	[1]
6	301001359	1	HOSE REEL CABINET LEFT/RIGHT	[1]
7	301001096	1	HP-HOISTING RING	[1]
8	19620	2	O-RING 15.54x2.62 DIN 3771 NBR70	[1]
9	63792	2	SUPPORTING RING 16.26X2.18	[1]
10	42768	1	O-RING 11.2x1.8 DIN 3771 NBR70	[1]
11	301000624	1	HOISTING RING HOUSING 45X4	[1]
12	54590	1	FITTING XGE12L 1/4NPT	[1]
13	5100	1	SCREW M6X45 ISO 4762	[1]
14	1802057	1	CIRCLIP EXTERNAL 20X1.2 STEEL. DIN 471	[1]
15	6557	2	SCREW M8X16	[1]
16	11565	2	SCREW 5X18 WN1411	[1]
17	3913	3	SCREW M6X12	[1]
18	301000653	1	PODKŁADKA Ø 45X4	[1]
19	301000850	1	WASHER Ø2	[1]
20	1600493	1	ZŁĄCZE MĘSKIE ERGO 3/8"	[1]
21	301000698	1	HOSE REEL 50M	[1]
22	301000602	1	SHEET METAL 390X262X142	[1]
24	301000849	1	BEARING LEFT Ø 50X33	[1]
25	5945	1	SCREW M6X30	[1]
26	301000780	1	HOSE GUIDE 70X40	[1]
27	301000672	1	HOSE GUIDE SLEEVE 33.2X2	[1]
28	301000676	1	HOSE GUIDE SECTION LOWER	[1]
29	10028	1	SRUBA KA50X14 WN1411	[1]
30	301000674	1	HOSE GUIDE SECTION - UPPER 70X31.7X28.5	[1]
31	43341	2	SCREW 5X30	[1]

Part Notes:

- [1] - X-models
 [2] - X-models
 NO LONGER AVAILABLE

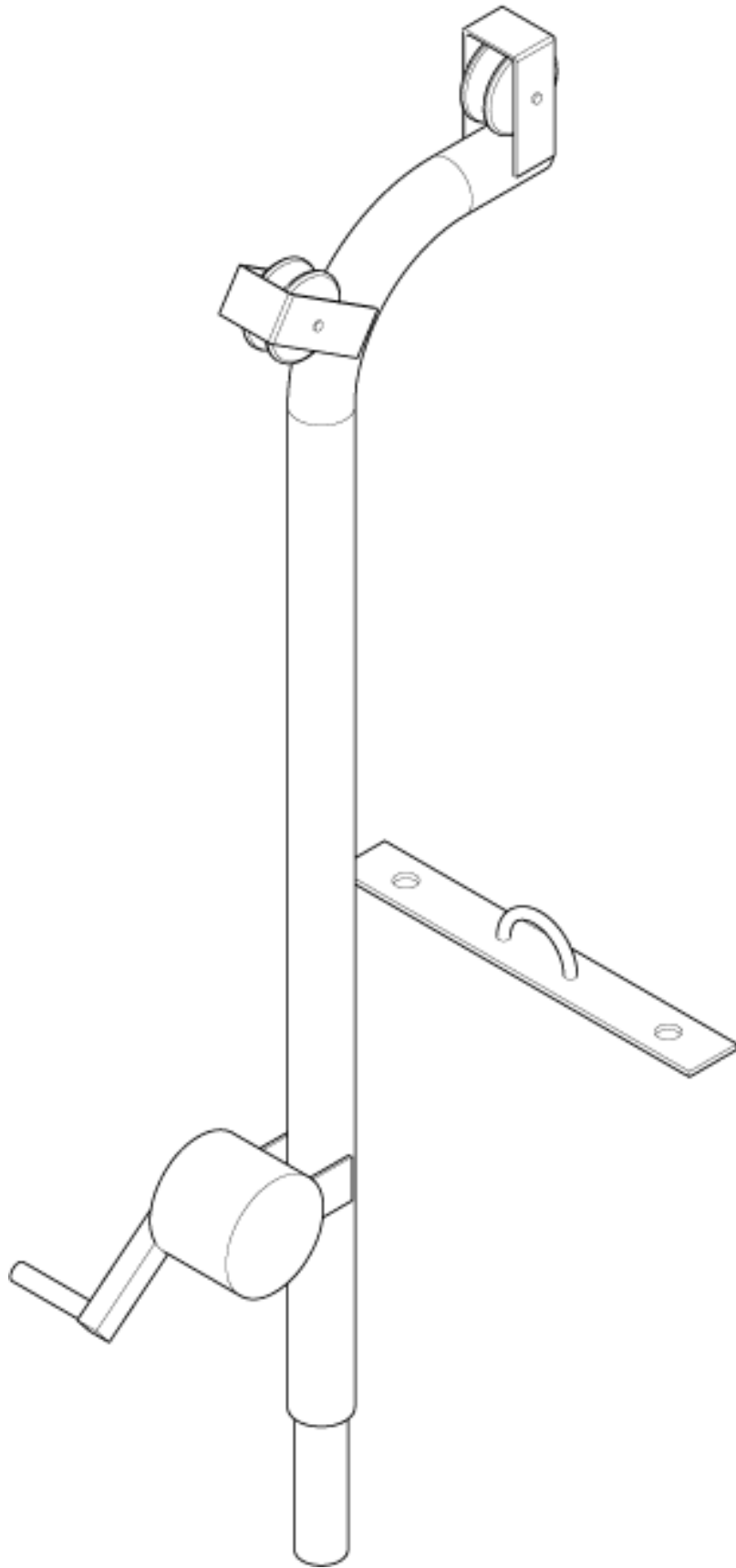


NEPTUNE8-119

Pos.	Numer Produktu	ilość	Opis	Notes
1	301001130	1	HOSE CORD REEL SET	[1]
2	301000733	2	CRANK 190X175X45	[1]
3	301000668	1	GUIDE BAR Ø12X451	[2]
4	1814466	2	SAFETY WASHER D9 A2 DIN 6799	[1]
5	301000746	2	BRAKE FOR HOSE REEL	[1]
6	301001359	1	HOSE REEL CABINET LEFT/RIGHT	[1]
7	301001096	1	HP-HOISTING RING	[1]
8	19620	2	O-RING 15.54x2.62 DIN 3771 NBR70	[1]
9	63792	2	SUPPORTING RING 16.26X2.18	[1]
10	42768	1	O-RING 11.2x1.8 DIN 3771 NBR70	[1]
11	301000624	1	HOISTING RING HOUSING 45X4	[1]
12	54590	1	FITTING XGE12L 1/4NPT	[1]
13	5100	1	SCREW M6X45 ISO 4762	[1]
14	1802057	1	CIRCLIP EXTERNAL 20X1.2 STEEL. DIN 471	[1]
15	6557	2	SCREW M8X16	[1]
16	301000674	1	HOSE GUIDE SECTION - UPPER 70X31.7X28.5	[1]
17	3913	4	SCREW M6X12	[1]
18	301000625	1	ADAPTER Ø28X48	[1]
19	301000672	1	HOSE GUIDE SLEEVE 33.2X2	[1]
20	301000653	1	PODKŁADKA Ø 45X4	[1]
21	301000850	1	WASHER Ø2	[1]
22	1600493	1	ZŁĄCZE MĘSKIE ERGO 3/8"	[1]
23	301000662	1	HOSE REEL 30M	[1]
24	301001179	2	BEARING BUSHING 22X 24X2	[1]
25	301000602	1	SHEET METAL 390X262X142	[1]
26	301000654	1	CORD REEL Ø 351X363	[1]
28	301000849	1	BEARING LEFT Ø 50X33	[1]
29	5945	1	SCREW M6X30	[1]
30	11565	2	SCREW 5X18 WN1411	[1]
31	301000780	1	HOSE GUIDE 70X40	[1]
32	10028	1	SRUBA KA50X14 WN1411	[1]
33	301000676	1	HOSE GUIDE SECTION LOWER	[1]
34	43341	2	SCREW 5X30	[1]

Part Notes:

- [1] - X2-models
- [2] - X2-models
NO LONGER AVAILABLE



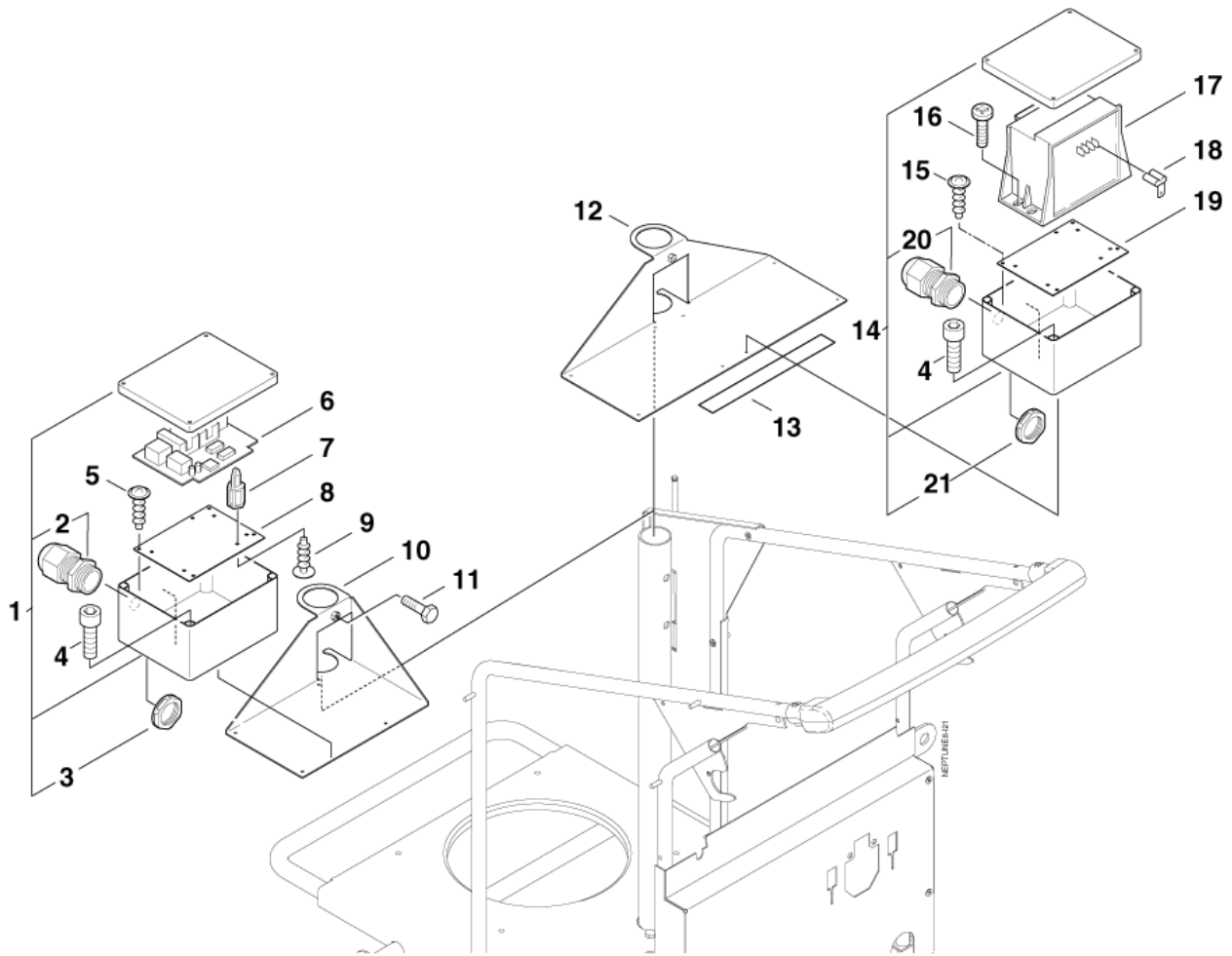
Service crane

NEPTUNE 8-103 / MH 8P 180/2000

2015.05.19

2013.04.02

Pos.	Numer Produktu	ilość	Opis	Notes
01	301001078	1	SERVICE CRANE	

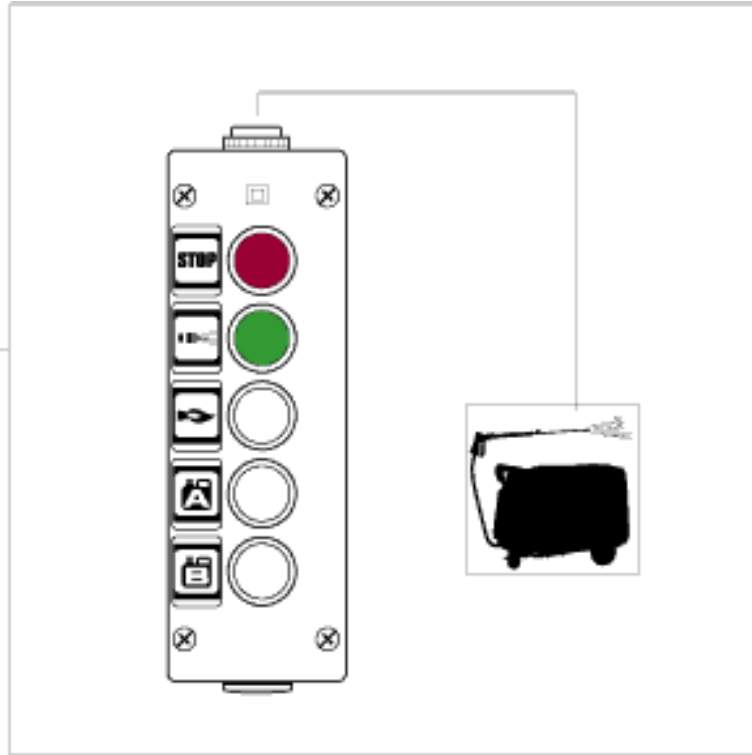


Pos.	Numer Produktu	ilość	Opis	Notes
1	301001824	1	HOUSING 170X140X95 PC H 95 G PC	
2	64902	1	SCREWED CABLE GLAND METRIC M20X1.5	
3	909100019	1	NAKRETKA M20X1.5 EN 50262	
4	3482	4	SCREW M4X16	[1]
5	11254	4	SCREW 3.5X10 WN1411	
6	301002176	1	START-UP ELECTRONIC UP TO 11KW 460-500V	[2]
6	301001743	1	ELECTRONIC 400V	[3]
7	4600771	4	DISTANCE PIECE	[4]
8	301001885	1	MOUNTING PLATE 102.5X139X1.5 ST	
9	909100046	4	SCREW 4X8	
10	301001798	1	PICK-UP ATTACHMENT 230X195X104 ST	
11	2754	1	HEX. SCREW M6X16 ISO 4017 ST 8.8/ZN	
12	301002366	1	BRACKET SWITCH BOX	[5]
13	1423	1	Kantenschutz MeWa	[6]
14	301002390	1	HOUSING 180X130X100 PC 150/100 LG	[7]
15	1813310	4	SCREW	[8]
16	1813781	4	SCREW M5X8	[9]
17	301001733	1	TRANSFORMER 500V/230V 500VA	[10]
18	909100080	4	FLAT PIN BUSHING 6.3X0.8	[7]
19	301002354	1	MOUNTING PLATE 110X160X2	[7]
20	64901	1	SCREWED CABLE GLAND M16X1.5	[9]
21	909100018	1	HEXAGON THIN NUT	[9]

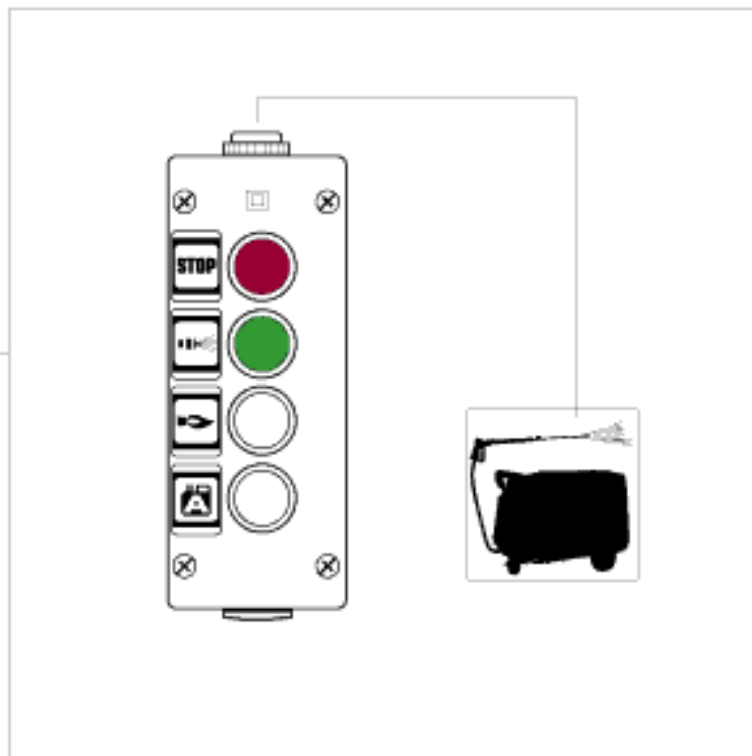
Part Notes:

- [1] - 500V = 8 pcs.
- [2] - *US*
- [3] - *EU*
- [4] - Subtype local item
- [5] - 500V
NO LONGER AVAILABLE
- [6] - 500V * SEE NOTE
OUTPHASED
- [7] - 500V
STOCK COVERS GUARANTEE
- [8] - 500V
PRODUCTION ONLY
- [9] - 500V
- [10] - 500V
GUARANTEE DATE EXPIRED

1



2



Pos.	Numer Produktu	ilość	Opis	Notes
1	301001356	1	STEROWNIK KPL. 2X DETERGENT	
2	301001355	1	ZDALNE STEROWANIE 1X DETERGENT	
NI	301001357	1	ELECTRONIC UNIT FOR REMOTE CONTROL	[1]

Part Notes:

[1] - Print for remote control

Pos.	Numer Produktu	ilość	Opis	Notes
0-	106402190	1	PISTOLET ERGO 3000	[1]
00	1402064	1	WAŻ DN10 15 M 2W 3/8X3/8	[2]
00	6101766	1	WAŻ 10 M 3/8IN DN10	[2]
00	101119496	1	ERGO ZŁĄCZE KOMPL.	
02	106403010	1	LANCA TORNADO PLUS 1120 ZAKRZYWIONA	[3]
02	101119758	1	DYSZA TORNADO 1200 1/8"NPT caramel	

Part Notes:

- [1] - See ERGO 3000 Spray handle with swivel lock - from 15.09.03
- [2] - HOSES Overview
- [3] - TORNADO PLUS lance

Total check kits

NEPTUNE 8-103 / MH 8P 180/2000

2014.11.27

2013.04.02

Pos.	Numer Produktu	ilość	Opis	Notes
01	301002929	1	TOTAL CHECK N8 KIT A	[1]
01	301002930	1	TOTAL CHECK N8 KIT B	[1]

Part Notes:

[1] - GUARANTEE DATE EXPIRED

Pos.	Numer Produktu	ilość	Opis	Notes
0A	107145440	1	STRAINER VALVE COMPL. KIT	[1]
0A	13739	1	O-RING 10X2 DIN 3770 NBR70	[1]
0A	24499	1	FINE-WIRE FUSE	[1]
0A	43127	1	FLOAT VALVE	[1]
0A	101117988	1	OIL PUMP SP55B 431 DIESEL	[1]
0A	301000916	1	INSULATION Ø320.5X89	[1]
0A	301002101	1	BASE-FUEL PUMP WITH FILTER	[1]
0A	107145440	1	STRAINER VALVE COMPL. KIT	[1]
0A	33998	1	FILTER	[1]
0A	301150009	1	ELEKTRODY	[1]
0A	301002051	1	KIT OIL SEALING	[1]
0A	101118013	1	FUEL NOZZLE 2.25 GAL/H 60 DEG H KIT	[1]
0A	101117989	1	OIL PUMP SP55B 4316M KEROSENE	[2]
0A	301002053	1	ZESTAW USZCZELNIENIEN	[1]
0A	301002039	1	ZESTAW ZAWORÓW	[1]
0A	24347	1	O-RING 21.0x2.5 DIN 3770 FPM80	[3]
0A	301002055	1	KIT SUPPORT RING D22 3	[1]
0A	301002054	1	KIT SUPPORT RING D20 3	[1]
0A	16998	1	O-RING	[1]
0A	107318254	1	O-RING 24X2.0 NBR70	[1]
0A	64314	1	ZESTAW NAPRAWCZY	[1]
0A	301000905	1	TŁOK	[1]
0A	301002926	1	FILTR	[1]
0A	301002100	1	BASE-FUEL PUMP WITH FILTER	[1]
0A	40907	1	O-RING 31.47x1.78 ARP AS 568 A NBR70	[1]
0A	9868	1	O-RING 10.2X2.5 NBR 70	[1]
0A	1756	1	FILTR PALIWA	[1]
0A	301002052	1	KIT PISTON SEALING D20	[1]
0A	56519	1	O-RING	[1]
0B	301002049	1	KIT PISTON D20	[4]
0B	301002050	1	KIT PISTON D22	[4]
0B	301001800	1	CONTACT PISTON	[4]
0B	301000729	1	CZUJNIK PŁOMIENIA	[4]
0B	301001096	1	HP-HOISTING RING	[4]
0C	301001754	1	HP-HOSE DN10X 800 2XDKL M18X1.5	[5]
0C	301001059	1	TRANSFORMER 220AT 460V 24	[5]
0C	301000879	1	TRANSFORMATOR	[5]
0C	301000778	1	KOLANKO Ø30,9X34	[5]
0C	301001000	1	ZAWÓR	[5]
0C	103822313	1	CONTACTOR CJX2-D25 25A 24V 3P+NO/US	[5]
0C	301002458	1	STYCZNIK	[5]
0C	101117724	1	POWER TRANSFORMER 230/400-24/8V T70	[5]
0C	106408257	1	MOTOR BURNER - 0.23KW/230V/50HZ/1PH	[5]
0C	301000554	1	CASTOR D125 WITH BRAKE	[5]
0C	60141	1	WAŻ	[5]
0C	301000730	1	CZUJNIK TEMPERATURY	[5]
0C	301000678	1	DISPLAY CIRCUIT BOARD	[5]
0C	301001820	1	FITTING D22X92	[5]
0C	301001196	1	CZUJNIK POZIOMU OLEJU	[5]
0C	26817	1	ALL-OR-NOTHING RELAY	[5]
0C	301000732	1	BEZPIECZNIK	[5]
0C	106408258	1	MOTOR BURNER - 0.29KW/230V/50HZ/1PH	[5]
0C	301002123	1	MICROPROCESSOR	[5]
0C	301001099	1	NAGRZEWNICA	[5]
0C	301002396	1	MOTOR 11KW 290V/500V	[6]
0C	107140938	1	MOTOR MEC132 230/400V 3PH 11KW	[5]
0C	301000859	1	ZASILACZ Ø7X650	[5]
0C	301001743	1	ELECTRONIC 400V	[5]
0C	28877	1	SWITCH 10A 400V AC	[5]

Pos.	Numer Produktu	ilość	Opis	Notes
0C	909100380	1	ROLLER BEARING 6208-2ZC3	[5]
0C	301000541	1	OSŁONA	[5]
0C	301001755	1	HP-HOSE DN10X 830 DKL M18X15 3/8	[5]
0C	301000680	1	MAIN CIRCUIT BOARD	[5]
0C	1226	1	COUPLING PVC	[5]
0C	301000911	1	ZAWÓR	[5]
0C	301000731	1	MIKROWŁĄCZNIK 250V	[5]
0C	301002176	1	START-UP ELECTRONIC UP TO 11KW 460-500V	[5]
0C	301001733	1	TRANSFORMER 500V/230V 500VA	[7]
0C	301002458	1	STYCZNIK	[5]
0C	301001196	1	CZUJNIK POZIOMU OLEJU	[5]

Part Notes:

- [1] - A
- [2] - A
Kerosene
- [3] - A
PLEASE CONTACT CARWASH DIRECTLY
- [4] - B
- [5] - C
- [6] - C
NO LONGER AVAILABLE
- [7] - C
GUARANTEE DATE EXPIRED

