

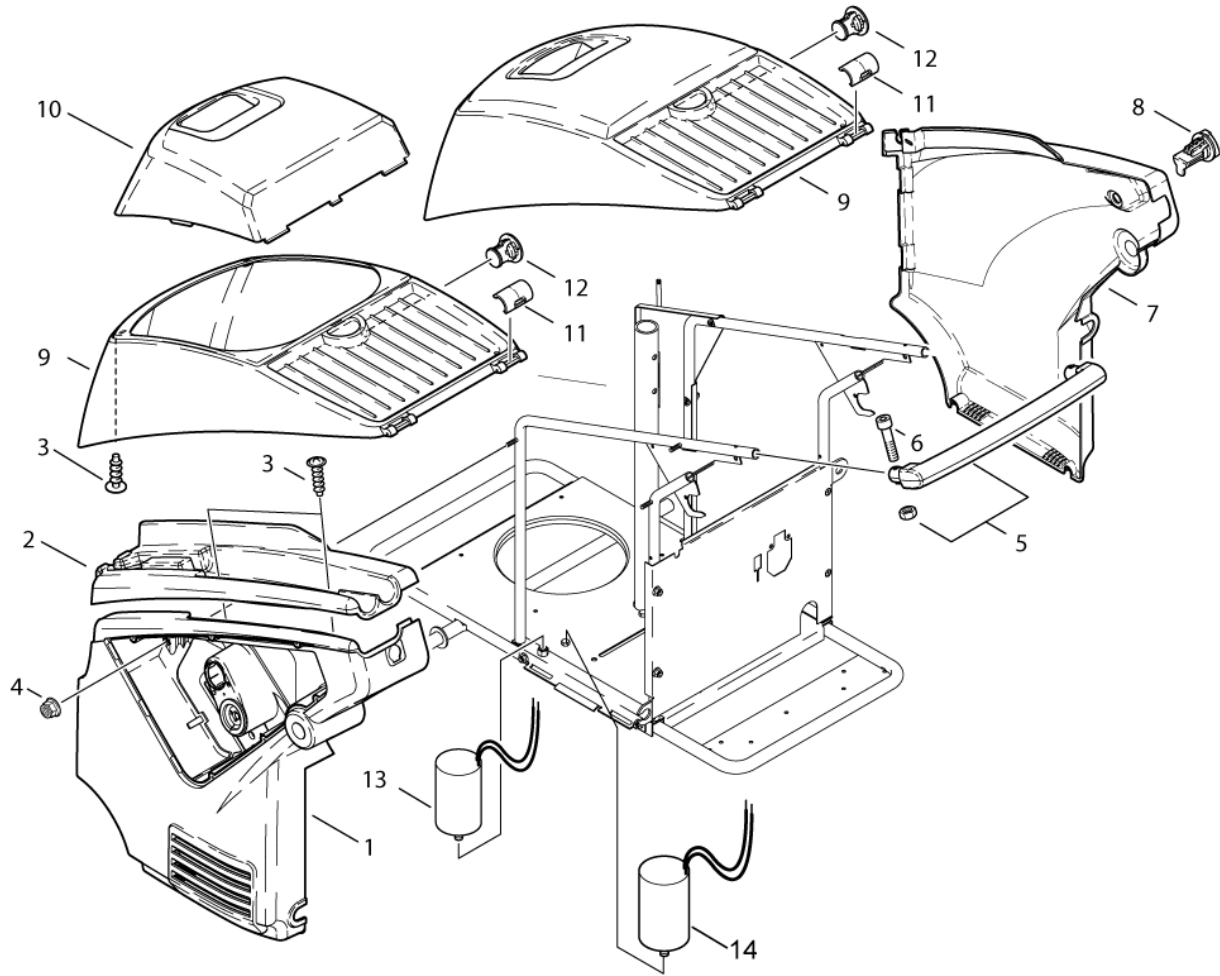
PARTS LIST



2017.07.17

TABLE OF CONTENTS

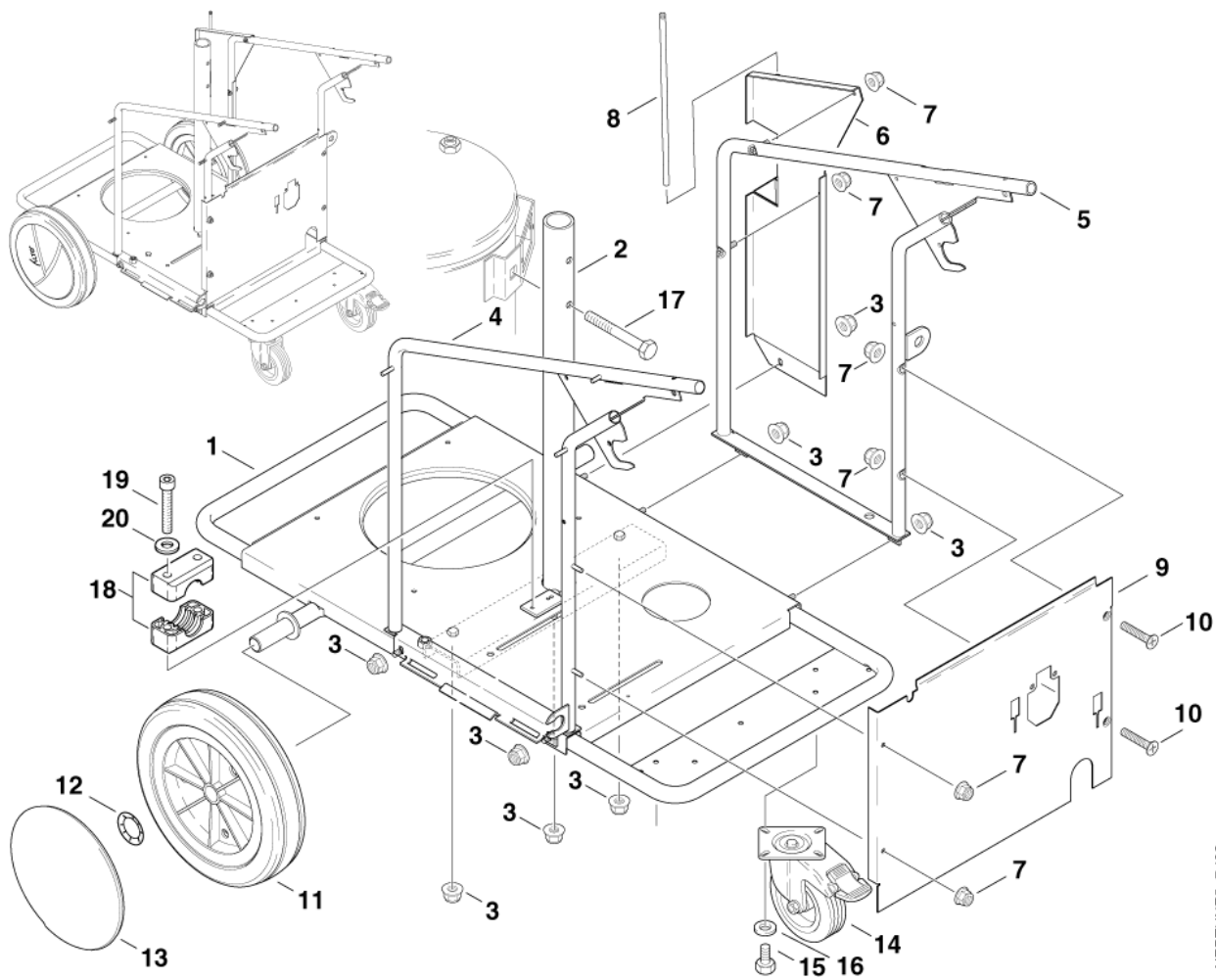
Cabinet	1
Frame	3
Fuel tank, detergent tank	5
Water break tank	7
Anti-scale pump	9
Motor	11
Cylinder block	14
Water flow regulation	16
Electric motor box	18
Electric box	20
Electric box cables	23
Cover electric box	26
Flow control 7FA	28
Flow control (boiler) 7FA	30
Fan	32
Boiler	34
Distributor, ignition transformer 7FA	36
Burner unit from Dec. 2010	38
Burner unit	40
Basket	42
301001131 - Hose reel x-models	44
301001130 - Hose reel - cord reel x2-models	46
Service crane	48
Default accessoires	50
Remote control - accessory	52
Recommended spare parts	54



Pos.	Numer Produktu	ilość	Opis	Notes
1	301000455	1	SIDE CABINET - LEFT	
2	301000454	1	LANCE HOLDER	
3	1814614	4	ŚRUBA K50X18 Wn1451 A2	
4	12496	3	HEXAGON NUT M6	
5	301000447	1	HANDLE PREASSEMBLY	
6	5945	2	SCREW M6X30	
7	301000456	1	SIDE CABINET - RIGHT	
8	301000585	1	DOOR LOCK Ø29X28	
9	301000896	1	SHROUD NEPTUNE 7 BLACK	[1]
9	301000452	1	SHROUD MH 7P - BLUE - NILFISK	
10	301000453	1	COVER NEPTUNE 7 COL.100053	
11	301000457	2	KLIPS	
12	301000584	1	LOCKING BOLT D29X28	
13	301000415	1	CAPACITOR 80MICRONFOR 420V	[2]
14	301000403	1	KONDENSATOR	
14	101118003	1	CAPACITOR 100UF KIT	[3]

Part Notes:

- [1] - 7-25 outphased 2007
Alternative use 301000452
- [2] - 7-25, 7-58 (2x)
- [3] - (Start) 7-58

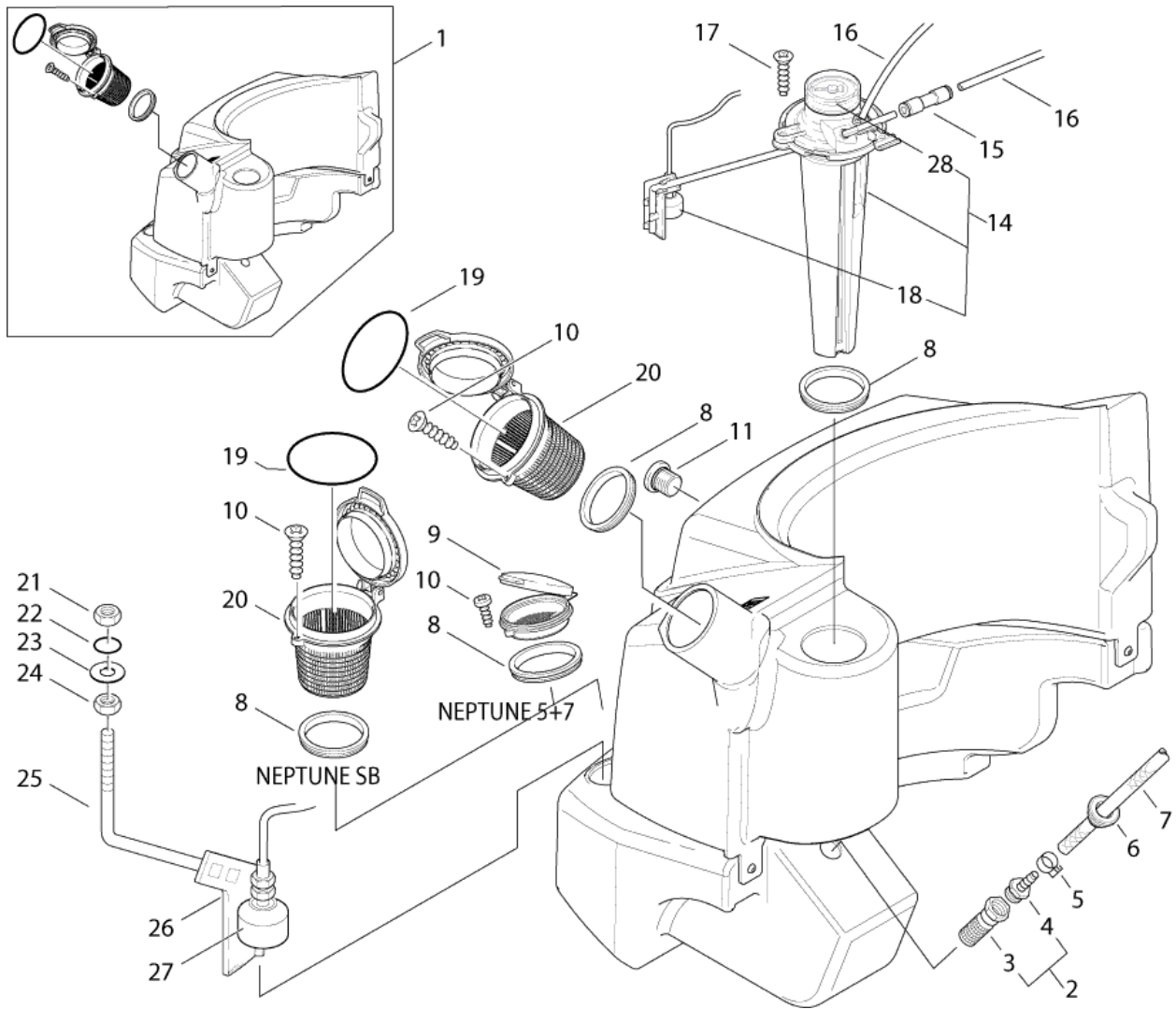


NEPTUNE5+7-103

Pos.	Numer Produktu	ilość	Opis	Notes
1	301000510	1	BASE FRAME NEPTUNE 5 7	
2	301000525	1	CENTRAL TUBE	
3	61467	8	HEXAGON NUT M8	
4	301000557	1	TUBE FRAME - LEFT 800X650X67.5 ST	[1]
4	301000518	1	TUBE FRAME LEFT	
5	301000519	1	TUBE FRAME RIGHT	
6	301000521	1	HINGE PLATE	
7	12496	6	HEXAGON NUT M6	
8	301000706	1	BOLT D8X310	
9	301000523	1	POKRYWA	
10	8947	2	COUNTERSUNK SCREW	
11	6184074	2	KÓŁKO D300	
12	46363	2	CLAMPING RING D25	
13	301001077	2	KOŁPAK	
14	301000554	2	CASTOR D125 WITH BRAKE	
15	5370	8	SCREW M8X10	
16	2762	8	WASHER 8.4X1.6	
17	3453	1	SCREW M8X60	
18	909100368	1	CLAMP D25	[2]
19	9570	2	SCREW M6X40	[3]
20	2764	2	WASHER 6.4X1.6	[3]

Part Notes:

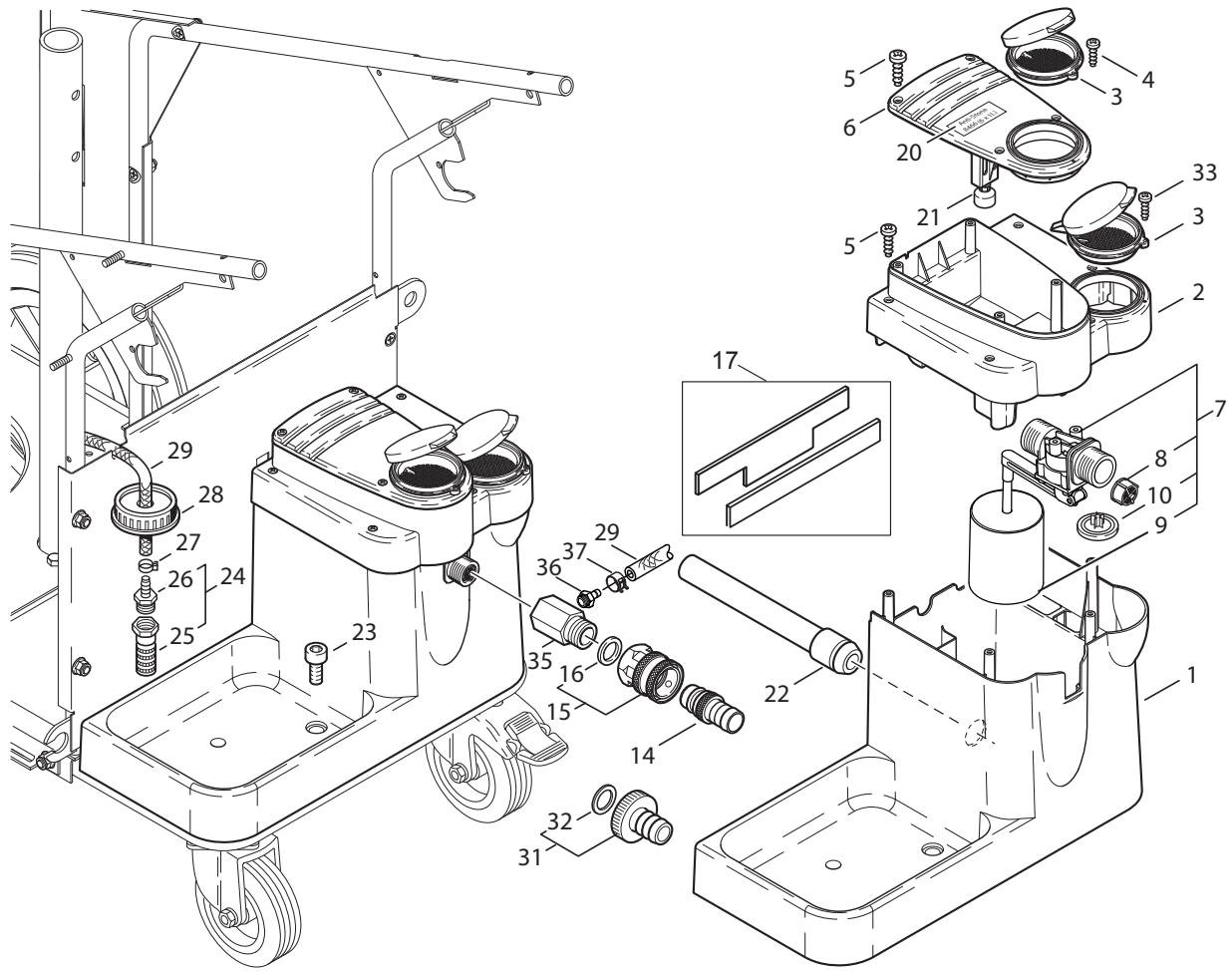
- [1] - 7-58, NEPTUNE 7-63 / MH 7P 175/1260 *JP*, 7-66*US*
- [2] - 7-66
GUARANTEE DATE EXPIRED
- [3] - 7-66



Pos.	Numer Produktu	ilość	Opis	Notes
1	301000458	1	TANK FUEL/DETERGENT NEPTUNE 5+7	
2	107145440	1	STRAINER VALVE COMPL. KIT	
3	107145440	1	STRAINER VALVE COMPL. KIT	
4	5283	1	MOCOWANIE	
5	11654	1	KLAMRA	
6	301000618	1	GASKET Ø 32X20.1	
7	101406100	1	HOSE DN 6X3 5M	
8	301000620	2	GASKET D79.6XD66X10	[1]
9	301000561	1	TANK COVER DETERGENT	
10	18086	2	SCREW 2.9X13	
11	6180906	1	PLUG WITH O-RING	
14	301000644	1	FUEL GAUGE	
15	61442	1	CIRCUIT CONNECTOR	[2]
16	106408239	1	TUBE D6 X 1 MEWA DIN 73378 - 5 METERS	
17	5606	1	SCREW 2.9X19	
18	301001196	1	CZUJNIK POZIOMU OLEJU	
19	909100173	1	O-RING 56.0X5.0 NBR70	
20	301001292	1	FILTR	
28	301000634	1	COVER Ø50.7X17.3 PC	

Part Notes:

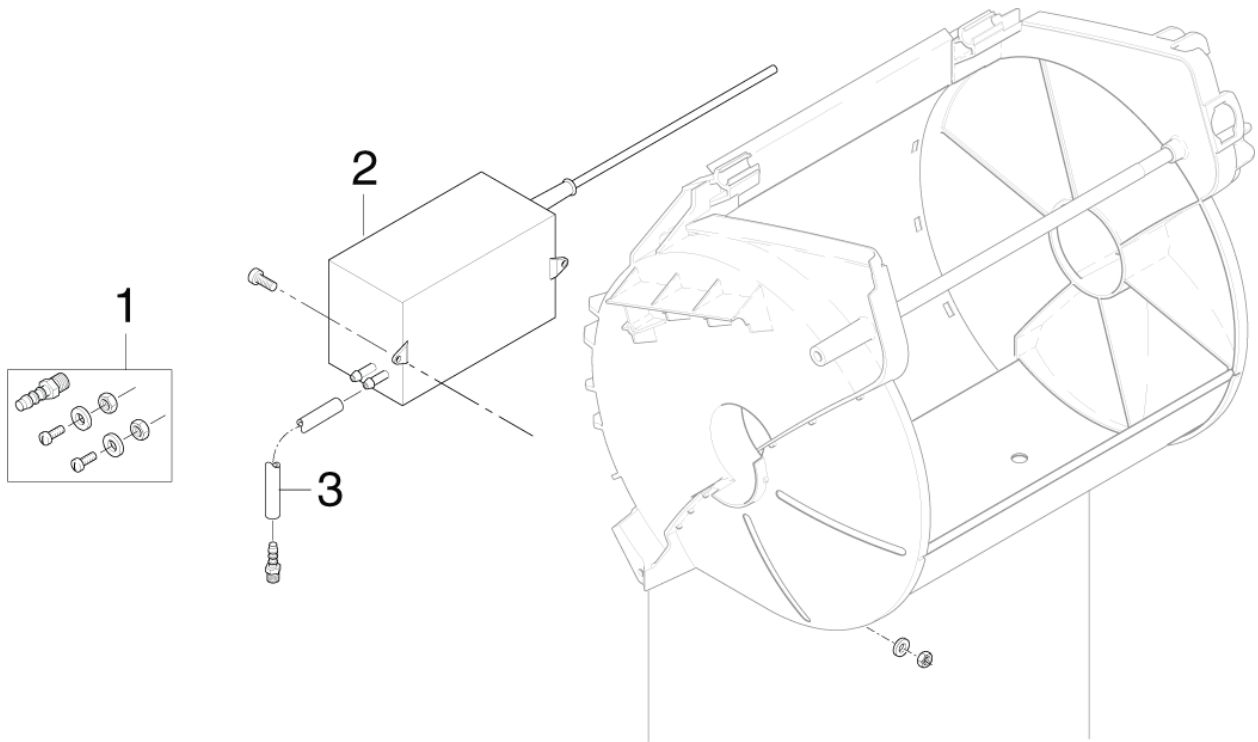
- [1] - TSB-PPW-2013-001 301000620, 301001276
 [2] - PLEASE CONTACT CARWASH DIRECTLY



Pos.	Numer Produktu	ilość	Opis	Notes
1	301000563	1	ZBIORNIK	
2	301000562	1	ANTI SCALE TANK PP	
3	301000561	2	TANK COVER DETERGENT	
4	5606	1	SCREW 2.9X19	
5	909100138	9	SCREW 5X20	
6	301000560	1	COVER ANTI SCALE TANK	
7	101117784	1	ZAWÓR	
8	34218	1	FILTER FOR FLOAT VALVE Ø19 KU	
9	62877	1	SWIMMER Ø 55X60	
10	62878	1	MEMBRANE RUBBER	
14	1600659	1	ZŁĄCZE NITO WĘŻA 3/4"	
14	1605955	1	NIPPLE F. QUICK COUPLING L.P	
15	1602945	1	SZYBKOZŁĄCZE 3/4 Z USZCZELKĄ	
16	3001237	1	GASKET Ø24.5XØ16X3 NITRIL 80SH	
17	101117872	1	GASKET KIT	
18	301001180	1	PLUG 4	
19	301000915	1	LABEL D20	[1]
20	301000932	1	NAKLEJKA	
21	301000695	1	WŁĄCZNIK	
22	301001416	1	WAŻ SSACY D22X275	
23	8892	2	HEXAGON SCREW M8X16 A2 ISO 4762	
24	107145440	1	STRAINER VALVE COMPL. KIT	
25	107145440	1	STRAINER VALVE COMPL. KIT	
26	5283	1	MOCOWANIE	
27	11654	1	KLAMRA	
28	301001004	1	CLOSING CAP W.D 13 HOLE D65X22	[2]
29	101406100	2	HOSE DN 6X3 5M	[3]
30	106408238	1	ADHESIVE TAPE 15X2 MEWA RUBBER- 2 METERS	
31	61369	1	PRZYŁĄCZE WODY 20R 3/4	
32	46487	1	PACKING RING 21X29X2.5	
33	18086	1	SCREW 2.9X13	
34	909100141	1	RURKA Ø4X1 DIN 73378	
35	101117805	1	ADAPTER KIT	
36	301001392	1	HOSE LINER Ø8 M10X1 SW12 CuZn	
37	11654	1	KLAMRA	

Part Notes:

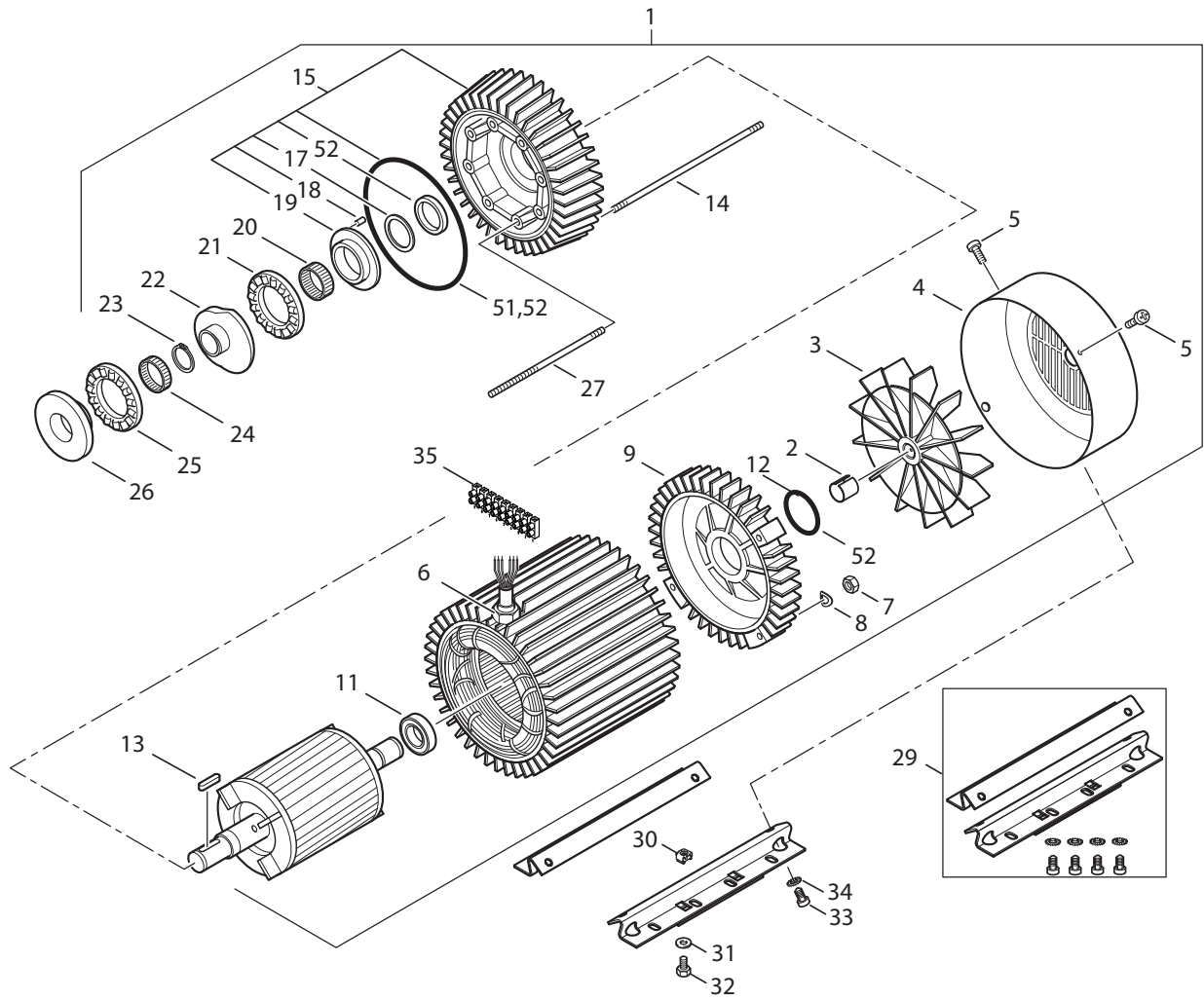
- [1] - STOCK COVERS GUARANTEE
- [2] - Empty container 10L part no. 80518
- [3] - 1,5m



Pos.	Numer Produktu	ilość	Opis	Notes
1	101117831	1	SCREW FITTING F MOUNTING ANTISCALE PUMP	
2	101117828	1	ANTISCALE PUMP ST-15 140ML 24V	[1]
2	101117826	1	ANTISCALE PUMP ST-15 35 ML WITH PLUG 24V	[2]
3	101117833	1	HOSE D3/D5 TRANSPARENT 0.6MM KIT	

Part Notes:

- [1] - NEPTUNE 7 + 8
- [2] - NEPTUNE 5



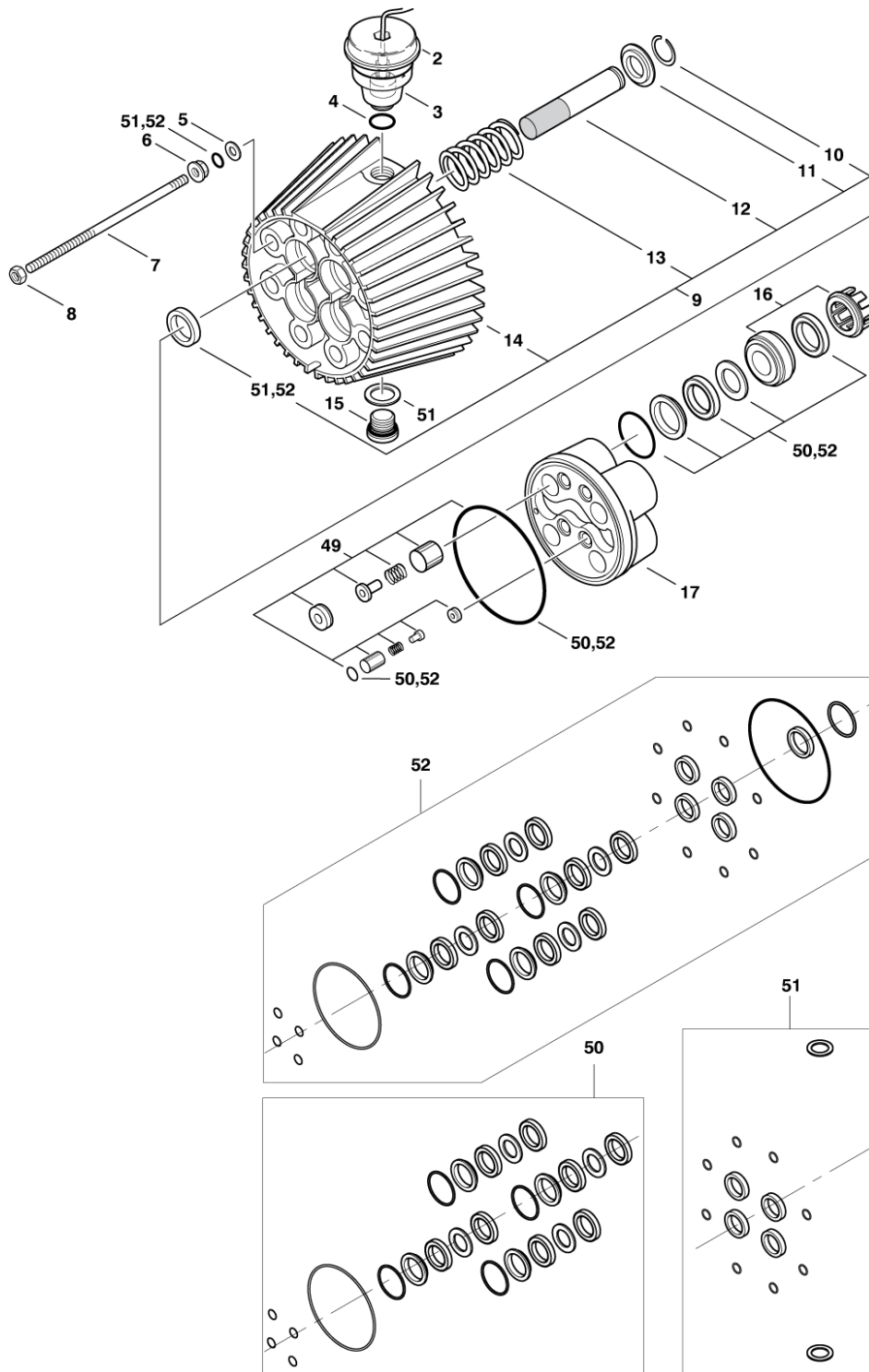
Pos.	Numer Produktu	ilość	Opis	Notes
00	107121000	1	MP UNIT 400-230/3/50 6.5KW NEPTUNE 7	[1]
1	107120753	1	MOTOR 6.5KW 200 3 60	[2]
1	107120751	1	MOTOR 6.5KW 440 220 3 60	[3]
1	107120759	1	MOTOR 2.1KW 230 1 50	[4]
1	107120790	1	MOTOR 7.8KW 440.220/3/60 NEPTUNE	[5]
1	107120750	1	MOTOR 6.5KW 400 415 230 3 50	[6]
1	107120752	1	MOTOR 6.5KW 200 3 50	[7]
1	107120757	1	MOTOR 5.0KW 208 230 1 60	[8]
2	1802503	1	LOCK RING FAN WHEEL	
3	6100605	1	FAN	[9]
3	107142275	1	FAN INCL. LOCK RING	[10]
4	6100609	1	COVER F. FAN	[9]
4	107142276	1	COVER FOR FAN	[10]
5	101814693	2	SCREW M4X 8 EE DIN 7500 A2	
6	107302152	1	BUSH G1 AG/G3/4	
7	2758	4	HEXAGON NUT M8	
8	1801182	4	SPRING WASHER M8	
9	107140617	1	REAR BEARING COVER	[11]
9	6100611	1	REAR BEARING COVER	[12]
9	107142277	1	REAR BEARING COVER	[10]
11	3200623	1	REAR BEARING	[9]
11	31000149	1	REAR BEARING 6306 2Z C3 150 DEGREES RF	[10]
12	107318244	1	O-RING 51.6X2.4 NBR70	
13	3200672	1	TONGUE 6X6X32 A DIN 6885 ST	
14	6100712	4	STAY BOLT L306MM	[13]
14	6100711	4	STAY BOLT L261MM	[14]
15	107140615	1	FRONT BEARING COVER COMPLETE	[15]
15	6101750	1	FRONT BEARING COVER COMP.	[16]
17	6100995	1	WASHER	
18	6100996	1	GUIDE PIN	
19	107120703	1	ELEMENT LOZYSKA	
20	3200656	1	LOZYSKO	
21	3200615	1	LOZYSKO	
22	107120708	1	WOBBLE DISC 4	[17]
22	107120710	1	WOBBLE DISC 6	[18]
22	107120716	1	KRZYWKA	[19]
22	107120719	1	WOBBLE DISC NO 17	[20]
23	1802511	1	KLIPS	
24	3200664	1	LOZYSKO	
25	3200615	1	LOZYSKO	
26	107120704	1	ELEMENT LOZYSKA	
27	6301368	8	STUDS	
29	301001070	1	CONSOLE 263X220X41.2	[14]
29	101118095	1	KLAMRA	[21]
30	909100152	4	NUT M8	
31	2793	4	WASHER 8.4X2	
32	8919	4	SCREW M8X12	
33	1802651	4	SCREW M10X20	
34	10204	4	SERRATED LOCK WASHER A10	
35	101117839	1	TERMINAL PLUG AND TERMINAL PINS	
49	1119310	1	ZAWÓR	
50	1119571	1	KOMPLET NAPRAWCZY	[22]
51	1119820	1	OIL SEAL 03/C3 REP.KIT	
52	1119570	1	ZESTAW USZCZELNIEN	[23]

Part Notes:

- [1] - Motorpump unit complete - not shown
 [2] - NEPTUNE 7-63 / MH 7P 175/1260 *JP,60HZ*, WITH WOBBLEDISC NO. 6
 [3] - NEPTUNE 7-63 / MH 7P 175/1260 *KR*, WITH WOBBLEDISC NO. 6

-
- [4] - 7-25*GB*, WITH WOBBLEDISC NO.17
 - [5] - 7-66, WITH WOBBLEDISC NO. 6
NO LONGER AVAILABLE
 - [6] - NEPTUNE 7-63 / MH 7P 175/1260 *EU*BE*NO*, WITH WOBBLEDISC NO. 12
 - [7] - NEPTUNE 7-63 / MH 7P 175/1260 *JP, 50HZ*, WITH WOBBLEDISC NO. 12
 - [8] - 7-58, WITH WOBBLEDISC NO. 4
 - [9] - - EME – has EME letter on the motor type plate
 - [10] - - RF – has Nilfisk letter on the motor type plate
 - [11] - From week 32 2009 (EME)
 - [12] - Up to week 32 2009 (ATB)
 - [13] - STOCK COVERS GUARANTEE

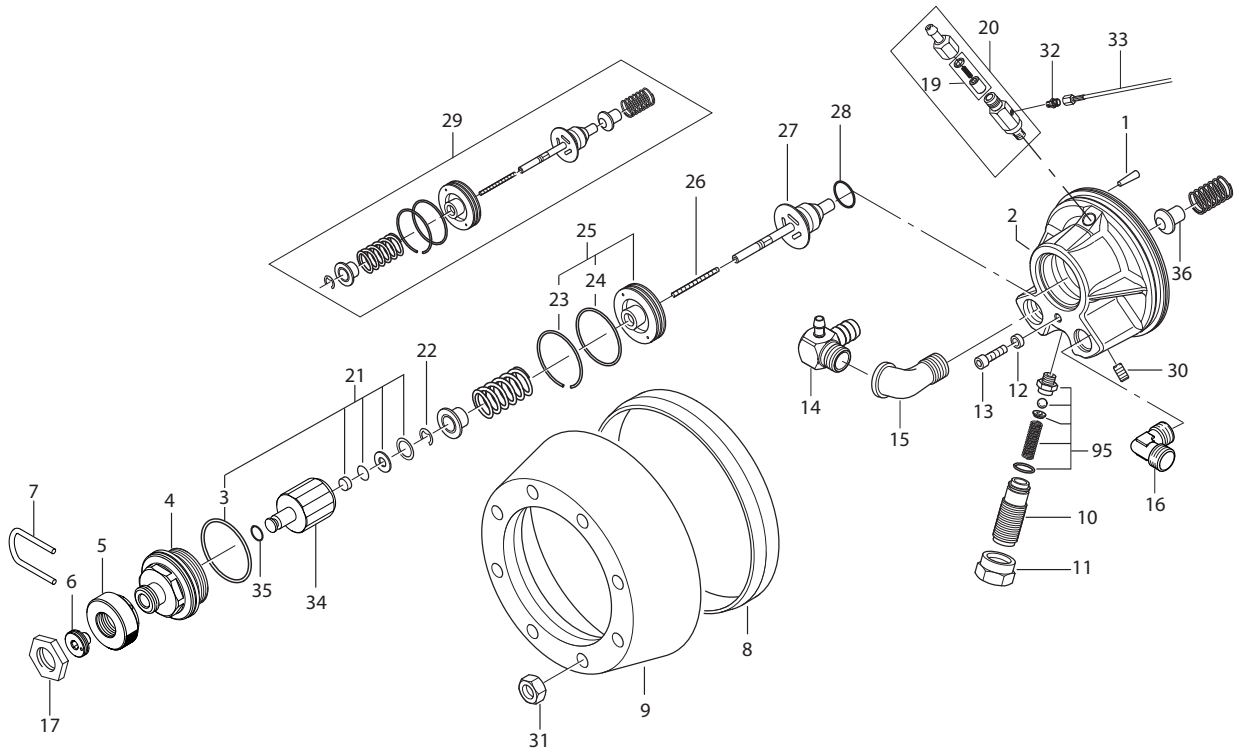
 - 7-58, NEPTUNE 7-63 / MH 7P 175/1260, 7-66
 - [14] - 7-25
 - [15] - From week 32 2009 - TSB-PPW-2011-013 C3 Pump informationTSB-PPW-2011-013 C3 Pump information
 - [16] - Up to week 32 2009 (ATB) - TSB-PPW-2011-013 C3 Pump information
 - [17] - 7-58
 - [18] - NEPTUNE 7-63 / MH 7P 175/1260 60HZ, 7-66
 - [19] - NEPTUNE 7-63 / MH 7P 175/1260 50HZ
 - [20] - 7-25*GB*
 - [21] - 7-58, NEPTUNE 7-63 / MH 7P 175/1260, 7-66
 - [22] - TSB-PPW-2016-011 Rep kit 1119571 and 1119570 potential have wrong O-ring in kit
DE TSB-PPW-2016-011 Rep Kit 1119571 und 1119570 beinhalten möglicherweise einen falschen O-Ring
 - [23] - TSB-PPW-2016-011 Rep kit 1119571 and 1119570 potential have wrong O-ring in kit
-



Pos.	Numer Produktu	ilość	Opis	Notes
0-	5218433	1	OLEJ DO POMPY 150 1X1L	[1]
2	301000615	1	POKRYWA	
3	301000614	1	ZBIORNIK NA OLEJ Ø66.8X84	
4	19690	1	O-RING 19.0x1.8 DIN 3771 NBR70	
5	6100718	8	PODKŁADKA	
6	6100719	8	THRUST COLLAR	
7	6301368	8	STUDS	
8	1800465	8	NUT M10 DIN 934	
9	6300071	1	CYLINDER BLOCK COMP.	
10	1802529	4	KLIPS	
11	6100666	4	RING F. RETURN SPRING	
12	6301166	4	TŁOK CERAMICZNY	
13	102602517	4	RETURN SPRING C3 4.3x41x61.5 ST	
14	6100610	1	CYLINDER BLOCK	
15	6150400	1	DRAIN PLUG	
16	107120700	4	PIERSCIEN	
17	107120701	1	CYLINDER HEAD	
49	1119310	1	ZAWÓR	
50	1119571	1	KOMPLET NAPRAWCZY	[2]
51	1119820	1	OIL SEAL 03/C3 REP.KIT	
52	1119570	1	ZESTAW USZCZELNIEN	

Part Notes:

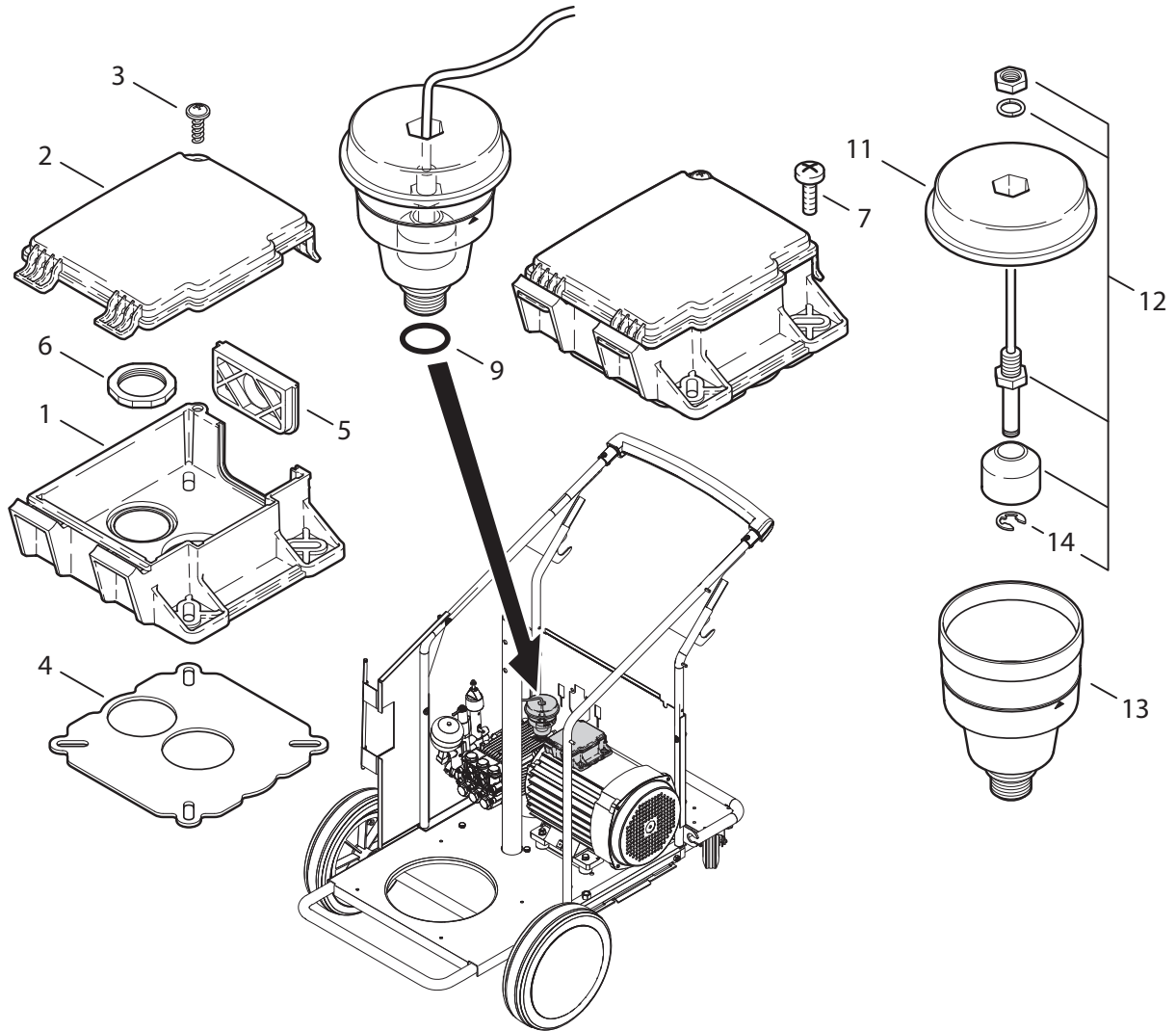
- [1] - 1,1L - OIL TYPES_QUANTITY for HPW_APRIL 2017
- [2] - TSB-PPW-2016-011 Rep kit 1119571 and 1119570 potential have wrong O-ring in kit
DE TSB-PPW-2016-011 Rep Kit 1119571 und 1119570 beinhalten möglicherweise einen falschen O-Ring



Pos.	Numer Produktu	ilość	Opis	Notes
1	6100996	1	GUIDE PIN	
2	6101042	1	OBUDOWA	
3	3001179	1	O-RING 39.6X2.4 NITRIL 70 SH	
4	101117801	1	BUSHING STREAM DEVICE KIT	
5	101117802	1	REGULATION HANDLE KIT	
6	101117803	1	ADJUSTMENT KNOB KIT	
7	101117804	1	RETAINER SPRING KIT	
8	6301392	1	USZCZELNIENIE	
9	6100602	1	RETAINING RING	
10	6100940	1	ŚRUBA REGULACYJNA	
11	6100928	1	NAKRETKA	
12	6100985	1	LOCK WASHER	
13	3913	1	SCREW M6X12	
14	6220681	1	ELBOW	
15	101118178	1	ELBOW MALE/FEMALE 1/2X1/2 BRASS KIT	[1]
16	1600444	1	MALE STUD ELBOW D12 24DEG M18 – 3/8 TAP	
17	106408175	1	LOCK NUT FOR NEPTUNE BYPASS VALVE KIT	
18A	1803493	1	PACKING RING Ø 20.57X Ø 13	
19	1119317	1	VENTING VALVE REP.KIT	
20	6220596	1	VENTING VALVE COMPL. C3VA	
21	101119410	1	REP. KIT GASKETS	
22	6101069	1	SAFETY DISK	
23	6101061	1	PISTONRING	
24	3001716	1	O-RING 35.1x1.6 SMS 1586 NBR70	
25	6100925	1	PISTON F. BY-PASS VALVE	
26	2600286	1	SPRING DM-2.9	
27	6400143	1	VALVE CONE	
28	6441	1	O-RING 11.0x2.0 DIN 3770 NBR70	
29	1118580	1	ZESTAW NAPRAWCZY	
30	1602333	1	PLUG G1/8 DIN906 CuZn	
31	1800465	8	NUT M10 DIN 934	
32	1821	1	ZŁĄCZE	
33	60141	1	WAŻ	
34	6100921	1	LOCKING BUSH FOR PISTON	
35	3001187	1	O-RING 5.6 X 2.4 SMS 1586 NBR70	
36	6100915	1	VALVE CONE F. RETURNVALVE	
95	1118512	1	ZESTAW NAPRAWCZY	

Part Notes:

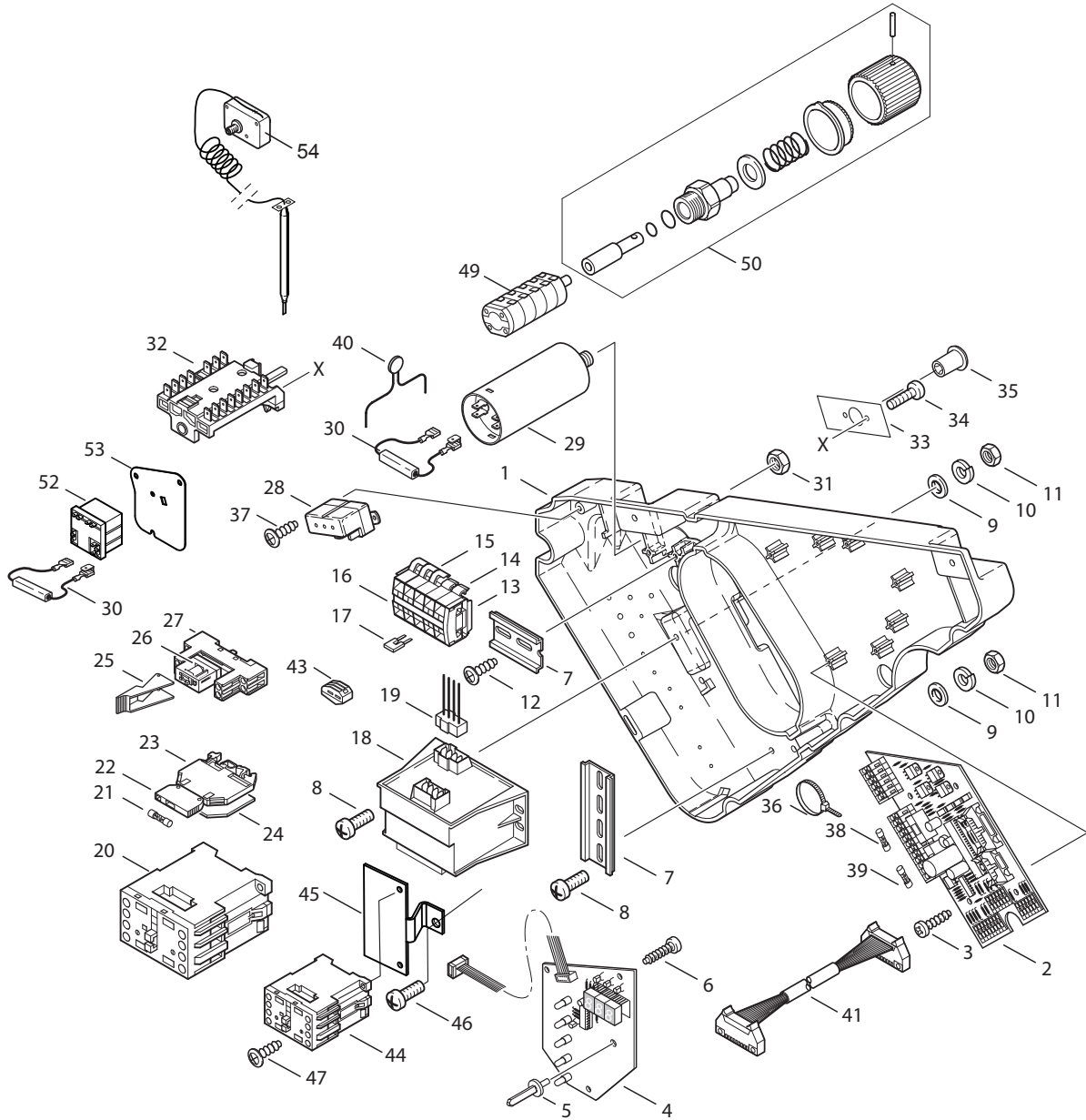
- [1] - TSB-PPW-2015-005 NEPTUNE 7-63 FA New elbow, 101118178, on pump inlet,
DE TSB-PPW-2015-005 NEPTUNE 7-63 FA, Neuer Winkel,101118178, Pumpeneingang



Pos.	Numer Produktu	ilość	Opis	Notes
1	301000781	1	PUSZKA ELEKTRYCZNA	
0	5218433	1	OLEJ DO POMPY 150 1X1L	[1]
2	301000782	1	POKRYWKA	
3	10028	1	SRUBA KA50X14 WN1411	
4	301000845	1	USZCZELKA SKRZYNKI EL.100.50X114X1MM	
5	17106	1	WSTAWKA	
6	20862	1	HEXAGON NUT R1 DIN 431 CUZN	
7	32535	4	SCREW M5X16	
9	56554	1	O-RING 14.0x1.78 ARP AS 568 A NBR70	
11	301000615	1	POKRYWKA	
12	301001196	1	CZUJNIK POZIOMU OLEJU	
13	301000614	1	ZBIORNIK NA OLEJ Ø66.8X84	
14	107142593	1	HOLDING WASHER PE	[2]

Part Notes:

- [1] - 1,1L - OIL TYPES_QUANTITY for HPW_APRIL 2017
[2] - TSB-PPW-2016-017 Locking ring for oil level switch falling off



Pos.	Numer Produktu	ilość	Opis	Notes
1	301000679	1	ASSEMBLY PLATE	
2	301000680	1	MAIN CIRCUIT BOARD	
2A	301002123	1	MICROPROCESSOR	[1]
3	1805175	4	SCREW 3X12	
4	301000678	1	DISPLAY CIRCUIT BOARD	
5	301000636	1	AXLE 15X43.5 PP	
6	11254	3	SCREW 3.5X10 WN1411	
7	22290	1	MOU. RAIL TS35/F6 7.5 18X5.2 EN60715 ZN	[2]
8	15146	4	RAISED DOME HEAD SCREW M5X12 H DIN 7985	
9	2763	4	WASHER 5.3X1	
10	1813773	4	SERRATED LOCK WASHER	[3]
11	2760	4	NUT M5 ISO 4032 ZN	
12	16860	1	SCREW 4X12	
13	301000689	1	END PLATE GREY 4MM TYP 264	
14	301000688	1	WIRE TERMINAL 4X2.5MM	
15	301000686	2	WIRE TERMINAL 4X2.5mm TYPE 264	
16	301000687	2	WIRE TERMINAL 2X2.5MM	[4]
17	301000683	1	JUMPER	[5]
18	301001060	1	TRANSFORMER 115AT 200V 2	[6]
18	101117724	1	POWER TRANSFORMER 230/400-24/8V T70	[7]
18	301001059	1	TRANSFORMER 220AT 460V 24	[8]
19	301002463	1	CABLE H07V-K 4-POLE	[9]
19	301000722	1	WIRE H07V-K 4-POL. AEH US	
20	103822313	1	CONTACTOR CJX2-D25 25A 24V 3P+NO/US	[10]
20	103822306	1	CONTACTOR CJX2-D18 18A 24V 3P+NO	[11]
20	103822317	1	CONTACTOR CJX2-D32 32A 24V 3P+NO	[12]
21	3812385	1	FUSE D5x20 6.3A VISCOUS US	
22	3807914	1	FUSE HOLDER	
23	3807906	1	TERMINAL STEIP WK4	
24	301000734	1	END PLATE	
25	301000684	1	RELAY HOLDER35X25X16	
26	26817	1	ALL-OR-NOTHING RELAY	
27	41573	1	SOCKET F. RELAY	[13]
28	11060	1	STARTER RELAY 220V AC	[14]
29	301000403	1	KONDENSATOR	[15]
30	301000402	1	RESISTANCE 15KOHM/7W	[16]
30	107141730	1	DISCHARGE RESISTOR 15KOHM/7W	[17]
31	2758	1	HEXAGON NUT M8	[15]
32	301000293	1	SWITCH START/TRIANGLE 16	[18]
33	64586	1	LABEL 230-400V CHANGE-OVER 74X28	[19]
33	64787	1	LABEL 220-440V CHANGE-OVER 74X28	[20]
34	40045	2	PAN HEAD SCREW M4X30	[18]
35	64580	1	ROTARY KNOB	[21]
36	8819	1	CABLE STRAP 4.5X1X350	
37	16860	1	SCREW 4X12	[15]
38	103821729	1	FUSE 5X20 2A T 250V	
39	24499	1	FINE-WIRE FUSE	
40	301002353	1	INRUSH CURRENT LIMITER 5 OHM / 5W	[22]
41	301001995	1	WIRE 16-POL. 1.3M TUBEFLEX-Y	[23]
43	301002165	2	CABLE CLAMP TERMINAL 5POL WAGO 222-415	[24]
44	103822301	1	STYCZNIK Cjx2-D12-B7 24V	[25]
45	301002465	1	BRACKET 60X40X19.5	[25]
46	23394	1	RAISED DOME HEAD SCREW M5X16 H DIN 7985	[25]
47	8956	2	TREAD-CUTTING SCREW M3.9X9.5 ISO 1481 ZN	[25]
49	301001936	1	SWITCH START/TRIANGLE 25A	
50	1117357	1	ADJUSTING KNOB COMPL.	
52	103822214	1	STARTER RELAY HOTWATER RVAH4AH3D	[17]
52	107141729	1	START RELAY RVAH4AH3C	[26]
53	107140151	1	FITTING FOR STARTER RELAY NEPTUNE 5	[17]

Pos.	Numer Produktu	ilość	Opis	Notes
54	101117723	1	WŁĄCZNIK	[17]

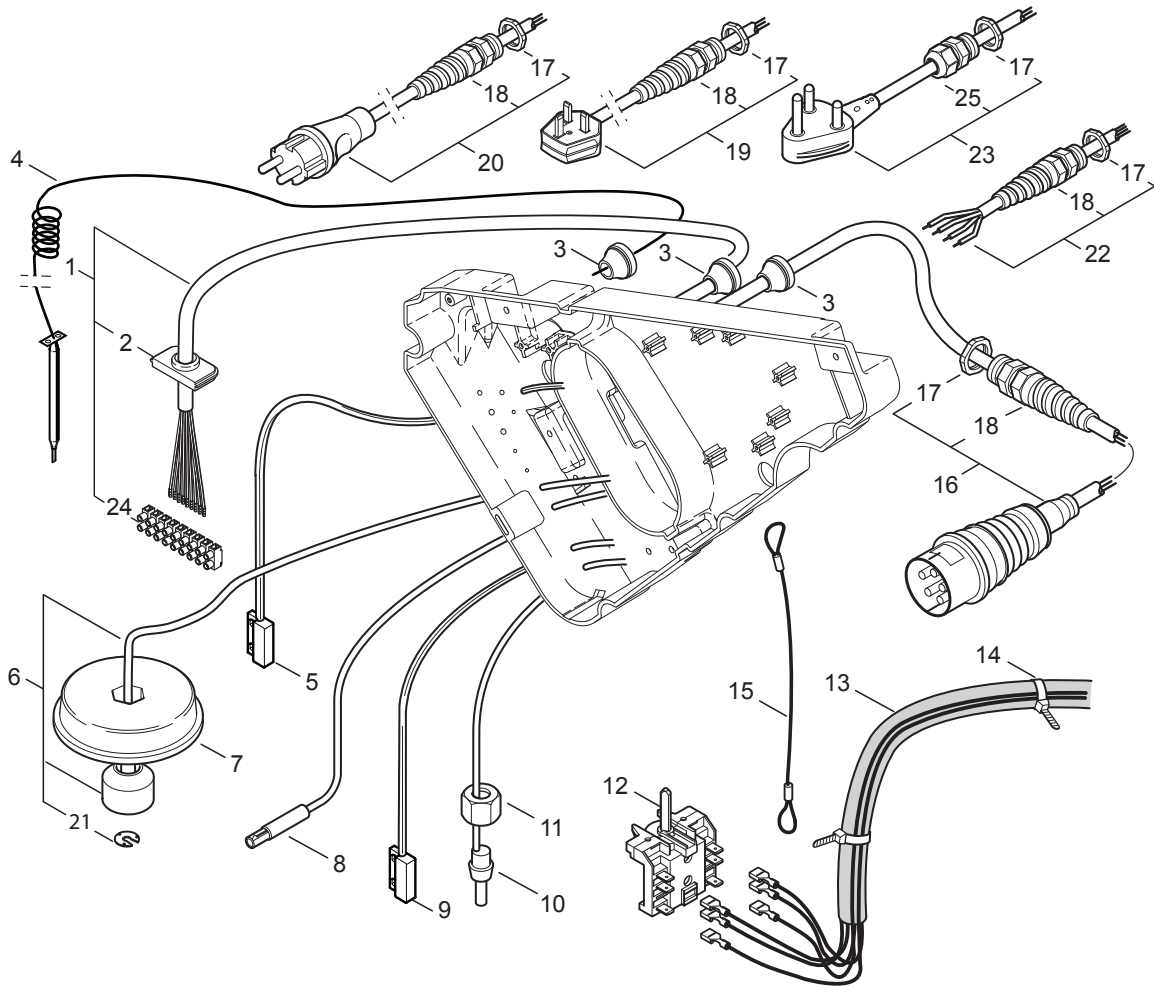
Part Notes:

- [1] - For main circuit board
- [2] - * SEE NOTE
PLEASE CONTACT CARWASH DIRECTLY
- [3] - CLOSED WHEN STOCK EMPTY
- [4] - 1 PH
- [5] - 400/3/50
- [6] - 7-63*JP*
- [7] - 7-25, NEPTUNE 7-63 FA / MH 7P 175/1260, *EU*GB*BE*NO*
- [8] - 7-58, NEPTUNE 7-63 FA / MH 7P 175/1260*KR*, 7-66
- [9] - 7-25, 7-58 |01.10.2005=>
- [10] - 7-63 *KR*
- [11] - 7-25, 7-63*EU*
- [12] - 7-58, 7-63 *BE*NO*, 7-63 *JP*, 7-66
- [13] - PLEASE CONTACT CARWASH DIRECTLY
- [14] - 7-25 *EU*GB* 230/1/50 =>01.10.2005|
- [15] - 7-25, 7-58
- [16] - 7-25
- [17] - 7-58 (US)
- [18] - *BE*NO*KR*US* 3~
- [19] - *BE*NO*
- [20] - *KR*US*
- [21] - *BE*NO*KR*US* 3~

TSB-PPW-2016-007 Rotary knob for Voltage selector switch 230V-400V must be sealed with lacquer

DE TSB-PPW-2016-007 Drehknopf des Spannungsauswahlschalters 230V-400V muss mit Lack versiegelt werden

- [22] - 1 PHASE MACHINES
- [23] - STOCK COVERS GUARANTEE
Only for SB
- [24] - 7-58 |01.10.2005=>
- [25] - 7-25 |01.10.2005=>
- [26] - 7-66 (US)

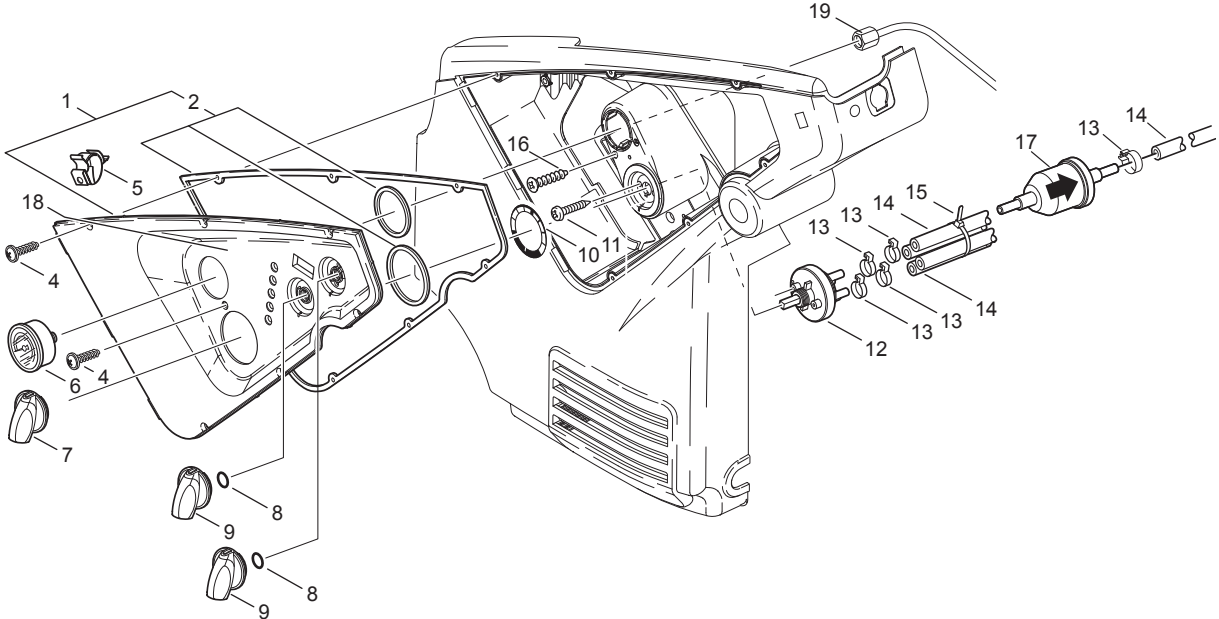


Pos.	Numer Produktu	ilość	Opis	Notes
1	101117851	1	NEPTUNE MOTOR CABLE 9-WIRE 3PH 1.5MM2	[1]
1	101117846	1	MOTOR CABLE 9-WIRE 1PH AWG14	[2]
1	101117848	1	NEPTUNE MOTOR CABLE 7-WIRE 1PH 1.5MM2	[3]
1	101117847	1	MOTOR CABLE 9-WIRE 3PH AWG14	[4]
1	101117849	1	NEPTUNE MOTOR CABLE 9-WIRE 3PH 1.5MM2	[5]
2	17106	1	WSTAWKA	
3	3803798	2	RUBBER SEAL 14-20C	[6]
3	3803780	2	PRZEPUST 10-14C	
4	301000732	1	BEZPIECZNIK	
5	301002458	1	STYCZNIK	
6	301001196	1	CZUJNIK POZIOMU OLEJU	
7	301000615	1	POKRYWA	
8	301000729	1	CZUJNIK PŁOMIENIA	
9	301000731	1	MIKROWŁĄCZNIK 250V	
10	301000730	1	CZUJNIK TEMPERATURY	
11	1081	1	NAKRETKA L12 DIN 3870-A ST/ZN	
12	28877	1	SWITCH 10A 400V AC	
13	301000720	1	CORD TO TRANSFORMER 400V	[7]
13	301000719	1	CORD TRANSFORMER 230AT 4G	[8]
13	301000721	1	CORD TRANSFORMER 4G1.5	[9]
14	8819	5	CABLE STRAP 4.5X1X350	
15	301001091	1	ROPE D1.2X365	
16	301000834	1	POWER CORD H07RN-F4G1.5X6	[10]
16	301000832	1	POWER CORD H07RN-F4G1.5X11	[11]
17	909100019	1	NAKRETKA M20X1.5 EN 50262	
17	909100020	1	HEXAGON THIN NUT M25X1.5 EN 50262 PA	[6]
18	909100198	1	SCREWED CABLE GLAND M25X1.5	[6]
18	909100043	1	OSŁONA PREWODY EL. M20X1.5	
19	301000830	1	POWER CORD H07RN-F 3G1.5	[12]
19	301000912	1	POWER CORD H07RN-F 3G1.5X6.0	[13]
20	107142593	1	HOLDING WASHER PE	[14]
21	301000415	1	CAPACITOR 80MICRONFOR 420V	[8]
22	301000384	1	POWER CORD SOW AWG10/4X9	[15]
22	301000380	1	POWER CORD VCT 4X5.5X9	[16]
22	301000833	1	POWER CORD H07RN-F 4G2.5X6.0	[17]
22	301000831	1	POWER CORD H07RN-F 4G2.5x 11m	[18]
23	301000407	1	POWER CORD SJOW AWG10/3X9.0	[19]
24	101117839	1	TERMINAL PLUG AND TERMINAL PINS	
25	107141571	1	CABLE GLAND KIT	

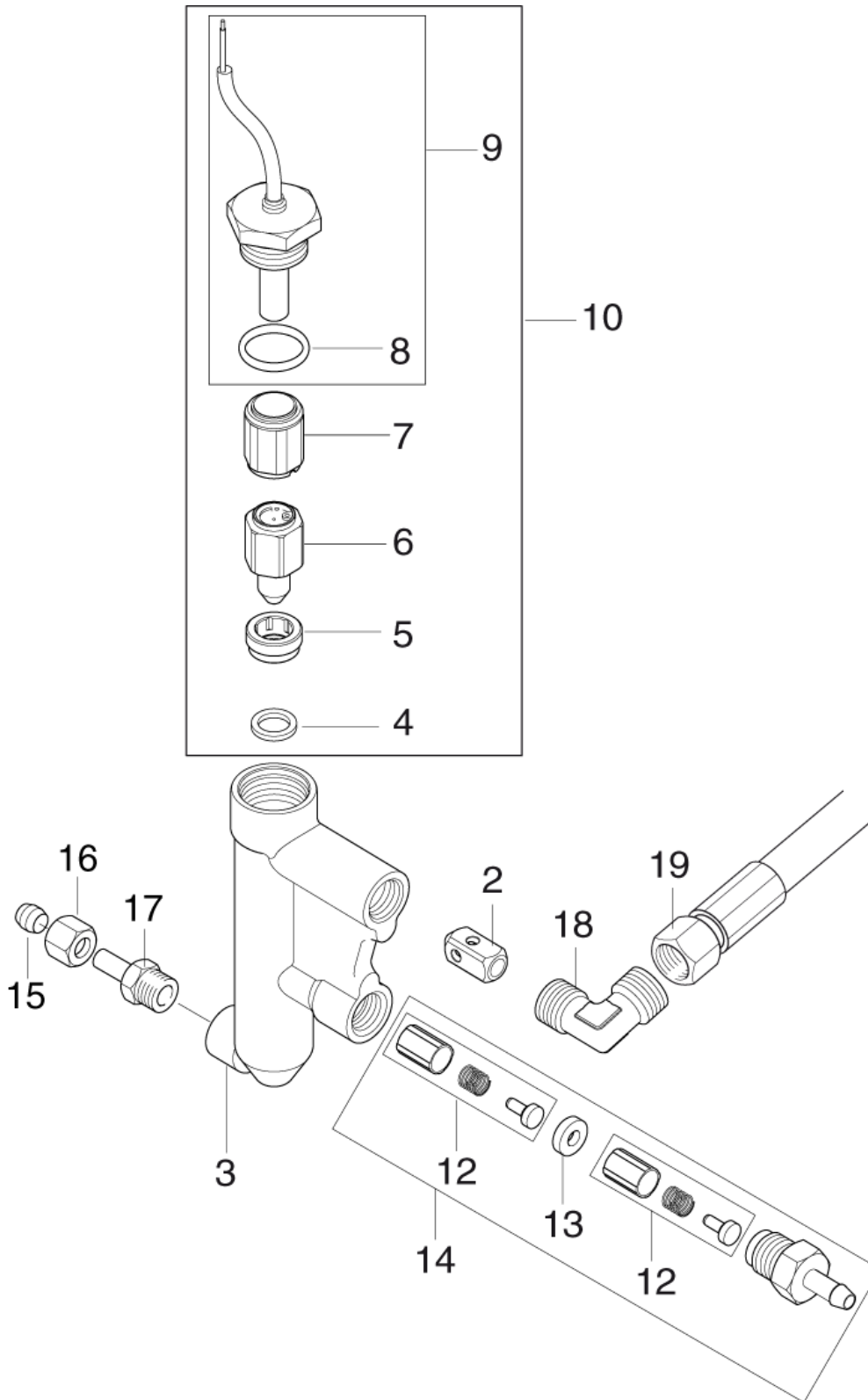
Part Notes:

- [1] - 230/400/3/50, 220/440/3/60, NEPTUNE 7-63 / MH 7P 175/1260 *BE*NO*KR*
- [2] - 110/1/50, 220/1/60, 7-58
- [3] - 230/1/50, 7-25
- [4] - *JP*
- [5] - 400/3/50, NEPTUNE 7-63 / MH 7P 175/1260 *EU*
- [6] - 110/1/50 *JP*US*
- [7] - NEPTUNE 7-63 / MH 7P 175/1260, *EU*JP*
- [8] - 7-25, 7-58
- [9] - 7-66, NEPTUNE 7-63 / MH 7P 175/1260 *BE*NO*KR*US*
- [10] - 400/3/50 NEPTUNE 7-63 / MH 7P 175/1260 *EU*
- [11] - 400/3/50 NEPTUNE 7-63 / MH 7P 175/1260 X2 *EU*
- [12] - 230/1/50 7-25X2 *GB*
- [13] - 230/1/50 7-25 *GB*
- [14] - TSB-PPW-2016-017 Locking ring for oil level switch falling off
- [15] - 7-66 US
- [16] - NEPTUNE 7-63 / MH 7P 175/1260 *JP*
- [17] - 230/400/3/50 NEPTUNE 7-63 / MH 7P 175/1260
- [18] - 230/400/3/50, 220/440/3/60 NEPTUNE 7-63 / MH 7P 175/1260 X2

[19] - 7-58
STOCK COVERS GUARANTEE



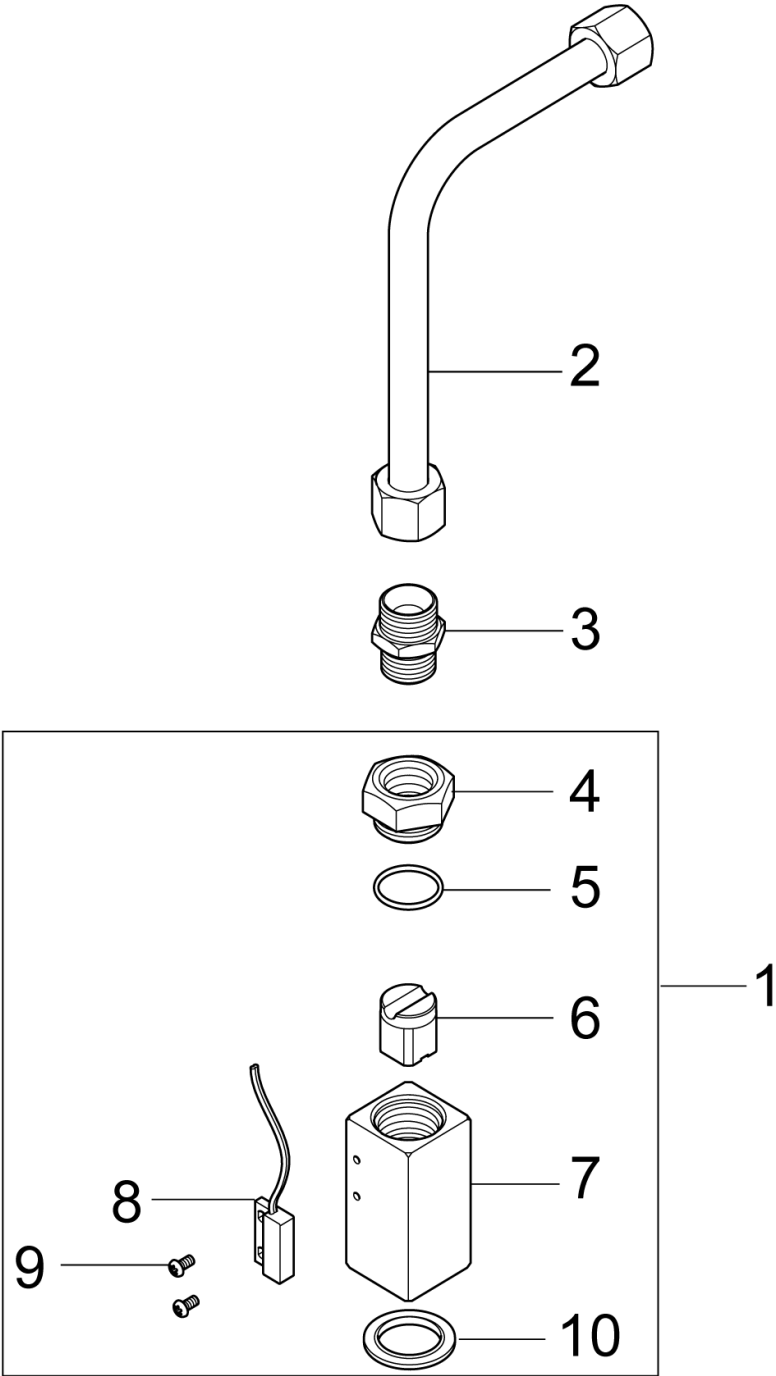
Pos.	Numer Produktu	ilość	Opis	Notes
1	301001095	1	COVER COMPLETE	
2	107142622	1	KIT GASKET	
4	1814614	6	ŚRUBA K50X18 Wn1451 A2	
5	301001075	1	WIRE HOLDER D22X38X16	
6	49473	1	MANOMETER 0-315 BAR G1/4 NG50	
7	909100207	1	ROTARY KNOB 6X6+8X8 PP	
8	9868	2	O-RING 10.2X2.5 NBR 70	
9	909100206	2	ROTARY KNOB D6X5 BLUE	
10	301000786	1	LABEL	
11	1814730	2	SCREW 35X10B W1423	
12	301001000	1	ZAWÓR	
13	11654	4	KLAMRA	
14	101406100	1	HOSE DN 6X3 5M	
15	8819	1	CABLE STRAP 4.5X1X350	
16	11253	2	SCREW 5X20 WN1413	
17	301002926		FILTR	
18	301000785	1	LABEL MH 5M-7P	
19	60141	1	WAŻ	



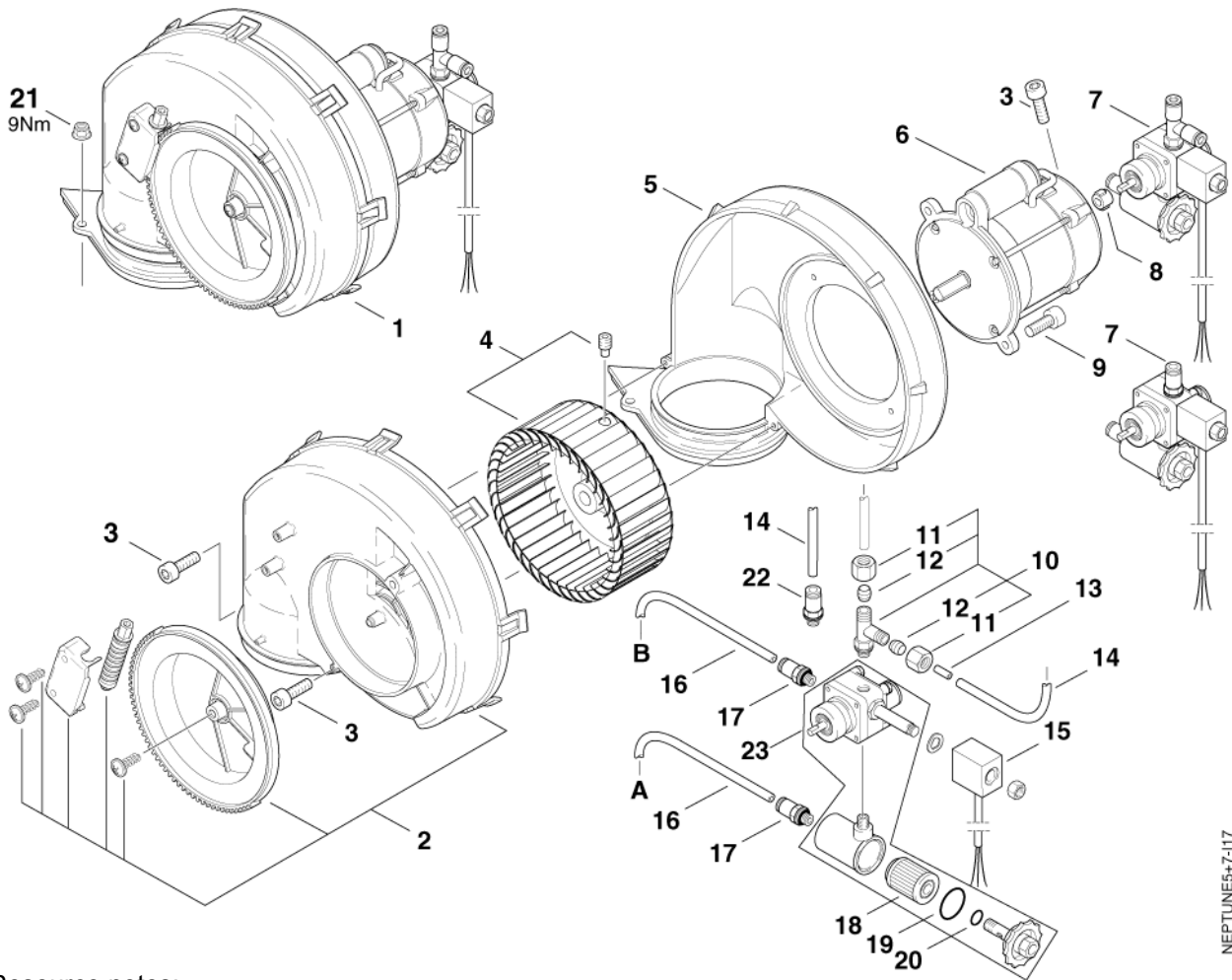
Pos.	Numer Produktu	ilość	Opis	Notes
2	6101038	1	TŁOK	
3	6201545	1	HOUSING F. FLOW SWITCH	[1]
4	3001112	1	O-RING 10.0X3.0 HNBR 70	
5	6201534	1	SEAT	
6	6350463	1	NON-RETURN VALVE COMPL.	
7	6350454	1	PISTON	
8	3000825	1	O-RING 20.24X2.62 NITRIL 70SH	
9	6221773	1	REED SWITCH WITH O-RING	
10	1119319	1	FLOW SWITCH REP.KIT	
12	1119566	1	ZAWÓR ZWROTNY	
13	6201535	1	SEAT	
14	1119318	1	ZESTAW NAPRAWCZY	
15	1080	1	PIERŚCIEŃ L12 B DIN 3861 ST/ZN	[2]
16	1081	1	NAKRETKA L12 DIN 3870-A ST/ZN	
17	6628	1	SCREW XEVGE D12XD7XR1/4 Z	
18	1600444	1	MALE STUD ELBOW D12 24DEG M18 – 3/8 TAP	
19	101117806	1	HP HOSE CPL. KIT	

Part Notes:

- [1] - See TSB-PPW-2011-014 Flow switch housing failure
 [2] - PLEASE CONTACT CARWASH DIRECTLY



Pos.	Numer Produktu	ilość	Opis	Notes
1	101117797	1	FLOW SWITCH CPL. KIT	
2	101117657	1	PIPE BEND KIT CPL. F. FLOW SWITCH	
3	1601079	1	THREADED CONNECTION	
4	G181345	1	NIPPLE FOR FLOWSWITCH NV 24X18	
5	G120381	1	O-RING 18.00X2.00 N70	
6	101117798	1	MAGNET HOUSING CPL. KIT	
7	101117799	1	HOUSING FOR FLOW SWITCH KIT	
8	101117800	1	WŁĄCZNIK	
9	101117717	2	SCREW TORX M3X6 ELECTRO PLATED DIN 7985	
10	1801075	1	PIERŚCIEŃ USZCZ. 23.8X17.2X2 3/8	



NEPTUNE6+7-117

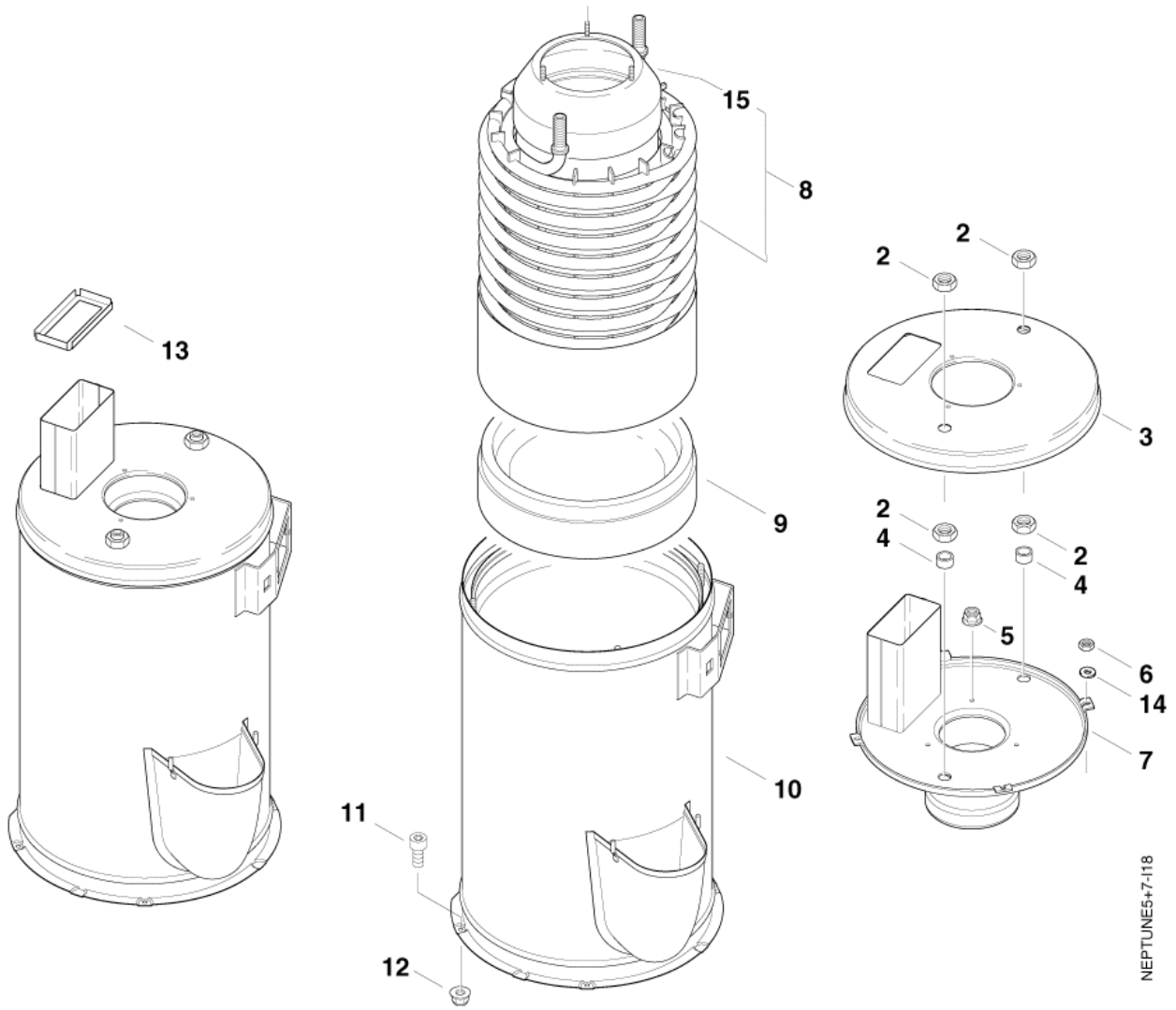
Resource notes:

*NOTE: 200/50, 200,220/60 7-58, 7-63*JP*KR*, 7-66

Pos.	Numer Produktu	ilość	Opis	Notes
1	301001395	1	BURNER FAN HOUSING Kerosine	[1]
1	301001358	1	BURNER FAN HOUSING Kerosine	[2]
1	301001377	1	BURNER FAN HOUSING Kerosine	[3]
1	301000908	1	BURNER FAN HOUSING	[4]
2	301000852	1	COVER FOR FAN HOUSING	
3	32535	3	SCREW M5X16	
4	301000889	1	KOŁO WENTYLATORA	
5	301000495	1	FAN HOUSE	
6	106408257	1	MOTOR BURNER - 0.23KW/230V/50HZ/1PH	[5]
6	106408258	1	MOTOR BURNER - 0.29KW/230V/50HZ/1PH	[6]
7	101117989	1	OIL PUMP SP55B 4316M Kerosene	[7]
7	301001348	1	FUEL PUMP 24V Kerosene	[8]
7	301000888	1	FUEL PUMP 24V DIESEL	[9]
7	101117988	1	OIL PUMP SP55B 431 DIESEL	[10]
8	1226	1	COUPLING PVC	
9	4697	2	SCREW M6X16	
10	101118040	1	REP.KIT F. OIL PUMP	[11]
11	1603430	2	UNION NUT	[11]
12	1603448	2	PODKŁADKA	[11]
13	301000914	1	SUPPORT 4X14	[11]
14	909100141	1	RURKA Ø4X1 DIN 73378	
15	101117987	1	SOLENOID 24V KIT	
16	106408239	1	TUBE D6 X 1 MEWA DIN 73378 - 5 METERS	
17	29599	2	UNION PIECE Ø6 G1/8 INCH R12 NBR/CuZn-ni	
18	1756	1	FILTR PALIWA	
19	40907	1	O-RING 31.47x1.78 ARP AS 568 A NBR70	
20	9868	1	O-RING 10.2X2.5 NBR 70	
21	12496	2	HEXAGON NUT M6	
22	301002070	1	UNION PIECE 4/G1/8	[12]
23	301002100	1	BASE-FUEL PUMP WITH FILTER	[13]
23	301002101	1	BASE-FUEL PUMP WITH FILTER	

Part Notes:

- [1] - 200/50, 200,220/60 7-58, 7-63*JP*KR*, 7-66
- [2] - 230/50 7-25
- [3] - 5-25 110/1/50
- [4] - 230V NEPTUNE 7-63 FA / MH 7P 175/1260, *EU*BE*NO*
- [5] - *EU*BE*NO*GB*
- [6] - 200-220/50,60 7-58, 200/50, NEPTUNE 7-63 / MH 7P 175/1260, 7-66
- [7] - *GB*US*JP*KR* |01.04.2005=>
Kerosene
- [8] - *GB*US*JP*KR* =>31.03.2005|
- [9] - *EU*BE*NO* =>31.03.2005|
- [10] - *EU*BE*NO* |01.04.2005=>
- [11] - =>31.03.2005|
- [12] - |01.04.2005=>
- [13] - Kerosine

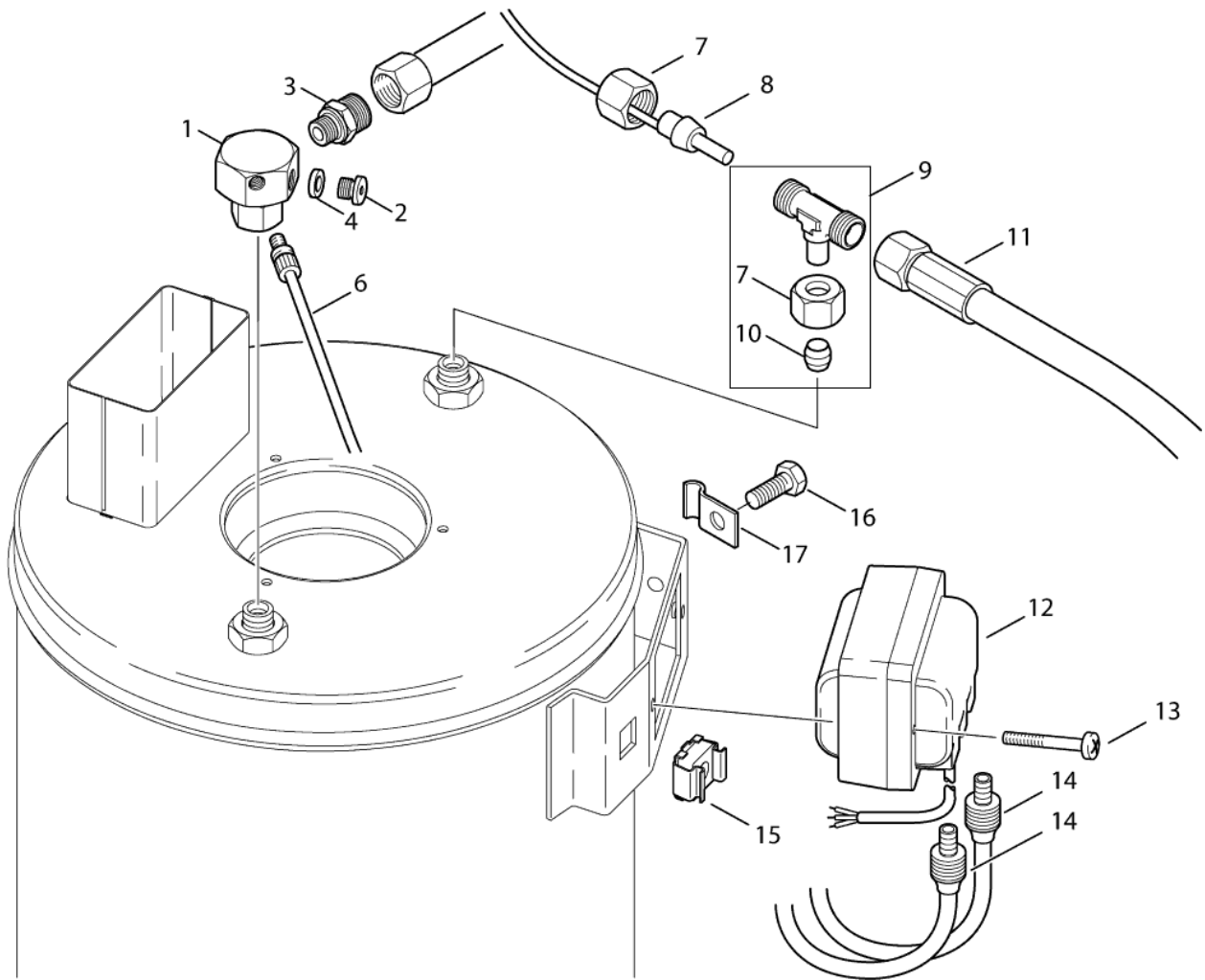


NEPTUNE5+7-118

Pos.	Numer Produktu	ilość	Opis	Notes
0	107144779	1	HEAT EXCHANGER B7 SS, NEPTUNE	
2	7012	4	HEXAGON NUT M18X1.5	
3	301000534	1	BOILER COVER OUTER	
4	301000582	2	BUSHING Ø22X1.5X24	
5	12496	3	HEXAGON NUT M6	
6	12263	4	HEXAGON NUT M6	
7	301001838	1	BOILER COVER INNER	[1]
7	301001839	1	BOILER COVER INNER	[2]
8	301001098	1	COIL NPT 5 STEEL	[1]
8	107143301	1	COIL B5 SS, MH	[3]
8	301001099	1	NAGRZEWNICA	[2]
8	301001342	1	COIL NPT 7 VA	[4]
9	301000916	1	INSULATION Ø320.5X89	
10	301000969	1	BOILER JACKET COMPLETE N7	[2]
10	301000968	1	BOILER JACKET COMPLETE N5	[1]
11	3913	4	SCREW M6X12	
12	12496	4	HEXAGON NUT M6	
13	301001224	1	SHUTTER PLATE FOR CHIMNEY	[5]
14	2764	4	WASHER 6.4X1.6	
15	301000541	1	OSŁONA	

Part Notes:

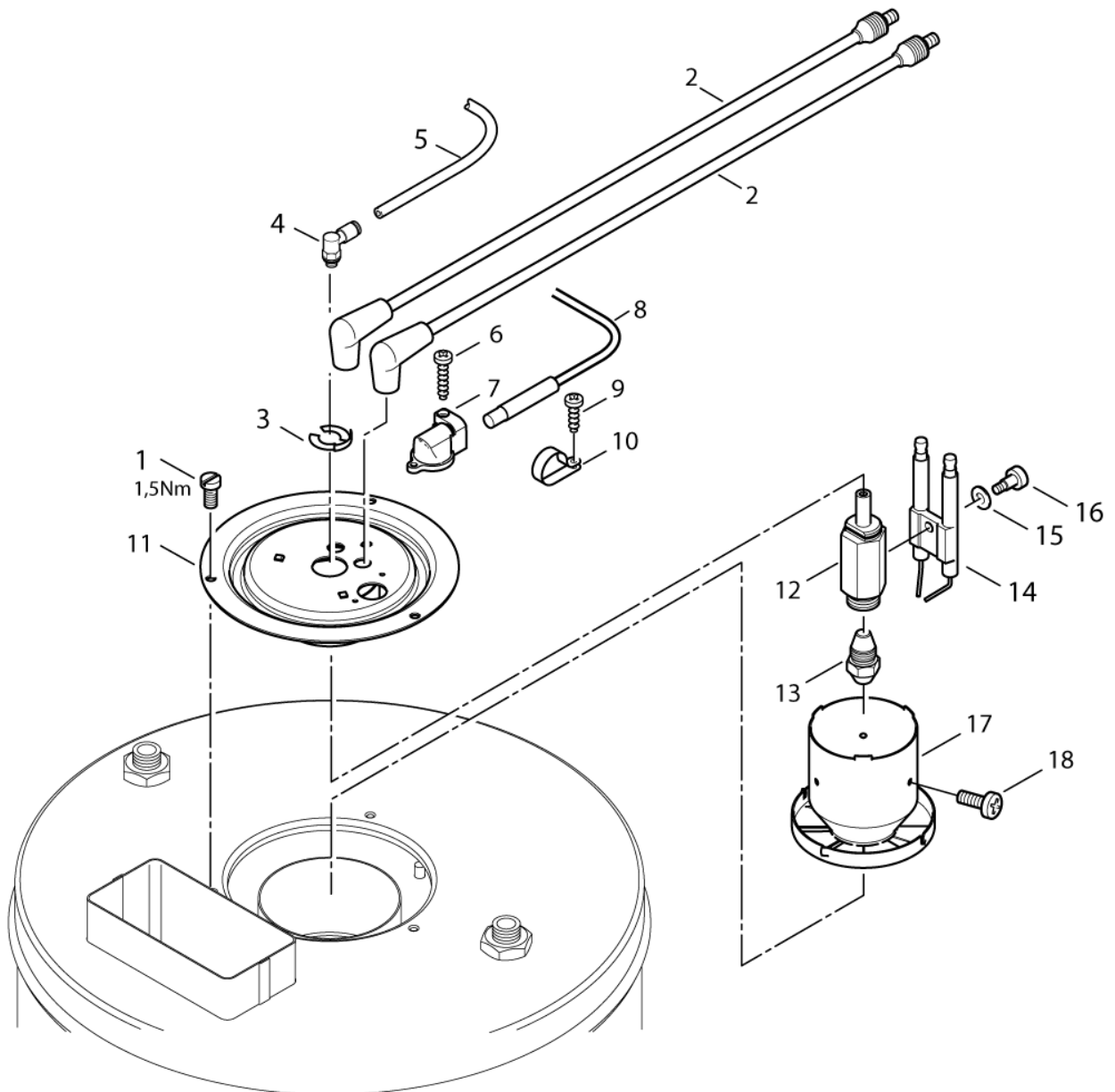
- [1] - NEPT. 5 + 7-25
- [2] - NEPT.7, NOT 7-25
- [3] - OPTION, NEPT. 5 + 7-25
- [4] - OPTION, NEPT.7, NOT 7-25
- [5] - 7-25



Pos.	Numer Produktu	ilość	Opis	Notes
1	301000847	1	DISTRIBUTOR HEXAGON 36X39	
2	33047	1	PLUG G1/8	
3	3938	1	THREADED CONNECTION1/4 INCH	
4	1605	1	PACKING RING 10X14	
6	301000732	1	BEZPIECZNIK	
7	1081	2	NAKRETKA L12 DIN 3870-A ST/ZN	
8	301000730	1	CZUJNIK TEMPERATURY	
9	101118093	1	TROJNIK M18 X 1.5	
10	1080	1	PIERŚCIEŃ L12 B DIN 3861 ST/ZN	[1]
11	301000856	1	HP-HOSE Ø 8X730	
11	301000855	1	WAŻ D8X650	
12	301000879	1	TRANSFORMATOR	
13	1809821	2	SCREW M5X50 DIN 7985	
14	301000859	2	ZASILACZ Ø7X650	
14	301000858	2	PRZEWOD ZASILAJĄCY	
15	909100152	1	NUT M8	
16	1803543	1	SCREW M4X10	
17	909100379	1	CLAMP 1-4-W1-1	

Part Notes:

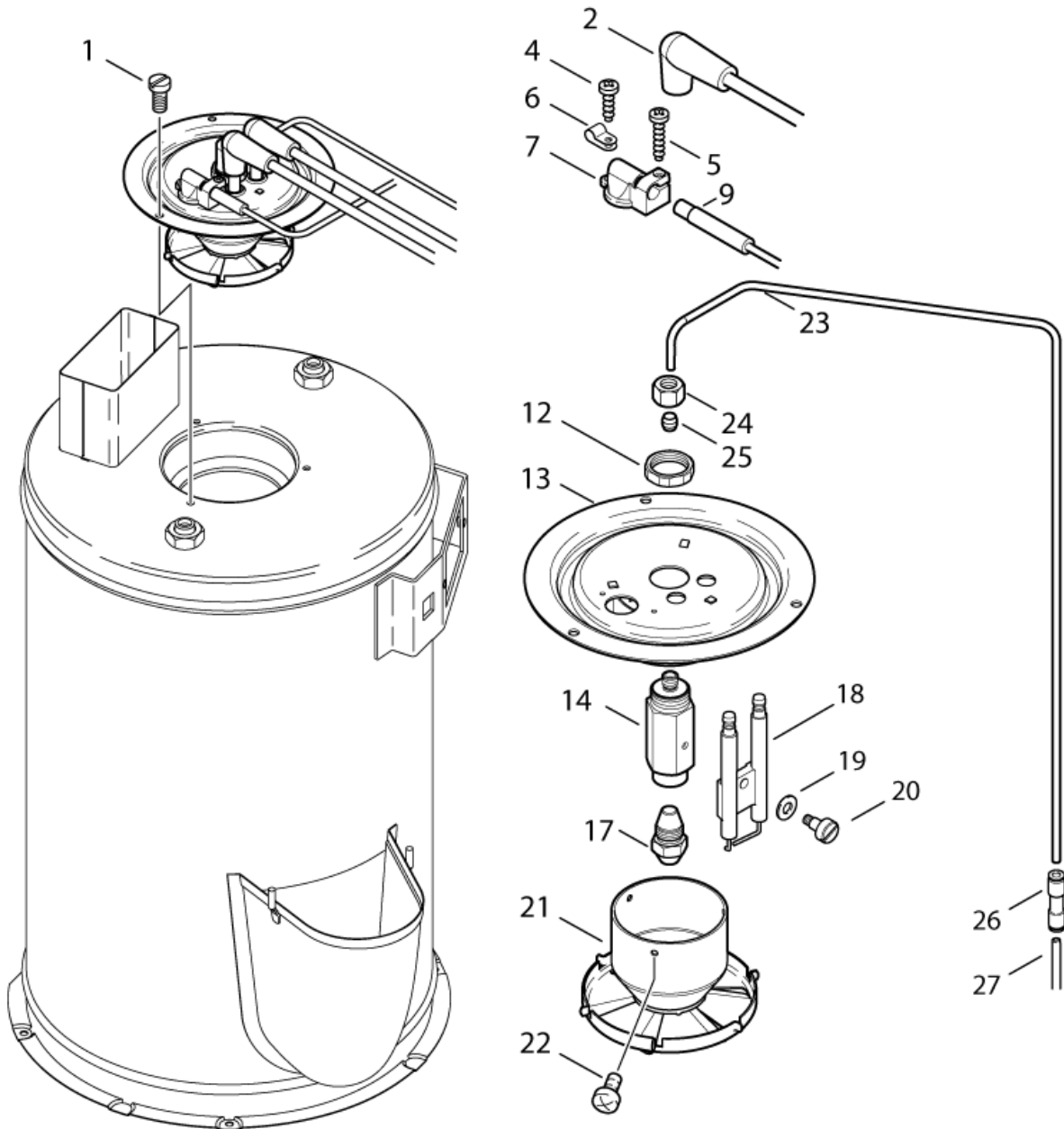
[1] - PLEASE CONTACT CARWASH DIRECTLY



Pos.	Numer Produktu	ilość	Opis	Notes
1	4820	3	SCREW M5X10	
2	301000859	2	ZASILACZ Ø7X650	
3	101117876	1	CIRCLIPS	
4	101117913	1	ELBOW 4/M5 PUSH-IN	
5	909100141	1	RURKA Ø4X1 DIN 73378	
6	5606	1	SCREW 2.9X19	
7	301000934	1	HOLDER FLAMESENSOR	
8	301000729	1	CZUJNIK PŁOMIENIA	
9	4036	2	SHEET METAL SCREW 2.9X9	
10	301001069	1	HOLDER Ø 4.8	
11	301000606	1	COVER D150X38	
12	101117915	1	OIL NOZZLE HOLDER	
13	301001068	1	FUEL NOZZLE 1.35GAL/H 60	[1]
13	101118013	1	FUEL NOZZLE 2.25 GAL/H 60 DEG H KIT	[2]
14	301150009	1	ELEKTRODY	
15	909100144	1	SPRING WASHER B5	
16	909100143	1	PAN HEAD SCREW M4X 4.5	
17	301001833	1	AIR DISTRIBUTOR D90X59.2	
18	51848	3	OVAL HEAD SCREW M3X4	

Part Notes:

- [1] - 7-25
 [2] - 7 not 7-25



Pos.	Numer Produktu	ilość	Opis	Notes
1	4820	3	SCREW M5X10	
2	301000859	2	ZASILACZ Ø7X650	
4	4036	1	SHEET METAL SCREW 2.9X9	
5	5606	1	SCREW 2.9X19	
6	301001069	1	HOLDER Ø 4.8	
7	301000934	1	HOLDER FLAMESENSOR	
9	301000729	1	CZUJNIK PŁOMIENIA	
12	909100139	1	HEXAGON NUT M20X1 24X6 CUZN	
13	301000606	1	COVER D150X38	
14	301001548	1	HOLDER OIL ATOMIZER SW22X65.5	
17	101118013	1	FUEL NOZZLE 2.25 GAL/H 60 DEG H KIT	[1]
18	301150009	1	ELEKTRODY	
19	909100144	1	SPRING WASHER B5	
20	909100143	1	PAN HEAD SCREW M4X 4.5	
21	301001833	1	AIR DISTRIBUTOR D90X59.2	
22	51848	3	OVAL HEAD SCREW M3X4	
23	301002072	1	PIPE BENDED D4X582	
24	1603430	1	UNION NUT	
25	1603448	1	PODKŁADKA	
26	301001912	1	UNION PIECE 4/4	
27	909100141	1	RURKA Ø4X1 DIN 73378	

Part Notes:

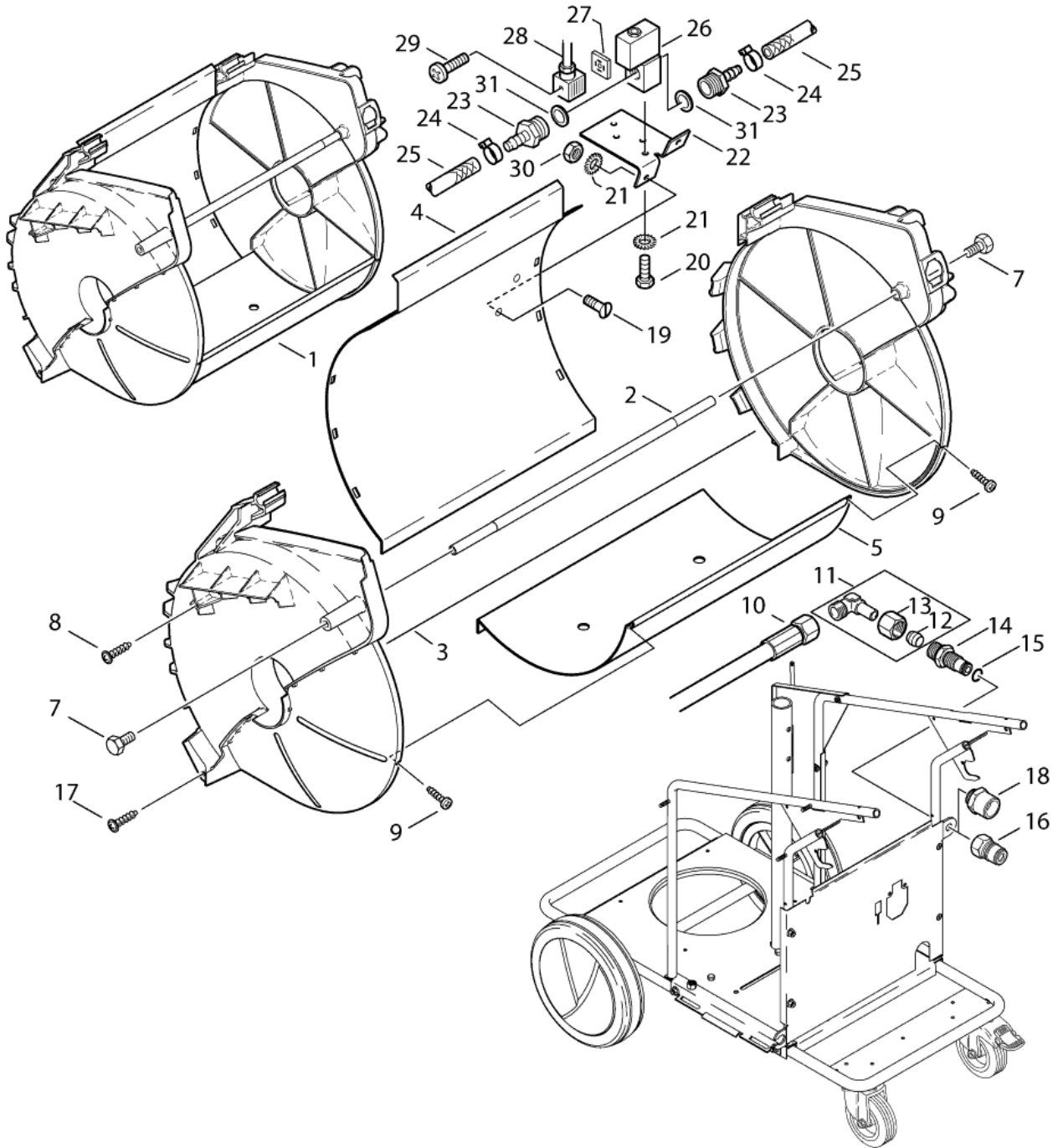
[1] - from Serial no.2010960107 - TSB no. 2010-027TSB-PPW-2010-027 oil nozzle

Basket

NEPTUNE 7-63 FA / MH 7P 175/1260

2015.05.19

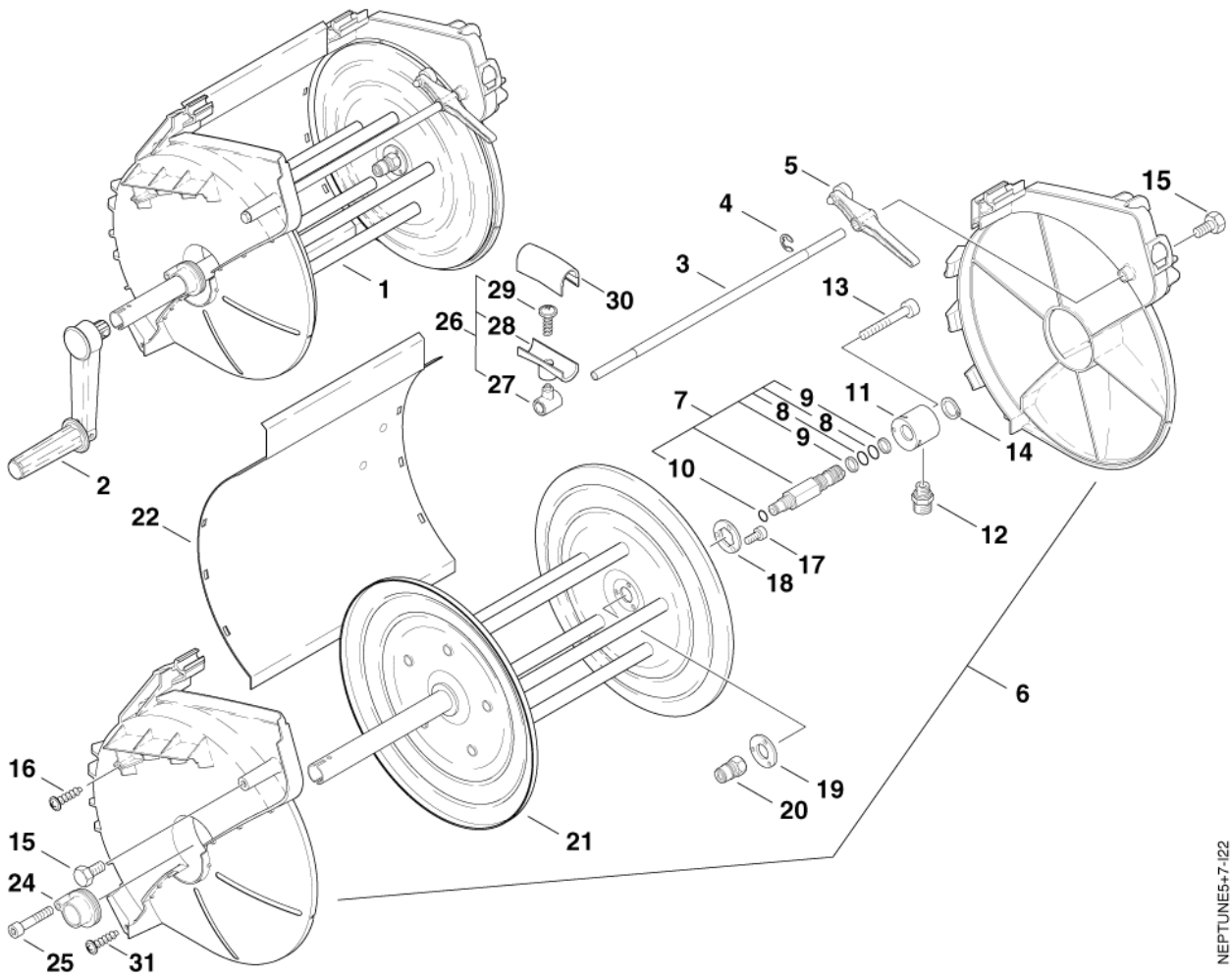
2016.08.12



Pos.	Numer Produktu	ilość	Opis	Notes
1	301000708	1	BASKET	[1]
2	301000668	1	GUIDE BAR Ø12X451	[2]
3	301001359	1	HOSE REEL CABINET LEFT/RIGHT	[3]
4	301000602	1	SHEET METAL 390X262X142	[3]
5	301000601	1	SHEET METAL 390X261X142	[3]
7	6557	2	SCREW M8X16	
8	11565	2	SCREW 5X18 WN1411	
9	18086	2	SCREW 2.9X13	[3]
10	301000856	1	HP-HOSE Ø 8X730	[4]
10	301000855	1	WAŻ D8X650	[5]
11	101118094	1	ZŁĄCZE M18X1.5	
12	1080	1	PIERŚCIEŃ L12 B DIN 3861 ST/ZN	[6]
13	1081	1	NAKRETKA L12 DIN 3870-A ST/ZN	
14	301000627	1	ZŁĄCZE	
15	42768	1	O-RING 11.2x1.8 DIN 3771 NBR70	
16	1600493	1	ZŁĄCZE MĘSKIE ERGO 3/8"	
17	43341	2	SCREW 5X30	

Part Notes:

- [1] - CONTAINS *
- [2] - *
NO LONGER AVAILABLE
- [3] - *
- [4] - N7, NOT 7-25
- [5] - N5+7-25
- [6] - PLEASE CONTACT CARWASH DIRECTLY

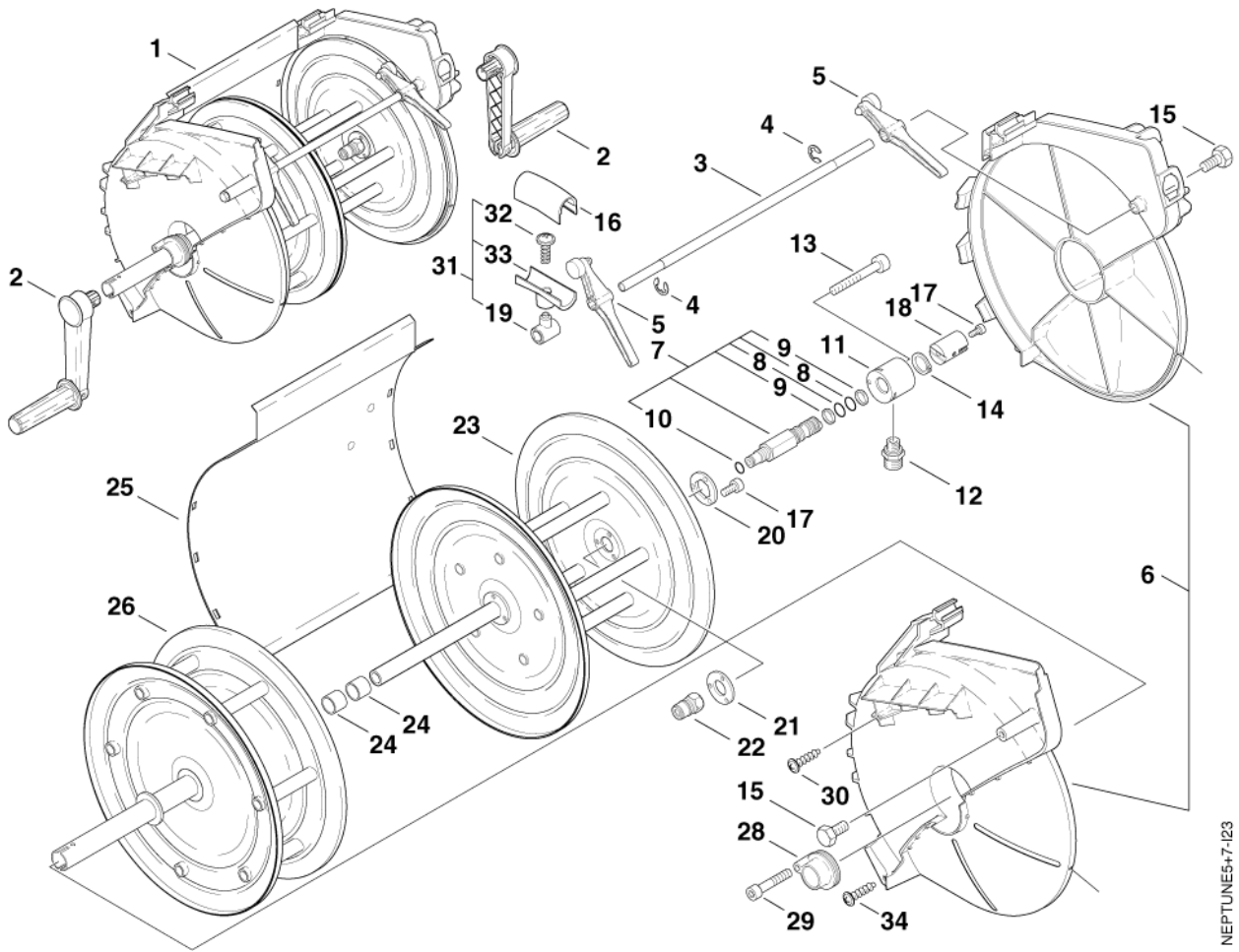


NEPTUNE5+7-122

Pos.	Numer Produktu	ilość	Opis	Notes
00	301001131	1	BĘBEN WEŻA 20M KPL.	
1	301000851	1	HOSE REEL 50M	
2	301000733	1	CRANK 190X175X45	
3	301000668	1	GUIDE BAR Ø12X451	[1]
4	1814466	1	SAFETY WASHER D9 A2 DIN 6799	
5	301000746	1	BRAKE FOR HOSE REEL	
6	301001359	1	HOSE REEL CABINET LEFT/RIGHT	
7	301001096	1	HP-HOISTING RING	
8	19620	2	O-RING 15.54x2.62 DIN 3771 NBR70	
9	63792	2	SUPPORTING RING 16.26X2.18	
10	42768	1	O-RING 11.2x1.8 DIN 3771 NBR70	
11	301000624	1	HOISTING RING HOUSING 45X4	
12	54590	1	FITTING XGE12L 1/4NPT	
13	5100	1	SCREW M6X45 ISO 4762	
14	1802057	1	CIRCLIP EXTERNAL 20X1.2 STEEL. DIN 471	
15	6557	2	SCREW M8X16	
16	11565	2	SCREW 5X18 WN1411	
17	3913	3	SCREW M6X12	
18	301000653	1	PODKŁADKA Ø 45X4	
19	301000850	1	WASHER Ø2	
20	1600493	1	ZŁĄCZE MĘSKIE ERGO 3/8"	
21	301000698	1	HOSE REEL 50M	
22	301000602	1	SHEET METAL 390X262X142	
24	301000849	1	BEARING LEFT Ø 50X33	
25	5945	1	SCREW M6X30	
26	301000780	1	HOSE GUIDE 70X40	
27	301000672	1	HOSE GUIDE SLEEVE 33.2X2	
28	301000676	1	HOSE GUIDE SECTION LOWER	
29	10028	1	SRUBA KA50X14 WN1411	
30	301000674	1	HOSE GUIDE SECTION - UPPER 70X31.7X28.5	
31	43341	2	SCREW 5X30	

Part Notes:

[1] - NO LONGER AVAILABLE

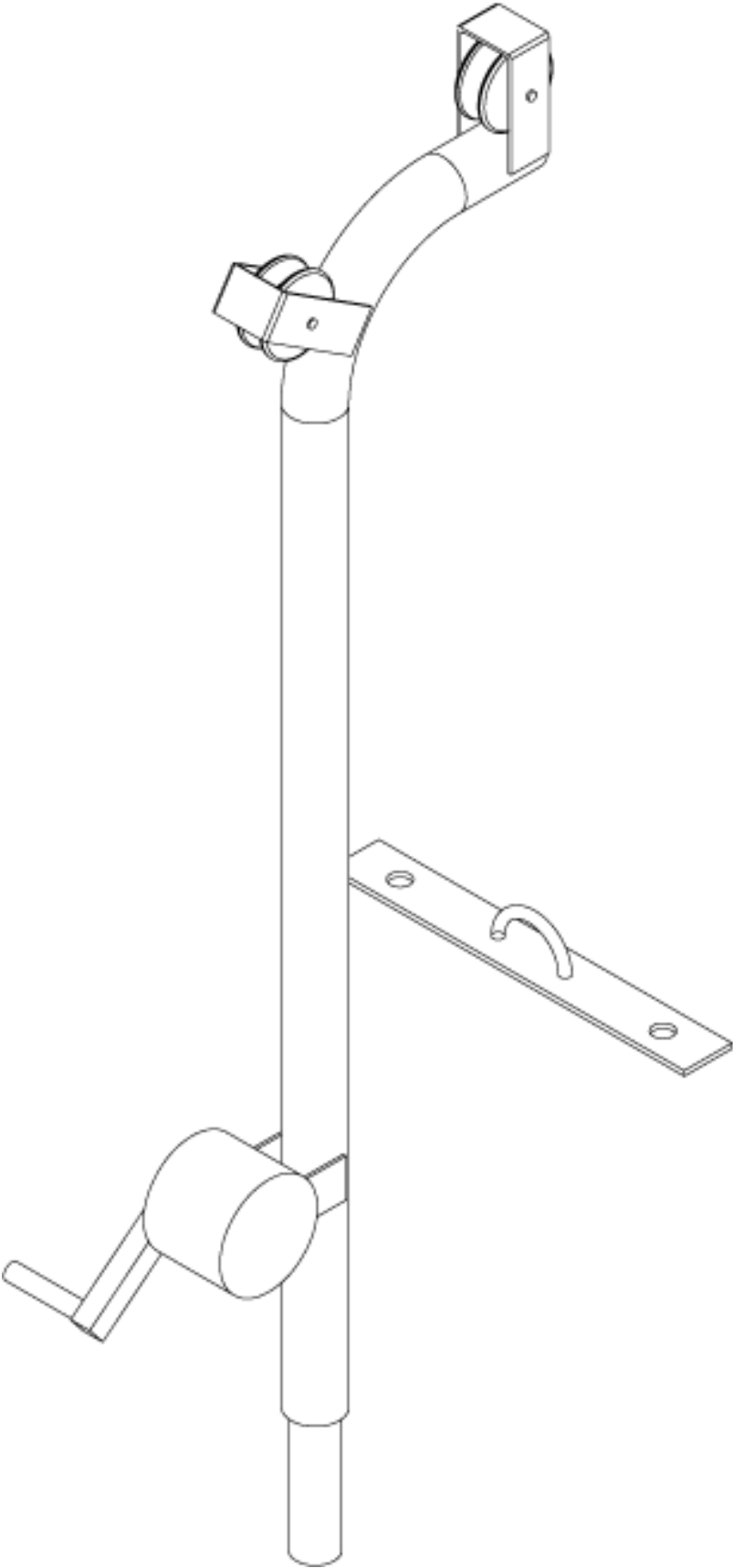


NEPTUNE5+7-123

Pos.	Numer Produktu	ilość	Opis	Notes
1	301001130	1	HOSE CORD REEL SET	
2	301000733	2	CRANK 190X175X45	
3	301000668	1	GUIDE BAR Ø12X451	[1]
4	1814466	2	SAFETY WASHER D9 A2 DIN 6799	
5	301000746	2	BRAKE FOR HOSE REEL	
6	301001359	1	HOSE REEL CABINET LEFT/RIGHT	
7	301001096	1	HP-HOISTING RING	
8	19620	2	O-RING 15.54x2.62 DIN 3771 NBR70	
9	63792	2	SUPPORTING RING 16.26X2.18	
10	42768	1	O-RING 11.2x1.8 DIN 3771 NBR70	
11	301000624	1	HOISTING RING HOUSING 45X4	
12	54590	1	FITTING XGE12L 1/4NPT	
13	5100	1	SCREW M6X45 ISO 4762	
14	1802057	1	CIRCLIP EXTERNAL 20X1.2 STEEL. DIN 471	
15	6557	2	SCREW M8X16	
16	301000674	1	HOSE GUIDE SECTION - UPPER 70X31.7X28.5	
17	3913	4	SCREW M6X12	
18	301000625	1	ADAPTER Ø28X48	
19	301000672	1	HOSE GUIDE SLEEVE 33.2X2	
20	301000653	1	PODKŁADKA Ø 45X4	
21	301000850	1	WASHER Ø2	
22	1600493	1	ZŁĄCZE MĘSKIE ERGO 3/8"	
23	301000662	1	HOSE REEL 30M	
24	301001179	2	BEARING BUSHING 22X 24X2	
25	301000602	1	SHEET METAL 390X262X142	
26	301000654	1	CORD REEL Ø 351X363	
28	301000849	1	BEARING LEFT Ø 50X33	
29	5945	1	SCREW M6X30	
30	11565	2	SCREW 5X18 WN1411	
31	301000780	1	HOSE GUIDE 70X40	
32	10028	1	SRUBA KA50X14 WN1411	
33	301000676	1	HOSE GUIDE SECTION LOWER	
34	43341	2	SCREW 5X30	

Part Notes:

[1] - NO LONGER AVAILABLE



NEPTUNE5+7-124

Service crane

NEPTUNE 7-63 FA / MH 7P 175/1260

2015.05.19

2013.04.02

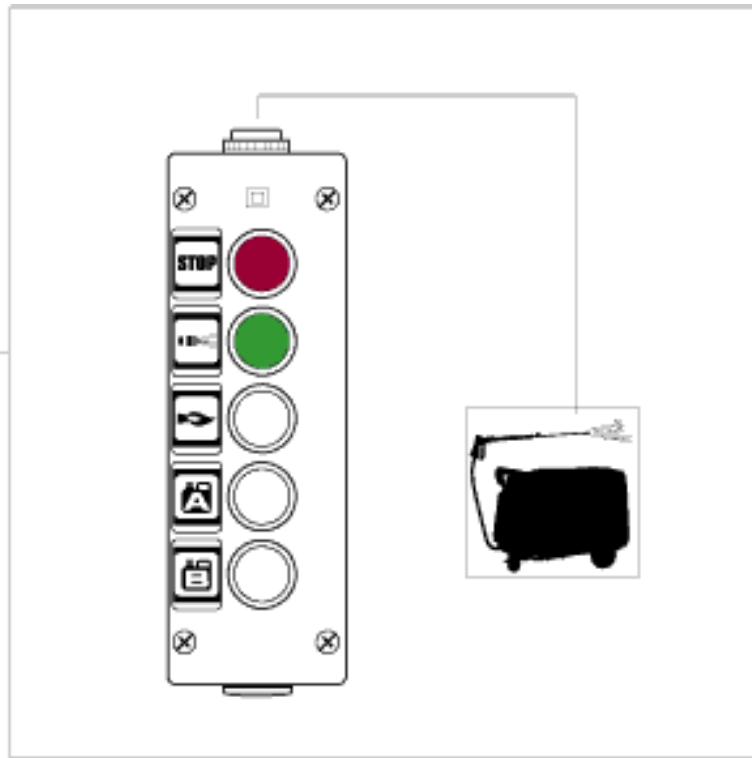
Pos.	Numer Produktu	ilość	Opis	Notes
0-	301001078	1	SERVICE CRANE	

Pos.	Numer Produktu	ilość	Opis	Notes
0-	106403122	1	PISTOLET ERGO 2000 Z OBROTNICĄ	[1]
0-	106403123	1	PISTOLET ERGO 2000 VARIO PRESS	[2]
00	106403012	1	TORNADO PLUS 2080 ZAKRZYWIONA, BEZ DYSZY	[3]
00	106403010	1	LANCA TORNADO PLUS 1120 ZAKRZYWIONA	[3]
00	101119743	1	DYSZA TORNADO 0550 1/8"NPT ZIELONA NEON	[4]
00	101119748	1	DYSZA TORNADO 0700 1/8"NPT POMARAŃCZOWA	[5]
00	101119747	1	DYSZA TORNADO 0680 1/8"NPT SZARA	[6]
1	1402072	1	WAŻ 20MT 3/8 DN10	[7]
1	6101766	1	WAŻ 10 M 3/8IN DN10	[7]
2	106402191	1	PISTOLET VARIO PRESS	[8]
2	106402190	1	PISTOLET ERGO 3000	[9]

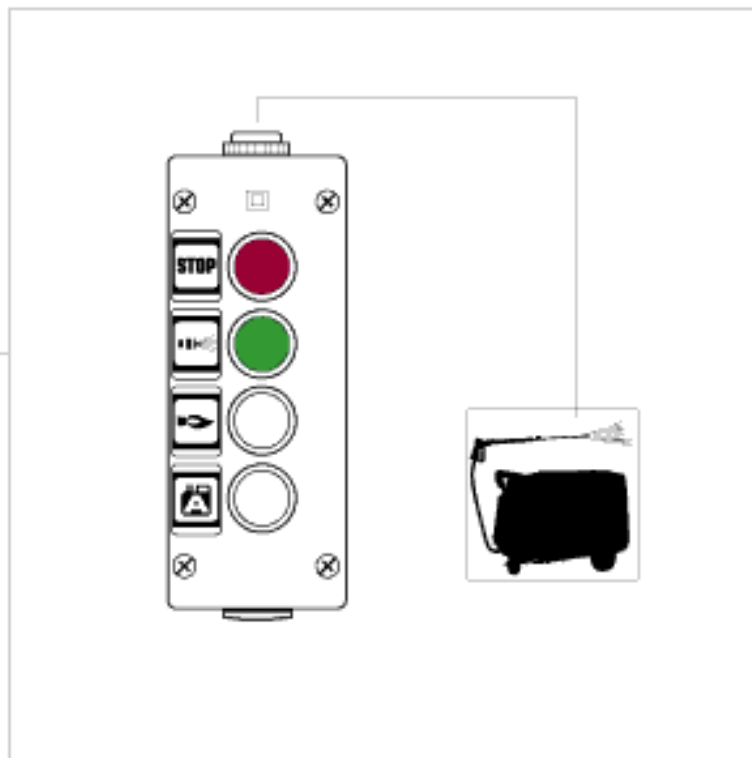
Part Notes:

- [1] - ERGO 2000 Spray handle
- [2] - ERGO 2000 VP Spray handle
- [3] - TORNADO PLUS lance
- [4] - 7-25
- [5] - 7-63, 230/400V
- [6] - 7-63
- [7] - HOSES Overview
- [8] - Up to 2010
- [9] - ERGO 3000 Spray handle with swivel lock - from 15.09.03
Up to 2010

1



2



Pos.	Numer Produktu	ilość	Opis	Notes
1	301001356	1	STEROWNIK KPL. 2X DETERGENT	
2	301001355	1	ZDALNE STEROWANIE 1X DETERGENT	
NI	301001357	1	ELECTRONIC UNIT FOR REMOTE CONTROL	[1]

Part Notes:

[1] - Print for remote control

Resource notes:

A-Parts. Wearing parts. Number of machines x1,2 B-Parts. Wearing parts. Number of machines x0,6 C-Parts:
Wearing parts. Number of machines x0,4 Not marked spare parts are "just in case parts"

Pos.	Numer Produktu	ilość	Opis	Notes
00	101117826	1	ANTISCALE PUMP ST-15 35 ML WITH PLUG 24V	[1]
00	5218433	1	OLEJ DO POMPY 150 1X1L	[2]
01	101117831	1	SCREW FITTING F MOUNTING ANTISCALE PUMP	[1]
02	301000615	1	POKRYWA	[3]
02	107121501	2	PLUG D8X10.5 CUZN	[2]
02	6101038	1	TŁOK	[2]
02	7012	4	HEXAGON NUT M18X1.5	[1]
02	301002123	1	MICROPROCESSOR	[2]
02	301000680	1	MAIN CIRCUIT BOARD	[2]
02	6101042	1	OBUDOWA	[1]
02	101117828	1	ANTISCALE PUMP ST-15 140ML 24V	[1]
02	301000733	1	CRANK 190X175X45	[3]
02	62397	1	ROTARY KNOB	[3]
03	6201545	1	HOUSING F. FLOW SWITCH	[1]
03	107145440	1	STRAINER VALVE COMPL. KIT	[2]
03	3001179	1	O-RING 39.6X2.4 NITRIL 70 SH	[2]
03	101117833	1	HOSE D3/D5 TRANSPARENT 0.6MM KIT	[1]
03	3000270	2	O-RING 5.1X1.6 NITRIL 70SH	[2]
03	10028	1	SRUBA KA50X14 WN1411	[2]
04	301000678	1	DISPLAY CIRCUIT BOARD	[1]
04	G120381	1	O-RING 18.00X2.00 N70	[2]
04	19690	1	O-RING 19.0x1.8 DIN 3771 NBR70	[2]
04	301000889	1	KOŁO WENTYLATORA	[1]
04	301000582	2	BUSHING Ø22X1.5X24	[1]
05	3001740	1	O-RING 7.66X1.78 NITRIL 70SH	[2]
05	16443	1	O-RING 17.0x2.0 DIN 3770 NBR70	[2]
05	12496	3	HEXAGON NUT M6	[1]
05	101117798	1	MAGNET HOUSING CPL. KIT	[2]
06	106408257	1	MOTOR BURNER - 0.23KW/230V/50HZ/1PH	[1]
06	106408258	1	MOTOR BURNER - 0.29KW/230V/50HZ/1PH	[1]
06	49473	1	MANOMETER 0-315 BAR G1/4 NG50	[3]
06	62706	1	O-RING	[2]
06	101117799	1	HOUSING FOR FLOW SWITCH KIT	[3]
06	301000732	1	BEZPIECZNIK	[3]
07	101117800	1	WŁĄCZNIK	[3]
07	909100207	1	ROTARY KNOB 6X6+8X8 PP	[1]
07	301001096	1	HP-HOISTING RING	[2]
07	101117784	1	ZAWÓR	[2]
07	301000934	1	HOLDER FLAMESENSOR	[1]
07	301001348	1	FUEL PUMP 24V KEROSENE	[2]
07	101117989	1	OIL PUMP SP55B 4316M KEROSENE	[4]
07	6100602	1	RETAINING RING	[2]
07	16443	2	O-RING 17.0x2.0 DIN 3770 NBR70	[2]
07	101406100	1	HOSE DN 6X3 5M	[1]
07	101117988	1	OIL PUMP SP55B 431 DIESEL	[2]
07	301000888	1	FUEL PUMP 24V DIESEL	[2]
08	301000730	1	CZUJNIK TEMPERATURY	[3]
08	34218	1	FILTER FOR FLOAT VALVE Ø19 KU	[2]
08	9868	1	O-RING 10.2X2.5 NBR 70	[2]
08	301001099	1	NAGRZEWNICA	[1]
08	1226	1	COUPLING PVC	[2]
08	3000825	1	O-RING 20.24X2.62 NITRIL 70SH	[2]
08	301000729	1	CZUJNIK PŁOMIENIA	[2]
09	909100206	2	ROTARY KNOB D6X5 BLUE	[1]
09	301000791	1	PUMP NP5 15.20 N 15L/MIN 200BAR ALTO	[2]
09	301000561	1	TANK COVER DETERGENT	[1]
09	301000729	1	CZUJNIK PŁOMIENIA	[2]
09	62877	1	SWIMMER Ø 55X60	[2]
09	6100611	1	REAR BEARING COVER	[3]

Recommended spare parts

NEPTUNE 7-63 FA / MH 7P 175/1260

2014.11.27

2017.06.27

Pos.	Numer Produktu	ilość	Opis	Notes
09	6221773	1	REED SWITCH WITH O-RING	[1]
09	301000916	1	INSULATION Ø320.5X89	[2]
10	19690	1	O-RING 19.0x1.8 DIN 3771 NBR70	[2]
10	301000730	1	CZUJNIK TEMPERATURY	[2]
10	62878	1	MEMBRANE RUBBER	[3]
10	1802529	1	KLIPS	[3]
10	1119319	1	FLOW SWITCH REP.KIT	[3]
11	3200623	1	REAR BEARING	[2]
11	24347	2	O-RING 21.0x2.5 DIN 3770 FPM80	[5]
11	301000855	1	WAŻ D8X650	[1]
11	301001096	1	HP-HOISTING RING	[2]
11	1603430	2	UNION NUT	[1]
11	301000856	1	HP-HOSE Ø 8X730	[1]
11	6184074	2	KÓŁKO D300	[1]
11	301000879	1	TRANSFORMATOR	[1]
12	1119566	1	ZAWÓR ZWROTNY	[2]
12	46363	2	CLAMPING RING D25	[1]
12	3004226	1	O-RING 13.0x3.0 SMS 1586 NBR70	[2]
12	62401	1	OBUDOWA MIKROWŁACZNIKA	[3]
12	301001000	1	ZAWÓR	[3]
12	28877	1	SWITCH 10A 400V AC	[1]
12	301001196	1	CZUJNIK POZIOMU OLEJU	[2]
12	301000879	1	TRANSFORMATOR	[1]
12	6301166	1	TŁOK CERAMICZNY	[3]
12	63058	1	ZŁĄCZE	[3]
13	3200672	1	TONGUE 6X6X32 A DIN 6885 ST	[1]
13	301000914	1	SUPPORT 4X14	[1]
14	909100141	1	RURKA Ø4X1 DIN 73378	[1]
14	301000554	2	CASTOR D125 WITH BRAKE	[1]
14	301000859	2	ZASILACZ Ø7X650	[3]
14	301001103	1	ORIFICE 8.5X11.5X16	[6]
14	301000858	1	PRZEWOD ZASILAJĄCY	[3]
14	6100610	1	CYLINDER BLOCK	[1]
14	56519	1	O-RING	[2]
14	301000187	1	ORIFICE 7.0X11.5X16	[7]
14	301000644	1	FUEL GAUGE	[3]
14	301000731	1	MIKROWŁACZNIK 250V	[2]
15	301000541	1	OSŁONA	[1]
15	6101750	1	FRONT BEARING COVER COMP.	[2]
15	301000905	1	TŁOK	[2]
16	106408239	1	TUBE D6 X 1 MEWA DIN 73378 - 5 METERS	[1]
16	107120700	1	PIERSCIEN	[2]
17	301001068	1	FUEL NOZZLE 1.35GAL/H 60	[2]
17	107121503	1	HOLLOW SCREW WATER INLET	[1]
18	63538	1	CONTACT PISTON	[2]
18	301001060	1	TRANSFORMER 115AT 200V 2	[1]
18	1756	1	FILTR PALIWA	[2]
18	301001196	1	CZUJNIK POZIOMU OLEJU	[3]
18	101117724	1	POWER TRANSFORMER 230/400-24/8V T70	[1]
18	57571	1	COMPLETE CONTACT PISTON	[2]
18	301001059	1	TRANSFORMER 220AT 460V 24	[1]
18	64314	1	ZESTAW NAPRAWCZY	[2]
18	24347	1	O-RING 21.0x2.5 DIN 3770 FPM80	[8]
19	909100173	1	O-RING 56.0X5.0 NBR70	[2]
19	909100144	1	SPRING WASHER B5	[1]
19	101117806	1	HP HOSE CPL. KIT	[3]
19	40907	1	O-RING 31.47x1.78 ARP AS 568 A NBR70	[2]
19	6231	1	SPRĘŻYNA 0.5X11X44 VA	[2]
19	16443	1	O-RING 17.0x2.0 DIN 3770 NBR70	[2]

Pos.	Numer Produktu	ilość	Opis	Notes
19	1119317	1	VENTING VALVE REP.KIT	[2]
20	3200656	1	LOZYSKO	[2]
20	103822313	1	CONTACTOR CJX2-D25 25A 24V 3P+NO/US	[3]
20	9868	1	O-RING 10.2X2.5 NBR 70	[2]
20	103822317	1	CONTACTOR CJX2-D32 32A 24V 3P+NO	[3]
20	301001292	1	FILTR	[3]
20	62697	1	SRUBA M7X36/51 G3/8 SW22 ZN	[1]
20	103822306	1	CONTACTOR CJX2-D18 18A 24V 3P+NO	[3]
20	909100143	1	PAN HEAD SCREW M4X 4.5	[1]
21	301000415	1	CAPACITOR 80MICRONFOR 420V	[2]
21	3812385	1	FUSE D5x20 6.3A VISCOUS US	[2]
21	101119410	1	REP. KIT GASKETS	[2]
21	49461	1	O-RING 11.0x1.5 NBR90	[2]
21	3200615	1	LOZYSKO	[2]
21	101406100	1	HOSE DN 6X3 5M	[3]
22	107120716	1	KRZYWKA	[2]
22	107120710	1	WOBBLE DISC 6	[2]
22	9523	1	O-RING 17.0x1.5 NBR70	[2]
22	6101069	1	SAFETY DISK	[2]
22	62706	1	O-RING	[2]
22	107120719	1	WOBBLE DISC NO 17	[2]
22	107120708	1	WOBBLE DISC 4	[2]
23	301002926	1	FILTR	[2]
23	301000857	1	HP HOSE Ø8X830	[2]
23	32091	1	O-RING 21.0x2.0 DIN 3770 NBR70	[2]
23	1802511	1	KLIPS	[2]
24	3200664	1	LOZYSKO	[2]
24	301002458	1	STYCZNIK	[2]
26	107120704	1	ELEMENT LOZYSKA	[2]
26	26817	1	ALL-OR-NOTHING RELAY	[1]
27	6301368	1	STUDS	[1]
28	11060	1	STARTER RELAY 220V AC	[3]
28	301000634	1	COVER Ø50.7X17.3 PC	[1]
29	1118580	1	ZESTAW NAPRAWCZY	[2]
32	301000293	1	SWITCH START/TRIANGLE 16	[3]
40	301002353	1	INRUSH CURRENT LIMITER 5 OHM / 5W	[2]
42	107140163	1	CONVERSION KIT NEPTUNE 5-45 US	[9]
42	301002469	1	CIRCUIT BOARD 1PH 24VAC	[10]
49	1119310	1	ZAWÓR	[2]
50	1119571	1	KOMPLET NAPRAWCZY	[2]
51	1119820	1	OIL SEAL 03/C3 REP.KIT	[2]
52	1119570	1	ZESTAW USZCZELNIEN	[2]
77	103822301	1	STYCZNIK Cjx2-D12-B7 24V	[3]
95	1118512	1	ZESTAW NAPRAWCZY	[2]
99	301001195	1	ZESTAW NAPRAWCZY	[2]

Part Notes:

- [1] - "C"
- [2] - "A"
- [3] - "B"
- [4] - "A"
Kerosene
- [5] - "B"
PLEASE CONTACT CARWASH DIRECTLY
- [6] - "C"
NO LONGER AVAILABLE
- [7] - "C"
STOCK COVERS GUARANTEE
- [8] - "A"
PLEASE CONTACT CARWASH DIRECTLY

- [9] - "A"
STOCK COVERS GUARANTEE
- [10] - "B"
ALTERNATIVE USE 107140163

