

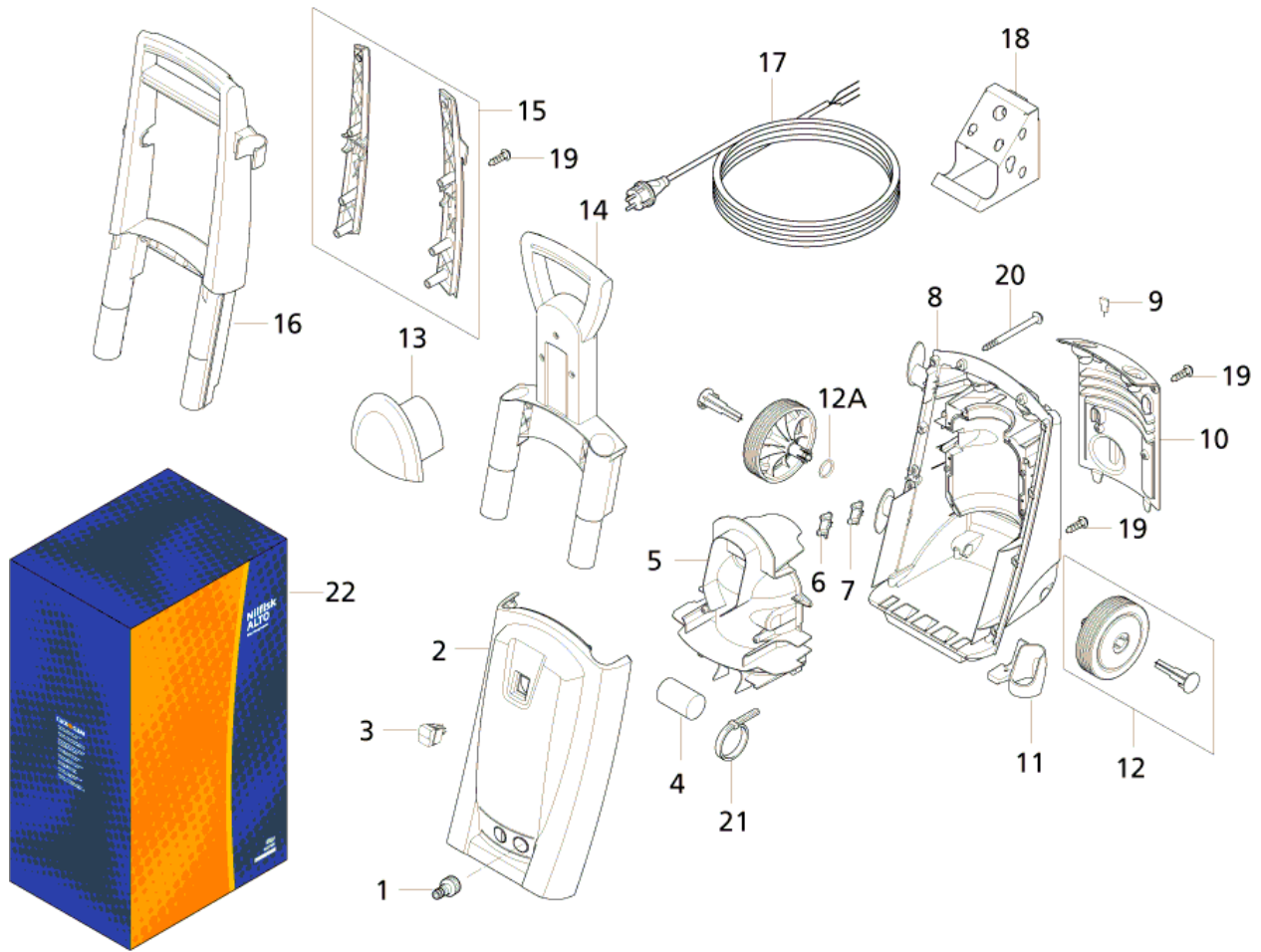
PARTS LIST



2017.04.05

TABLE OF CONTENTS

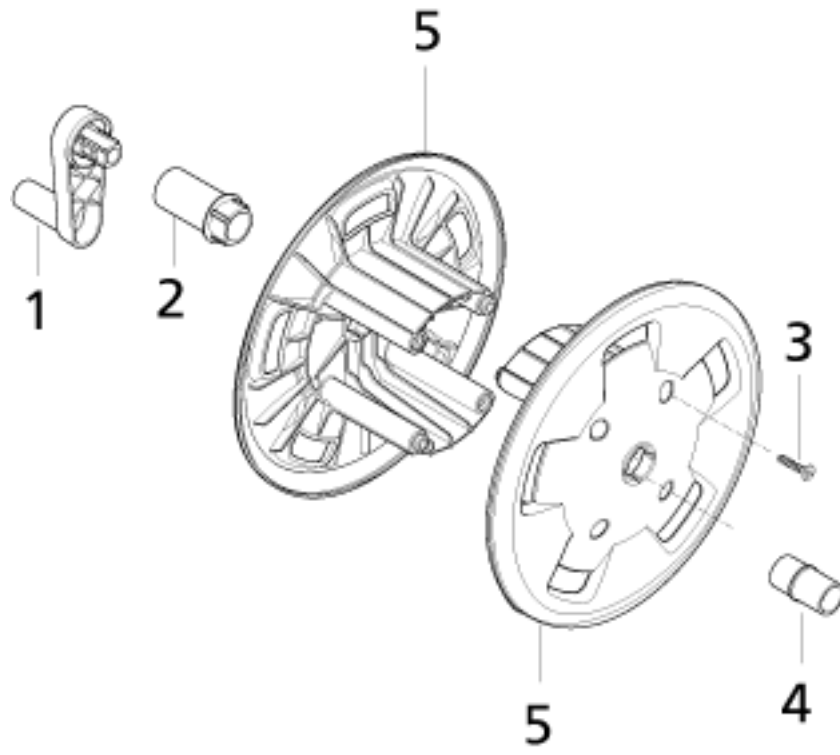
Overview	1
Hose reel	3
Default accessories	5
Motor pump	7



Pos.	Numer Produktu	ilość	Opis	Notes
1	1402809	1	SZYBKOZŁĄCZKA	
2	126486724	1	ALTO FRONT COVER	[1]
3	61887	1	ON/OFF SWITCH SIGNAL LUX	[1]
4	128307027	1	KIT CAPACITOR 30UF 500V	
5	126486704	1	MOTOR PUMP COVER	[1]
6	126486726	1	PULL RELIEF 6-2	[1]
7	126486727	1	PULL RELIEF 9-2	[1]
8	126486707	1	CHASSIS	[1]
9	6520844	1	IGŁA	
10	126486712	1	CHASSIS REAR COVER	[2]
11	126486723	1	LOWER LANCE HOLDER	[2]
12	126486709	2	SIMPLE WHEEL AND LOCK ALTO	[2]
12A	6486774	1	BACK-UP RING WHEEL KIT 2.PCS	[3]
13	126486715	1	HOSE HOOK FRONT	[1]
14	126486713	1	TROLLEY HANDLE SMALL	[1]
15	126486716	1	COVER FOR HANDLE RIGHT&LEFT	[1]
16	126486717	1	TROLLEY HANDLE LARGE. FRONT	[1]
17	128332418	1	CABLE WITH PLUG JP	[2]
17	126481776	1	CABLE WITH PLUG GB	
17	126481778	1	CABLE WITH PLUG	[3]
17	126481779	1	CABLE WITH PLUG AUS/NZ	
17	128332416	1	CABLE WITH PLUG EU	[3]
18	106411386	1	HAK NA ŚCIANĘ	
19	107141838	14	SCREW K50X18 WN1451 BLACK TORX20	
20	1814733	2	SCREW K50X50 TORX BLACK	
21	1800416	1	CABLE TIE 4.8 X188 PA6.6 BLACK	[1]
22	126481154	1	BOX-10 PCS OF C120.1 X-TRA	[4]

Part Notes:

- [1] - STOCK COVERS GUARANTEE
- [2] - NO LONGER AVAILABEL
- [3] - GUARANTEE DATE EXPIRED
- [4] - C120.1 X-TRA
PACKAGING OUTPHASED



Pos.	Numer Produktu	ilość	Opis	Notes
1	6528569	1	HOSE REEL HANDL	
2	6528571	1	ADAPTOR	
3	107141838	4	SCREW K50X18 WN1451 BLACK TORX20	
4	126486736	1	ADAPTOR FOR HOSE REEL	[1]
5	126486719	2	HOSE REEL HALF PART	[2]

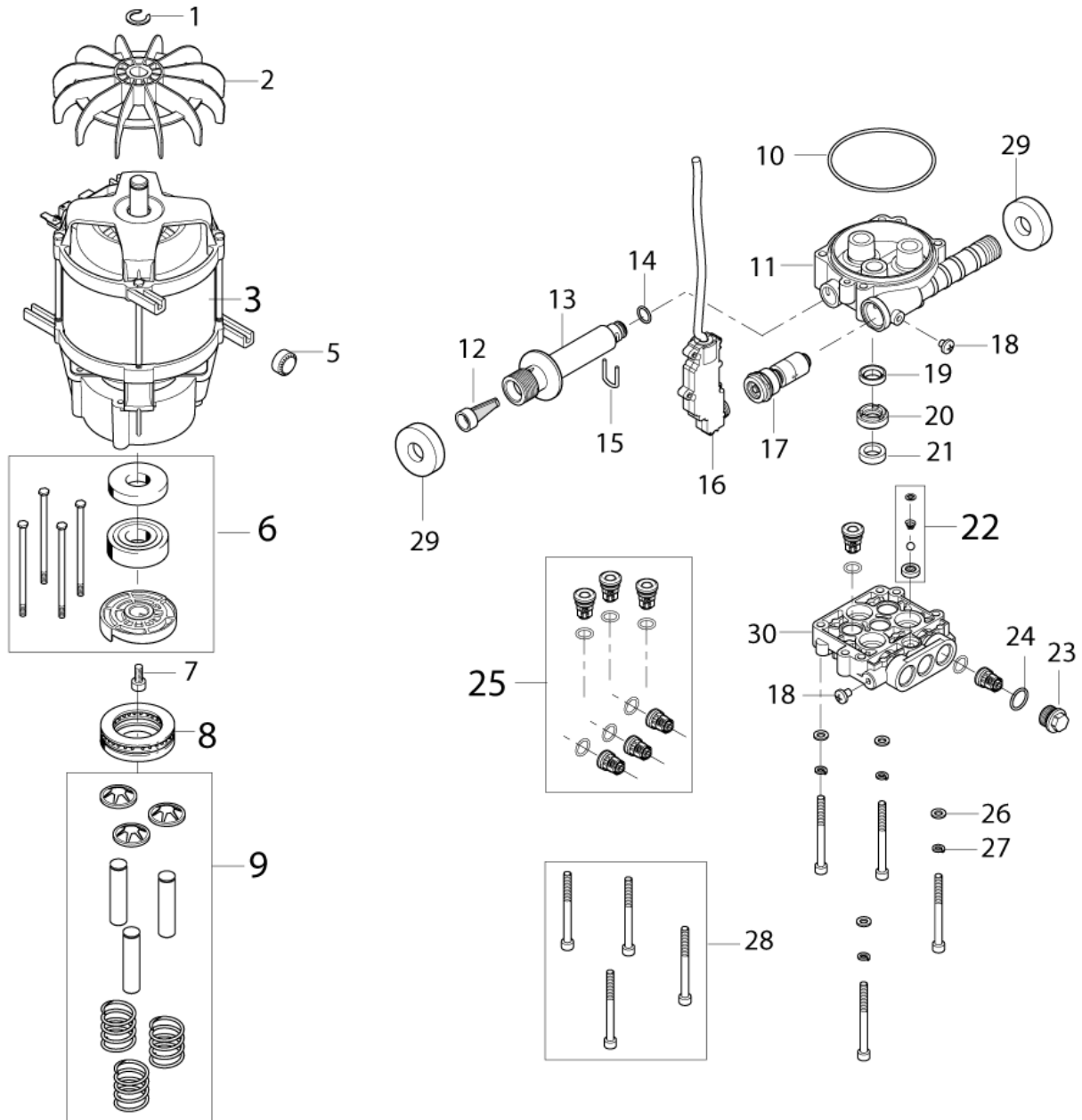
Part Notes:

- [1] - NO LONGER AVAILABEL
- [2] - STOCK COVERS GUARANTEE

Pos.	Numer Produktu	ilość	Opis	Notes
01	6520844	1	IGŁA	
01	126486743	1	PISTOLET Z WEŻEM 10 M	[1]
01	6411131	1	SZCZOTKA SAMOCHODWA	[2]
01	126486741	1	SPRAY HANDLE WITH HOSE 8M	
01	128500298	1	DYSZA C&C POWERSPEED	
01	128500077	1	C&C OPRYSKIWACZ DO PIANY Z BUTLĄ	
01	126481118	1	DYSZA TORNADO PR TURKUSOWA	[3]
01	126486741	1	SPRAY HANDLE WITH HOSE 8M	
01	126411376	1	AKCESORIUM PATIO CLEANER PLUS	[4]
01	6411135	1	DYSZA KĄTOWA	

Part Notes:

- [1] - ALTERNATIVE 126486741 8 M
- [2] - A models
- [3] - JP
- [4] - P models



Pos.	Numer Produktu	ilość	Opis	Notes
1	27279	1	SAFETY RING	
2	126486752	1	FAN	[1]
3	126486757	1	MOTOR 100V 60HZ	[2]
3	126486753	1	MOTOR	[1]
3	126486756	1	MOTOR 100V 50HZ	[3]
5	128332334	4	RACK FOR MOTOR	
6	126486789	1	WOBBLE DISC KIT 230V 50HZ	[1]
6	126486798	1	WOBBLE DISC KIT 100V 60HZ	[4]
6	126486799	1	WOBBLE DISC KIT 100V 50HZ	[5]
7	1814629	1	SCREW. UNBARS M6X20	[1]
8	126486763	1	BEARING KIT	
9	126486765	1	PISTON KIT	
10	106481873	1	O-RING 85X2.5 NBR70	
11	126486767	1	CYLINDER BLOCK	
12	6481094	1	STRAINER	
13	126486781	1	WATER INLET PIPE	
14	126486785	1	O-RING FOR WATER INLET PI PE	[6]
15	126486786	1	LOCK	[1]
16	126486769	1	S/S MICRO SWITCH CABLE	
17	126486768	1	S/S PISTON KIT	
18	126486776	1	SCREW M6X6	[1]
19	126486770	1	OIL SEALS 3 PCS	
20	126486771	1	BACK-UP RING KIT 3 PCS	
21	126486772	1	WATERSEALS 3 PCS	
22	126486780	1	KIT FOR BY-PASS	
23	106481878	3	SCREWED SEALING PLUG	[1]
24	3004221	3	O-RING 16X2 NITRIL 70 SHORE	
25	126486773	1	REP.KIT VALVE SYSTEM	
26	1814729	4	PLAST WASHER 6.2X13X2.1	[1]
27	2772	4	LOCK WASHER 6	
28	127500071	1	SCREW M6X70 DIN 912 4PCS	
29	126486792	2	FOAM SEAL FOR OUTLET & INLET	
30	126486787	1	CYLINDERHEAD	

Part Notes:

- [1] - STOCK COVERS GUARANTEE
- [2] - JP, 60Hz
NO LONGER AVAILABLE
- [3] - JP, 50Hz
NO LONGER AVAILABLE
- [4] - JP, 60Hz
STOCK COVERS GUARANTEE
- [5] - JP, 50Hz
STOCK COVERS GUARANTEE
- [6] - STOCK COVERS GUARANTEE PERIOD

