

# PARTS LIST

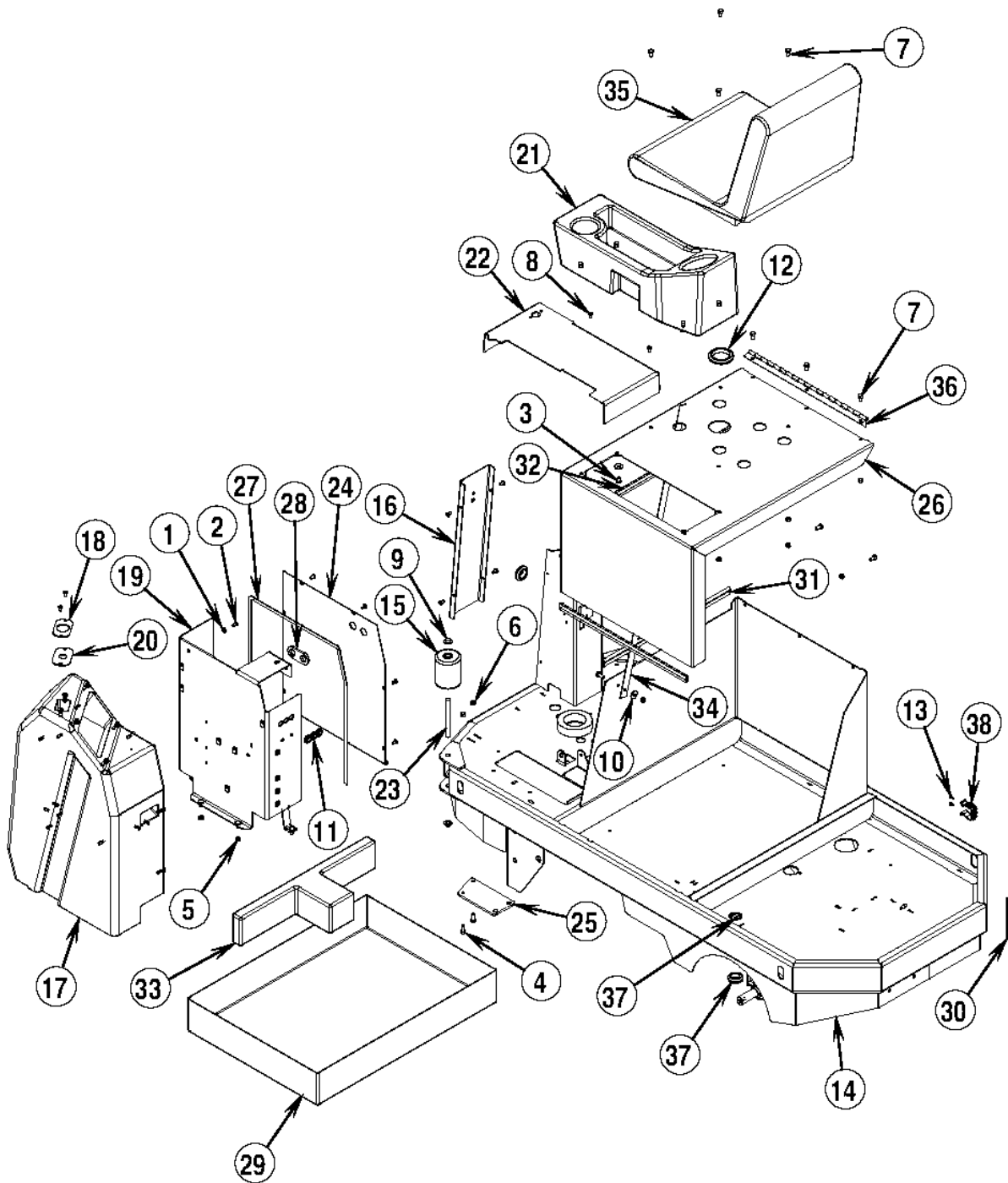


2017.12.06

# TABLE OF CONTENTS

---

CHASSIS SYSTEM.....	1
CONTROL SYSTEM.....	4
STEERING/TRONT WHEEL SYSTEM.....	6
DECAL SYSTEM.....	9
SCRUB SYSTEM LIFT (DISC).....	11
SCRUB SYSTEM LIFT (CYLINDRICALC).....	13
SCRUB SYSTEM DRIVE (DISC).....	15
SCRUB SYSTEM DRIVE (CYLINDRICALC).....	17
SCRUB DECK/SKIRTS (DISC).....	19
SCRUB DECK/SKIRTS (CYLINDRICAL).....	21
SOLUTION SYSTEM.....	23
RECOVERY SYSTEM.....	25
SQUEEGEE SYSTEM.....	27
SQUEEGEE ASSEMBLY.....	29
REAR WHEEL SYSTEM.....	31
ELECTRICAL SYSTEM.....	33
WIRING DIAGRAM (DISC).....	36
WIRING DIAGRAM (CYLINDRICAL).....	38
BRUSH HEAD EXTENSION KIT (DISC MODELS ONLY).....	40
56407242 - VACUUM WAND CADDY KIT.....	42
56407237 - BAECON KIT / HEADLIGHT KIT.....	44
56407235 BACKUP ALARM KIT.....	46
BRUSH /DISC SELECTOR.....	48
BRUSH SELECTOR.....	50
56407236 - Headlight Kit.....	52
56407450 - Overhead Guard Kit.....	54
56410467 / 56410468 - Squeegee Replacement Kit.....	56



Resource notes:

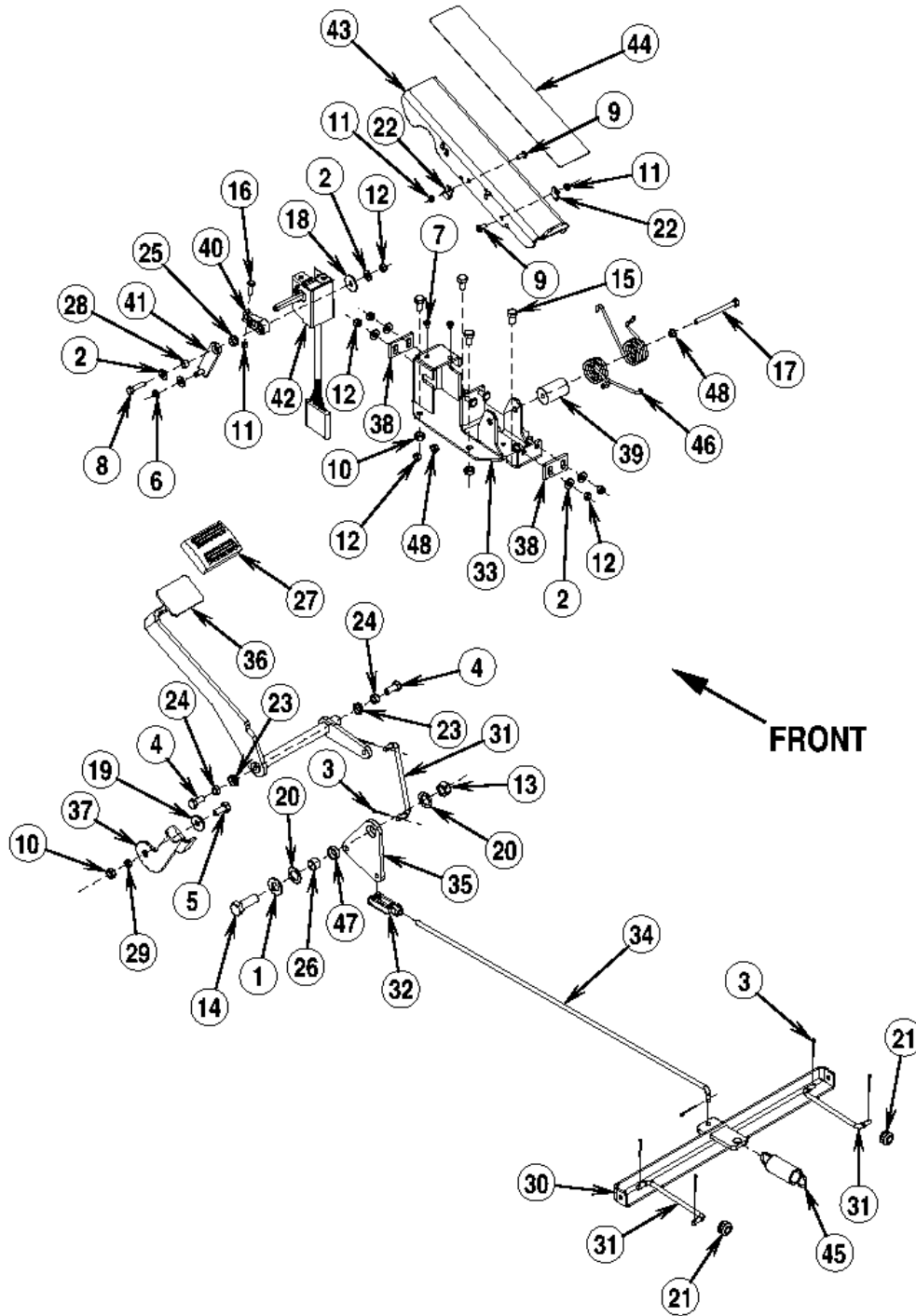
Note: Pos 0= Optional Accessories and Kits

Pos.	Numer Produktu	ilość	Opis	Notes
00	56407242	1	VACUUM WAND CADDY KIT 66	[1]
00	56407360	1	BLADE KIT-DISC GUM	[2]
00	56407316	1	NEOPRENE SCRUB DECK BLADE KIT	[2]
00	56407589	1	GUMY SSAWY KPL.	
00	56109306	1	SEAT BELT KIT	[3]
00	56407601	1	BLADE KIT-SQGEE RED GUM	
00	56407321	1	WHEEL ASSY SCRUBBER	[4]
00	56420143	1	ARMREST KIT	[5]
00	56407283	1	BRUSH HEAD EXTENSION KIT	[6]
00	56407520	1	BLADE KIT DISC GUM	[2]
00	56407236	1	HEADLIGHT KIT	[5]
00	56407235	1	BACK UP ALARM KIT	[5]
00	56407237	1	BEACON KIT	[5]
00	56407602	1	NEOPRENE SQUEEGEE BLADE KIT	[2]
01	56002098	7	WSH FLT SAE 1/4	
02	56002145	15	SCR PAN PHIL 1/4-20 X .50	
03	56002793	4	SCR PAN PHIL 5/16-18 X .75	
04	56003179	3	SCR HEX THD/HD M8-1.25X20MM	
05	56003352	4	NUT HEX M8	
06	56003389	13	NUT HEX NYL-LOC M8X1.25	
07	56003178	10	SCR HEX THD TO HD M8-1.25X16MM	
08	56009126	6	SCR PANPHILTHD FORM 1/4-20X.75	
09	56009097	4	NAKRETKA 1/2	
10	56009122	2	WSH FLT .344X.938X.125	
11	56157376	3	GROMMET 1 OD X 9/16 ID X 5/	
12	56262531	1	GROMMET E00059	
13	56009082	2	SCR PANPHILTHD FORMBLK10-24X.5	
14	56407001	1	CHASSIS WLDMT. PAINT	
15	56407006	2	ROLKA ODOJOWA	
16	56407070	1	COVER LOWER COLUMN	[2]
17	56407087	1	CONTROL BOX	[2]
18	56407098	1	GASKET	[7]
19	56407100	1	PANEL ELECTRICAL	[2]
20	56407104	1	MOUNT DISCONNECT	[2]
21	56407132	1	CUP HOLDER	[2]
22	56407143	1	PLATE FLOOR	[2]
23	56407145	2	ROD PIVOT	[2]
24	56407156	1	COVER PANEL	[2]
25	56407157	1	PLATE SPRING MOUNT	[2]
26	56407161	1	COVER BATTERY	[2]
27	56109533	1	COVER ELECTRICAL	[2]
28	56407193	1	GASKET	
29	56407271	1	BATTERY TRAY	
30	56407280	1	TRIM EDGE	[2]
31	56407284	21	GASKET	[2]
32	56407285	28	GASKET	[2]
33	56383496	1	SPACER-BATTERY-TEE	
34	56407374	1	STRAP	[2]
35	56109295	1	SEAT KIT	[2]
35	56420143	1	ARMREST KIT	[5]
35	56109306	1	SEAT BELT KIT	[3]
36	56420103	1	HINGE	[2]
37	56486116	3	GROMMET E00059	
38	56407361	1	UCHWYT WEŻA	

## Part Notes:

- [1] - Expired 12/13  
 [2] - GUARANTEE DATE EXPIRED

- [3] - SEE TSB-FC-2015-040  
TSB-FC-2015-040 Replacement Parts
- [4] - EXPIRED ON 3/25/2009
- [5] - ACC. FOR OBSOLETE MACHINE
- [6] - EXPIRED ON 6/15/2009
- [7] - EXPIRED ON 1/19/2011



FORM NO. 56042340

Resource notes:

Pos.	Numer Produktu	ilość	Opis	Notes
01	56001879	1	WSH FLT SAE 1/2	
02	56002098	7	WSH FLT SAE 1/4	
03	56002038	7	PIN COT .09 X 1.00	
04	56002956	2	SCR HEX LOC 5/16-18 X .75	
05	56003179	1	SCR HEX THD/HD M8-1.25X20MM	
06	56003268	1	RING RET EXT TYPE E REINF	
07	56003479	2	SCR PAN PHIL M5-0.8X6MM	[1]
08	56003358	1	SCR HEX M6 X 25.0	
09	56003377	2	SCR PAN PHIL M5X12MM	
10	56003389	5	NUT HEX NYL-LOC M8X1.25	
11	56003402	3	NUT HEX NYL LOC M5 X 0.80	
12	56003403	6	NUT HEX NYL LOC M6 X 1.00	
13	56003312	1	NAKRETKA NYL M12-1.75	
14	56003415	1	SCR HEX THD TO HDM12-1.75X35MM	
15	56003423	4		
16	56003427	1	SCR HEX M5-0.80 X 20MM	
17	56003428	1	SCR HEX M6-1.00 X 75MM	
18	56009060	1	WSH FLT SS .260X1.000X.074	
19	56009122	1	WSH FLT .344X.938X.125	
20	56151858	2	BEARING THRUST .635G53A E00203	[1]
21	56168744	2	GROMMET .500 E00059	
22	56220507	2	CLAMP CABLE .187 E00129	
23	56302164	2	NYLON BEARING	
24	56320595	2	BUSHING .31X.50X.28HC18M	
25	56324505	1	BEARING FLANGE.376E00201	
26	56360627	1	TULEJA .50X.62X.41CT32G	
27	56365002	1	PAD RUBBER	
28	56368989	1	BUSHING .25X.37X.30CV82G	
29	56381818	1	BUSHING .32X.44X.14	
30	56407091	1	ARM WELDMENT	[2]
31	56407095	3	LINK BRAKE	[1]
32	56407133	1	YOKE CLEVIS	
33	56407142	1	PEDAL MOUNT WELDMENT	[3]
34	56407144	1	ROD BRAKE	[1]
35	56407146	1	BELLCRANK	[1]
36	56407150	1	BRAKE PEDAL WELDMENT	[4]
37	56407173	1	LATCH PARK BRAKE	[1]
38	56409377	2	PLATE SLIDE	[1]
39	56409378	1	SPACER NYLON	
40	56409471	1	DŹWIGNIA OSI POTENCJOMETRU	
41	56409610	1	LINK WLDMT.	
42	56416169	1	THROTTLE ELECTRONIC	[1]
43	56420108	1	PEDAL WELDMENT	[1]
44	56449958	1	PEDAL MAT CV696C	[1]
45	56467404	1	SPRING EXT.	[5]
46	56468243	2	SPRING IDLER	[1]
47	56478781	1	BEARING SLEEVE .627RE450CE0202	[3]
48	56756318	2	BEARING FLANGE .250 E00201	

## Part Notes:

- [1] - GUARANTEE DATE EXPIRED
- [2] - GUARANTEE STILL RUNNING
- [3] - STOCK COVERS GUARANTEE
- [4] - EXPIRED ON 5/15/2012
- [5] - TSB680





## STEERING/TRONT WHEEL SYSTEM

BR 850

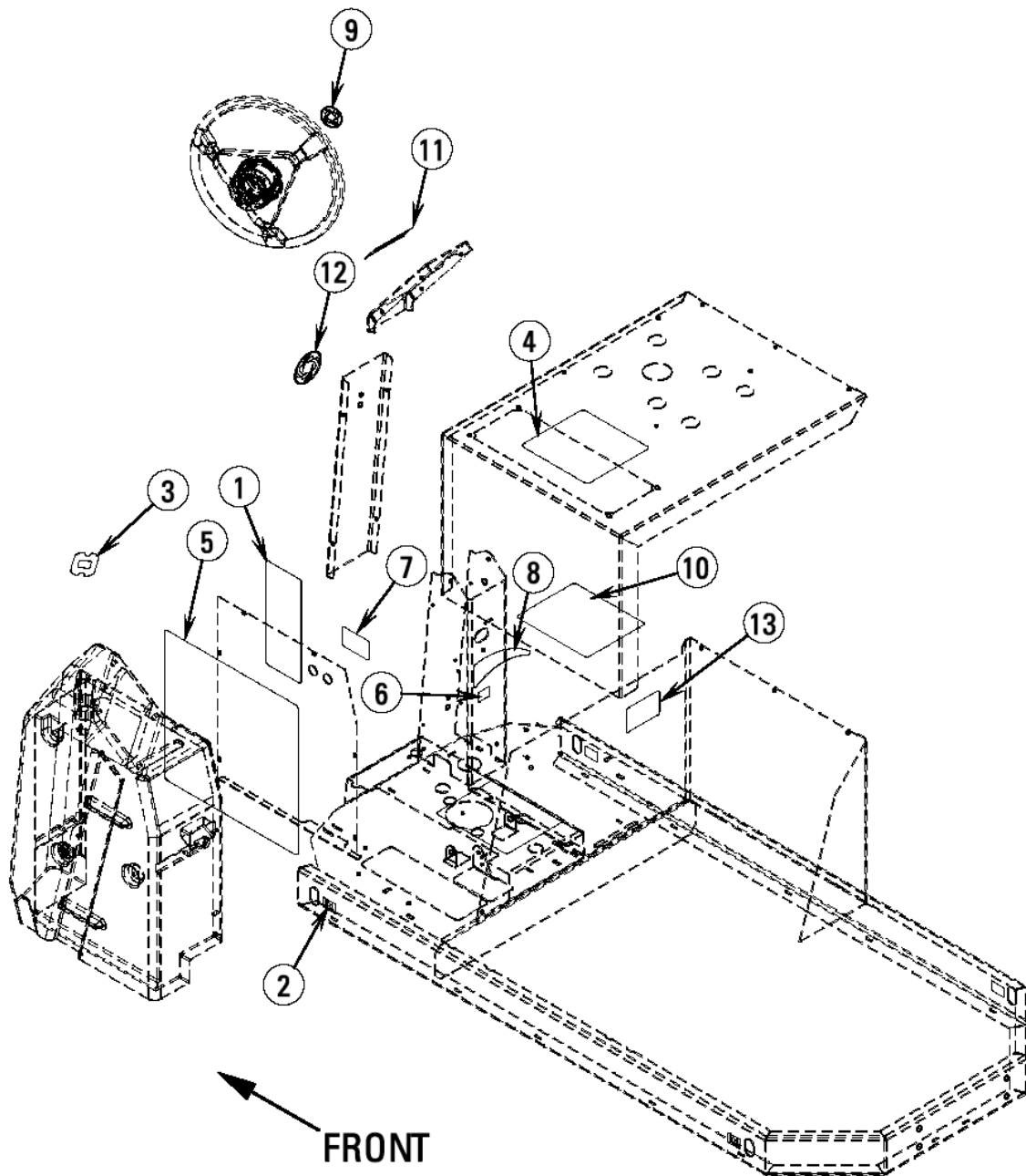
2017.11.02

2013.04.02

Pos.	Numer Produktu	ilość	Opis	Notes
01	56001879	1	WSH FLT SAE 1/2	
02	56001939	3	WSH FLT SAE 5/16	
03	56001958	2	SCR SOC SET LOC 3/8-16 X .50	
04	56002086	1	SCR SOC SET LOC 5/16-18 X .25	
05	56002181	1	ZAWLECZKA .12 X1.50	
06	56002843	1	NUT HEX NYL LOC-THIN 1/2-13	
07	56002930	2	ŚRUBA 1/4 20 X 0.38	
08	56003179	2	SCR HEX THD/HD M8-1.25X20MM	
09	56003228	4	KLIN WDF 606	
10	56002228	1	WSH FLT SAE 7/8	
11	56003389	3	NUT HEX NYL-LOC M8X1.25	
12	56003398	1	SCR HEX M8X1.25X60MM	
13	56003445	4	SCR HEX NYL LOC M10-1.50X45MM	
14	56009022	1	Podkładka	
15	56009126	4	SCR PANPHILTHD FORM 1/4-20X.75	
16	56009122	1	WSH FLT .344X.938X.125	
17	56110817	1	NUT CAS .875-14 THNE9A	
18	56250414	2	TULEJA ŚLIZGOWA 752FA1J	
19	56302164	2	NYLON BEARING	
20	56320595	2	BUSHING .31X.50X.28HC18M	
21	56367095	1	TULEJA DYSTANSOWA	
22	56407379	1	BRUSH SET QTY 4 PER	[1]
22	56407488	1	WHEEL DRIVE SCRUBBER	[2]
22	56407377	1	OIL SEAL	[1]
22	56407010	1	MOTOR/WHEEL ASSEMBLY	[1]
22	56407380	1	SEAL KIT	[1]
22	56407378	1	FRONT WHEEL MOTOR	[1]
23	56407013	1	SPINDLE WLDMT.	[3]
24	56407067	1	SHAFT LOWER STEERING	[4]
25	56407075	1	PLATE STEERING	[1]
26	56407129	1	SPLASH GUARD	[1]
27	56407205	1	CHAIN ROLLER	[5]
28	56420059	1	UPPER STEERING SHAFT	
29	56420061	1	STEERING COLUMN	[1]
30	56420062	1	LATCH ASSEMBLY	
31	56420063	1	UPPER COLUMN COVER	[1]
32	56366633	2	BEARING SLEEVE .501CV26HE00202	[1]
32	56454079	1	SPROCKET AY 40B11	
32	56101737	1	FITTING LUBE 1/4-28	
33	56454081	1	U-JOINT	
34	56471148	1	ZĘBATKA KOL.KIEROWNICY H40B11	
35	56483135	1	KOLPAK	
36	56492697	1	BEARING CUP E00135	
37	56492699	1	BEARING CONE E00134	
38	56492700	1	BEARING CONE E00134	
39	56492702	1	BEARING CUP E00135	
40	56493191	1	USZCZELNIACZ	
41	56497241	1	BUSHING	
42	56497306	1	STEERING WHEEL	
43	56497308	1	POKRYWA	
44	56497311	1	BUSHING FLG.	
45	56497543	1	CAP	
46	56497560	1	ADAPTER	
47	56496276	1	CLAMP HOSE SUPPORT	
48	56001954	1	WSH FLT SAE 10	
49	56100393	1	BUSHING	
50	56009051	2	SCR PAN PHIL THD FORM 8-32X.38	[6]

Part Notes:

- [1] - GUARANTEE DATE EXPIRED
- [2] - PRUNED ACCESSORIES
- [3] - EXPIRED NO REPLACEMENT
- [4] - STOCK COVERS GUARANTEE PE
- [5] - STOCK COVERS GUARANTEE
- [6] - EXPIRED USE 56002523

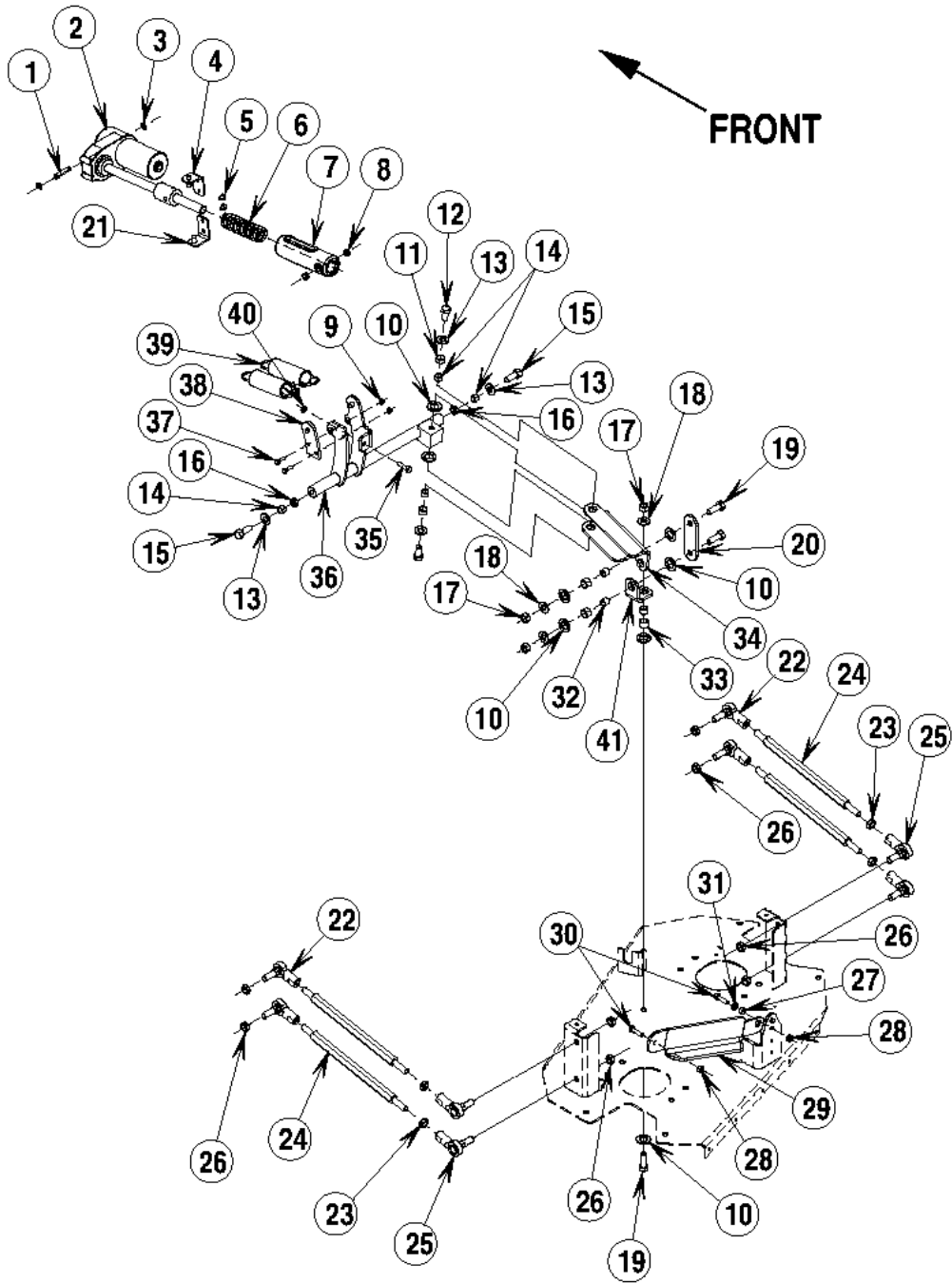


Resource notes:

Pos.	Numer Produktu	ilość	Opis	Notes
01	56014601	1	DECAL CAUTION	
02	56015370	4	DECAL TIE DOWN	
03	56016146	1	DECAL EMERGENCY DISC.	
04	56016165	1	DECAL BATTERY WIRING	[1]
05	56016205	1	DECAL ELECTRICAL	[2]
05	56016246	1	DECAL ELECTRICAL	[2]
06	56016324	1	DECAL 36 VOLT CR398K	
07	56016341	1	DECAL CIRCUIT BREAKER	[1]
08	56016342	1	DECAL FLOW RATE	[2]
09	56016421	1	DECAL LOGO	
10	56420057	2	GRIP SURFACE	[2]
11	56016624	1	DECAL BR850	[3]
11	56016625	1	DECAL HR3200	[3]
12	56016348	1	DECAL LOGO	
13	56016204	1	DECAL, WEAR ITEMS 3200B	

## Part Notes:

- [1] - EXPIRED NO REPLACEMENT
- [2] - GUARANTEE DATE EXPIRED
- [3] - EXPIRED ON 9/11/2008

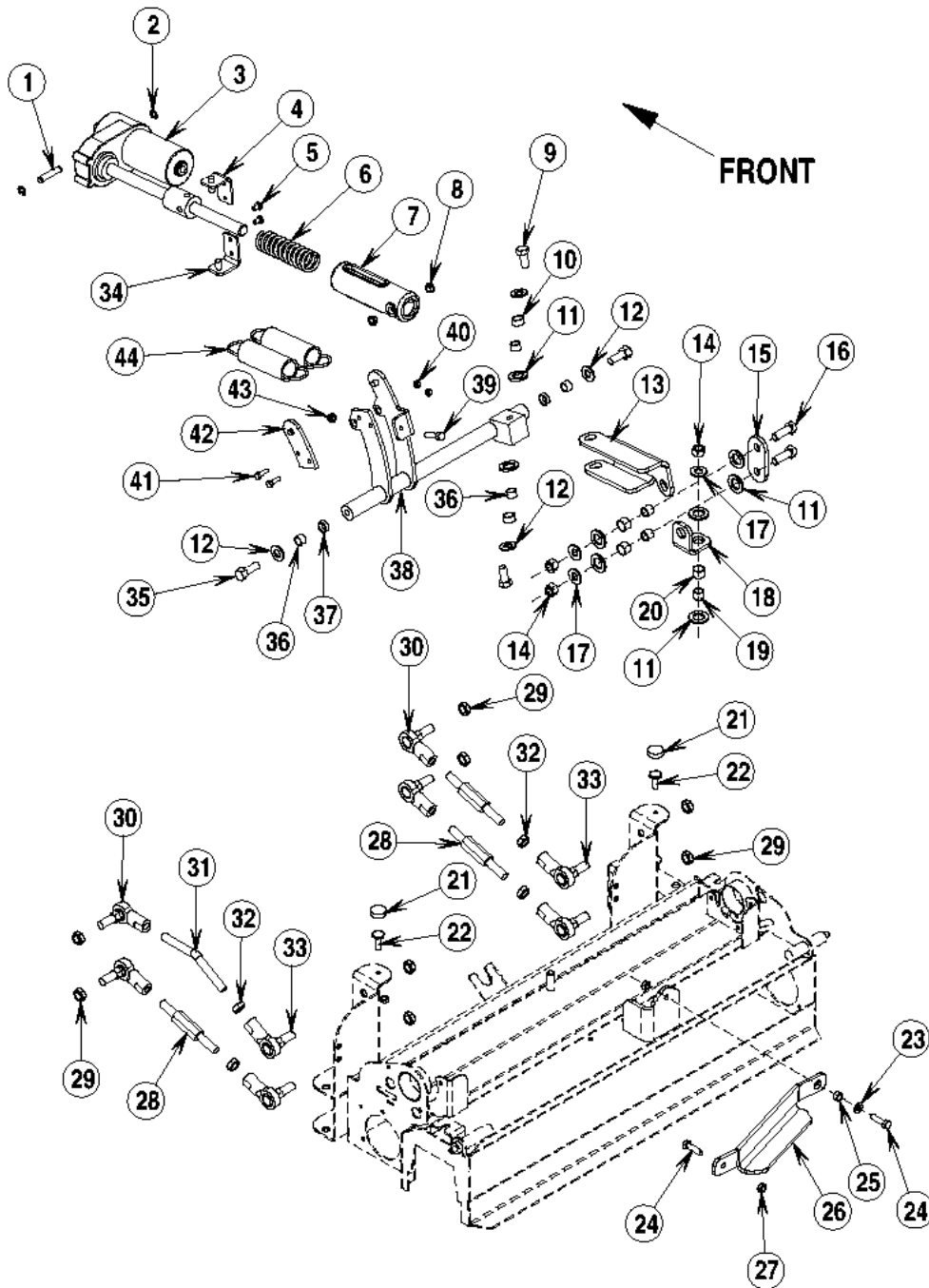


FORM NO. 56042340  
Resource notes:

Pos.	Numer Produktu	ilość	Opis	Notes
01	56104760	1	PIN C15J	
02	56391627	1	SIŁOWNIK 36V	
03	56003262	2	PIERŚCIEŃ TYP E	
04	56420020	1	NUT RETAINER WLMT.	
05	56009019	2	SCR HEX THD FORM 1/4-20X .38	
06	56407199	1	COMPRESSION SPRING	
07	56407106	1	SPRING HSG. ACTUATOR	[1]
08	56324505	2	BEARING FLANGE.376E00201	
09	56003426	2	NUT HEX NYL LOC SS M6	
10	56367184	8	BEARING THRUST .753CV32FE00203	[1]
11	56370878	2	ŁOŻYSKO SLIZGOWE .627CV213FE0202	
12	56003020	2	SCR HEX M12-1.25 X 25 MM	[1]
13	56001879	4	WSH FLT SAE 1/2	
14	56360627	4	TULEJA .50X.62X.41CT32G	
15	56003478	2	SCR HX NYLOC M12-1.25 X 30MM	[1]
16	56478781	2	BEARING SLEEVE .627RE450CE0202	[2]
17	56003450	3	NUT HX NYL LOC SS M12-1.75	
18	56002918	3	WSH FLT SAE SS 1/2	
19	56003453	3	SCR HEX SS M12-1.75 X 35MM	
20	56407111	1	VERTICAL LIFT BAR	[3]
21	56420019	1	NUT RETAINER WLMT.	
22	56409405	4	BALL JOINT	
23	56002773	4	NAKRETKA NYL 1/2-20	
24	56407049	4	CONNECTING ROD	[1]
25	56477813	4	BALL JOINT	
26	56002773	8	NAKRETKA NYL 1/2-20	
27	56232181	1	BUSHING .37X.56X.31FC218J	
28	56003389	2	NUT HEX NYL-LOC M8X1.25	
29	56407206	1	ARM	[1]
30	56003416	2	SCR HEX M8-1.25 X 30MM	
31	56001939	1	WSH FLT SAE 5/16	
32	56367206	3	TULEJA CV32G	
33	56367168	3	BEARING SLEEVE .627CV32DE00202	[1]
34	56407036	1	LIFT ARM	[4]
35	56002368	1	SCR HEX THD/HD 5/16-18 X 1.75	[1]
36	56407040	1	PIVOT ARM WELDMENT	[5]
37	56003443	2	PHIL PAN M6-1.00X20MM	
38	56407048	1	ACTUATOR PLATE WLMT.	[6]
39	56376880	2	SPRING EXTENSION	[7]
40	56009086	1	NUT HEX JAM 5/16-18	
41	56407112	1	SWIVEL BRACKET	[1]

Part Notes:

- [1] - GUARANTEE DATE EXPIRED
- [2] - STOCK COVERS GUARANTEE
- [3] - EXPIRED 4/7/2007
- [4] - EXPIRED ON 9/14/2011
- [5] - EXPIRED ON 12/01/2011
- [6] - EXPIRED ON 5/15/2012
- [7] - GUARANTEE STILL RUNNING



FORM NO. 56042340  
Resource notes:

# SCRUB SYSTEM LIFT (CYLINDRICALC)

BR 850

2017.11.02

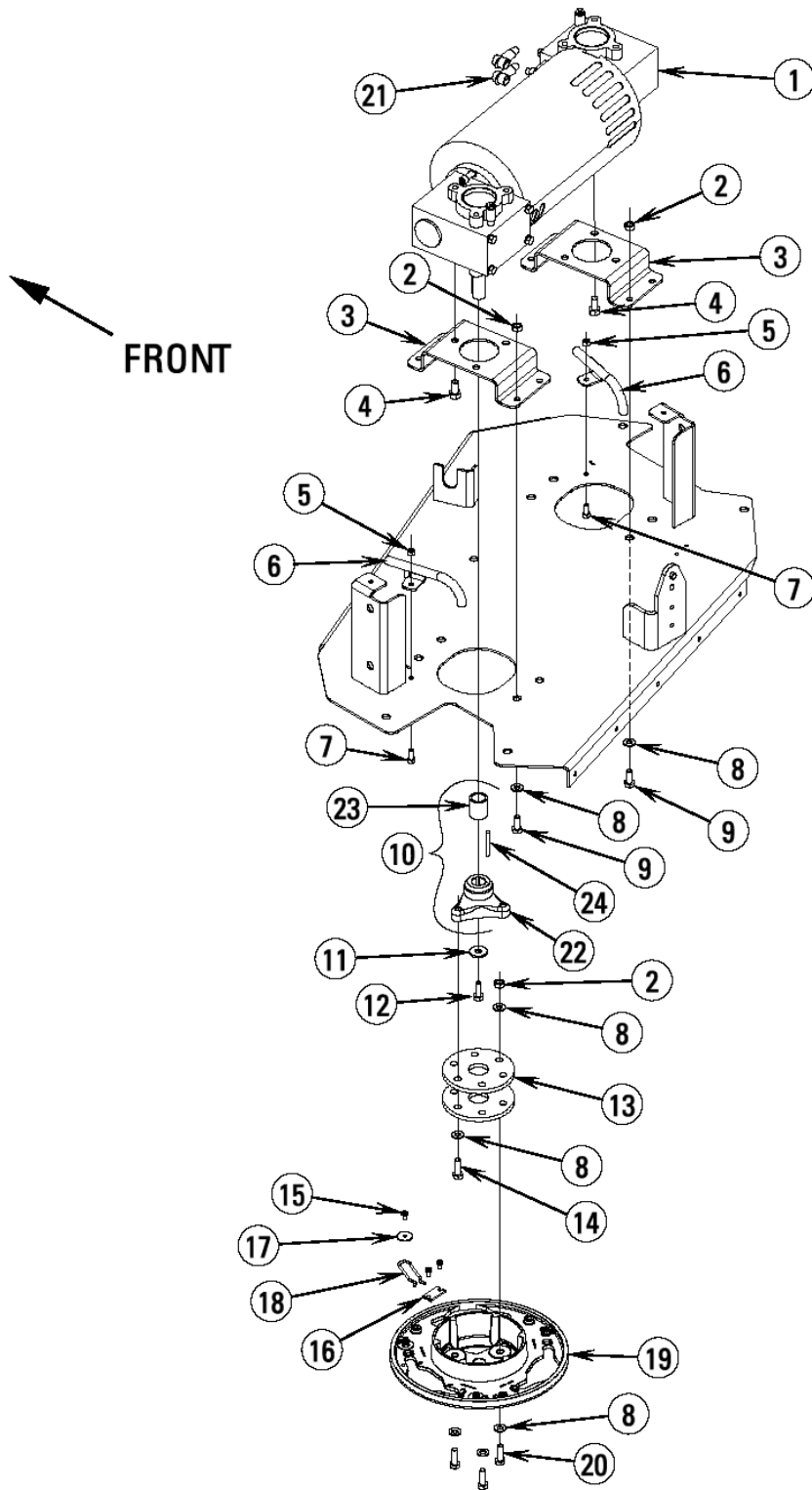
2013.04.02

Pos.	Numer Produktu	ilość	Opis	Notes
01	56104760	1	PIN C15J	
02	56003262	2	PIERŚCIEN TYP E	
03	56470431	1	BRUSH KIT MOTOR	[1]
03	56391627	1	SIŁOWNIK 36V	
03	56388520	1	NAKRETKA SIŁOWNIKA PLASTIK	
04	56420020	1	NUT RETAINER WLMT.	
05	56009019	2	SCR HEX THD FORM 1/4-20X .38	
06	56407199	1	COMPRESSION SPRING	
07	56407106	1	SPRING HSG. ACTUATOR	[2]
08	56324505	2	BEARING FLANGE.376E00201	
09	56003020	2	SCR HEX M12-1.25 X 25 MM	[2]
10	56370878	2	ŁOŻYSKO SLIZGOWE .627CV213FE0202	
11	56367184	8	BEARING THRUST .753CV32FE00203	[2]
12	56001879	4	WSH FLT SAE 1/2	
13	56407036	1	LIFT ARM	[3]
14	56003450	3	NUT HX NYL LOC SS M12-1.75	
15	56407407	1	VERTICAL LIFT BAR DECK	[2]
16	56003453	2	SCR HEX SS M12-1.75 X 35MM	
17	56002918	3	WSH FLT SAE SS 1/2	
18	56407112	1	SWIVEL BRACKET	[2]
19	56367206	3	TULEJA CV32G	
20	56367168	3	BEARING SLEEVE .627CV32DE00202	[2]
21	56401783	2	ŚRUBA POZIOMUJĄCA CR630G	
22	56401783	2	ŚRUBA POZIOMUJĄCA CR630G	
23	56001939	1	WSH FLT SAE 5/16	
24	56003416	2	SCR HEX M8-1.25 X 30MM	
25	56232181	1	BUSHING .37X.56X.31FC218J	
26	56407371	1	ARM	[2]
27	56003389	2	NUT HEX NYL-LOC M8X1.25	
28	56407369	3	CONNECTING ROD	[2]
29	56002773	8	NAKRETKA NYL 1/2-20	
30	56409405	4	BALL JOINT	
31	56407372	1	ROD	[4]
32	56002773	4	NAKRETKA NYL 1/2-20	
33	56477813	4	BALL JOINT	
34	56420019	1	NUT RETAINER WLMT.	
35	56003478	2	SCR HX NYLOC M12-1.25 X 30MM	[2]
36	56360627	4	TULEJA .50X.62X.41CT32G	
37	56478781	2	BEARING SLEEVE .627RE450CE0202	[5]
38	56407040	1	PIVOT ARM WELDMENT	[6]
39	56002368	1	SCR HEX THD/HD 5/16-18 X 1.75	[2]
40	56003426	2	NUT HEX NYL LOC SS M6	
41	56003443	2	PHIL PAN M6-1.00X20MM	
42	56407048	1	ACTUATOR PLATE WLMT.	[7]
43	56009086	3	NUT HEX JAM 5/16-18	
44	56376880	2	SPRING EXTENSION	[8]

## Part Notes:

- [1] - EXPIRED 1/4/2008
- [2] - GUARANTEE DATE EXPIRED
- [3] - EXPIRED ON 9/14/2011
- [4] - STOCK COVERS GUARANTEE PE
- [5] - STOCK COVERS GUARANTEE
- [6] - EXPIRED ON 12/01/2011
- [7] - EXPIRED ON 5/15/2012
- [8] - GUARANTEE STILL RUNNING





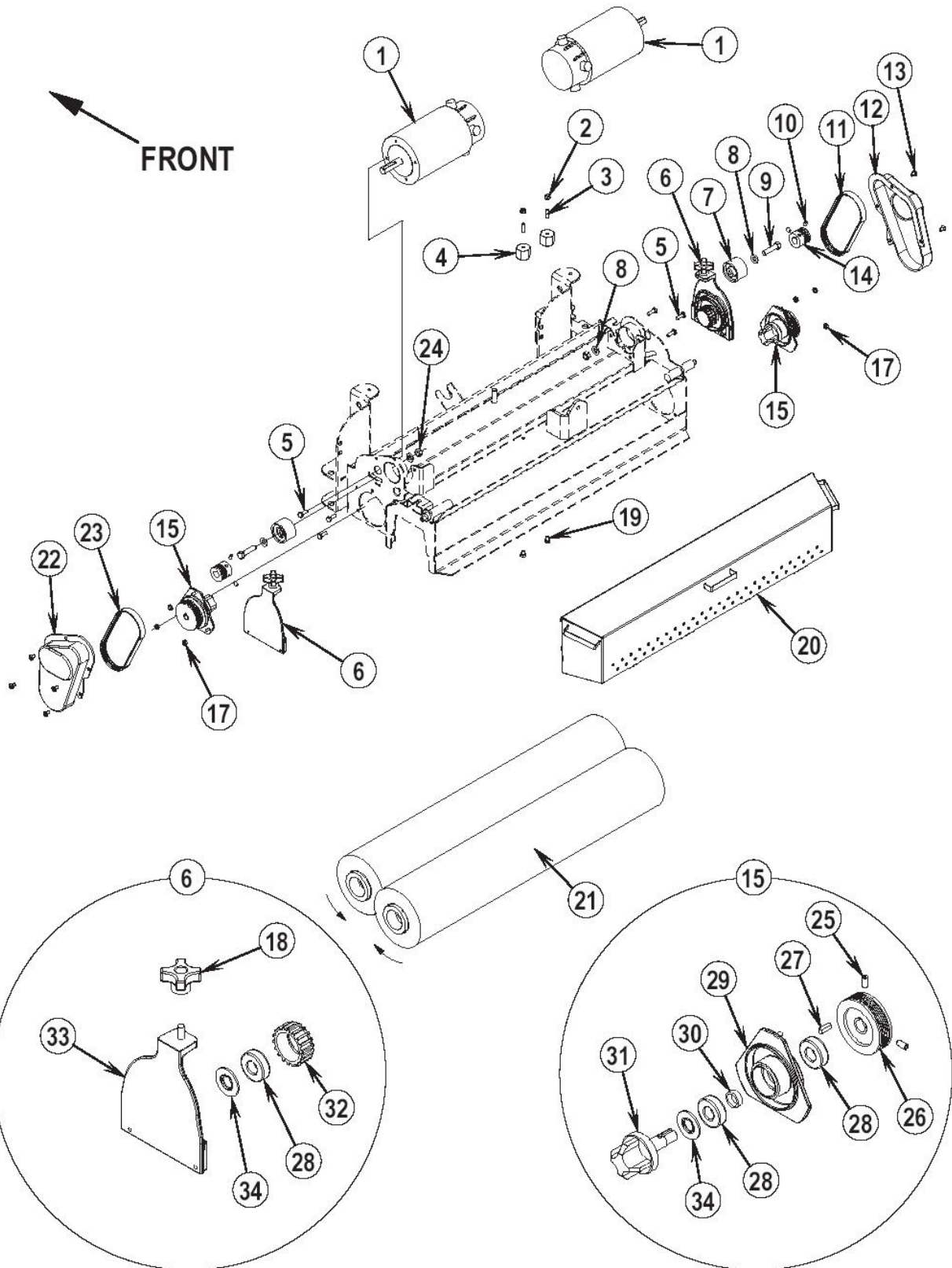
Resource notes:

NOTE: Apply Loctite #242 prior to assembly.

Pos.	Numer Produktu	ilość	Opis	Notes
00	56505784	2	"SZCZOTKA -17"" PROLENE 3 UCHWYTY"	
00	56505786	2	SZCZOTKA 17" 430MM	
00	56505780	2	"TRZYMAK PAD -17"" 3 UCHWYTY"	
00	56505788	2	Szczotka	
00	56505782	2	SZCZOTKA DYSKOWA-17 DYNAGRIT 3 LUG	
00	56505781	2	SZCZOTKA DYSKOWA-17 MAGNAGRIT 3 LUG	
00	56505787	2	Szczotka Midgrit	
00	56505785	2	"SZCZOTKA -17"" PROLITE 3 UCHWYTY"	
00	56505783	2	SZCZOTKA DYSKOWA-17 AGLITE 3 LUG	
01	56407197	1	GEARBOX ASSEMBLY	[1]
01	56407192	1	MOTOR	[1]
01	56407500	1	SZCZOTKI WĘGLOWE KPL.	
01	56389395	1	BRUSH SPRING/SET 4	
01	56412266	1	BRUSH BOARD ASSY	
01	56407196	2	PRZEKŁADNIA KĄTOWA	
02	56003405	14	NUT HEX NYL LOC SS M8X1.25	
03	56407198	2	MOUNT BRACKET	[1]
04	56002885	6	ŚRUBA SS 3/8-16 X 0.75	
05	56003426	2	NUT HEX NYL LOC SS M6	
06	56407055	2	TUBE WELDMENT	[1]
07	56003431	2	SCR HEX SS M6-1.00X16MM	
08	56002938	26	WSH FLT SAE SS 5/16	
09	56003435	8	SCR HEX SS M8-1.25X20MM	
10	56314156	2	HUB REPLACEMENT KIT	
11	56009107	2	WSH FLT SS .378/.373X1.00X.075	
12	56003335	2	ŚRUBA SS 5/16-18 X 0.88	
13	56407053	4	SPRZĘGŁO ELASTYCZNE	[2]
14	56003477	6	ŚRUBA SS M8-1.25 X 25MM	
15	56009030	6	SCR PAN PHIL THD FOM 10-24X.38	
16	56366455	2	PLYTKA MOCUJĄCA CV24B	
17	56009096	2	WSH FLT .193X.875X.060	
18	56366463	2	SPREŻYNA UCHWYTU SZCZOTKI CV24C	
19	56314030	2	UCHWYT SZCZOTKI TALERZOWEJ	
20	56003436	6	SCR HEX SS M8-1.25X25MM	
21	56409538	2	TERMINAL INSULATOR	
22	56314108	2	PIASTA UCHWYTU SZCZOTKI	
23	56314109	2	SPACER	
24	56003670	2	KLIN 19 X 1.62	[1]

Part Notes:

- [1] - GUARANTEE DATE EXPIRED
- [2] - EXPIRED USE 56383238



Resource notes:

# SCRUB SYSTEM DRIVE (CYLINDRICALC)

BR 850

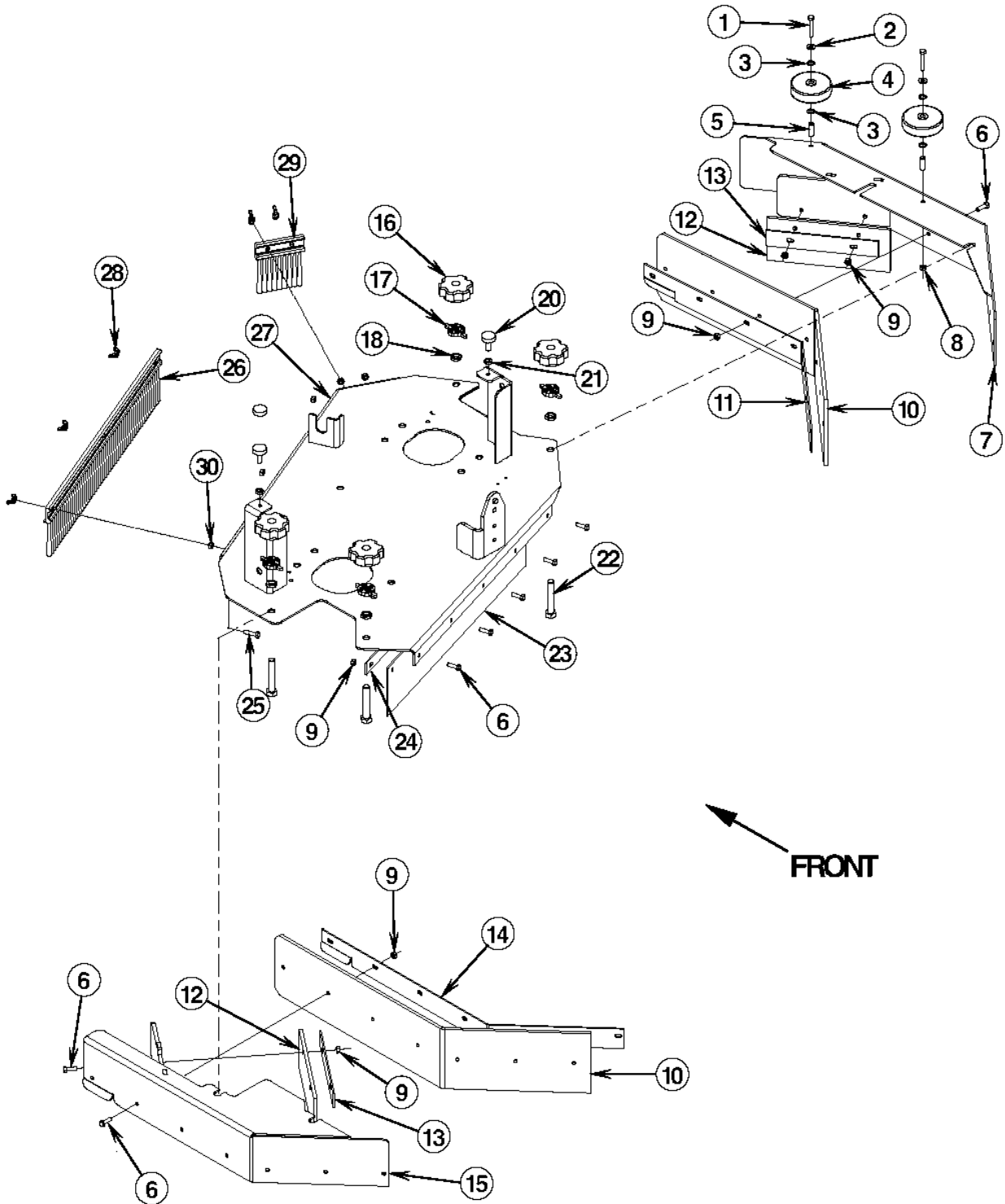
2017.11.02

2017.01.04

Pos.	Numer Produktu	ilość	Opis	Notes
00	56407478	2	BRUSH 46 GRIT 32-ORANGE/BROWN	
00	56410294	2	SZCZOTKA MIĘKKA NYLONOWA 38-ŻÓŁTA	
00	56410298	2	SZCZOTKA 46 ŚCIERNA 38-POMARAŃCZ/BRAZ	
00	56407473	2	BRUSH SOFT NYLON 32-YELLOW	
00	56410296	2	SZCZOTKA 180 ŚCIERNA 38-NIEBIESKI/SZARY	
00	56407476	2	BRUSH 180 GRIT 32-BLUE/GREY	
00	56407474	2	BRUSH HARD NYLON 32-NATURAL	
00	56410297	2	SZCZOTKA 80 ŚCIERNA 38 CZARNA	
00	56410295	2	SZCZOTKA TWARDA NYLONOWA 38-NATURALNA	
00	56410293	2	SZCZOTKA POLIPROPYLENOWA 38-CZERWONA	
00	56407477	2	BRUSH 80 GRIT 32-BLACK	
1	56407431	2	MOTOR 36VDC .75HP	
1	56410183	1	BEARING F.E.	
1	56417489	1	ARMATURE	
1	56407492	1	BRUSH CAP ASSY	[1]
1	56407493	4	SZCZOTKA WĘGLOWA	
1	56314254	1	HARNASS BRUSH MOTOR	
1	56407494	4	BRUSH COVER CAP	[1]
2	56002708	2	NUT HEX NYL LOC 1/4-20	
3	56009020	2	STUD 1/4-20 X .88	
4	56469858	2	ELECTRICAL MOUNT	
5	56002948	6	SCR HEX LOC-1/4-20 X 0.75	
6	56314445	2	IDLER END ASSEMBLY	[2]
7	56407432	2	IDLER BELT	
8	56002063	4	WSH FLT SAE 3/8	
9	56003491	2	SCR HEX M10-1.50X 40MM	
10	56002086	4	SCR SOC SET LOC 5/16-18 X .25	
11	56407466	1	BELT POLY V 190J6	
12	56407434	1	GUARD RIGHT BELT	
13	56003603	8	SCR PAN PHILTHDFORM 1/4-20X.38	
14	56407433	2	SHEAVE POLY-V	
15	56407559	2	DRIVE END ASSY	
17	56003426	6	NUT HEX NYL LOC SS M6	
18	56407303	2	POKRĘTŁO REGULACYJNE	
19	56001861	2	SCR HEX 1/4-20 X .38	
20	56407430	1	HOPPER WELDT	
20	56410274	1	HOPPER WELDMENT 3800	[3]
21	56407475	2	BRUSH POLYPROPYLENE 32-RED	
22	56407435	1	GUARD LEFT BELT	
23	56407465	1	BELT POLY V 180J6	
24	56003406	2	NUT HEX NYL LOC M10 X 1.50	
25	56002119	4	SCR SOC SET LOC 1/4 20 X .50	
26	56407442	2	SHEAVE POLY-V	
27	56003237	2	KEY SQ .19 X .62	
28	56106070	6	ŁOŻYSKO Z22	
29	56381765	2	BEARING PLATE	
30	56407389	2	SPACER	
31	56109527	2	SPINDLE-SHORT	
32	56407551	2	PIASTA	[4]
33	56315447	2	IDLER BEARING PLATE	
34	56407558	4	WASHER BEARING	

**Part Notes:**

- [1] - SEE TSB-FC-2015-040  
TSB-FC-2015-040 Replacement Parts
- [2] - EXPIRED USE 56115344
- [3] - GUARANTEE DATE EXPIRED
- [4] - EXPIRED USE 56115273

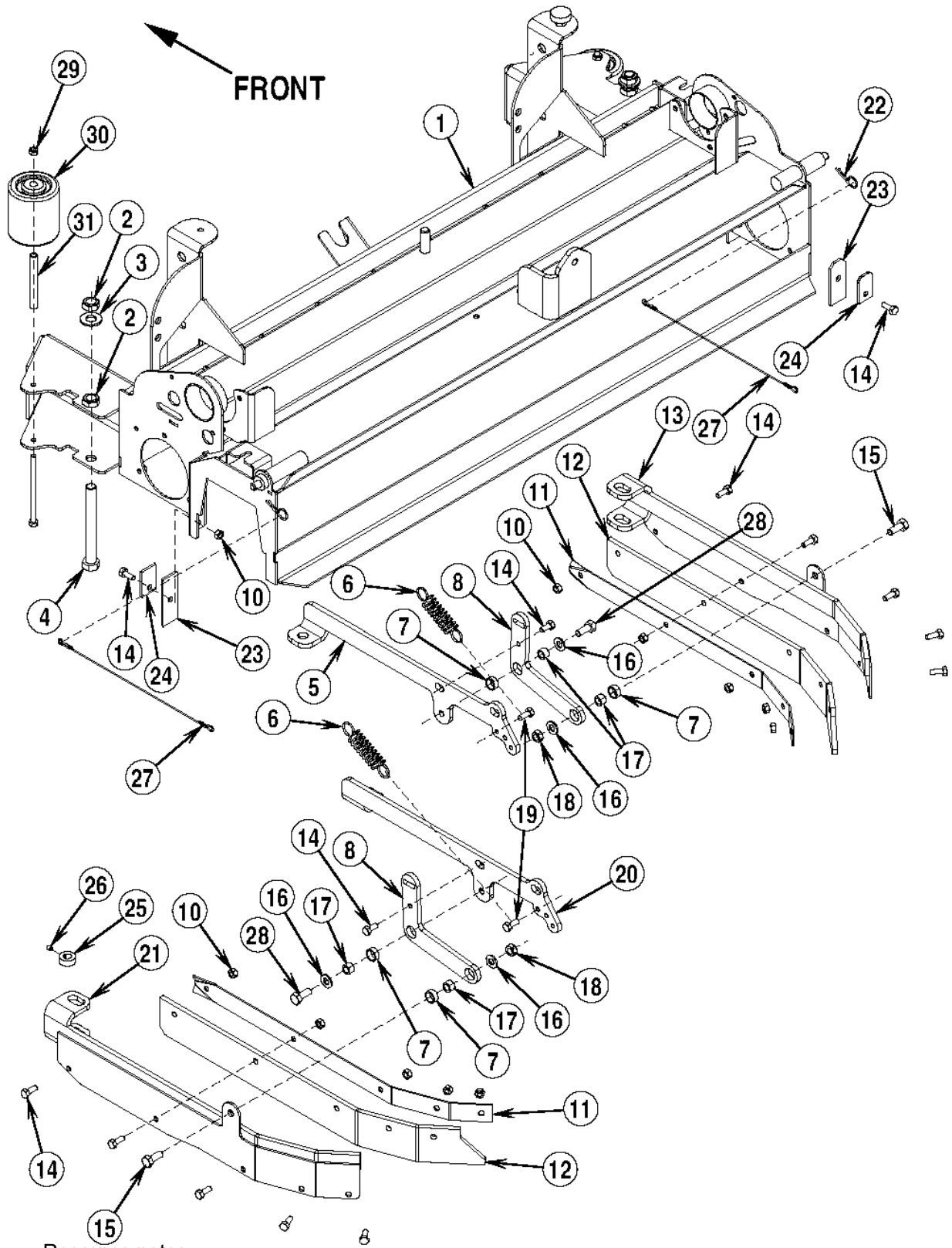


Resource notes:

Pos.	Numer Produktu	ilość	Opis	Notes
	56407123	1	RIGHT SKIRT ASSY.	[1]
	56407124	1	LEFT SKIRT ASSY.	[2]
00	56407520	1	BLADE KIT DISC GUM	[1]
00	56407360	1	BLADE KIT-DISC GUM	[1]
00	56407316	1	NEOPRENE SCRUB DECK BLADE KIT	[1]
01	56003167	2	SCR HEX M6-1.0 X 40MM	
02	56002098	2	WSH FLT SAE 1/4	
03	56009045	4	WSH BOW-.390X.55X.075-.006 THK	
04	56324499	2	KOŁO 3.00X.781 HC315	
05	56471220	2	BUSHING .25X.37X1.0RE185L	
06	56003454	29	SCR HEX THD TO HD SS M6-1X20MM	
07	56407188	1	SKIRT WELDMENT RIGHT	[1]
08	56003403	2	NUT HEX NYL LOC M6 X 1.00	
09	56003426	29	NUT HEX NYL LOC SS M6	
10	56407122	2	Fartuch ochronny	
10	56407208	2	BLADE DECK NEOPRENE	[3]
11	56407120	1	STRAP RIGHT	[1]
12	56407207	2	BLADE DECK NEOPRENE	[1]
12	56407184	2	BLADE DECK GUM	
13	56407185	2	STRAP	[1]
14	56407121	1	STRAP LEFT	[4]
15	56407187	1	SKIRT WELDMENT LEFT	[1]
16	56380149	4	POKREŃŁO M12-1.75 THRU	
17	56601578	4	POKREŃŁO REGULACYJNE	
18	56009258	4	NUT HEX JAM M12-1.75	
20	56401783	2	ŚRUBA POZIOMUJĄCA CR630G	
21	56009086	2	NUT HEX JAM 5/16-18	
22	56003448	4	SCR HEX THD TO HD M12-1.75X70M	
23	56407125	1	BLADE DECK GUM	[3]
23	56407209	1	BLADE DECK NEOPRENE RR	[1]
24	56407127	1	STRAP	[1]
25	56002883	5	SCR HEX SS 1/4-20 X 1.00	
26	56407212	1	BLADE DECK NEOPRENE FR	[5]
26	56407126	1	BLADE DECK GUM	[1]
26	56407509	1	SKIRT BRISTLE DECK LONG	[1]
26	56407131	1	STRAP	[1]
27	56407108	1	DECK WELDMENT	[6]
28	56009048	5	NUT WING LOC 1/4-20	
29	56407508	1	SKIRT BRISTLE DECK SHORT	[5]
30	56002491	5	NAKREŃKA NYL SS 1/4-20	

Part Notes:

- [1] - GUARANTEE DATE EXPIRED
- [2] - EXPIRED ON 06/25/2013
- [3] - PRUNED ACCESSORIES
- [4] - EXPIRED ON 1/10/2013
- [5] - TSBUS2002-766
- [6] - EXPIRED SEE TSBUS2002-766



Resource notes:

# SCRUB DECK/SKIRTS (CYLINDRICAL)

BR 850

2017.11.02

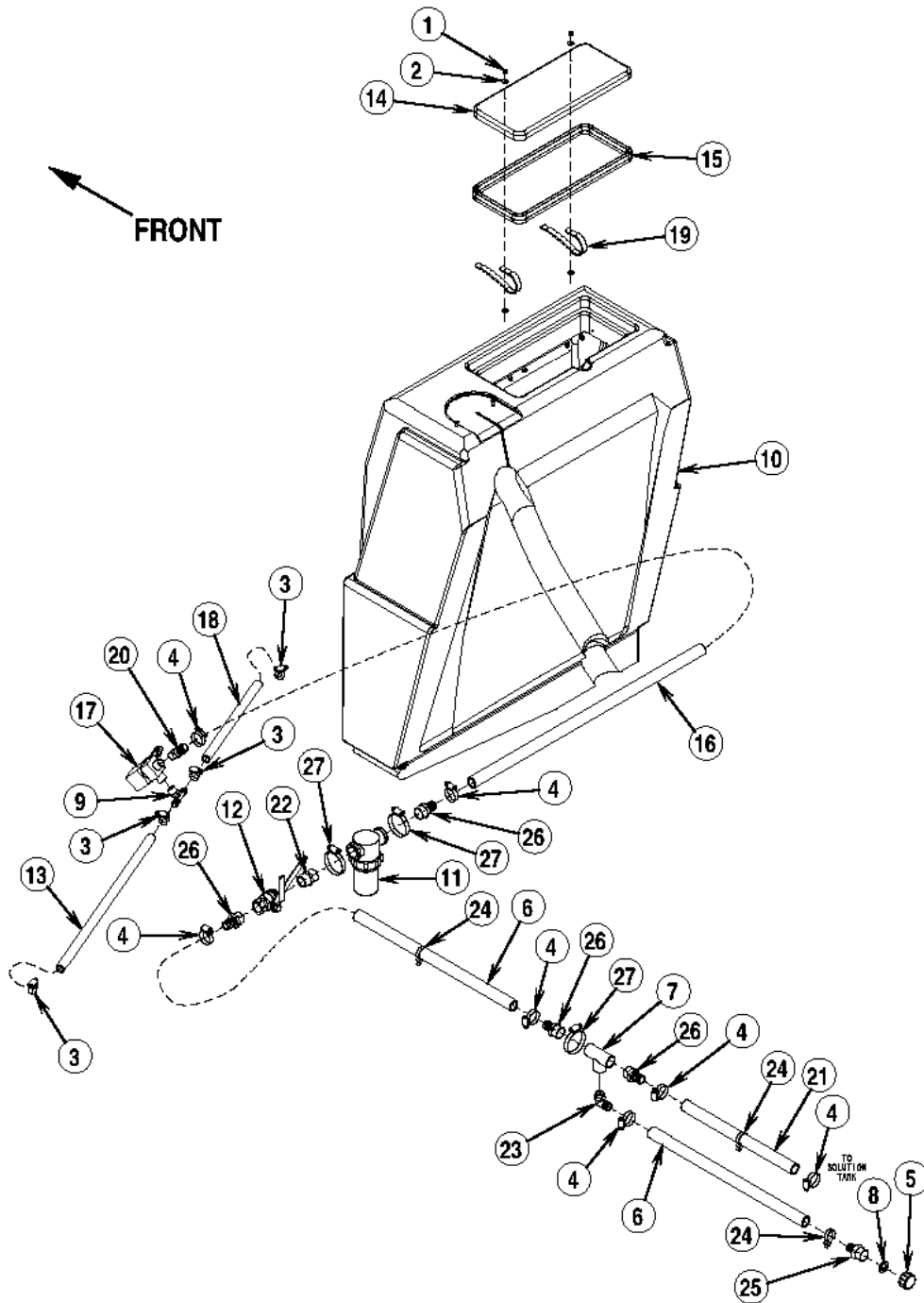
2013.04.02

Pos.	Numer Produktu	ilość	Opis	Notes
00	56390983	2	SKIRT-PU	
00	56407470	1	RIGHT SKIRT ASSY	[1]
00	56407542	1	RIGHT SKIRT ASSY	[1]
00	56407471	1	LEFT SKIRT ASSY	[1]
00	56407545	2	BLADE DECK NEOPRENE	[1]
00	56407536	1	LEFT SKIRT ASSY	[1]
01	56407429	1	HOUSING WELDT	[2]
01	56407531	1	HOUSING WELDT	[1]
02	56002843	4	NUT HEX NYL LOC-THIN 1/2-13	
03	56001879	2	WSH FLT SAE 1/2	
04	56002484	2	SCR HEX 1/2-13 X 4.50	[3]
05	56407415	1	BRACKET MOUNT	[1]
06	56470672	2	SPRING EXT .75X3.00RE124K	
07	56185263	4	BEARING SLEEVE E00202	
08	56407413	2	ARM MOUNT	[1]
10	56003426	12	NUT HEX NYL LOC SS M6	
11	56407411	2	RETAINER SKIRT	[1]
11	56407541	2	RETAINER SKIRT	[1]
12	56407447	2	fartuch	
12	56407540	2	BLADE DECK GUM	
13	56407448	1	SKIRT BRACKET WELDT	[1]
13	56407543	1	SKIRT BRACKET WELDMENT	[2]
14	56003431	14	SCR HEX SS M6-1.00X16MM	
15	56003179	2	SCR HEX THD/HD M8-1.25X20MM	
16	56001939	4	WSH FLT SAE 5/16	
17	56320595	4	BUSHING .31X.50X.28HC18M	
17	56391840	4	BUSHING	[1]
18	56003389	2	NUT HEX NYL-LOC M8X1.25	
19	56003441	2	SCR HEX LOC M6-1.00X16MM	
20	56407414	1	BRACKET MOUNT	[1]
21	56407449	1	SKIRT BRACKET WELDT	[1]
21	56407537	1	SKIRT BRACKET WELDMENT	[2]
22	56002959	2	SPINKA SS.090XDIA 0.50/0.75	
23	56407391	2	BLADE DECK GUM	
24	56410214	2	STRAP	[4]
25	56152811	2	COLLAR PC9A	
26	56001841	2	SCR SOC SET LOC 1/4-20 X .25	
27	56330391	2	WIRE ROPE ASSY 12.0	
28	56003178	2	SCR HEX THD TO HD M8-1.25X16MM	
29	56003403	1	NUT HEX NYL LOC M6 X 1.00	
30	56412459	1	WHEEL	
31	56412176	1	BUSHING	
32	56003492	1	SCR HEX M6-1.0 X 100MM	

**Part Notes:**

- [1] - GUARANTEE DATE EXPIRED
- [2] - EXPIRED ON 5/15/2012
- [3] - STOCK COVERS GUARANTEE
- [4] - EXPIRED USE 56009060



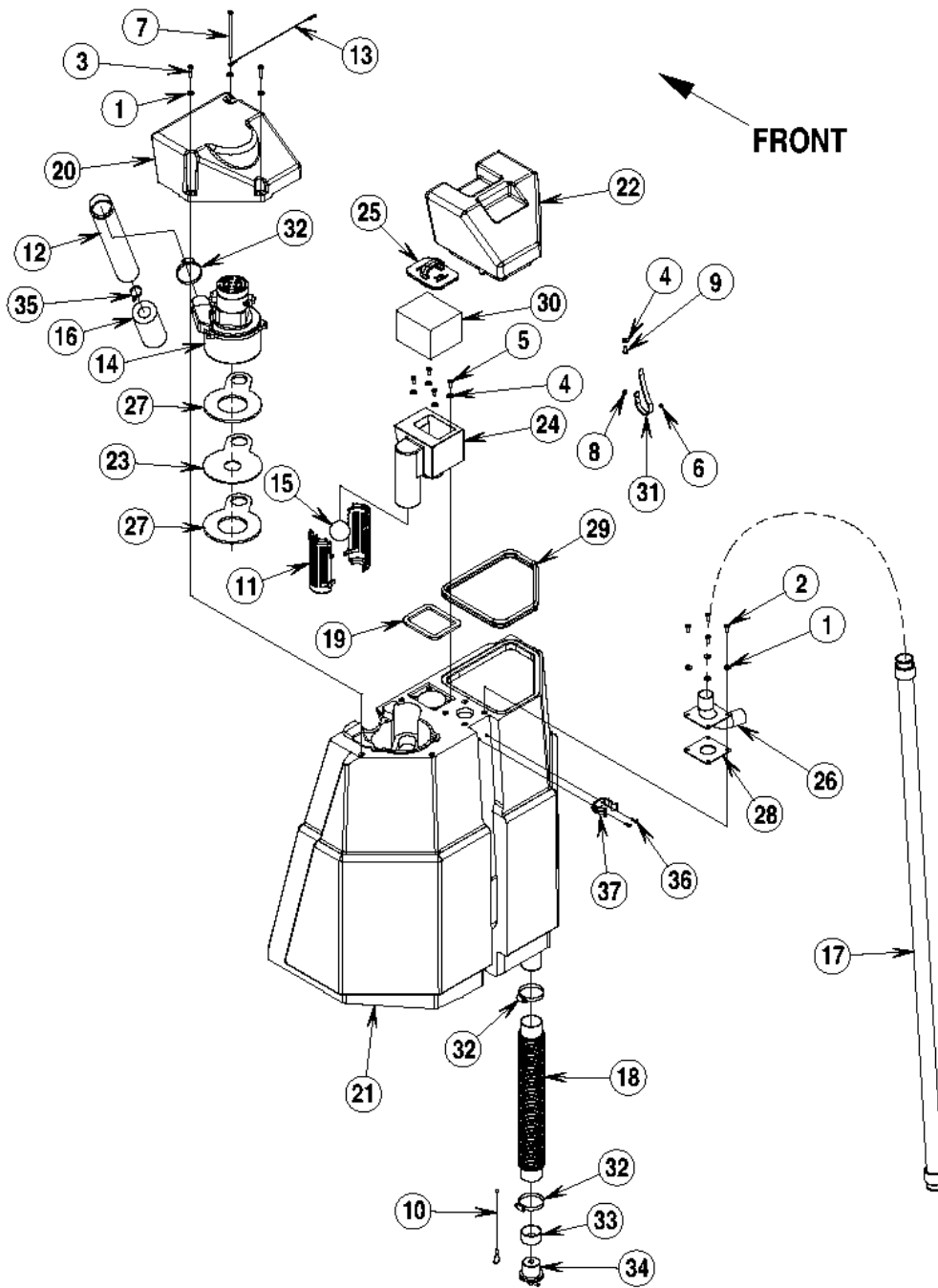


FORM NO. 56042340  
Resource notes:

Pos.	Numer Produktu	ilość	Opis	Notes
01	56003293	4	RIVET POP A/S .125 X .38/.50	[1]
02	56009098	8	WSH FLT SS .125X.500X.036	[1]
03	56219932	4	CLAMP HOSE SAE 6 E00047	
04	56244969	7	CLAMP HOSE SAE 12 E00047	
05	56255076	1	KOREK NYLON FA33K	
06	56264262	2	HOSE SPIRAL .750 E00605	
07	56324029	1	TEE ABS 3/4 NPT	[1]
08	56368776	1	WSH FLT RUBBER .625CV80L	
09	56407012	1	TEE 3/8NPT & BARB	[1]
10	56407061	1	SOLUTION TANK BR850 56	[1]
10	56407354	1	SOLUTION TANK 3200B 56	[1]
11	56407162	1	FILTR ROZTWORU	
12	56407204	1	VALVE ASSY. FLOW	[2]
12	56407203	1	HANDLE VALVE	[1]
12	56407158	1	VALVE FLOW CONTROL	[2]
13	56407267	1	HOSE SPIRAL E00604	
14	56407277	1	SOL. TANK COVER	[1]
15	56407282	1	GASKET	
16	56407309	1	HOSE SPIRAL E00605	[1]
16	56459674	1	HOSE SPIRAL E00605	
17	56409154	1	SOLENOID VALVE ASSY	
18	56409462	1	HOSE .50 X 12.0 E00604	
19	56409535	2	STRAP RETAINING	[1]
20	56409815	1	ADAPTOR BARB E00039	[1]
21	56449850	1	TUBE PVC .750X13.5 E00605	
22	2-00-05131	1	NIPPLE 3/4 NPT X 1 3/8 CL PLST	
23	56456802	1	ELBOW 3/4 X 3/4 E00037	
24	56477613	3	CABLE TIE E00549 RE409S	
25	56900273	1	BARB HOSE E00039	
26	56900292	4	ADAPTER BARB E00039	
27	56329145	3	CLAMP HOSE SAE 24 E00047	

## Part Notes:

- [1] - GUARANTEE DATE EXPIRED  
 [2] - STOCK COVERS GUARANTEE PE

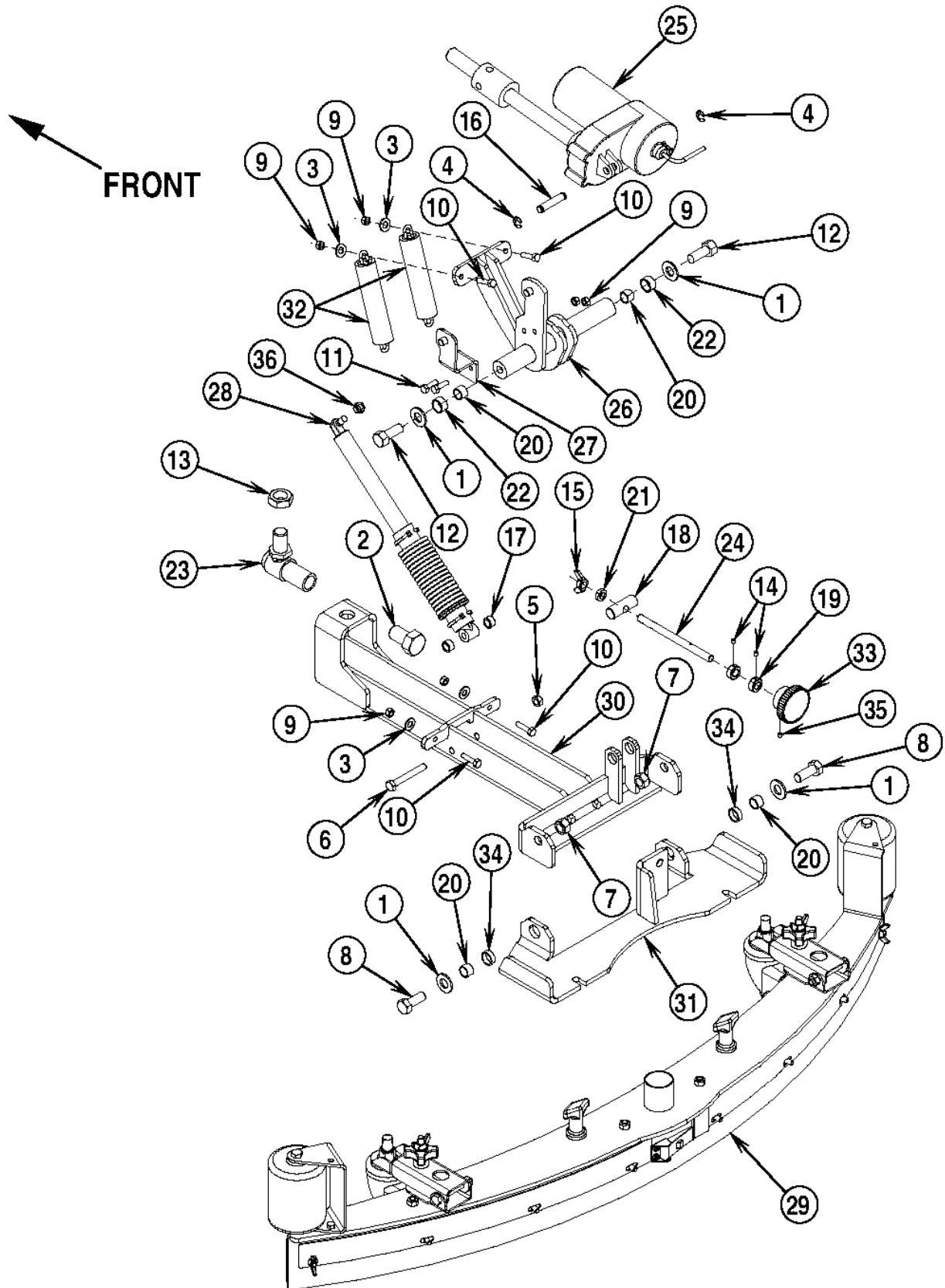


FORM NO. 56042340  
Resource notes:

Pos.	Numer Produktu	ilość	Opis	Notes
01	56002098	7	WSH FLT SAE 1/4	
02	56002507	4	SCR PAN PHIL 1/4-20 X .75	
03	56002825	2	SCR PAN PHIL 1/4-20 X 1.25	
04	56002859	5	WSH FLT SAE SS 1/4	
05	56002989	4	SCR PAN PHIL SS 1/4-20 X .62	
06	56003293	1	RIVET POP A/S .125 X .38/.50	[1]
07	56003473	1	SCR PAN PHIL SS 1/4 20 X 5.50	[1]
08	56009098	2	WSH FLT SS .125X.500X.036	[1]
09	56009120	1	SCR PANPHIL SS TYPEB1/4-14X.62	
10	56261378	1	LINKA KORKA	
11	56324497	2	PÓŁKOSZ PŁYWAKA	
12	56330090	1	HOSE VAC 2.00X18HC407B E00226	[1]
13	56330391	1	WIRE ROPE ASSY 12.0	
14	56503003	1	CARBON BRUSH 2 BRUSHES	[1]
14	56391208	1	VAC MOTOR ASSY	
15	56391690	1	KULA PŁYWAK	
16	56391807	1	FOAM ACCOUSTICAL	
17	56393771	1	WAŻ SSACY 1.5	
18	56407057	1	Waż	
19	56407062	1	GASKET INLET	[1]
20	56407064	1	DOME REC. TANK	[2]
21	56407066	1	RECOVERY TANK	[1]
22	56407081	1	COVER REC. TANK	[1]
23	56407240	1	PLATE	[1]
24	56407241	1	INTAKE HOUSING ROTO	[1]
25	56407264	1	USZCZELKA POKRYWY FILTRA	[1]
25	56407265	1	COVER/HANDLE ASSY.	
26	56407270	1	RECOVERY TUBE WLMT.	[1]
27	56407272	2	GASKET VAC MOTOR	[1]
28	56407273	1	GASKET SPOUT INLET	[1]
29	56407275	1	USZCZELKA POKRYWY ZBIORNIKA	
30	56407276	1	FILTER	
31	56409535	1	STRAP RETAINING	[1]
32	56440213	3	CLAMP HOSE SAE 32E00047	
33	56459250	1	Tulejka	
34	56459253	1	Korek	
35	56477613	1	CABLE TIE E00549 RE409S	
36	56002896	2	SCR PAN PHIL SS 10-24 X .62	
37	56407361	1	UCHWYT WEŻA	

## Part Notes:

- [1] - GUARANTEE DATE EXPIRED  
 [2] - EXPIRED ON 07/19/2013

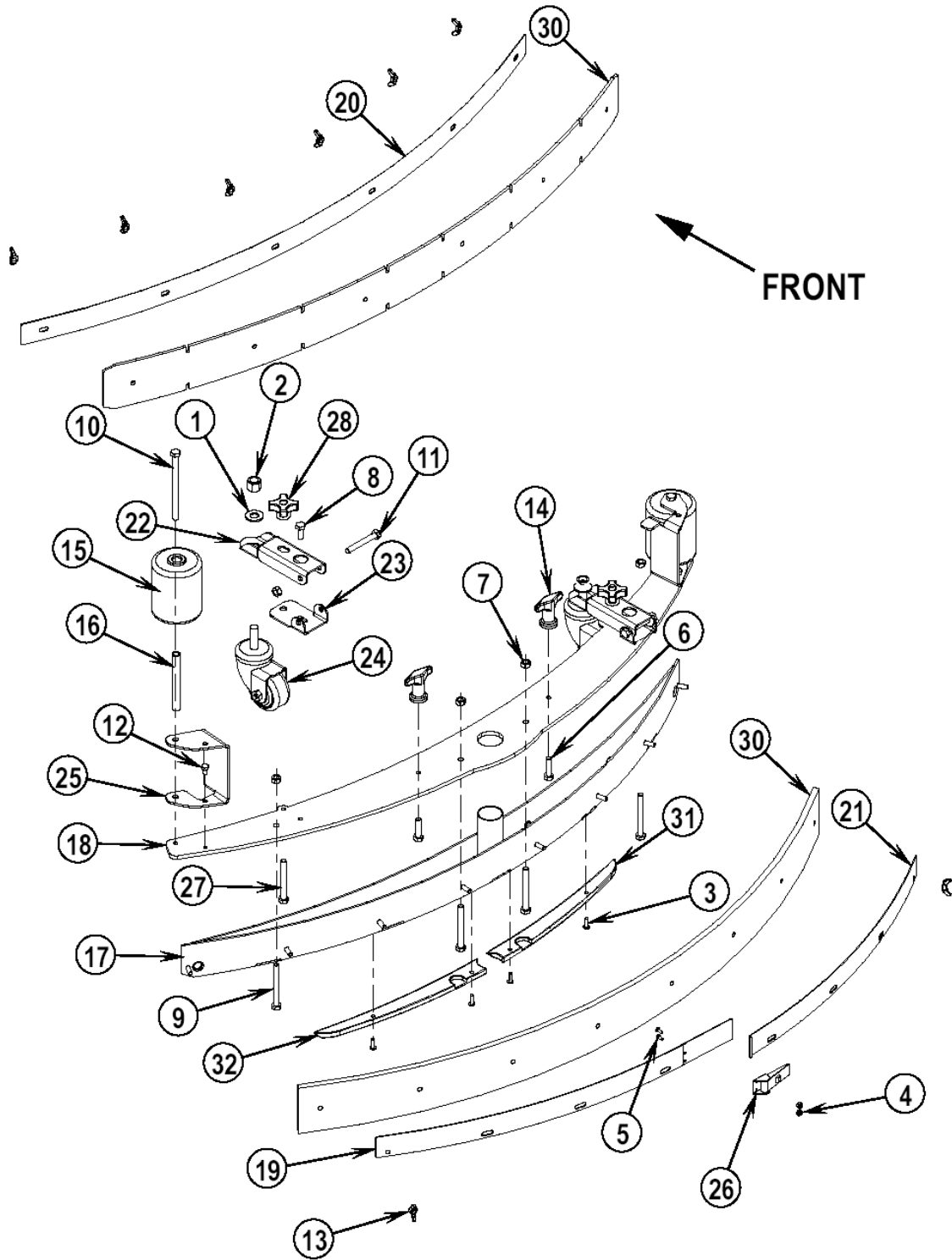


Resource notes:

Pos.	Numer Produktu	ilość	Opis	Notes
01	56001879	4	WSH FLT SAE 1/2	
02	56002739	1	ŚRUBA 3/4 16 X 1.25 GR 8	
03	56002938	4	WSH FLT SAE SS 5/16	
04	56003262	2	PIERŚCIEŃ TYP E	
05	56003389	1	NUT HEX NYL-LOC M8X1.25	
06	56003398	1	SCR HEX M8X1.25X60MM	
07	56003312	2	NAKRĘTKA NYL M12-1.75	
08	56003418	2	SCR HEX M12-1.75 X 30MM	
09	56003426	6	NUT HEX NYL LOC SS M6	
10	56003430	4	SCR HEX SS M6-1.00X25MM	[1]
11	56003443	2	PHIL PAN M6-1.00X20MM	
12	56003478	2	SCR HX NYLOC M12-1.25 X 30MM	[2]
13	56003329	1	NUT HEX NYL LOC-THIN 3/4-16	[2]
14	56009084	2	SCR SOC SET LOC 10-24X.19	
15	56009252	1	NAKRĘTKA MOTYL SS 3/8 16	
16	56104760	1	PIN C15J	
17	56232181	2	BUSHING .37X.56X.31FC218J	
18	56324369	1	PIN	
19	56331076	2	COLLAR .38X.75X.31 HC611C	
20	56360627	4	TULEJA .50X.62X.41CT32G	
21	56366013	1	BUSHING .37X.62X.18CV19H	
22	56370878	2	ŁOŻYSKO SLIZGOWE .627CV213FE0202	
23	56380431	1	PRZEGUB	
24	56392104	1	ROD ADJUSTER	
25	56393303	1	SIŁOWNIK 36V	
25	56470433	1	BRUSH KIT MOTOR	[3]
25	56388520	1	NAKRĘTKA SIŁOWNIKA PLASTIK	
26	56407028	1	ARM WELDMENT	[4]
27	56407110	1	HALF YOKE WELDMENT	[2]
28	56407382	1	GAS SPRING ASSY	[2]
29	56407590	1	SQUEEGEE ASSEMBLY	
30	56407304	1	MOUNT WELDMENT	[5]
31	56407306	1	SQUEEGEE MOUNT WLMT.	
32	56407335	2	CHAIN ASSEMBLY	
33	56475480	1	KNOB 2.00X.375 RE253C	
34	56478781	2	BEARING SLEEVE .627RE450CE0202	[6]
35	56003123	1	ŚRUBA 10-24 X 0.38	
36	56002826	1	NUT HEX NYL LOC-THIN 5/16-18	

## Part Notes:

- [1] - EXPIRED USE 56003695
- [2] - GUARANTEE DATE EXPIRED
- [3] - EXPIRED 1/4/2008
- [4] - EXPIRED ON 8/19/2011
- [5] - EXPIRED NO REPLACEMENT
- [6] - STOCK COVERS GUARANTEE



Resource notes:

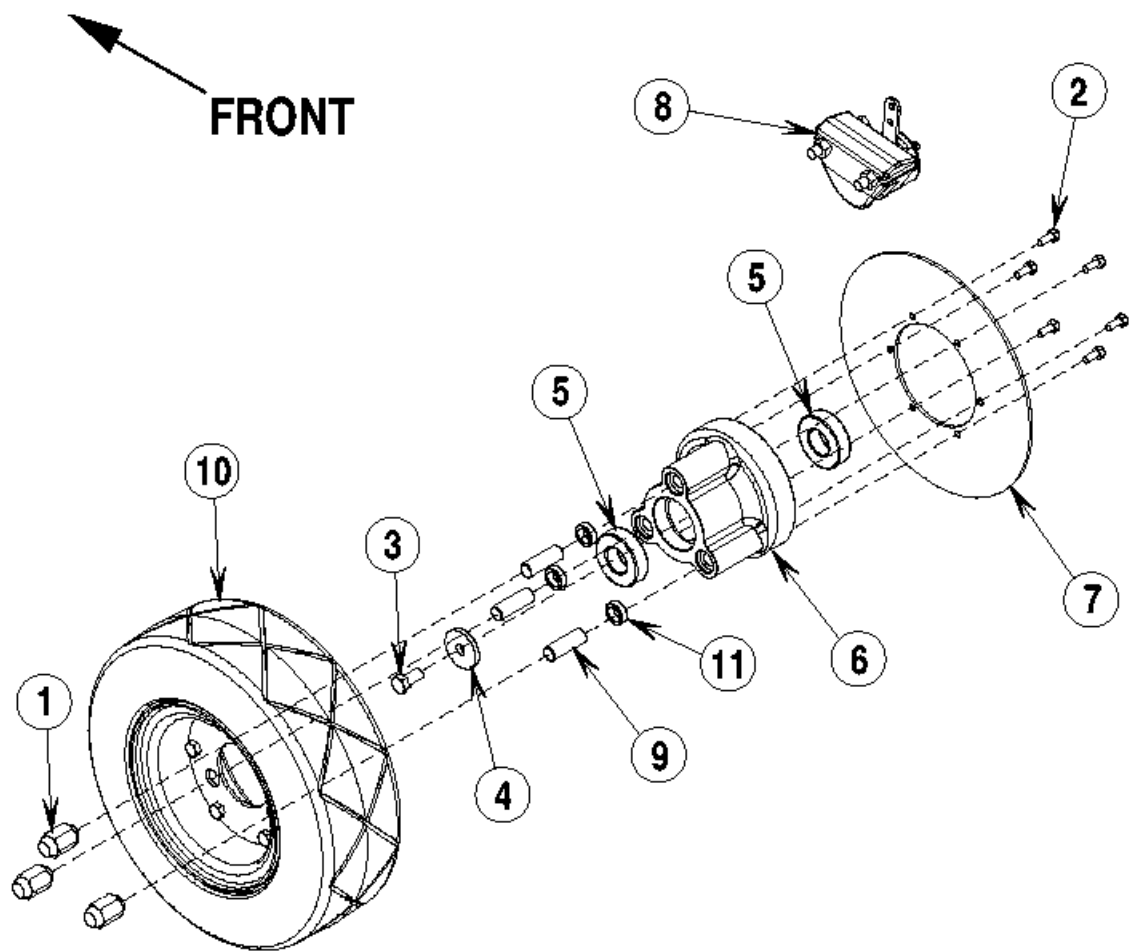
Note: \*\* 56407602 1 Neoprene Squeegee Blade Kit \*\* 56407601 1 Linatex Squeegee Blade Kit \*\* 56407505 1 Blade, Front W/O Notches (for tile floors)

Pos.	Numer Produktu	ilość	Opis	Notes
00	56407505	1	BLADE SQGEE RED GUM FR	[1]
00	56407590	1	SQUEEGEE ASSEMBLY	
00	56407602	1	NEOPRENE SQUEEGEE BLADE KIT	[2]
00	56407589	1	GUMY SSAWY KPL.	
00	56407601	1	BLADE KIT-SQGEE RED GUM	
01	56001879	2	WSH FLT SAE 1/2	
02	56002770	2	NUT HEX NYL LOC 1/2-13	
03	56002896	4	SCR PAN PHIL SS 10-24 X .62	
04	56002964	2	NUT HEX NYL LOC THIN SS 6-32	
05	56002909	2	SCR PAN PHIL SS 6-32 X .38	
06	56003302	2	ŚRUBA HD SS 5/16-18X1.25	
07	56003405	6	NUT HEX NYL LOC SS M8X1.25	
08	56003435	2	SCR HEX SS M8-1.25X20MM	
09	56003461	4	SCR HEX SS M8-1.25 X 75MM	[2]
10	56003462	2	SCR HEX SS M8-1.25 X 120MM	[2]
11	56003464	2	SCR HEX SS M8-1.25 X 60MM	
12	56003498	2	SCR HEX HD SS M6-1.0X 10MM	[2]
13	56009111	8	NAKRETKA MOTYL SS 1/4 20	
14	56370711	2	POKRETLÓ MOCUJĄCE	
15	56407006	2	ROLKA ODBOJOWA	
16	56407155	2	TULEJA	[2]
17	56407290	1	TOOL WLMT.	[2]
18	56407294	1	PLATE	[2]
19	56407297	1	STRAP REAR	[2]
20	56407298	1	STRAP FRONT	[2]
21	56407299	1	STRAP REAR	[2]
22	56407301	2	BRACKET	[2]
23	56407302	2	BRACKET	[3]
24	56407344	2	KOŁO OBROTOWE SSAWY	
25	56407375	2	BRACKET	
26	56471194	1	Zatrząsk	
27	56003649	2	SCR HX THD2 HD SS 5/16-18X2.75	[4]
28	56407510	2	POKRETLÓ REGULACYJNE	
30	56407589	1	GUMY SSAWY KPL.	
31	56410416	1	INSERT SQUEEGEE LEFT	[2]
32	56410417	1	INSERT SQUEEGEE RIGHT	[2]

## Part Notes:

- [1] - PRUNED ACCESSORY
- [2] - GUARANTEE DATE EXPIRED
- [3] - EXPIRED USE 56111936
- [4] - STOCK COVERS GUARANTEE





FORM NO. 56042340

Resource notes:

# REAR WHEEL SYSTEM

BR 850

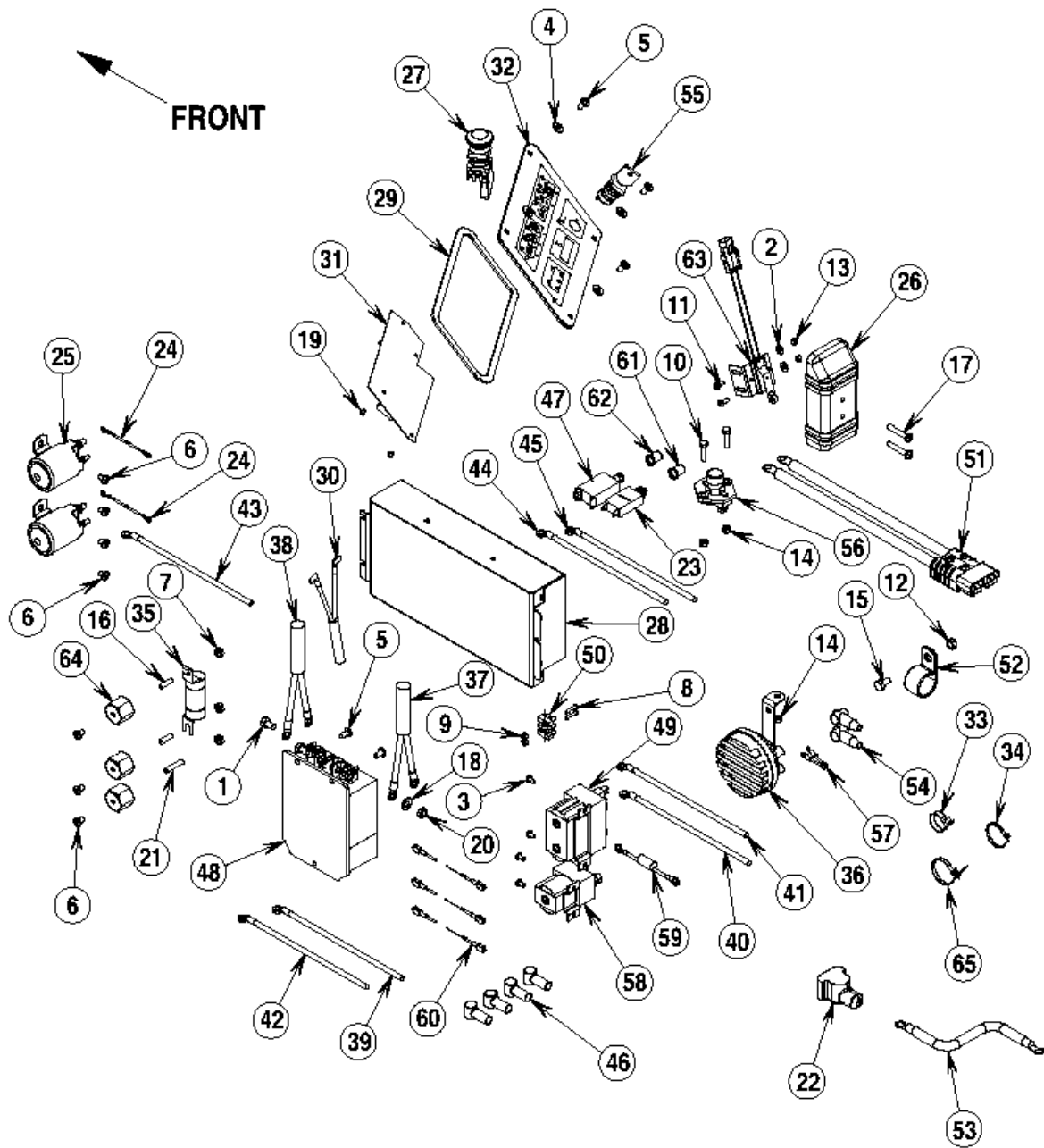
2017.11.02

2013.04.02

Pos.	Numer Produktu	ilość	Opis	Notes
01	56003384	6	NUT LUG M14X1.50	
02	56003441	12	SCR HEX LOC M6-1.00X16MM	
03	56003442	2	SCR HEX LOC M10-1.50X20MM	
04	56367117	2	WSH FLT STEEL .406CV31C	
05	56479430	4	ŁOZYSKO KULOWE .9843 RE470AG	
06	56407137	2	HUB FINISHED	[1]
07	56407138	2	BRAKE DISC	[1]
08	56391301	1	BRAKE CALIPER	[1]
08	56407139	1	CALIPER BRAKE	[1]
09	56407182	6	STUD M15 X 1.5	[1]
10	56407183	2	WHEEL ASSEMBLY	[2]
10	56407321	2	WHEEL ASSY SCRUBBER	[2]
11	56407359	6	BUSHING .84X.56X.29	[1]

**Part Notes:**

- [1] - GUARANTEE DATE EXPIRED
- [2] - EXPIRED ON 3/25/2009



FORM NO. 56042340

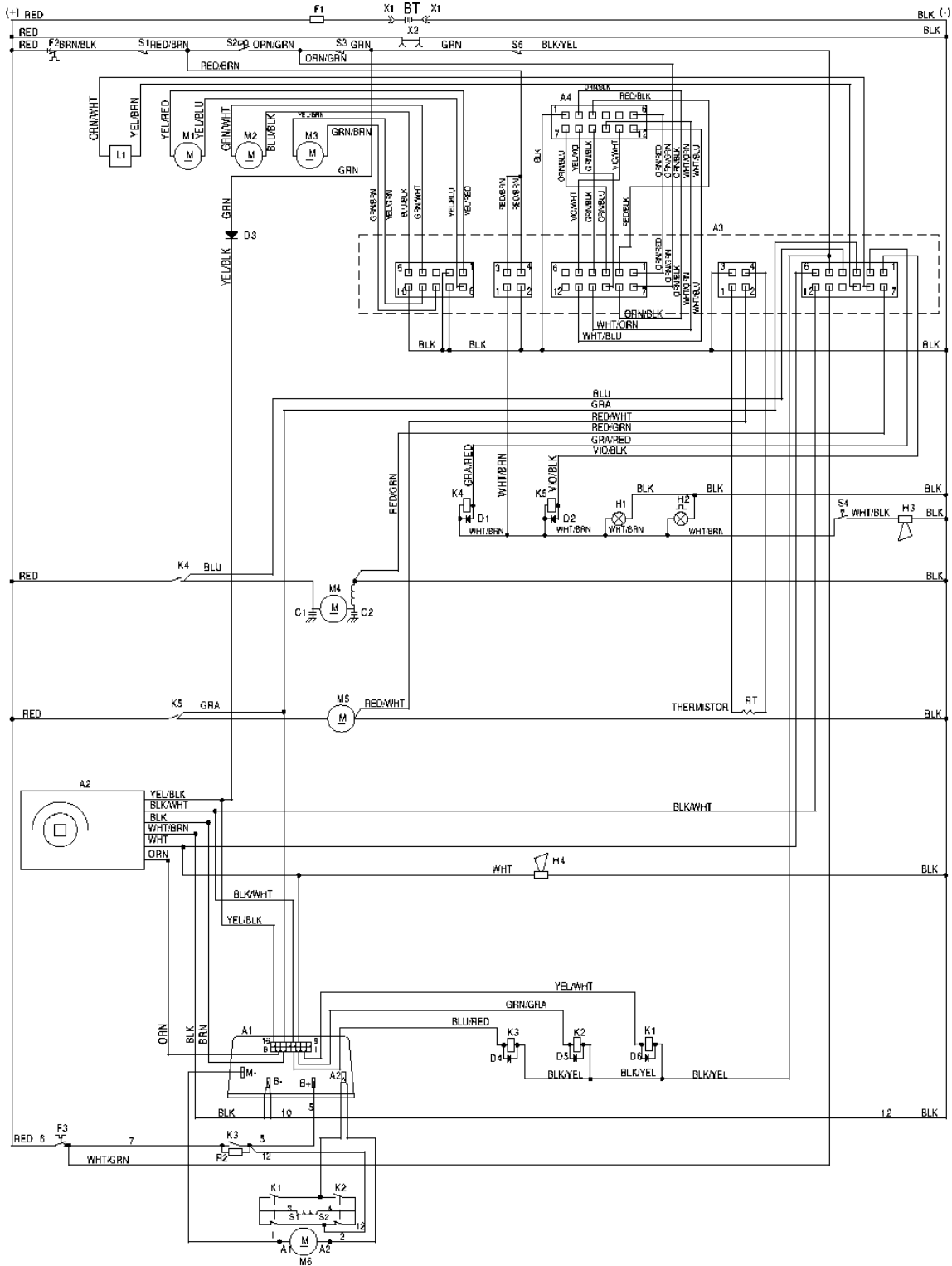
Resource notes:

Pos.	Numer Produktu	ilość	Opis	Notes
01	56001862	4	SCR HEX 5/16-18 X .50	
02	56001954	2	WSH FLT SAE 10	
03	56002043	4	SCR PAN PHIL 10-24 X .38	
04	56002098	4	WSH FLT SAE 1/4	
05	56002145	7	SCR PAN PHIL 1/4-20 X .50	
06	56002462	10	SCR PAN PHIL 1/4-20 X .38	
07	56002708	3	NUT HEX NYL LOC 1/4-20	
08	56002817	2	SCR PAN PHIL 6 32 X .75	[1]
09	56002830	2	NUT HEX NYL LOC 6-32	
10	56003358	2	SCR HEX M6 X 25.0	
11	56003377	2	SCR PAN PHIL M5X12MM	
12	56003389	1	NUT HEX NYL-LOC M8X1.25	
13	56003402	2	NUT HEX NYL LOC M5 X 0.80	
14	56003403	3	NUT HEX NYL LOC M6 X 1.00	
15	56003423	1		
16	56009020	2	STUD 1/4-20 X .88	
17	56009050	2	SCR PAN PHIL THD 1/4 20X1.50	[1]
18	56009052	4	WSH INT SHPRF 5/16	
19	56009055	4	SCR PAN PHIL 8 32 X .19	[1]
20	56009086	4	NUT HEX JAM 5/16-18	
21	56009203	1	STUD 1/4-20X1.31	
22	56372673	12	BOOT BATTERY POST	
23	56387316	1	CIRCUIT BREAKER 10A	
24	56389265	2	RECTIFIER ASSY.	[2]
25	56395450	2	STYCZNIK 36V	
26	56407107	1	COVER CHARGER PLUG	[1]
27	56407130	1	WYŁĄCZNIK BEZPIECZEŃSTWA	
28	56407167	1	CONTROL BOX ASSY.	[3]
29	56407168	1	GASKET	[1]
30	56407210	1	MAIN HARNESS	[4]
31	56407219	1	DISPLAY PCB ASSY	[1]
32	56407221	1	CONTROL PANEL ASSY.	[5]
32	56407220	1	MEMBRANE SWITCH	[1]
32	56407089	1	PANEL CONTROL	[1]
33	56477613	12	CABLE TIE E00549 RE409S	
34	56478246	12	CABLE TIE E00549 RE438BA	
35	56479108	1	FUSE CLAMP 200 AMP	[5]
36	56482365	1	SYGNALIZATOR DŹWIEKOWY 36V	
37	56407238	1	CABLE ASSEMBLY	[1]
38	56407239	1	CABLE ASSEMBLY	[1]
39	56407248	1	CABLE ASSEMBLY 6 AWG	[1]
40	56407250	1	CABLE ASSEMBLY 6 AWG	[1]
41	56407251	1	CABLE ASSEMBLY 6 AWG	[1]
42	56407253	1	CABLE ASSEMBLY 6 AWG	[6]
43	56407254	1	CABLE ASSEMBLY 4 AWG	[1]
44	56407258	1	CABLE ASSEMBLY 8 AWG	[1]
45	56407260	1	CABLE ASSEMBLY 8 AWG	[1]
46	56409538	4	TERMINAL INSULATOR	
47	56407343	1	CIRCUIT BREAKER 45A	[5]
48	56407356	1	CONTROLLER SPEED	[1]
49	56416677	1	CONTACTOR REVERSING	[1]
50	56409240	1	DIODE ASSEMBLY	[1]
51	56409444	1	CONNECTOR ASSY.	
52	56409463	1	CLAMP 1.25 HOSE SUPPORT	
53	56409485	5	CABLE ASSY.1 X 15.00	
53	56398090	12	TERMINAL CLAMP BTY CT414	
54	56492305	2	BOOT	
55	56420158	1	KEY REPLACEMENT	[5]
55	56420113	1	SWITCH KEY	

Pos.	Numer Produktu	ilość	Opis	Notes
56	56441555	1	SWITCH START SPST 26240-4	[1]
57	56454662	1	VARISTOR ASSEMBLY	[1]
58	56454806	1	CONTACTOR ASSY 36V SPST	[1]
59	56454807	1	RESISTOR ASSEMBLY	[1]
60	56454812	3	DIODE ASSEMBLY	[1]
61	56459367	1	BOOT RESET BUTTON E00585	
62	56459368	1	BOOT RESET BUTTON E00585	
63	56462362	1	SWITCH ASSY.	[1]
64	56469858	3	ELECTRICAL MOUNT	
65	56900753	4	TIE PUSH MOUNT E00217	[1]
65	56407233	1	CHARGER PLUG ASSY.	[1]
65	56407234	1	BATTERY PLUG ASSY.	[1]

## Part Notes:

- [1] - GUARANTEE DATE EXPIRED
- [2] - TSBUS2003-843
- [3] - EXPIRED ON 07/18/2014
- [4] - EXPIRED ON 6/15/2009
- [5] - STOCK COVERS GUARANTEE
- [6] - EXPIRED ON 4/4/2007



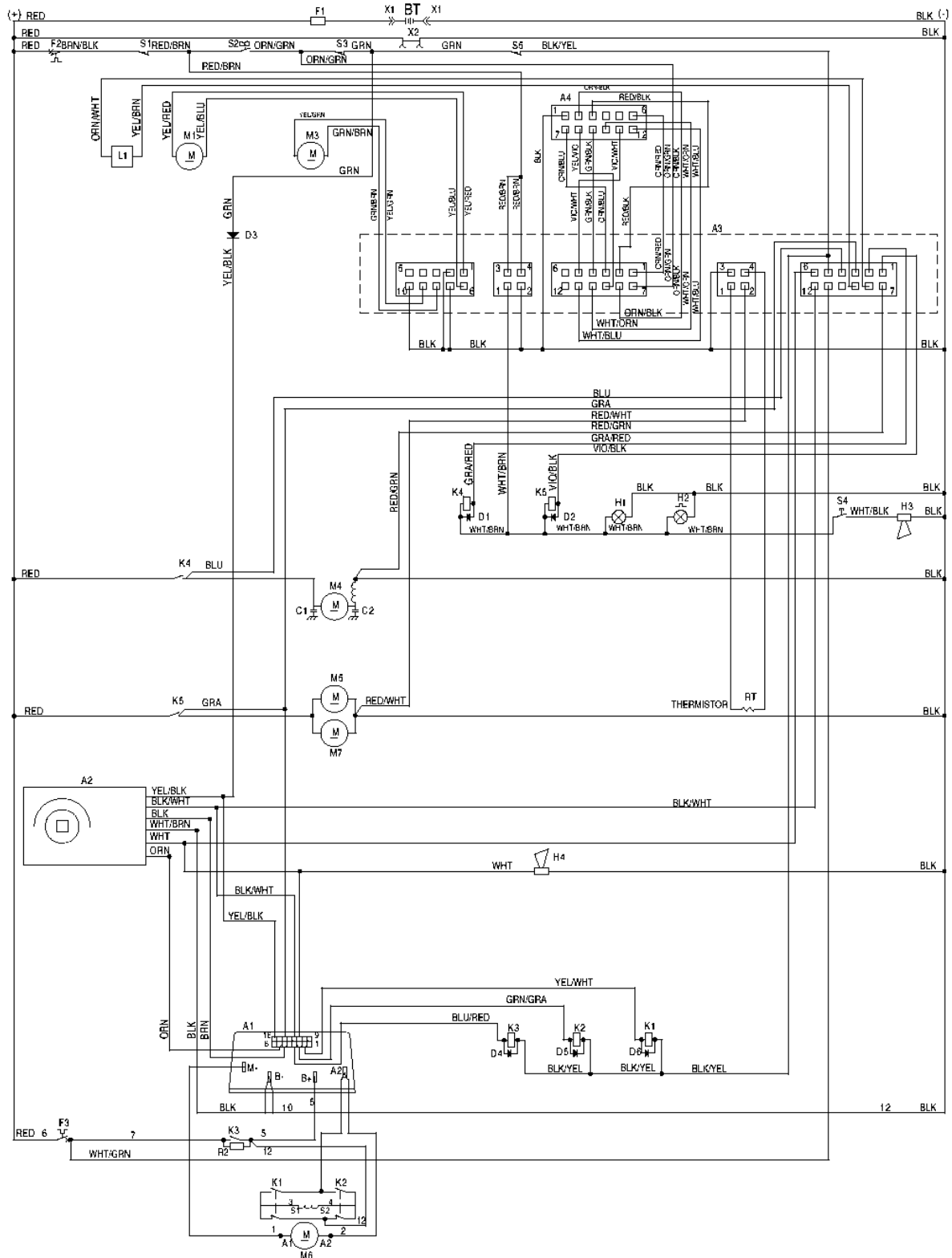
FORM NO. 56042340

Resource notes:

Pos.	Numer Produktu	ilość	Opis	Notes
0V	56454662	1	VARISTOR ASSEMBLY	[1]
A1	56407356	1	CONTROLLER SPEED	[1]
A2	56416169	1	THROTTLE ELECTRONIC	[1]
A3	56407167	1	CONTROL BOX ASSY.	[2]
A4	56407219	1	DISPLAY PCB ASSY	[1]
D1	56389265	1	RECTIFIER ASSY.	[3]
D2	56389265	1	RECTIFIER ASSY.	[3]
D3	56409240	1	DIODE ASSEMBLY	[1]
D4	56454812	1	DIODE ASSEMBLY	[1]
D5	56454812	1	DIODE ASSEMBLY	[1]
D6	56454812	1	DIODE ASSEMBLY	[1]
F1	56479108	1	FUSE CLAMP 200 AMP	[4]
F2	56387316	1	CIRCUIT BREAKER 10A	
F3	56407343	1	CIRCUIT BREAKER 45A	[4]
H1	56407236	1	HEADLIGHT KIT	[5]
H2	56407237	1	BEACON KIT	[5]
H3	56482365	1	SYGNALIZATOR DŹWIEKOWY 36V	
H4	56407235	1	BACK UP ALARM KIT	[5]
K1	56416677	1	CONTACTOR REVERSING	[1]
K2	56416677	1	CONTACTOR REVERSING	[1]
K3	56454806	1	CONTACTOR ASSY 36V SPST	[1]
K4	56395450	1	STYCZNIK 36V	
K5	56395450	1	STYCZNIK 36V	
L1	56409154	1	SOLENOID VALVE ASSY	
M1	56391627	1	SIŁOWNIK 36V	
M1	56470431	1	BRUSH KIT MOTOR	[6]
M1	56388520	1	NAKRĘTKA SIŁOWNIKA PLASTIK	
M2	56388520	1	NAKRĘTKA SIŁOWNIKA PLASTIK	
M2	56470431	1	BRUSH KIT MOTOR	[6]
M2	56407283	1	BRUSH HEAD EXTENSION KIT	[7]
M3	56393303	1	SIŁOWNIK 36V	
M3	56388520	1	NAKRĘTKA SIŁOWNIKA PLASTIK	
M3	56470433	1	BRUSH KIT MOTOR	[6]
M4	56377001	1	CARBON BRUSH SET OF 2	
M4	56391208	1	VAC MOTOR ASSY	
M5	56407192	1	MOTOR	[1]
M6	56407010	1	MOTOR/WHEEL ASSEMBLY	[1]
R2	56454807	1	RESISTOR ASSEMBLY	[1]
S1	56462362	1	SWITCH ASSY.	[1]
S2	56420113	1	SWITCH KEY	
S2	56420158	1	KEY REPLACEMENT	[4]
S3	56409613	1	WYŁĄCZNIK SIEDZISKA OPERATORA	
S4	56441555	1	SWITCH START SPST 26240-4	[1]
S5	56407130	1	WYŁĄCZNIK BEZPIECZEŃSTWA	
X1	56407234	1	BATTERY PLUG ASSY.	[1]
X2	56407233	1	CHARGER PLUG ASSY.	[1]
X2	56407210	1	MAIN HARNESS	[7]

## Part Notes:

- [1] - GUARANTEE DATE EXPIRED
- [2] - EXPIRED ON 07/18/2014
- [3] - TSBUS2003-843
- [4] - STOCK COVERS GUARANTEE
- [5] - ACC. FOR OBSOLETE MACHINE
- [6] - EXPIRED 1/4/2008
- [7] - EXPIRED ON 6/15/2009



FORM NO. 56042340

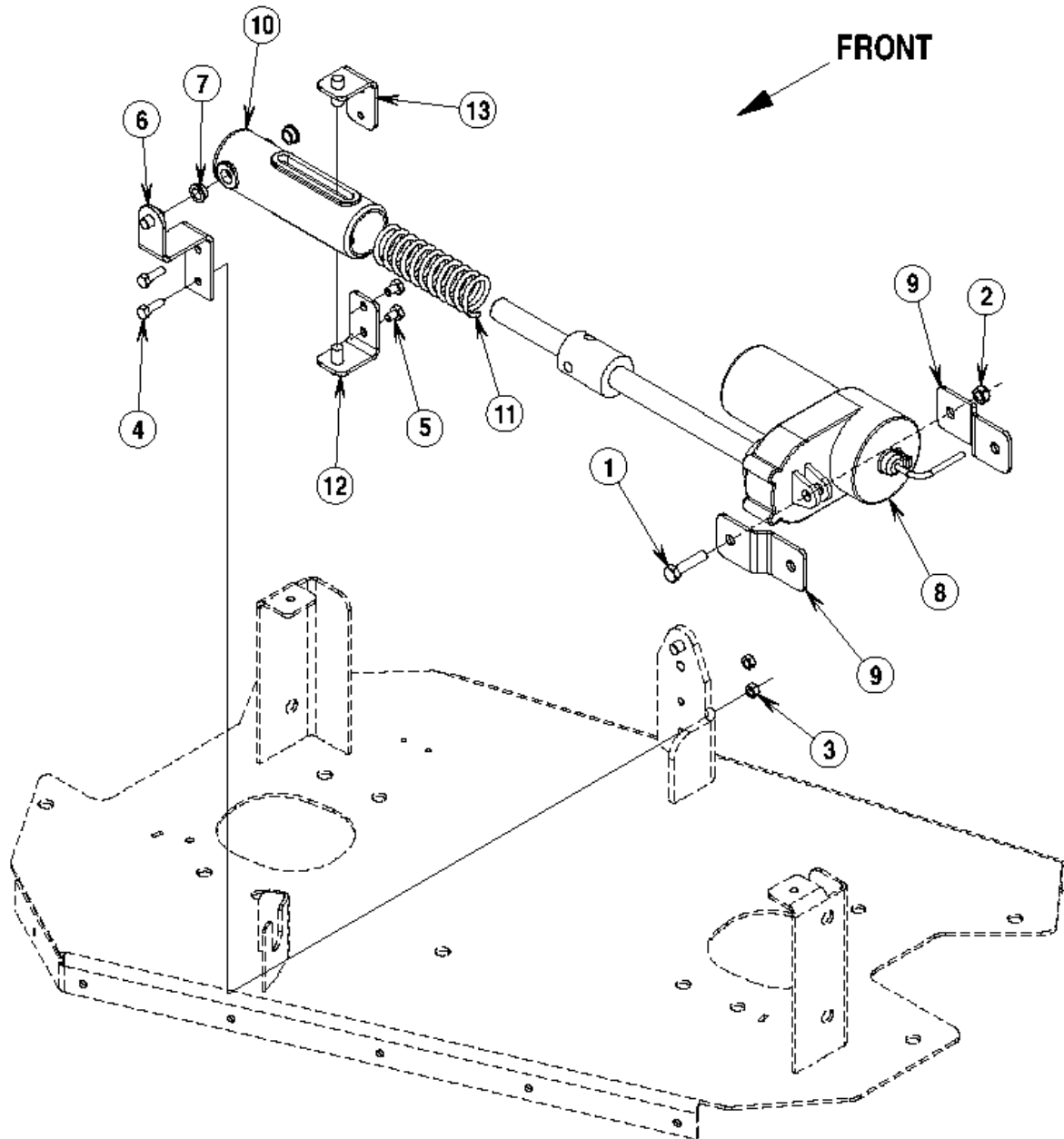
Resource notes:



Pos.	Numer Produktu	ilość	Opis	Notes
0V	56454662	1	VARISTOR ASSEMBLY	[1]
A1	56407356	1	CONTROLLER SPEED	[1]
A2	56416169	1	THROTTLE ELECTRONIC	[1]
A3	56407167	1	CONTROL BOX ASSY.	[2]
A4	56407219	1	DISPLAY PCB ASSY	[1]
D1	56389265	1	RECTIFIER ASSY.	[3]
D2	56389265	1	RECTIFIER ASSY.	[3]
D3	56409240	1	DIODE ASSEMBLY	[1]
D4	56454812	1	DIODE ASSEMBLY	[1]
D5	56454812	1	DIODE ASSEMBLY	[1]
D6	56454812	1	DIODE ASSEMBLY	[1]
F1	56479108	1	FUSE CLAMP 200 AMP	[4]
F2	56387316	1	CIRCUIT BREAKER 10A	
F3	56407343	1	CIRCUIT BREAKER 45A	[4]
H1	56407236	1	HEADLIGHT KIT	[5]
H2	56407237	1	BEACON KIT	[5]
H3	56482365	1	SYGNALIZATOR DŹWIEKOWY 36V	
H4	56407235	1	BACK UP ALARM KIT	[5]
K1	56416677	1	CONTACTOR REVERSING	[1]
K2	56416677	1	CONTACTOR REVERSING	[1]
K3	56454806	1	CONTACTOR ASSY 36V SPST	[1]
K4	56395450	1	STYCZNIK 36V	
K5	56395450	1	STYCZNIK 36V	
L1	56409154	1	SOLENOID VALVE ASSY	
M1	56391627	1	SIŁOWNIK 36V	
M1	56470431	1	BRUSH KIT MOTOR	[6]
M1	56388520	1	NAKRĘTKA SIŁOWNIKA PLASTIK	
M3	56388520	1	NAKRĘTKA SIŁOWNIKA PLASTIK	
M3	56470433	1	BRUSH KIT MOTOR	[6]
M3	56393303	1	SIŁOWNIK 36V	
M4	56391208	1	VAC MOTOR ASSY	
M4	56503003	1	CARBON BRUSH 2 BRUSHES	[1]
M5	56407431	1	MOTOR 36VDC .75HP	
M6	56407010	1	MOTOR/WHEEL ASSEMBLY	[1]
M7	56407431	1	MOTOR 36VDC .75HP	
R2	56454807	1	RESISTOR ASSEMBLY	[1]
S1	56462362	1	SWITCH ASSY.	[1]
S2	56420113	1	SWITCH KEY	
S2	56420158	1	KEY REPLACEMENT	[4]
S3	56409613	1	WYŁĄCZNIK SIEDZISKA OPERATORA	
S4	56441555	1	SWITCH START SPST 26240-4	[1]
S5	56407130	1	WYŁĄCZNIK BEZPIECZEŃSTWA	
X1	56407234	1	BATTERY PLUG ASSY.	[1]
X2	56407210	1	MAIN HARNESS	[7]
X2	56407233	1	CHARGER PLUG ASSY.	[1]

## Part Notes:

- [1] - GUARANTEE DATE EXPIRED
- [2] - EXPIRED ON 07/18/2014
- [3] - TSBUS2003-843
- [4] - STOCK COVERS GUARANTEE
- [5] - ACC. FOR OBSOLETE MACHINE
- [6] - EXPIRED 1/4/2008
- [7] - EXPIRED ON 6/15/2009



FORM NO. 56042340

Resource notes:

## BRUSH HEAD EXTENSION KIT (DISC MODELS ONLY)

2017.11.02

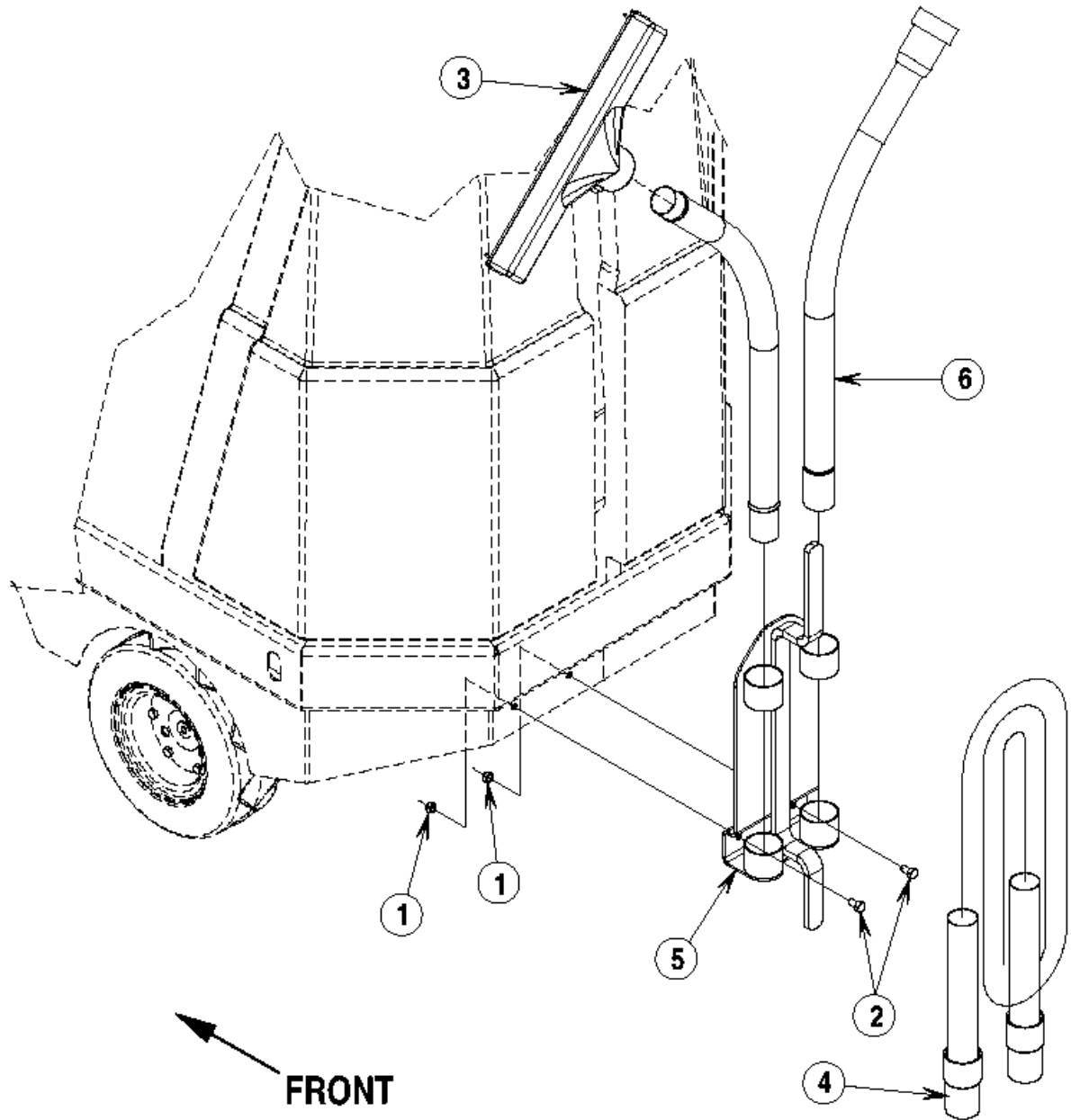
BR 850

2017.08.09

Pos.	Numer Produktu	ilość	Opis	Notes
00	56407283	1	BRUSH HEAD EXTENSION KIT	[1]
01	56003361	1	SCR HEX HD M8 X 35.0	
02	56003389	1	NUT HEX NYL-LOC M8X1.25	
03	56003426	2	NUT HEX NYL LOC SS M6	
04	56003443	2	PHIL PAN M6-1.00X20MM	
05	56009019	2	SCR HEX THD FORM 1/4-20X .38	
06	56420021	1	MOUNT WELDMENT	[2]
07	56324505	2	BEARING FLANGE.376E00201	
08	56470431	1	BRUSH KIT MOTOR	[3]
08	56391627	1	SIŁOWNIK 36V	
08	56388520	1	NAKRETKA SIŁOWNIKA PLASTIK	
09	56407103	2	ACTUATOR YOKE	[4]
10	56407106	1	SPRING HSG. ACTUATOR	[2]
11	56407246	1	COMPRESSION SPRING	[2]
12	56420019	1	NUT RETAINER WLMT.	
13	56420020	1	NUT RETAINER WLMT.	

## Part Notes:

- [1] - EXPIRED ON 6/15/2009
- [2] - GUARANTEE DATE EXPIRED
- [3] - EXPIRED 1/4/2008
- [4] - Expired 12/28/2005



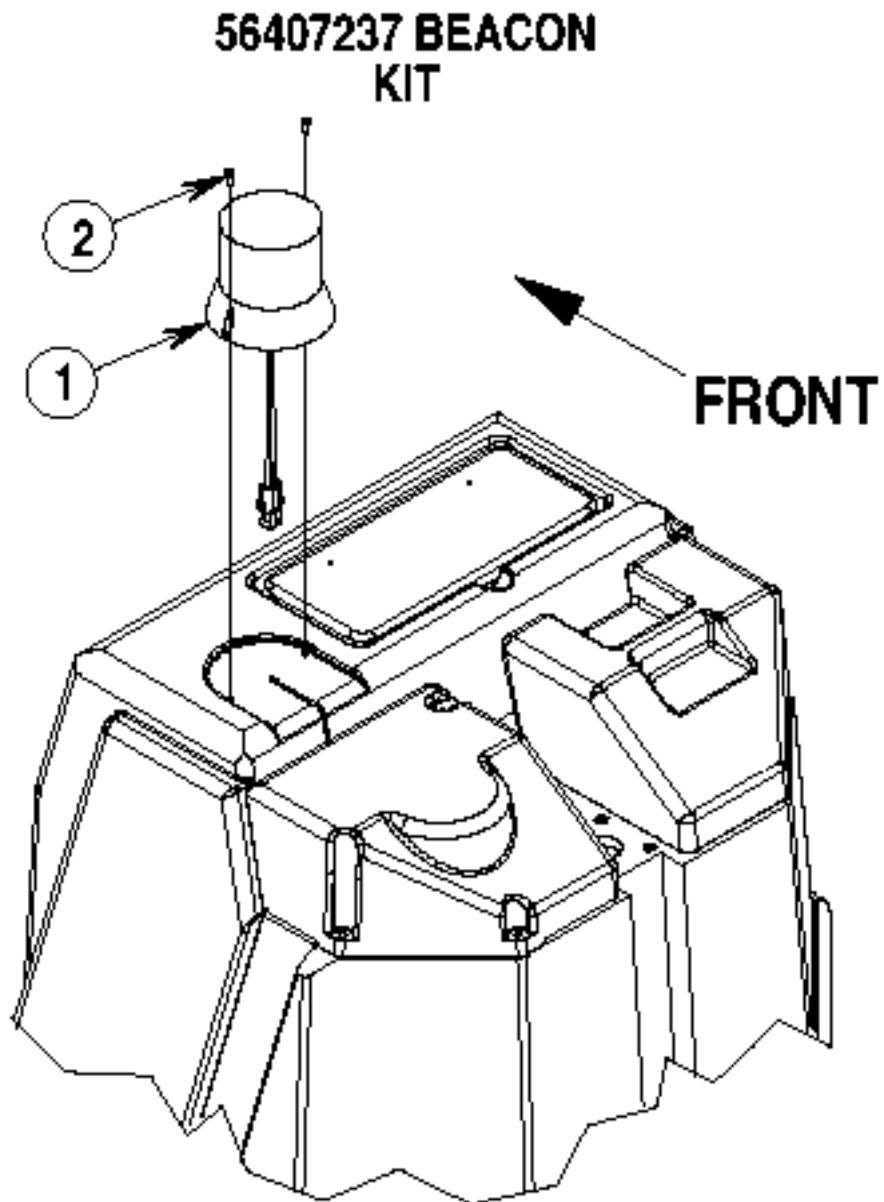
FORM NO. 56042340

Resource notes:

Pos.	Numer Produktu	ilość	Opis	Notes
00	56407242	1	VACUUM WAND CADDY KIT 66	[1]
01	56003389	2	NUT HEX NYL-LOC M8X1.25	
02	56003423	2		
03	56205114	1	SQUEEGEE TOOL 14AS	
04	56329062	1	VAC HOSE 1.50	
05	56407214	1	CADDY WELDMENT	[2]
06	56409563	1	WAND 2 PIECE	[3]

## Part Notes:

- [1] - Expired 12/13
- [2] - EXPIRED 3/21/2007
- [3] - STOCK COVERS GUARANTEE



Resource notes:

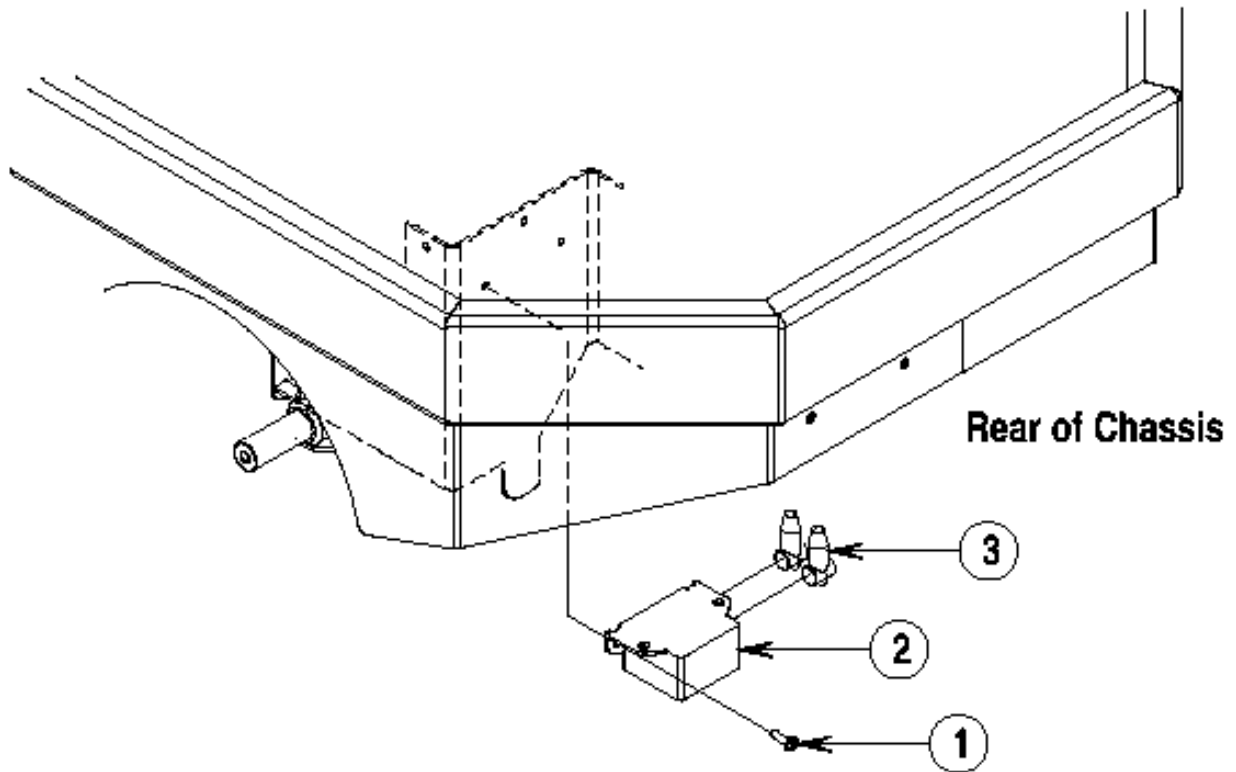
---

Pos.	Numer Produktu	ilość	Opis	Notes
00	56407237	1	BAECON KIT	[1]

## Part Notes:

[1] - ACC. FOR OBSOLETE MACHINE

**56407235 BACKUP ALARM KIT**



Resource notes:



---

Pos.	Numer Produktu	ilość	Opis	Notes
00	56407235	1	BACK UP ALARM KIT	[1]
1	56009126	2	SCR PANPHILTHD FORM 1/4-20X.75	
2	56409232	1	BACK-UP ALARM	
3	56409538	2	TERMINAL INSULATOR	
NS	56478246	1	CABLE TIE E00549 RE438BA	

## Part Notes:

[1] - ACC. FOR OBSOLETE MACHINE



Resource notes:

---

Pos.	Numer Produktu	ilość	Opis	Notes
00	56505780	1	"TRZYMAK PAD -17"" 3 UCHWYTY"	
00	56505781	1	SZCZOTKA DYSKOWA-17 MAGNAGRIT 3 LUG	
00	56505786	1	SZCZOTKA 17" 430MM	
00	56505783	1	SZCZOTKA DYSKOWA-17 AGLITE 3 LUG	
00	56505782	1	SZCZOTKA DYSKOWA-17 DYNAGRIT 3 LUG	
00	56505784	1	"SZCZOTKA -17"" PROLENE 3 UCHWYTY"	
00	56505788	1	Szczotka	
00	56505785	1	"SZCZOTKA -17"" PROLITE 3 UCHWYTY"	
00	56505787	1	Szczotka Midgrit	

---



Resource notes:

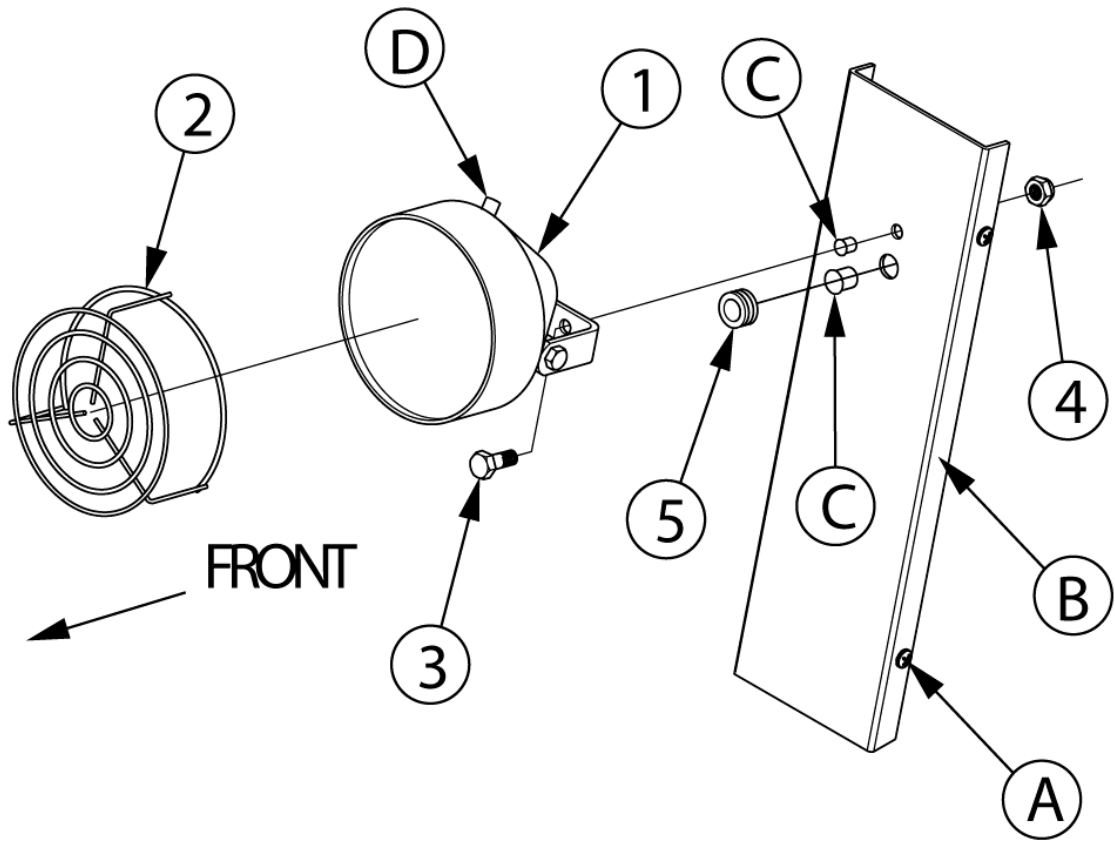
# BRUSH SELECTOR

BR 850

2017.11.02

2013.04.02

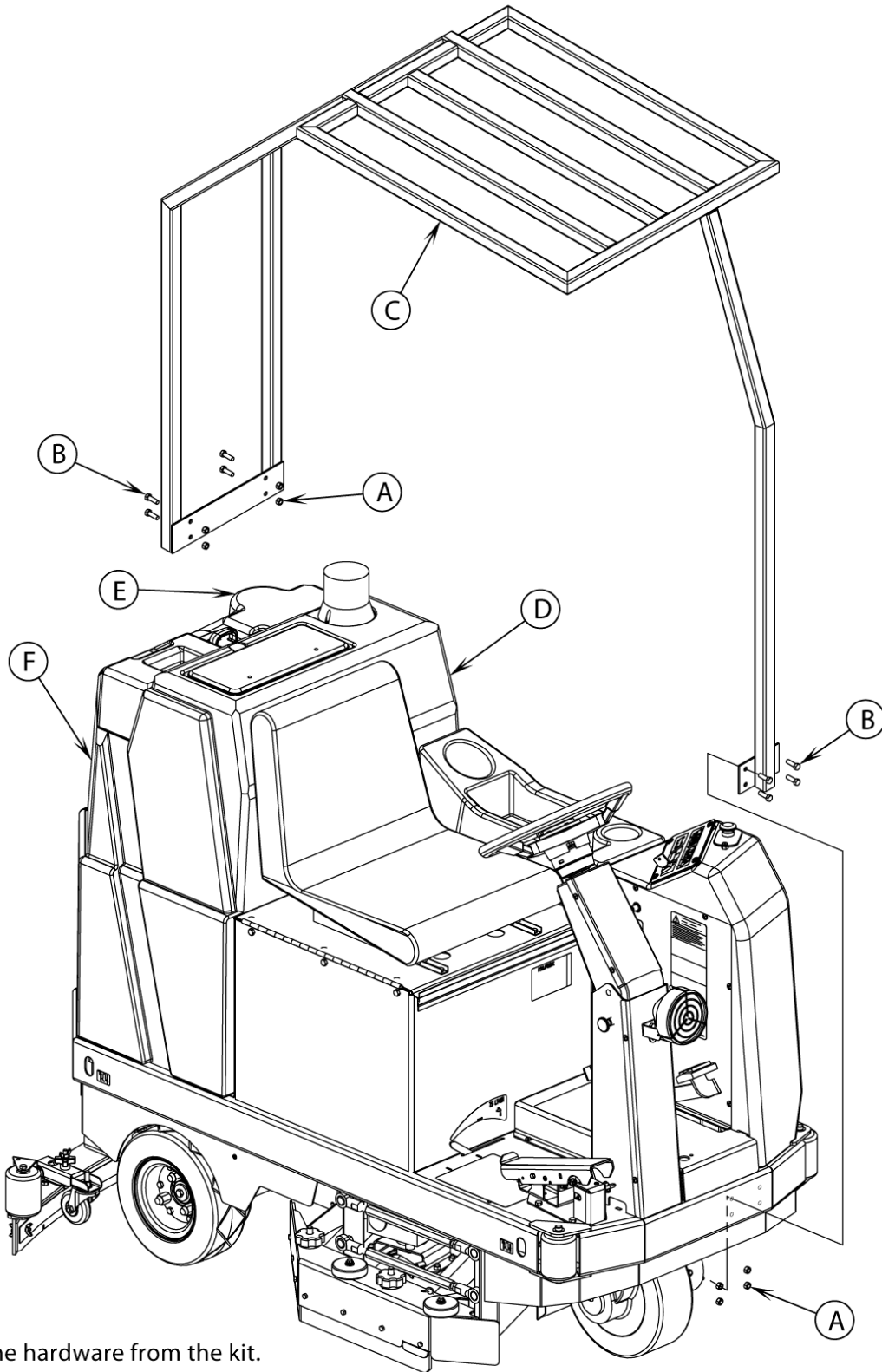
Pos.	Numer Produktu	ilość	Opis	Notes
00	56407475	1	BRUSH POLYPROPYLENE 32-RED	
00	56407477	1	BRUSH 80 GRIT 32-BLACK	
00	56410293	1	SZCZOTKA POLIPROPYLENOWA 38-CZERWONA	
00	56410297	1	SZCZOTKA 80 ŚCIERNA 38 CZARNA	
00	56410294	1	SZCZOTKA MIĘKKA NYLONOWA 38-ŻÓŁTA	
00	56407473	1	BRUSH SOFT NYLON 32-YELLOW	
00	56410298	1	SZCZOTKA 46 ŚCIERNA 38-POMARAŃCZ/BRAZ	
00	56410295	1	SZCZOTKA TWARDA NYLONOWA 38-NATURALNA	
00	56407478	1	BRUSH 46 GRIT 32-ORANGE/BROWN	
00	56410296	1	SZCZOTKA 180 ŚCIERNA 38-NIEBIESKI/SZARY	
00	56407476	1	BRUSH 180 GRIT 32-BLUE/GREY	
00	56407474	1	BRUSH HARD NYLON 32-NATURAL	



Pos.	Numer Produktu	ilość	Opis	Notes
	56407236	1	HEADLIGHT KIT	[1]
01	56409239	1	HEADLIGHT-LED-48VDC	[2]
02	56409557	1	GUARD HEADLIGHT	
03	56003179	1	SCR HEX THD/HD M8-1.25X20MM	
04	56003389	1	NUT HEX NYL-LOC M8X1.25	
05	56321540	1	GROMMET .500 HC42D	
06	56172230	2	TERM. .250 INS. TAB	

## Part Notes:

- [1] - ACC. FOR OBSOLETE MACHINE
- [2] - NON-SALEABLE USE 56314313



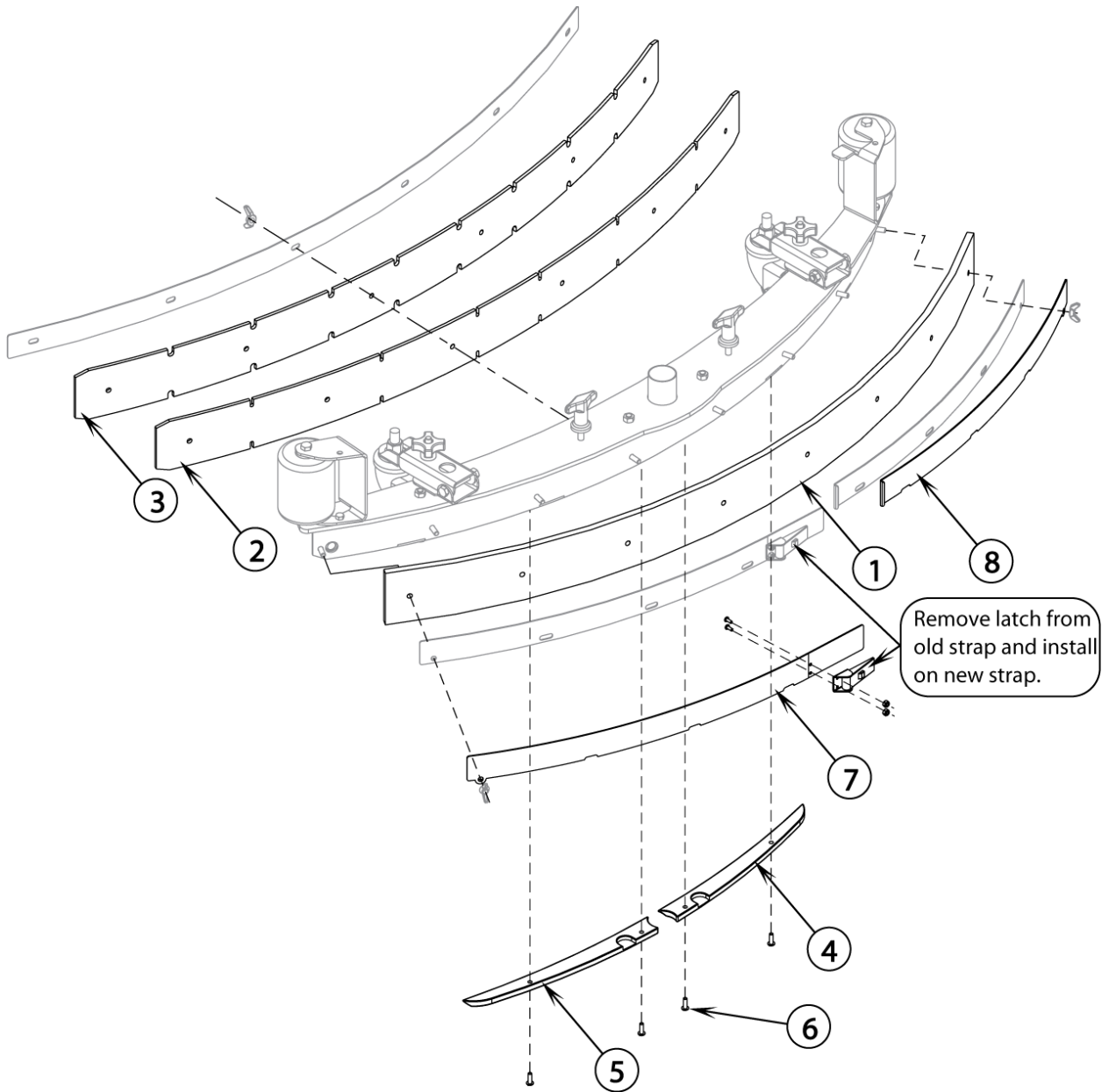


---

Pos.	Numer Produktu	ilość	Opis	Notes
	56407450	1	OVERHEAD GUARD KIT	[1]
0A	56003406	8	NUT HEX NYL LOC M10 X 1.50	
0B	56003439	8	SCR HEX SS M10-1.50X30MM	
0C	56407463	1		

## Part Notes:

[1] - EXPIRED ON 8/3/2010



Pos.	Numer Produktu	ilość	Opis	Notes
	56410467	1	SQUEEGEE REPLACEMENT KIT	[1]
	56410468	1	SQUEEGEE REPLACEMENT KIT	
01	56407586	1	BLADE SQUEEGEE GUM RR	[2]
01	56410458	1	BLADE SQGEE RED GUM RR	[3]
02	56407584	1	BLADE SQUEEGEE GUM FR	[2]
02	56410459	1	BLADE SQGEE RED GUM FR	[3]
03	56407585	1	BLADE SQUEEGEE GUM FR	[4]
03	56410460	1	BLADE SQGEE RED GUM FR	[5]
04	56410416	1	INSERT SQUEEGEE LEFT	[6]
05	56410417	1	INSERT SQUEEGEE RIGHT	[6]
06	56002896	4	SCR PAN PHIL SS 10-24 X .62	
07	56407297	1	STRAP REAR	[4]
08	56407299	1	STRAP REAR	[4]

## Part Notes:

- [1] - COMPLEXITY REDUCTION
- [2] - KIT 56410467
- [3] - KIT 56410468
- [4] - KIT 56410467  
GUARANTEE DATE EXPIRED
- [5] - KIT 56410468  
GUARANTEE DATE EXPIRED
- [6] - GUARANTEE DATE EXPIRED

