

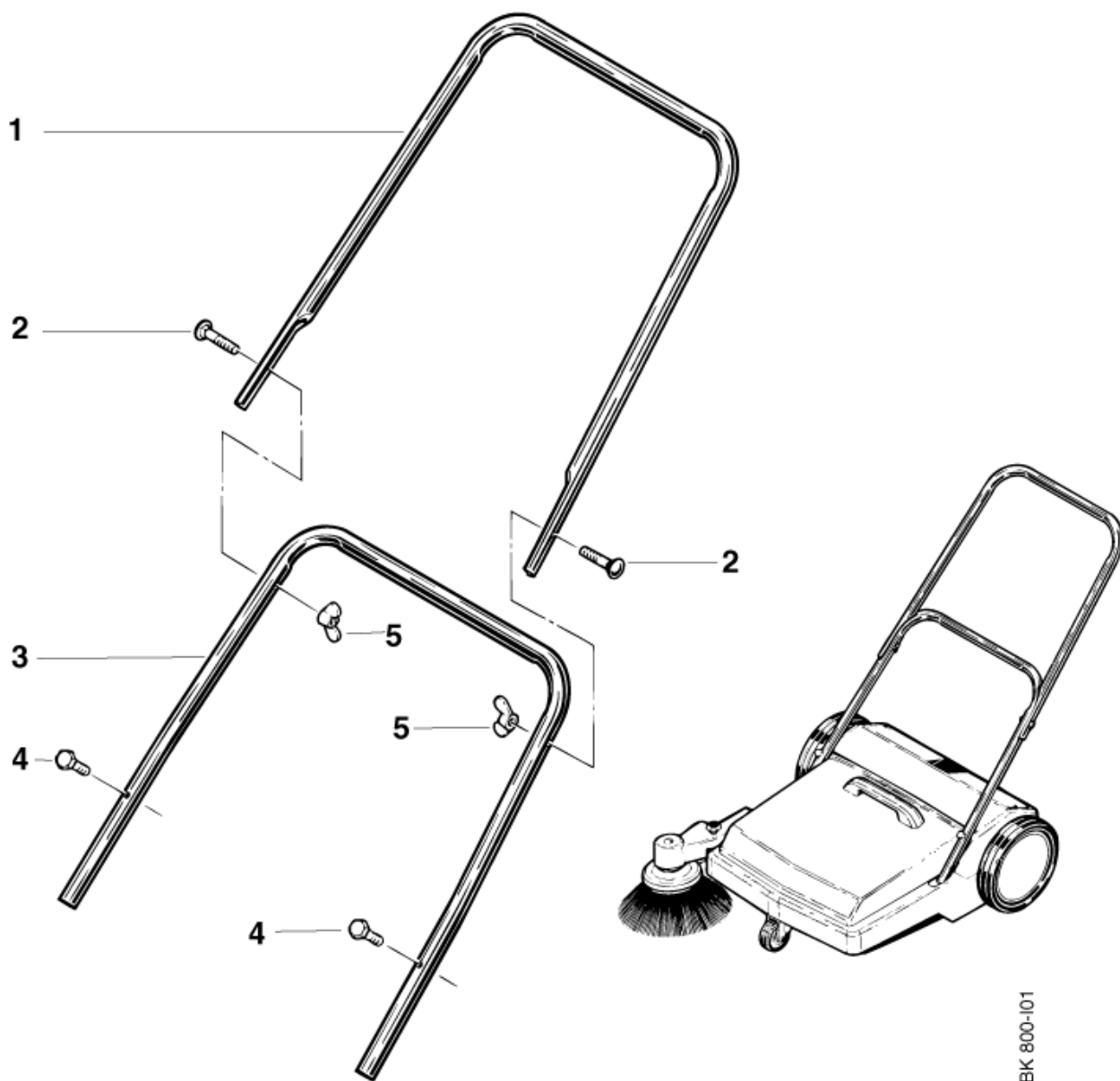
PARTS LIST



2017.04.12

TABLE OF CONTENTS

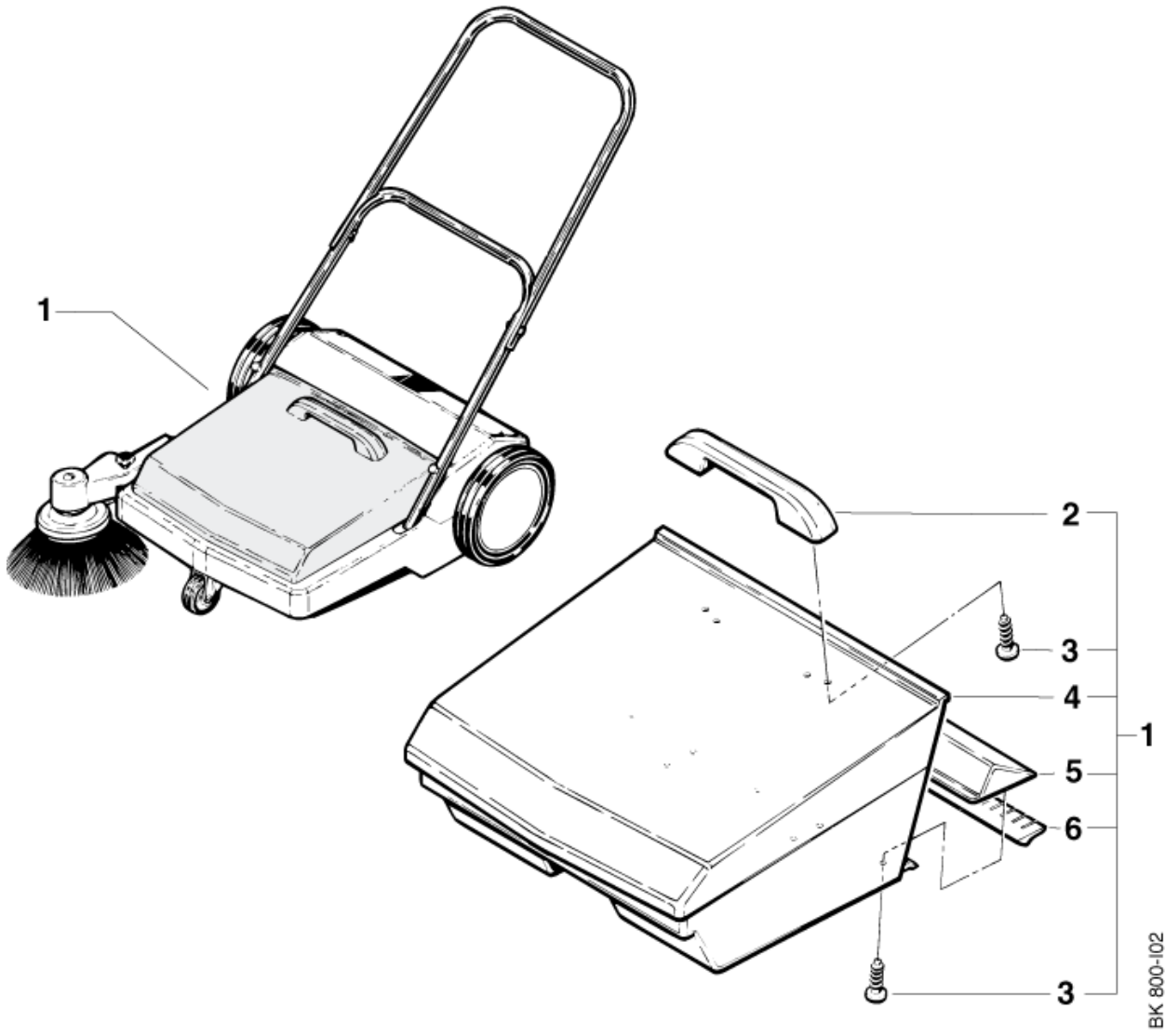
Push handle	1
Container	3
Side brush	5
Chassis	7
Wheels. Main brush	9



Pos.	Numer Produktu	ilość	Opis	Notes
01	43190	1	BOW	[1]
02	8885	2	FLAT HEAD SCREW M6X40 SIN 603 ZN	[1]
03	42965	1	BOW	[1]
04	3285	2	HEX. SCREW M6X35 ISO 4017 ZN	[1]
05	11722	2	NUT FLG- M6 DIN315	[1]

Part Notes:

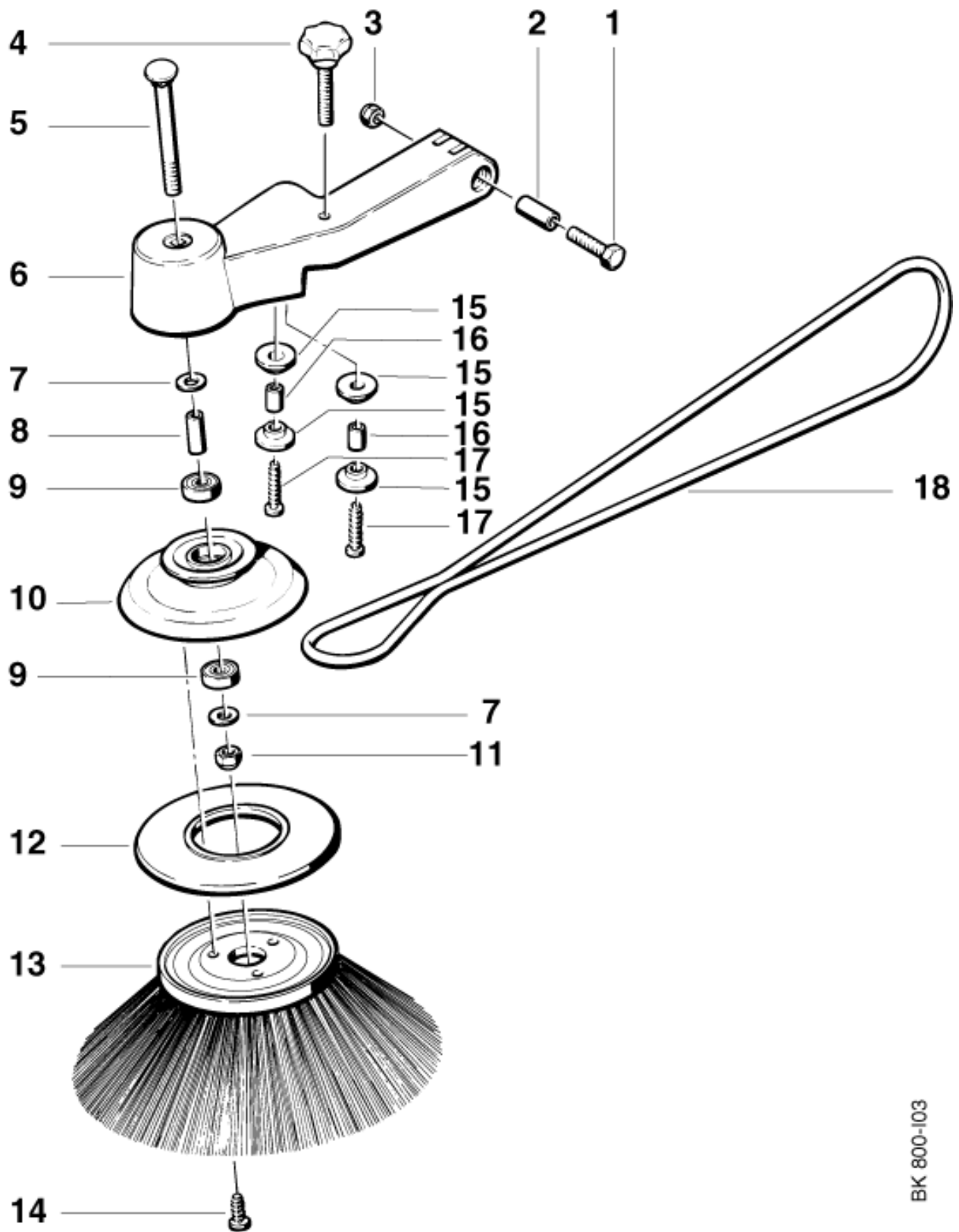
[1] - GUARANTEE DATE EXPIRED



Pos.	Numer Produktu	ilość	Opis	Notes
01	67095	1	CONTAINER BK 800 COMP. ALT	[1]
02	43191	1	BOW-TYPE HANDLE BK 800 KU	[1]
03	10028	11	SRUBA KA50X14 WN1411	
04	67094	1	ZBIORNIK BK 800 ALTO CLARKE	[1]
05	43192	1	BRACKET	[1]
06	43285	1	RUBBER LIP	

Part Notes:

[1] - GUARANTEE DATE EXPIRED

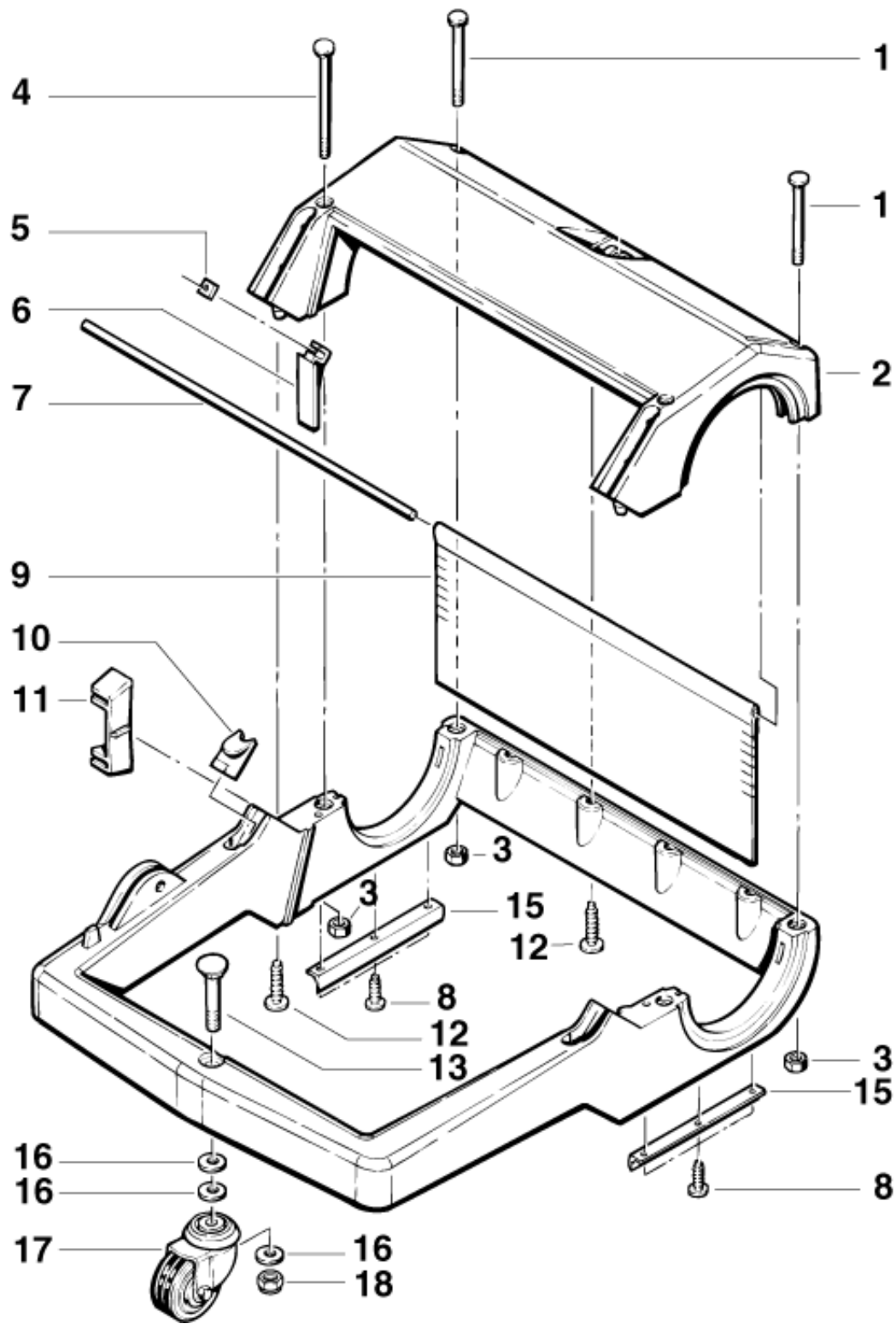


BK 800-103

Pos.	Numer Produktu	ilość	Opis	Notes
01	3213	1	SCREW M8X40	
02	43194	1	PIPE	[1]
03	1800515	1	Lock Nut M8 - 8 A2K DIN 985	
04	43286	1	STAR KNOB M8X55 DIN 6336 ST/ZN	
05	43289	1	ROUND-HEAD SCREW M10X110 DIN 603 ZN	[1]
06	43193	1	BRACKET	[2]
07	2767	2	WASHER 10.5 X 20 X 2	
08	43290	1	PIPE	[1]
09	20938	2	BEARING WAS 2809	[1]
10	43292	1	COVER BRUSH	[1]
11	8952	1	HEX M10 LOCK NUT NYLON INSERT ISO 10511	
12	43293	1	DEFLECTOR PLATE	[1]
13	42321	1	Szczotka boczna	
14	43342	3	SCREW EJOT- KA60X16 WN	[1]
15	43287	4	WASHER	[1]
16	43288	2	SLEEVE	[1]
17	43345	2	EJOT SCREW KA60X35 WN1411 A2	[1]
18	22423300	1	BELT. SW 655 S	

Part Notes:

- [1] - GUARANTEE DATE EXPIRED
 [2] - STOCK COVERS GUARANTEE

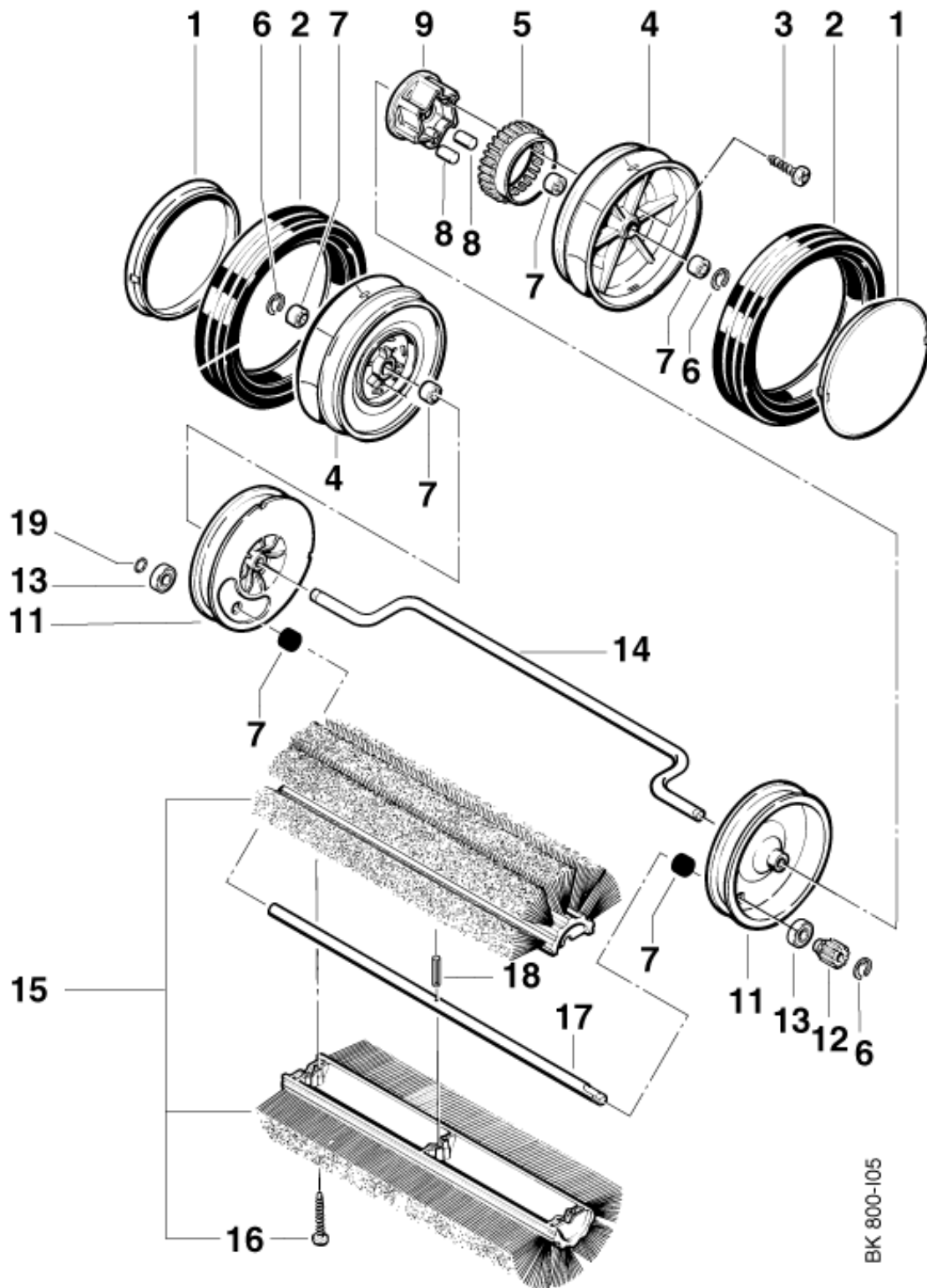


BK 800-I04

Pos.	Numer Produktu	ilość	Opis	Notes
01	43304	2	ROUND-HEAD SCREW M6X110 DIN 603 ZN	[1]
02	47574	1	COVER BK800	[1]
03	3136	4	HEXAGON NUT M6	
04	43305	2	ROUND-HEAD SCREW M6X140 DIN 603 ZN	[1]
05	43299	2	SQUARE THIN NUT M6DIN 562	
06	43297	2	CAGE FOR NUT	[1]
07	43303	1	SUPPORT FOR GASKET	[1]
08	10028	6	SRUBA KA50X14 WN1411	
09	43302	1	MUD FLAP	[1]
10	43307	2	CAP	[1]
11	43308	1	GUIDE	[1]
12	43343	6	EJOT SCREW KA60X20 WN1411 A2	[1]
13	43309	1	ROUND-HEAD SCREW M10x75 DIN 603 ZN	[1]
15	43306	2	ANGLE SHORT BK800	[1]
16	2767	3	WASHER 10.5 X 20 X 2	
17	42964	1	ROLKA PROWADZĄCA	
18	8952	1	HEX M10 LOCK NUT NYLON INSERT ISO 10511	

Part Notes:

[1] - GUARANTEE DATE EXPIRED



BK 800-105

Pos.	Numer Produktu	ilość	Opis	Notes
01	43311	2	CAP BK800	[1]
02	43312	2	TYRE FOR WHEEL BK 800	[1]
03	43344	3	EJOT SCREW KA60X25 WN1411 A2	[1]
04	43104	2	WHEEL	[2]
05	43314	1	GEAR RING	
06	11544	3	SAFETY RING WAS 8878	[1]
07	43313	6	SLIDING BEARING D12 X D20	[1]
08	43316	6	DRIVING PEG	
09	43315	1	FREE-WHEELING HUB	[1]
11	43319	2	INSERT WHEEL BK800	[1]
12	47566	1	PINION	
13	20938	2	BEARING WAS 2809	[1]
14	47570	1	SHAFT	[1]
15	42320	1	BRUSH ROLLER ASSEMBLY BK	
16	43341	6	SCREW 5X30	
17	47572	1	SPINDLE BK800	[1]
18	40896	1	SPRING-TYPE STRAIGHT PIN	[1]
19	5639	1	CLAMPING RING 10X2	

Part Notes:

- [1] - GUARANTEE DATE EXPIRED
 [2] - STOCK COVERS GUARANTEE

