

PARTS LIST



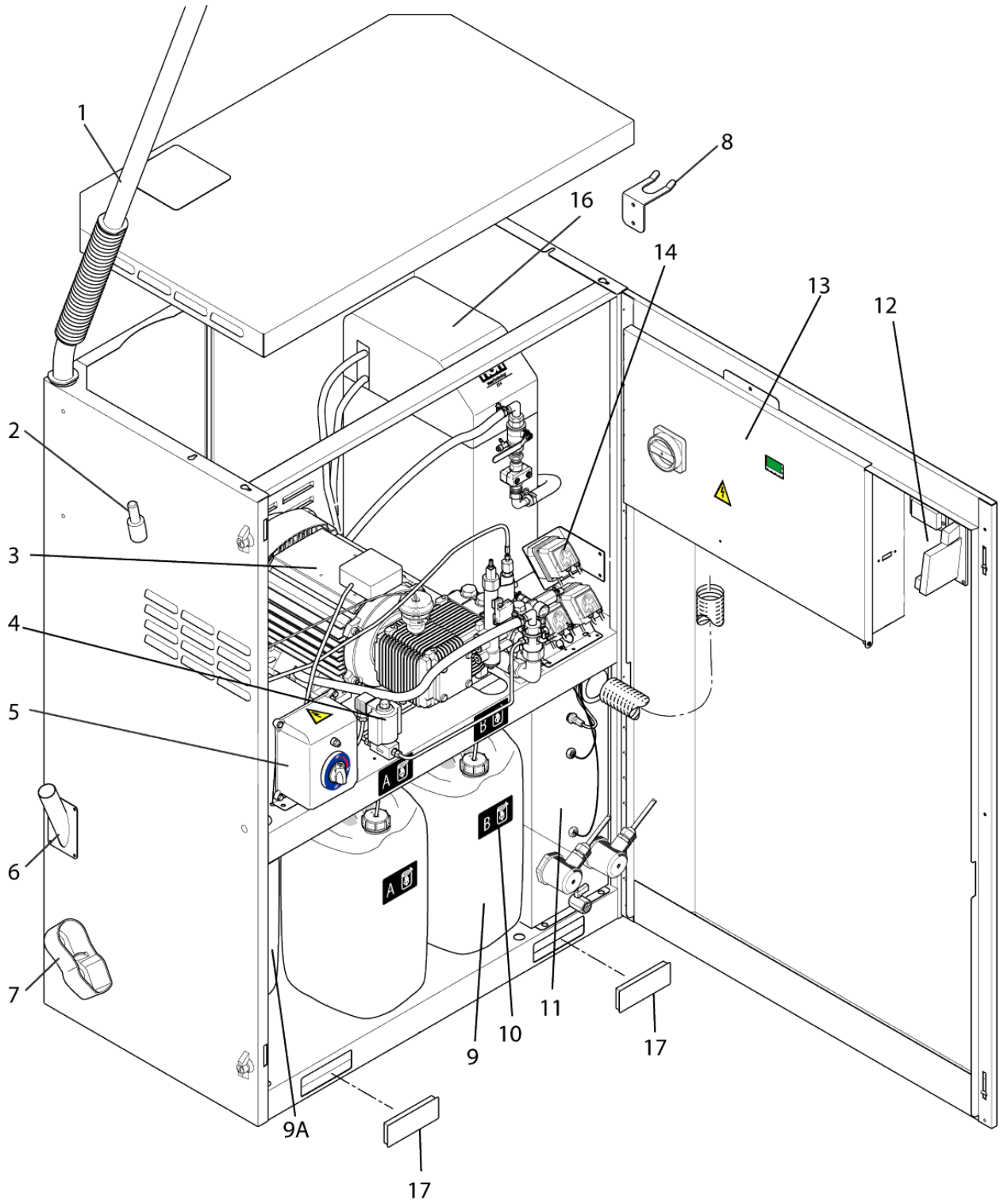
2015.08.28

www.nilfisk-alto.com

Nilfisk
ALTO
works for you

TABLE OF CONTENTS

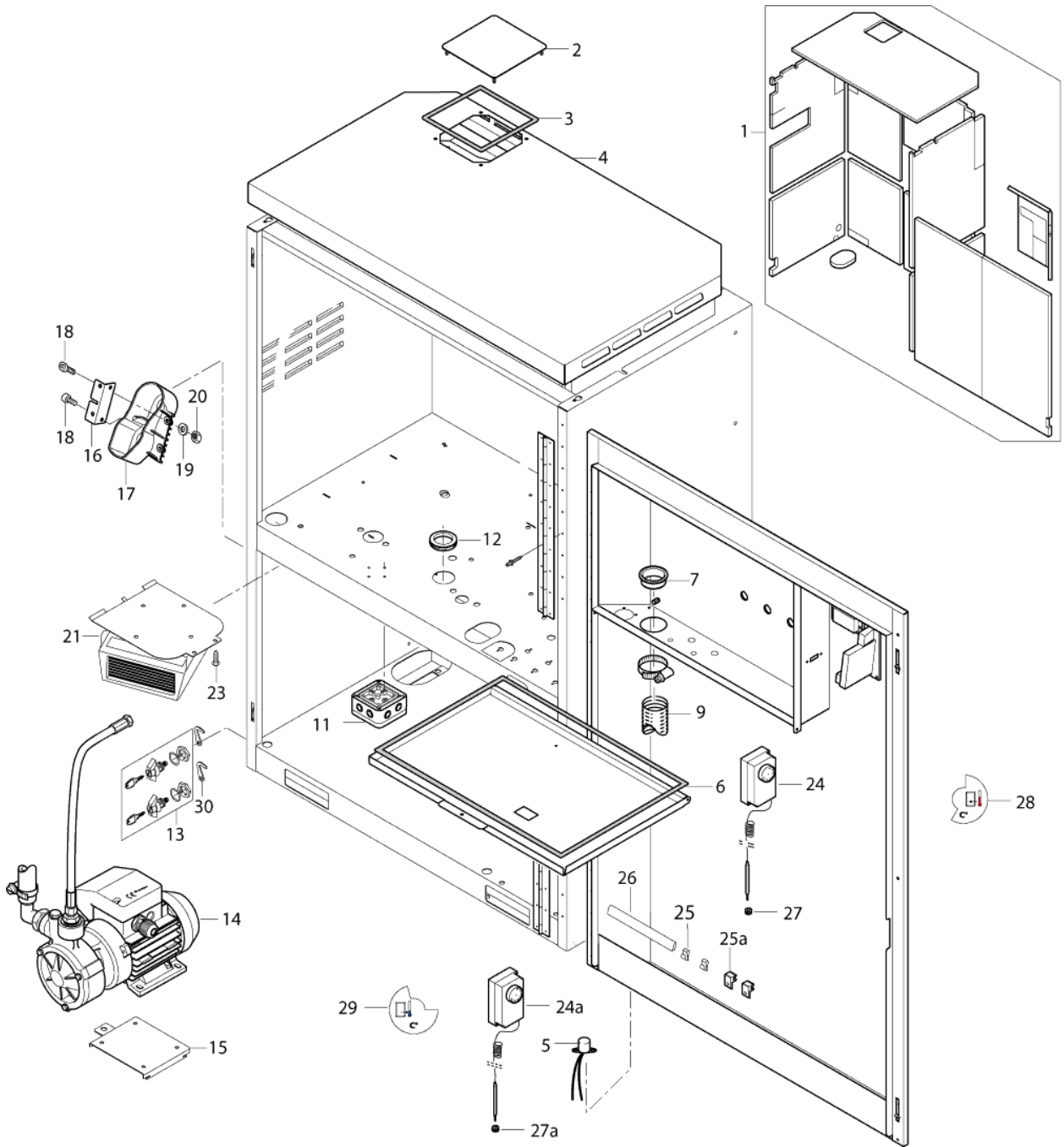
Overview 1	1
Overview 2	3
Chemical pumps	5
Electrical components	7
Door with coin acceptor	11
Unloader (a) 5	13
Unloader (b) 5	15
Valve block 5	17
Pump kits 5	19
Motor 5	21
Electric box	23
Pump and flow reduction	25
Water softening equipment	27
Heating tank	29
Wash boom	33
Default accessories	35
Recommended spare parts	37
Auto Booster brush 2013	41



Pos.	Numer Produktu	ilość	Opis	Notes
01		1	Wash boom	[1]
02	107313069	1	BRUSH HOLDER. MACHINED	
03		1	Motor pump unit	[2]
04		1	Flow recuction	[3]
05		1	Elbox	[4]
06	107313067	1	LANCE CARRIER. WELDED	
07		1	Support for spray lance	[5]
08	107313077	1	BRUSH HOLDER	[6]
09	2005718	1	CONTAINER 25L/27.5L WO/CAP	
09A	104601164	1	CAN 30/33L	
10	107319150	2	LABEL FOR CHEMICAL A	
10	107319152	3	LABEL FOR CHEMICAL C	[6]
10	107319151	2	LABEL FOR CHEMICAL B	
11		1	Heating tank	[7]
12		1	Coin acceptor	[8]
13		1	Electric parts	[9]
14		1	Chemical pumps	[10]
16		1	Water softening equipment	[11]
17	107318058	2	COVER PLATE COMPL.	

Part Notes:

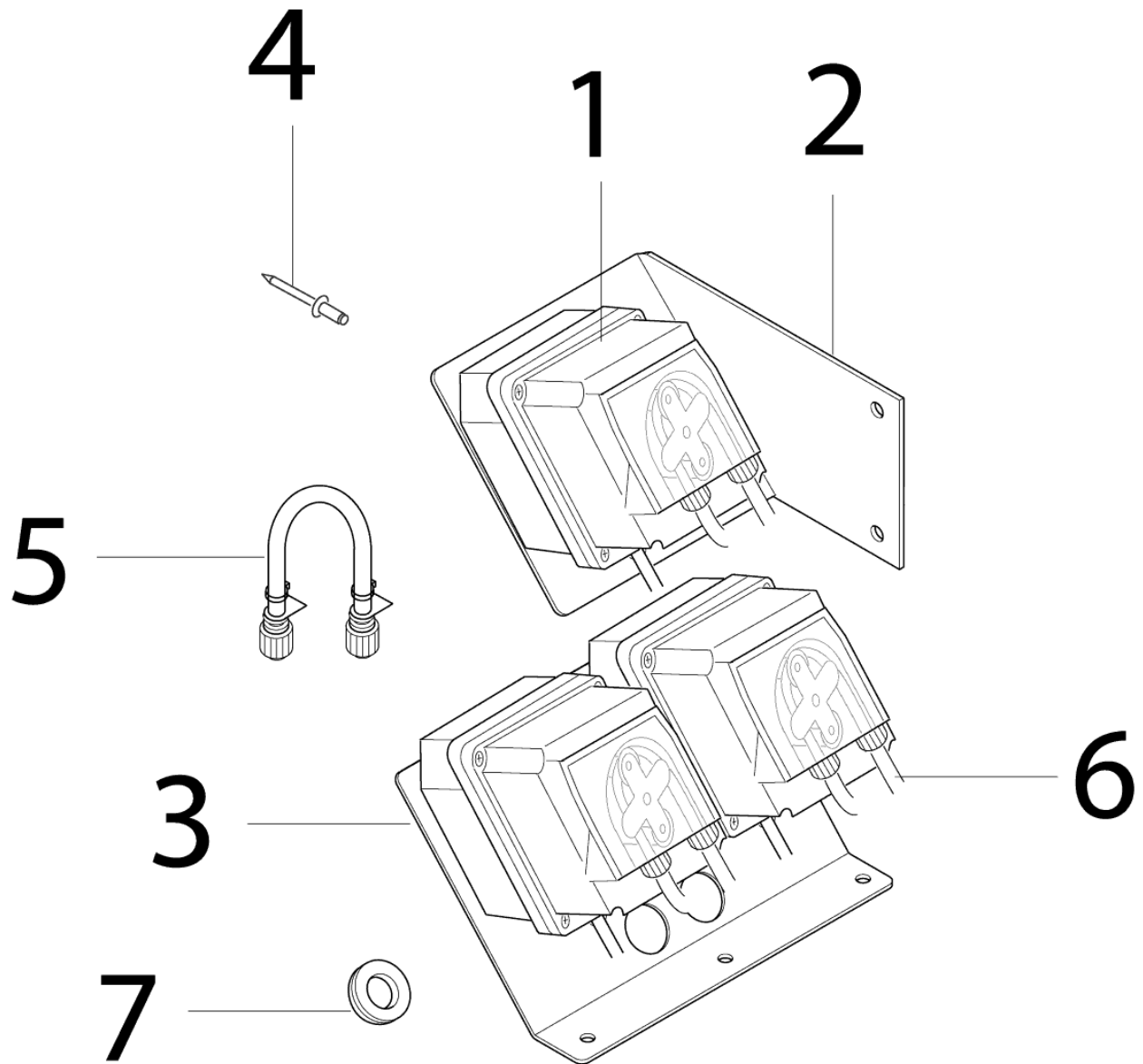
- [1] - Wash boom
See Wash boom
- [2] - Motor pump unit
See Motor pump unit (a) 5
- [3] - Flow reduction
See Pump and flow reduction
- [4] - El-box
See El-box
- [5] - Support for spray lance
- [6] - STOCK COVERS GUARANTEE
- [7] - Heating tank
See Heating tank
- [8] - Coin acceptor unit
See Door with coin acceptor
- [9] - Electric parts
See Electric parts
- [10] - Chemical Pumps
See Chemical pumps
- [11] - Water softening equipment
See Water softening equipment



Pos.	Numer Produktu	ilość	Opis	Notes
01	107318029	1	ISOLATION. COMPLETE. AUTO/TRUCK	
02	107313073	1	COVER PLATE FOR CHIMNEY	[1]
03	106408238	1	ADHESIVE TAPE 15X2 MEWA RUBBER- 2 METERS	
04	107313231	1	CABINET TOP	
05	3807773	1	THERMOSTAT 2455RBV-117	[2]
06	5218754	1	RUBBER PROFIL D14X12 ADHESIVE BLACK	
07	107313243	1	JUNCTION-PIECE	[3]
09	5226305	1	FLEXIBLE HOSE 76/ 60 GREY	
11	103822013	1	DISTRIBUTOR BOX AUTO BOOSTER	
12	103004331	1	SLEEVE PVC 45/ 60	
13	101814750	1	2X LOCK AND 4X KEY	
14		1	Pump	[4]
15	107318143	1	BRACKET	
16	107313060	1	SUPPORT FOR LANCE	[5]
17	107313257	1	SUPPORT FOR LANCE. MACHINED	[5]
18	1814375	3	SCREW M6X12 A2 ISO 7380	[5]
19	1813807	3	WASHER 6.4/18.0X1.6 A ISO7090 VA	[5]
20	33158	3	LOCK NUT M6 A2 DIN 985	[5]
21	107316095	1	FAN HEATER. COMPLETE	
23	4814109	4	SCREW 8X16 STAINLESS STEEL	
24	103822056	1	THERMOSTAT -3 5 - +35DGC	
24a	103822056	1	THERMOSTAT -3 5 - +35DGC	[6]
25a	104601170	1	CLIP 6 PLASTIC	[6]
26	5218090	1	EDGE RAIL 9X6.5	
27	5172	1	RUBBER BUSH	
27a	5172	1	RUBBER BUSH	[6]
28	107319168	1	LABEL F. SAFETY THERMOSTAT HOT	[6]
29	107319169	1	LABEL F.SAFETY THERMOSTAT COLD	[6]
30	107313217	1	HOOK-LOCK	

Part Notes:

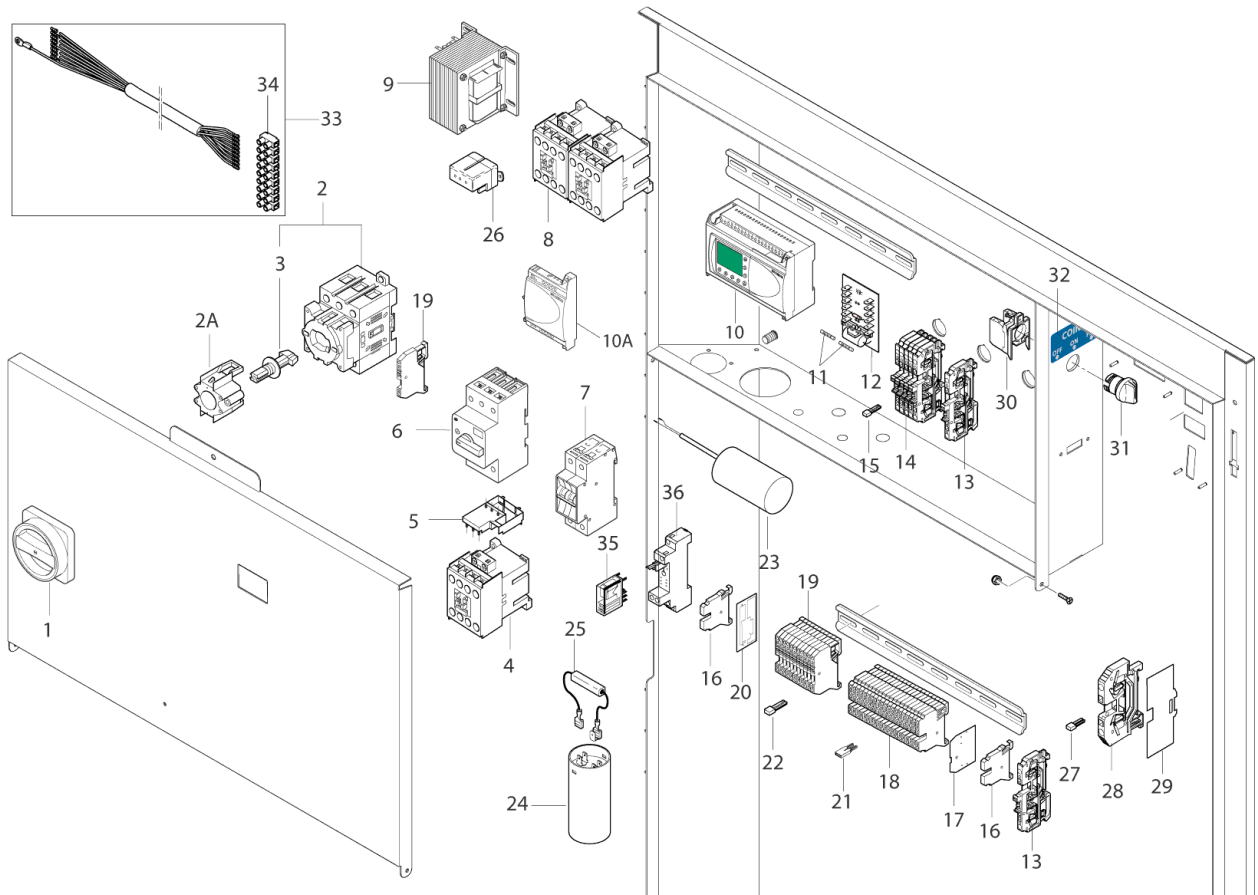
- [1] - USED IN PRODUCTION
- [2] - up to 26. april 2006
- [3] - CLOSED WHEN STOCK EMPTY
Used before 2011
- [4] - Pump
See Pump and flow reduction
- [5] - 7
- [6] - from 27. april 2006



Pos.	Numer Produktu	ilość	Opis	Notes
01	103822213	3	CHEMICAL PUMP 4L/H	[1]
02	107313287	1	SUPPORT FOR CHEMICAL PUMP	
03	107313288	1	SUPPORT FOR CHEMICAL PUMP	
04	1814128	11	BIFURCATED RIVET 4X10.3 1453	
05	103822265	3	HOSE FOR CHEMISTRY PUMP	[2]
05	102406658	1	WEŻYK POMPY	[3]
06	107318062	1	HOSE SILICONE 6/ 4X5M	
07	3001427	2	CABLE GLAND	

Part Notes:

- [1] - new version from week 33 2007
- [2] - From week 33 2007
- [3] - Up to week 33 2007 - See SPW 38



Pos.	Numer Produktu	ilość	Opis	Notes
01	3830121	1	KNOB FOR MAIN SWITCH	
02	103821908	1	MAIN SWITCH 63A	
02	103821919	1	MAIN SWITCH 25A	[1]
02A	103821907	1	SHAFT FOR MAIN SWITCH 194L-G2853	
03	103821960	1	HANDLEBAR FOR MAIN SWITCH 25 A	
04	103822306	1	CONTACTOR CJX2-D18 18A 24V 3P+NO	[2]
04	103822312	1	CONTACTOR CJX2-D25 25A 24V 3P+NC	[3]
04	103822313	1	CONTACTOR CJX2-D25 25A 24V 3P+NO/US	[4]
04	103822307	1	STYCZNIK	[5]
05	103821899	1	CONNECTION MODUL 16/23AMP	[6]
05	103822327	1	THERMAL RELAY 12-18AMP	[7]
06	3817319	1	OVERLOAD CUT-OUT KTA 3-25-16	[6]
06	103822262	1	OVERCURRENT RELAY 3-POL 20A 10KA	[8]
06	103821898	1	OVERCURRENT RELAY 10-16A	[9]
06	103822260	1	OVERCURRENT RELAY 3-POL 16A 10KA	[10]
06	103821903	1	OVERCURRENT RELAY 18-25A	[11]
07	103822011	1	Safety device AEG C10 1P-N	[12]
07	103822012	1	SAFETY DEVICE 3X230V	[13]
08	103822306	1	CONTACTOR CJX2-D18 18A 24V 3P+NO	[14]
09	103821847	1	CONTROL TRANSFORMER 230V 24/19	
10	106426081	1	PLC W/ALTO-PROGRAM AUTO BOOSTER EUR	[15]
10	106426090	1	PLC W/ALTO-PROGRAM AUTO BOOSTER D	[5]
10	106426092	1	PLC W/ALTO PROGRAM AUTO B. D AUSTRIA	[16]
10	106426091	1	PLC W/ALTO-PROGRAM AUTO BOOSTER E	[17]
10	106426093	1	PLC W/ALTO PROGRAM AUTO BOOSTER E9	[18]
10	106426094	1	PLC W/ALTO-PROGRAM AUTO B. NORWAY	[19]
10A	103821948	1	EXPANDER AL2-4EYR	
11	3812385	1	FUSE D5x20 6.3A VISCOUS US	
12	106420051	1	PŁYTA BEZPIECZNIKÓW	
13	103822034	2	INTERRUPTER TERMINAL 280-868	[20]
14	103822031	5	INTERRUPTER TERMINAL 0.08-2.5 400V/16A	[20]
15	103822033	1	JUMPER WAGO 280-402	[20]
16	103821922	3	DIN-END STOP WO/SCREW WAGO 249-116	
17	103821921	1	END PLATE	
18	103821920	29	WIRE TERMINAL	
19	103821967	8	WIRE TERMINAL WAGO281 800V 4MM2	
20	103821968	1	END PLATE WAGO 4MM2	
21	103821923	1	JUMPER 2-POL.	
22	103821969	1	JUMPER	
23	301001017	1	CAPACITOR 60MF 450V W/ FERRULES	[21]
24	301000403	1	KONDENSATOR	[21]
25	301000402	1	RESISTANCE 15KOHM/7W	[21]
26	11060	1	STARTER RELAY 220V AC	[21]
27	103822051	1	JUMPER WAGO 6Q	[21]
28	103822050	2	WIRE TERMINAL 6MM2 WAGO 282	[21]
29	103822052	1	END PLATE WAGO 6Q	[22]
30	103822074	1	CONTACT ELEMENT 1NO & 1NC	
31	103822073	1	ROTARY SWITCH 3 POSITION SHORT KNOB	
32	107319165	1	LABEL FOR COINER ON/OFF/FREE	[20]
33	107318161	1	MOTOR CABLE WITH TYCO PLUG TRUCK/AUTO	
34	101117839	1	TERMINAL PLUG AND TERMINAL PINS	
35	103821912	1	MINI RELAY 1P 230V	[23]
36	103821914	1	BASE FOR MINI RELAY 1POL	[23]

Part Notes:

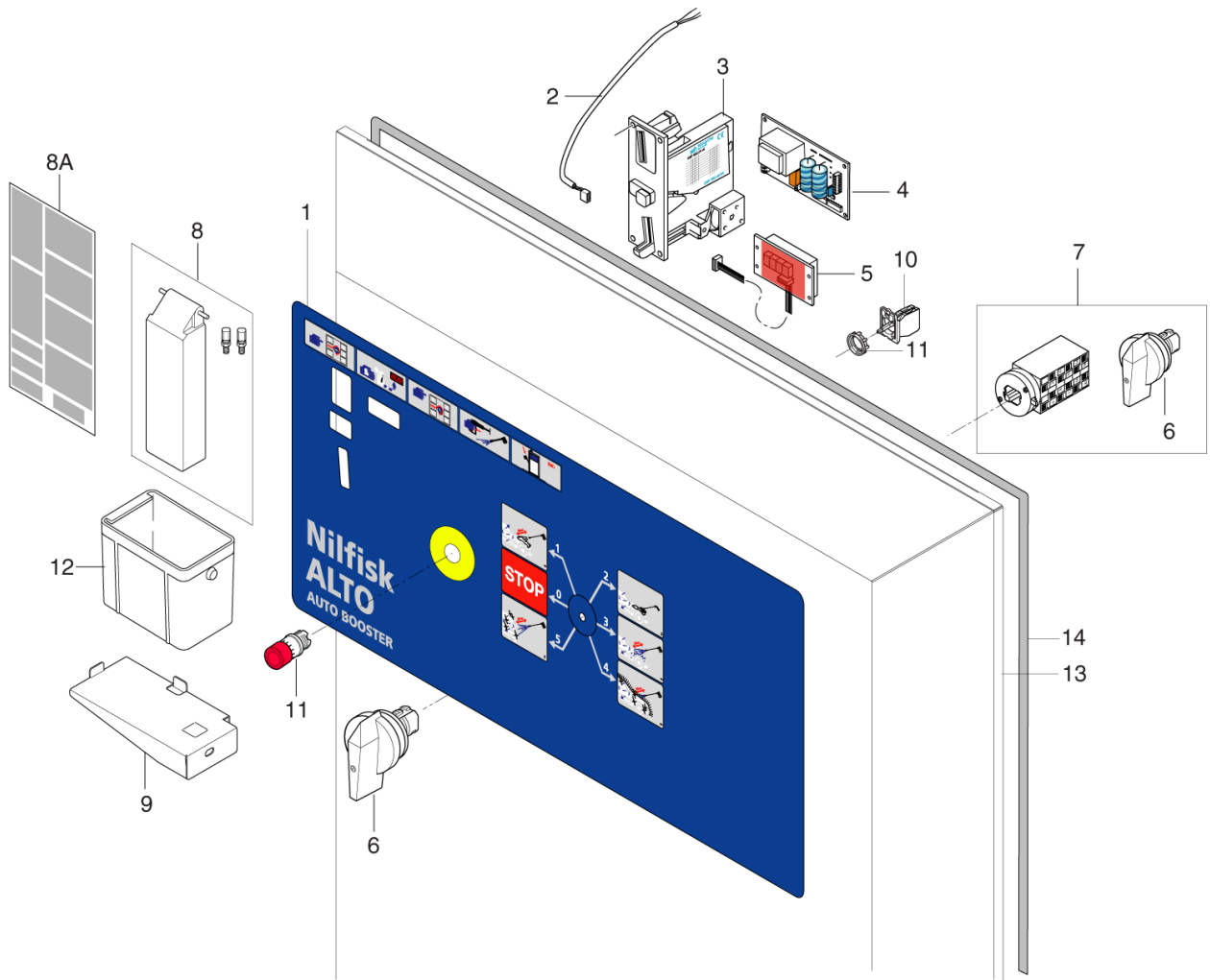
- [1] - 5-20D - 5-33D
 [2] - 400-440V, 1X230V (5-22E)
 [3] - 3x230V 50Hz
 [4] - Only E

- [5] - 5-20D
- [6] - Up to week 34 2009
- [7] - From week 34 2009
- [8] - E12, 3x400-440V from 10.2007
USED IN PRODUCTION
- [9] - 400-440V, 1X230V (5-22E), up to week 34 2009
- [10] - E9, 1x230V from 10.2007 - 10.2010
STOCK COVERS GUARANTEE
- [11] - 3X230V, up to week 34 2009
- [12] - 400-440V, 1x230V (5-22E) from 10.2007
- [13] - 3X230V
- [14] - 3X230V- 4 STK/PC
- [15] - 5-20D, EUR (w/heating element) - from 26.04.06
- [16] - * AUSTRIA/ÖSTERREICH
- [17] - 5-20E
- [18] - 5-22E
- [19] - 5-33D, *Norge
- [20] - STOCK COVERS GUARANTEE
- [21] - 1X230V (5-22E)
- [22] - 1X230V (5-22E)
STOCK COVERS GUARANTEE
- [23] - (5-22E)



Comments:

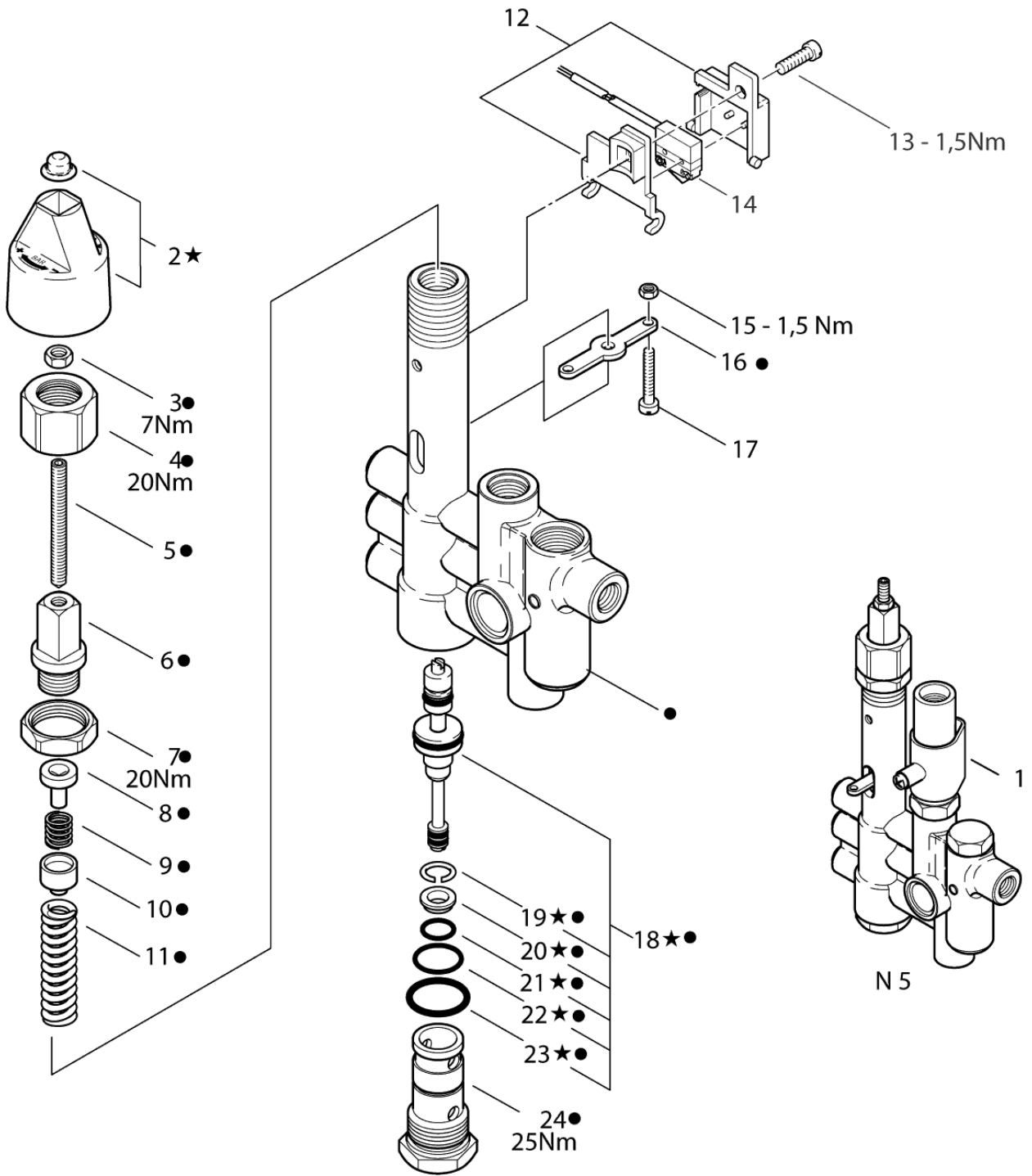




Pos.	Numer Produktu	ilość	Opis	Notes
1	107319220	1	-07-c LABEL NILFISK/ALTO	
1	107319224	1	FRONT LABEL NILFISK/ALTO IXTAR	[1]
1	107319222	1	FRONT LABEL NILFISK/ALTO NORWAY	[2]
2	107318046	1	WIRE FOR TIMER/COINER AUTO BOOSTER	
3	107318035	1	COIN ACCEPTOR GBP EURO SCF	[3]
3	107318036	1	COIN ACCEPTOR NOK DKK SEK	[4]
4	107318040	1	TIMER FOR COIN	
5	107318045	1	DISPLAY FOR TIMER W/CABLE AUTO	
6	103822019	1	PRZEŁĄCZNIK	
7	103822019	1	PRZEŁĄCZNIK	
8	103822028	1	OBUDOWA	
8A	107319145	1	LABEL KIT FOR COIN UNIT	
9	107313275	1	FITTING FOR COIN BOX	[5]
10	103822030	1	CONTACT ELEMENT	[6]
11	103822029	1	EMERGENCY SWITCH	[7]
12	33421	1	COIN BOX	
14	5218754	1	RUBBER PROFIL D14X12 ADHESIVE BLACK	

Part Notes:

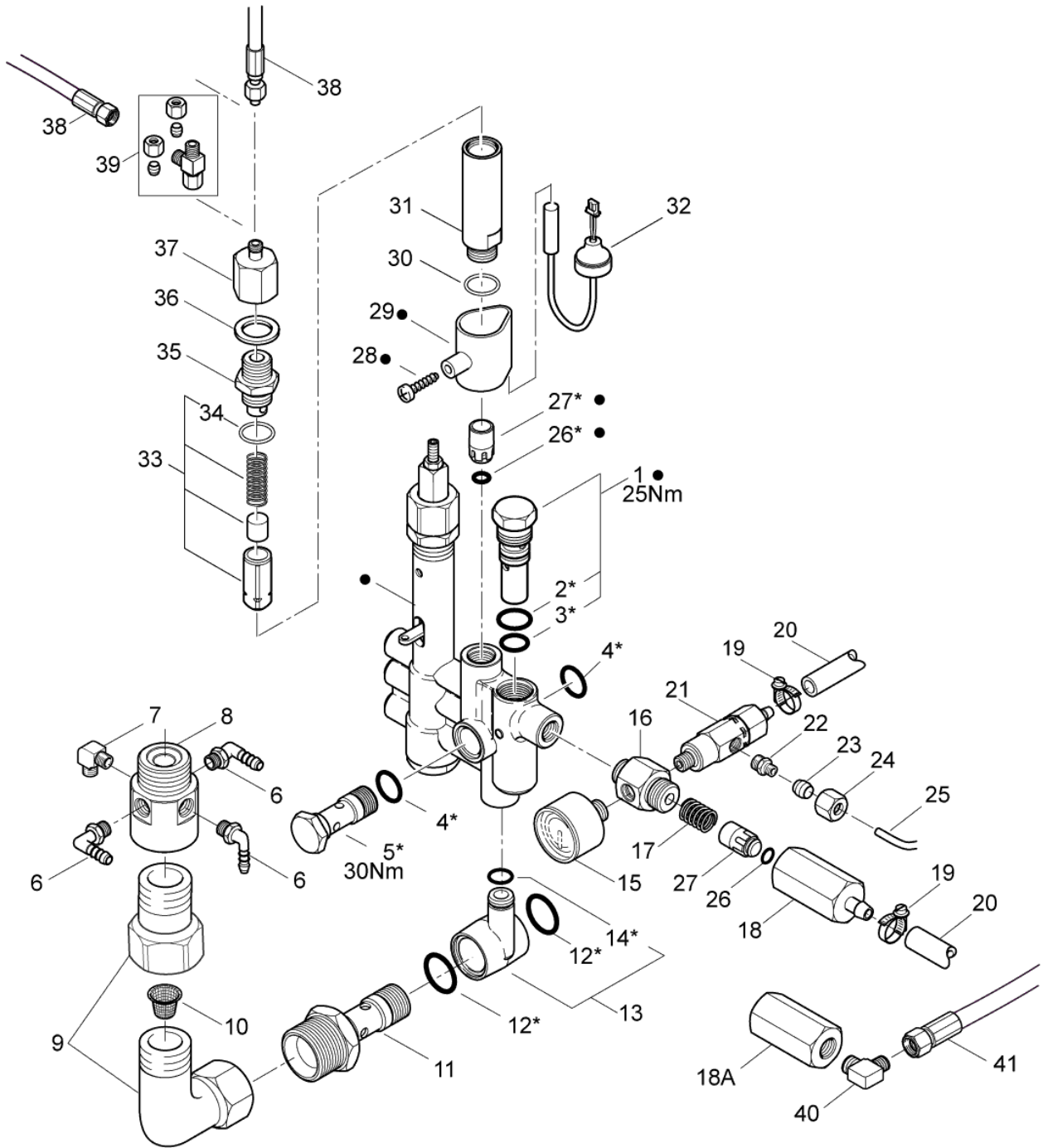
- [1] - IXTAR
STOCK COVERS GUARANTEE
- [2] - * NO
STOCK COVERS GUARANTEE
- [3] - Ç
- [4] - NOK, DKK, SEK
- [5] - STOCK COVERS GUARANTEE
- [6] - OPTION
- [7] - OPTION
CLOSED WHEN STOCK EMPTY



Pos.	Numer Produktu	ilość	Opis	Notes
0-	63056	1	REPAIR KIT DISCHARGER VALVE	[1]
01	301000902	1	DISCHARGER VALVE NEPTUNE	[2]
02	62397	1	ROTARY KNOB	
03	3136	1	HEXAGON NUT M6	
04	62710	1	UNION NUT M24X1.5X21	
05	62711	1	HEADLESS SCREW M6X60 DIN 914 ST/ZN	
06	62712	1	HOLLOW SCREW M16X1X9 4KT SW12X40 ZN	
07	62696	1	HEXAGON NUT M24X1.5X6	
08	62695	1	SPRING SUPPORT	
09	62713	1	SPRING	
10	62694	1	SPRING SUPPORT	
11	40972	1	SPRING 3.5X10.5X54	
12	62401	1	OBUDOWA MIKROWŁACZNIKA	
13	3349	1	ŚRUBA M5X16	
14	301000731	1	MIKROWŁACZNIK 250V	
15	2759	1	HEXAGON NUT M4	
16	62717	1	CONTACT STUD	
17	5076	1	SCREW M4X25	
18	64314	1	ZESTAW NAPRAWCZY	
19	909100001	1	PIERSCIEN Ø14 B DIN 7993	
20	62708	1	GNIAZDO ZAWORU Ø8.5/Ø11.4/Ø13.9x4	
21	49461	1	O-RING 11.0x1.5 NBR90	
22	9523	1	O-RING 17.0x1.5 NBR70	
23	32091	1	O-RING 21.0x2.0 DIN 3770 NBR70	
24	64301	1	SRUBA M24X1.5 Ø20	

Part Notes:

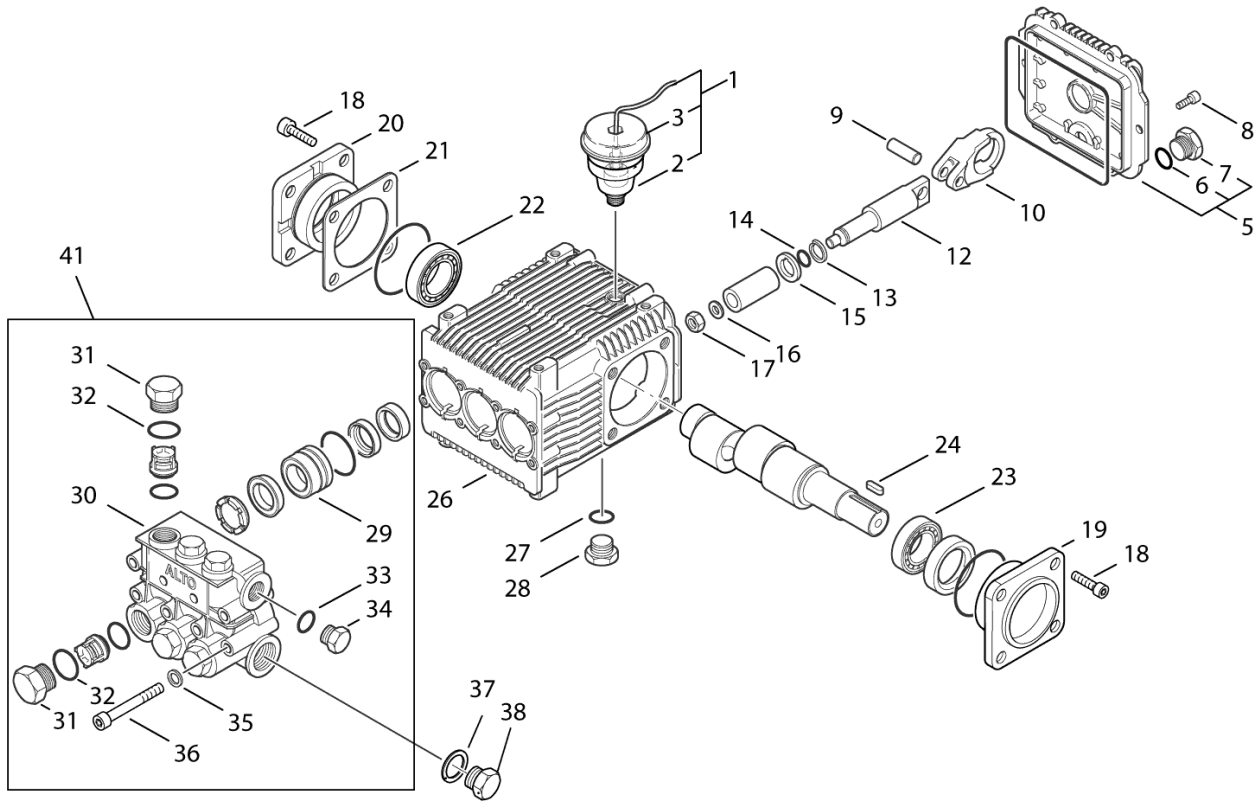
- [1] - includes part markt *
- [2] - includes part markt o



Pos.	Numer Produktu	ilość	Opis	Notes
0-	63056	1	REPAIR KIT DISCHARGER VALVE	[1]
0-	301000902	1	DISCHARGER VALVE NEPTUNE	[2]
1	62730	1	SAFETY VALVE 200BAR	
2	16443	1	O-RING 17.0x2.0 DIN 3770 NBR70	
3	62706	1	O-RING	
4	16443	2	O-RING 17.0x2.0 DIN 3770 NBR70	
5	62697	1	SRUBA M7X36/51 G3/8 SW22 ZN	
6	101609375	3	HOSE SOCKET ELBOW 4X1/8 BLUE	
7	101609393	1	ZŁĄCZE 6 1/8	
8	107312024	1	CHEMICAL HOUSE	[3]
9	101609387	1	UNION ELBOW 3/4 W. O-RING	
10	107312039	1	FILTR	
11	301001297	1	ŚRUBA G1/2-G3/4X72 SW30	
12	24347	1	O-RING 21.0x2.5 DIN 3770 FPM80	
13	63058	2	ZŁĄCZE	
14	13739	1	O-RING 10X2 DIN 3770 NBR70	
15	301000246	1	MANOMETR	
16	107312021	4	PODKŁADKA	
17	6182972	1	SPRING	[4]
18		1	Use pos. no. 18A, 40 and 41	[5]
18A	107312006	1	HOUSING FOR NON-RETURN VALVE	
19	1807593	2	CLIP 7-13 MM RUSTPROOF	
20	4973	2	HOSE Ø6X3	
21	107312027	1	ZAWÓR	
22	1602606	1	ZŁĄCZE	
23	1600550	4	CUTTING RING AL 6 DIN 3861	
24	1600543	4	UNION NUT DIN 3870 A L 6	
25	106408006	2	BRASS PIPE 1000MM	
26	56519	2	O-RING	
27	301000905	2	TŁOK	
28	1814614	1	ŚRUBA K50X18 Wn1451 A2	
29	62399	1	UCHWYT CZUJNIKA	
30	3000064	1	O-RING 14.1X1.6 NITRIL 70SH	
31	107312023	1	HOUSING FOR FLOWSWITCH	[3]
32	107306032	1	REED SWITCH	
33	101119411	1	REP.KIT PISTON	
34	3000064	1	O-RING 14.1X1.6 NITRIL 70SH	
35	107120504	1	PLUG FOR FLOWSWITCH NA5	
36	1801075	1	PIERŚCIEŃ USZCZ. 23.8X17.2X2 3/8	
37	101609377	1	THREADED CONNECTION 6L3/8	
38	101406058	1	HOSE STEEL ARMED DN6X12M	
38	101405641	1	WAŻ CIŚNIENIOWY Dł. 8.2 M	
39	101609392	1	T-CONNECTION 6	[6]
40	101609393	1	ZŁĄCZE 6 1/8	
41	101406045	1	HIGH PRESSURE HOSE F. AUTO E12	

Part Notes:

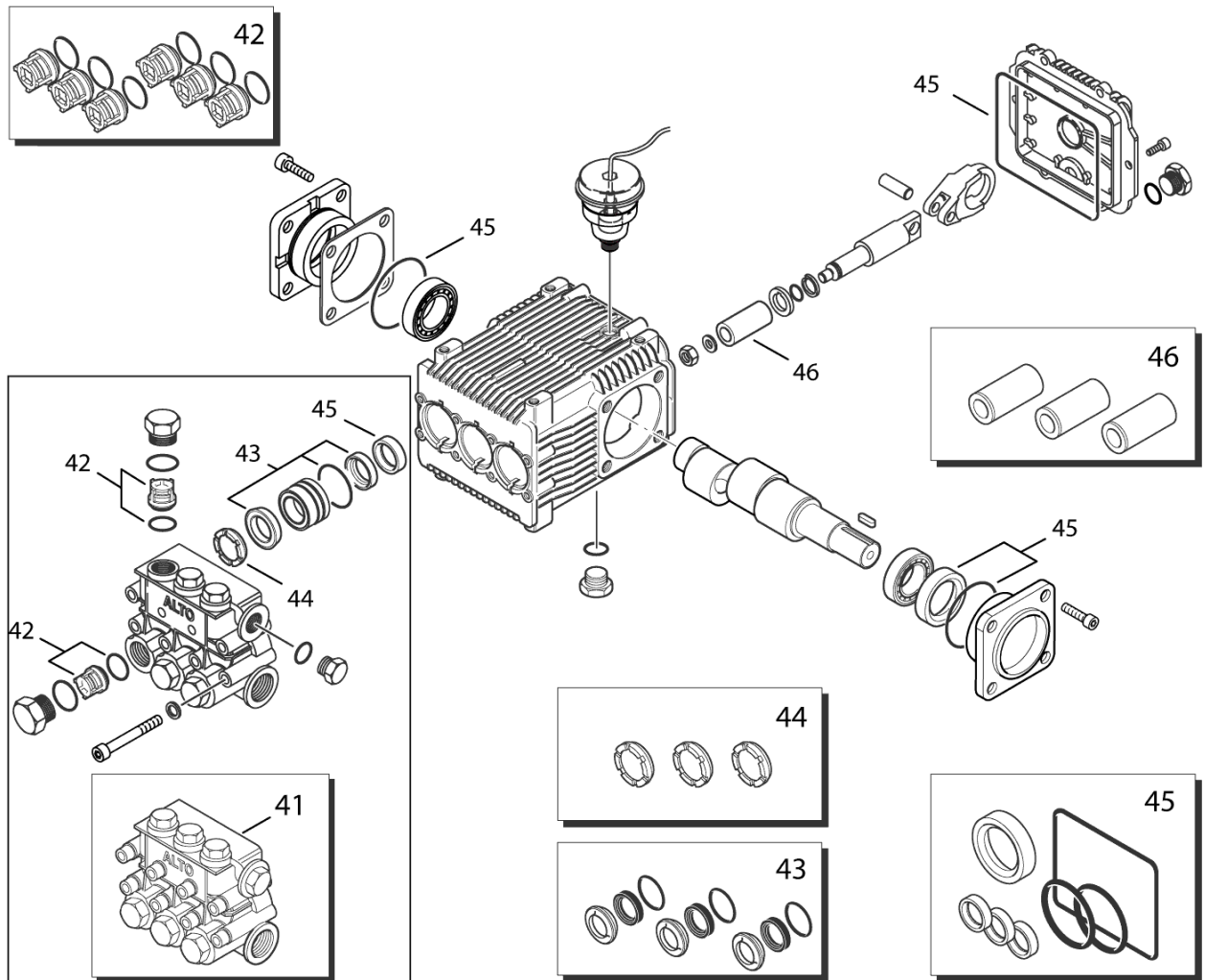
- [1] - includes part markt *
- [2] - includes part markt o
- [3] - STOCK COVERS GUARANTEE
- [4] - USED IN PRODUCTION
- [5] - Use pos. no. 18A, 40 and 41
- [6] - 5-22E9
 STOCK COVERS GUARANTEE



Pos.	Numer Produktu	ilość	Opis	Notes
0-	107144146	1	OLEJ DO POMPY 1X 1L	[1]
01	301000616	1	OIL CONTAINER WITH LEVEL INDICATOR	
02	301000614	1	ZBIORNIK NA OLEJ Ø66.8X84	
03	301000615	1	POKRYWA	
05	301001158	1	COVER	
06	56554	2	O-RING 14.0x1.78 ARP AS 568 A NBR70	
07	301001135	1	PLUG G3/8	
08	909100158	6	SCREW CYLINDERHEAD M6x14 ISO4762 ZN	
09	301001138	3	BOLT	
10	301001168	3	ZŁĄCZE	
12	301001156	3	PISTON ROD 109MM	
13	49900	3	SUPPORTING RING Ø8X11X1 PTFE	
14	3001740	3	O-RING 7.66X1.78 NITRIL 70SH	
15	301001139	3	DISTANCE SPACER	
16	909100165	3	PACKING RING Ø8x17 DIN7603 A CU	
17	909100167	3	HEXAGON NUT M8	
18	2788	8	CYLINDER SCREW M8X16 ISO 4762 ST 8.8/ZN	
19	301001167	1	BEARING LID 80X80X8 OPE	
20	301001166	1	BEARING LID 80X80X8 CLO	
21	301001141	1	ADJUSTING WASHER 80x80x0.10	
21	301001143	1	ADJUSTING WASHER 80X80X0.25	
21	301001142	1	ADJUSTING WASHER 80X80X0.20	
21	301001140	1	ADJUSTING WASHER 80x80x0.05	
22	909100163	1	ROLLER BEARING 30204 DIN720	
23	909100162	1	ROLLER BEARING 30205 DIN720	
24	19639	1	PARALLEL KEY 8X7X25 A DIN 6885 St	
26	301001157	1	KORPUS POMPY	
27	56554	1	O-RING 14.0x1.78 ARP AS 568 A NBR70	
28	301001135	1	PLUG G3/8	
29	301001154	3	PIERŚCIEŃ	
30	301001172	1	VALVE BLOCK	
31	301001137	6	ZATYCZKA M22 SW24X21	
32	103004342	6	O-RING 17.86X2.62 NBR70	
33	1409	1	PACKING RING Ø17X23 DIN7603 A CU	
34	301001134	1	PLUG G3/8	
35	909100168	8	SAFETY WASHER Ø8	
36	1814597	8	CYLINDER SCREW M8X70 DIN 912-8.8 ZN	
37	5127	1	PACKING RING D21X26 DIN7603 A CU	
38	301001136	1	PLUG G1/2/SW24X17	
41	301001170	1	VALVE BLOCK COMPL. Ø 18MM	

Part Notes:

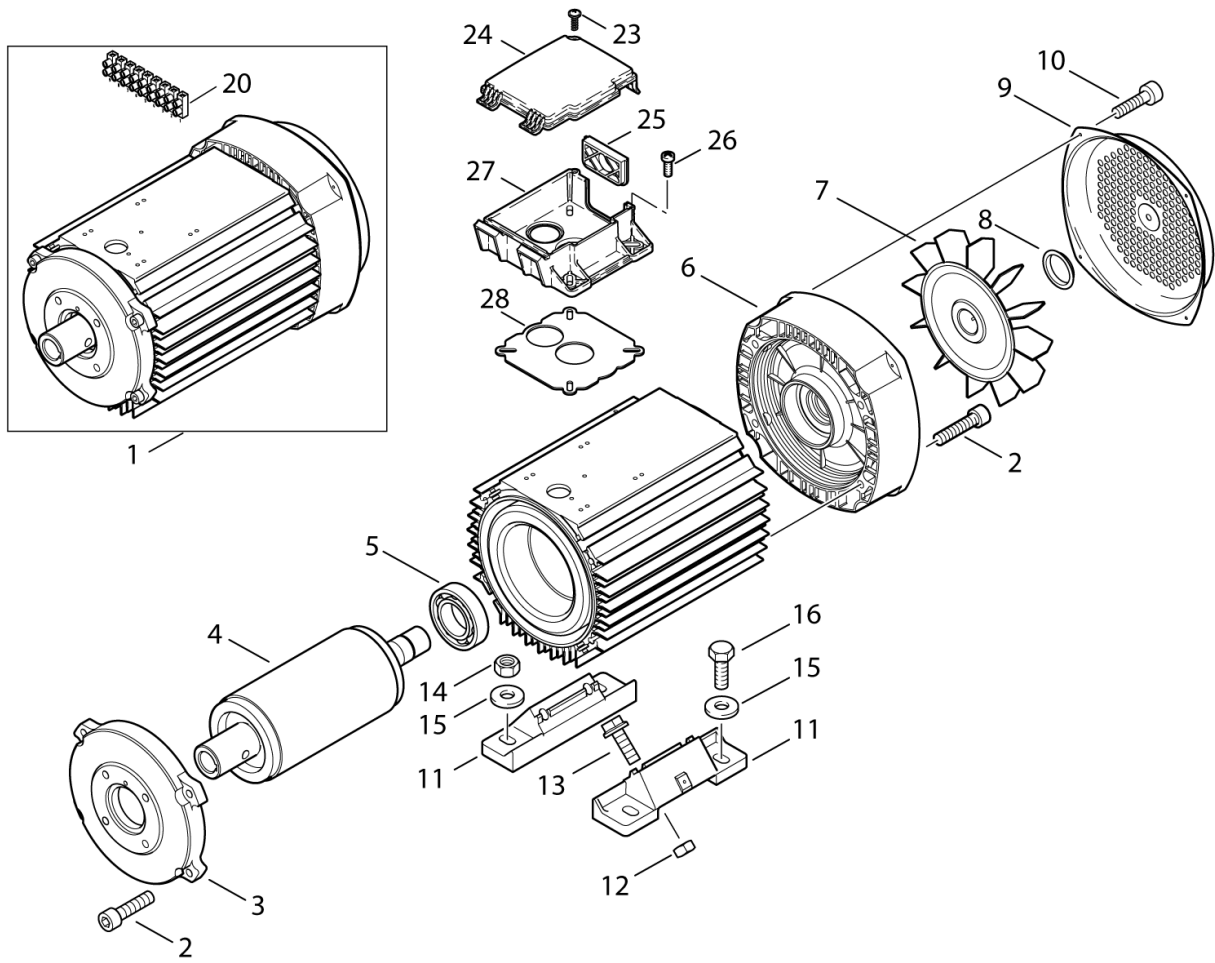
[1] - SAE 15W 40, 0,45 l



Pos.	Numer Produktu	ilość	Opis	Notes
0-	107312020	1	PUMP ANNOVI NP5 9.12N	[1]
0-	301000994	1	PUMP NP5 10.12 N 10L/MIN 120BAR ALTO	[2]
41	301001170	1	VALVE BLOCK COMPL. Ø 18MM	
42	301001153	1	ZESTAW ZAWORÓW /6 SZT/	
43	301001148	1	ZESTAW USZCZELNIEN	
44	301001151	1	KIT SUPPORT RING Ø18	
45	301001150	1	ZESTAW USZCZELNIEN	
46	301001146	1	ZESTAW TŁOKÓW Ø18MM	

Part Notes:

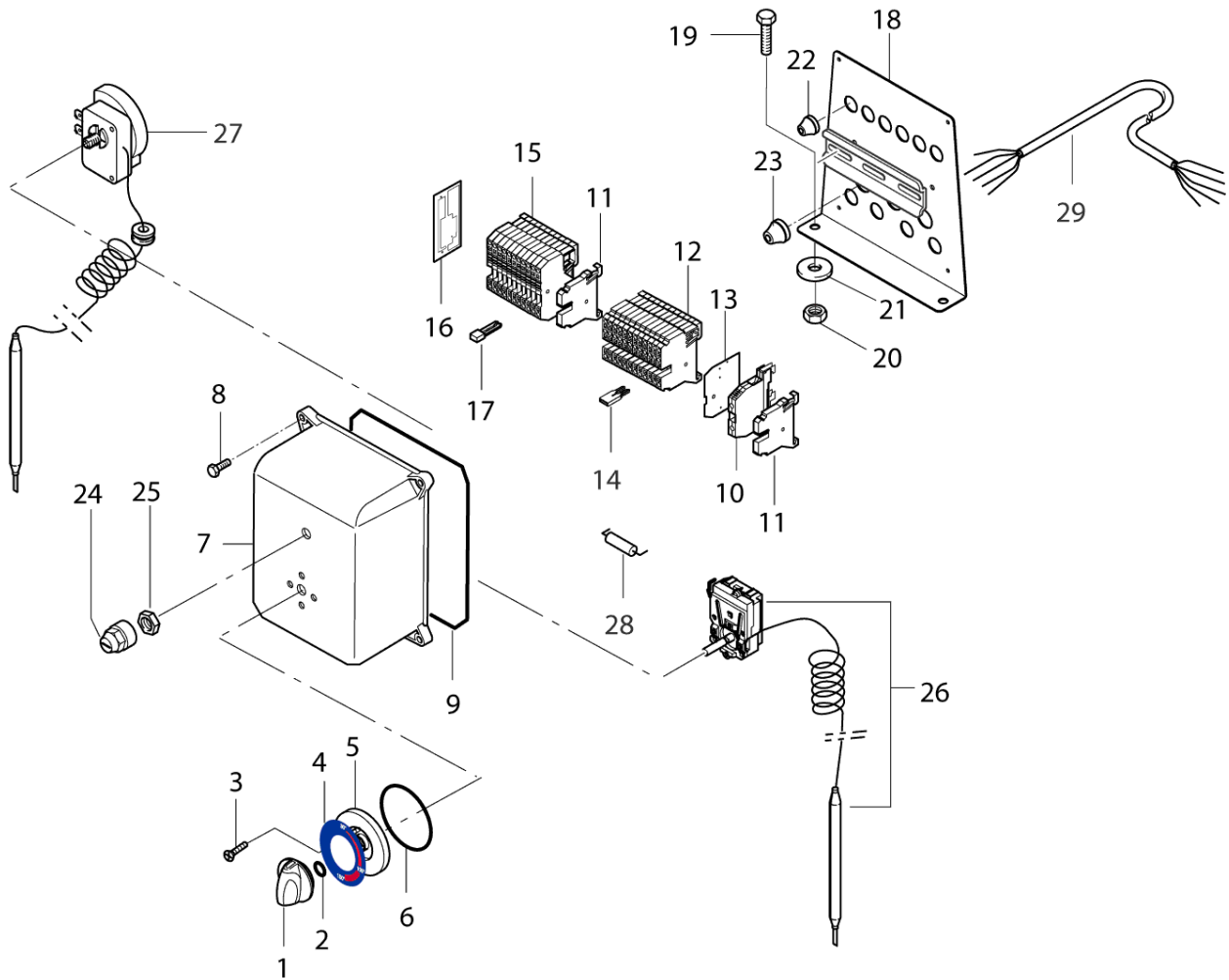
- [1] - 5-20
[2] - 5-22



Pos.	Numer Produktu	ilość	Opis	Notes
01	101118019	1	SILNIK 4.5KW 230/400 3-FAZOWY	
01	101118018	1	MOTOR ELD112 2.2KW 230V 1PH	[1]
02	6863	8	SCREW M8X35	
03	301001120	1	MOTOR FLANGE	[1]
03	301001119	1	MOTORFLANGE	
04	301001122	1	ROTOR MOTOR 4.5KW	
04	301001121	1	ROTOR MOTOR 2.2KW	[1]
05	6367	1	ROLLER BEARING 6206-2Z-C3	[1]
05	5905	1	ROLLER BEARING 6306-2Z-C3 120 DEGREES C	
06	301001114	1	REAR BEARING COVER	[1]
06	301001113	1	REAR BEARING COVER	
07	301001117	1	IMPELLER	
07	301001118	1	IMPELLER	[1]
08	301001112	1	FASTENING RING	
09	301001115	1	FAN HOUSING	
09	301001116	1	FAN HOUSING	[1]
10	8822	4	TREAD-CUTTING SCREW 3.5X9.5 C-H ISO 7049	
11	301001127	1	MOTOR FOOT H51MM	[1]
11	301001126	1	MOTOR FOOT H45MM	
12	6052	1	HEXAGON NUT M8 ISO 15011 Zn	
13	27372	1	HEX. SCREW VERBUS M8X20 DIN 6921	
14	61467	4	HEXAGON NUT M8	
15	2793	4	WASHER 8.4X2	
16	2750	4	HEX. SCREW M8X25 ISO 4017 ZN	
20	101117839	1	TERMINAL PLUG AND TERMINAL PINS	
23	10028	4	SRUBA KA50X14 WN1411	
24	301000782	1	POKRYWKA	
25	17106	1	WSTAWKA	
26	1803030	4	SCREW CROSS M5 X 12 FZB DIN7985	
27	301000781	1	PUSZKA ELEKTRYCZNA	
28	301000845	1	USZCZELKA SKRZYNKI EL.100.50X114X1MM	

Part Notes:

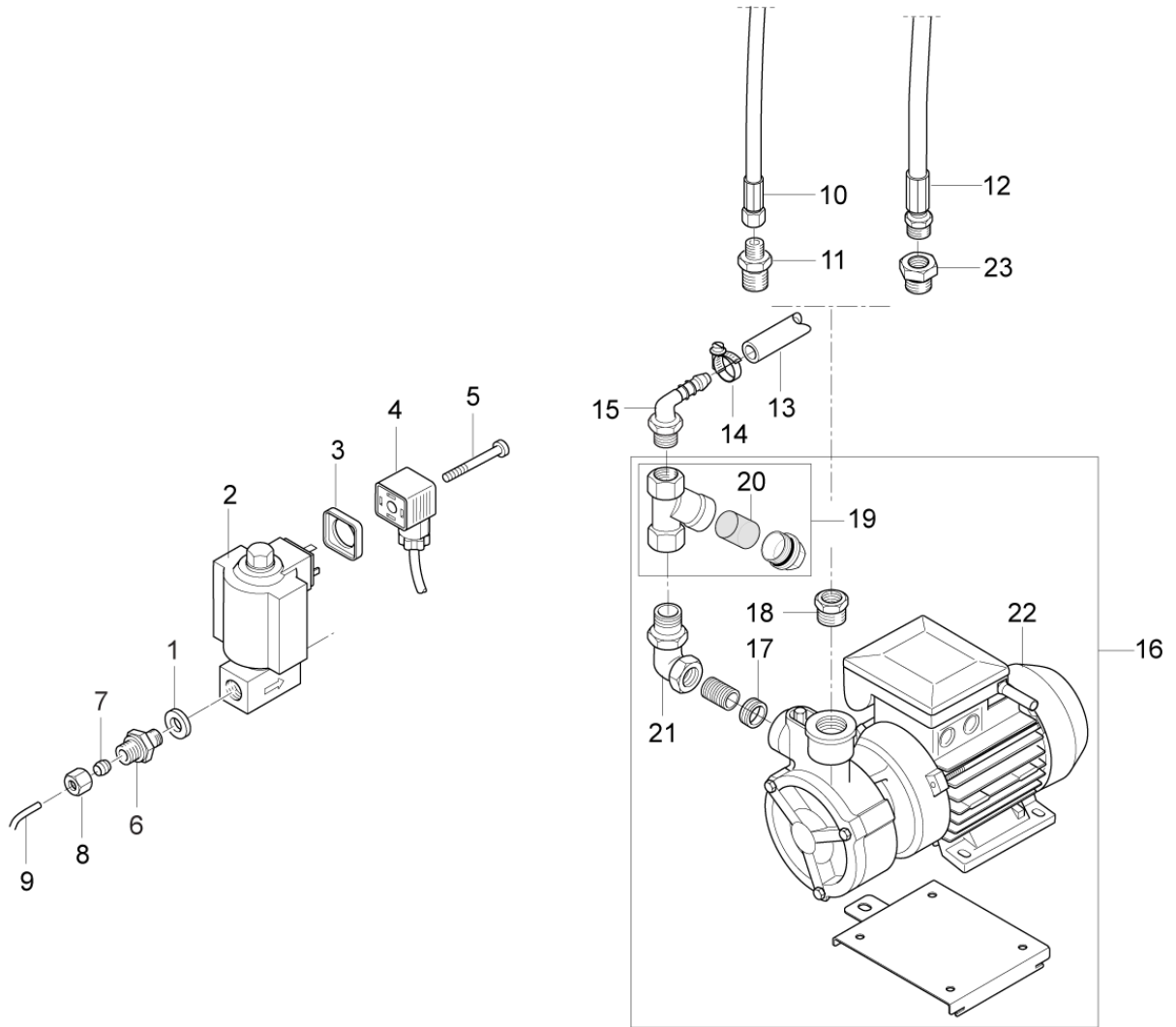
[1] - 5-22 E9



Pos.	Numer Produktu	ilość	Opis	Notes
01	909100204	1	ROTARY KNOB 6X5 BLUE	
02	9868	1	O-RING 10.2X2.5 NBR 70	
03	1801612	4	COUNTERSUNK SCREW M4X6 ISO 7046 ST/CR	
04	107319139	1	SCALA FOR THERMOSTAT	
05	107313045	1	SOCKET COMPL.	
06	3001443	1	O-RING 60.0X2.62 NITRIL 70SH	
07	107316091	1	EL-BOX. MACHINED	[1]
07	107316093	1	EL-BOX. MACHINED. AUTO E12	[2]
08	1804822	4	SCREW TAPTITE M4X16	
09	101406054	1	SPONGE RUBBER Ø 4 1M	
10	4812278	2	WIRE TERMINAL EARTH 4Q	
11	103821922	1	DIN-END STOP WO/SCREW WAGO 249-116	
12	103821920	13	WIRE TERMINAL	
13	103821921	1	END PLATE	
14	103821923	1	JUMPER 2-POL.	
15	103821967	2	WIRE TERMINAL WAGO281 800V 4MM2	
16	103821968	6	END PLATE WAGO 4MM2	
17	103821969	7	JUMPER	
18	107313234	1	PLATE FOR EL-BOX. BENDED	
19	1810209	2	SCREW HEX M10X20 A2 DIN6921	
20	1802966	1	Nut Hex M10 A2 DIN 934	
21	1801968	2	TOOTHED LOCK WASHER M10 FZB DIN6798	
22	3803764	2	RUBBER SEAL TET 5-7C	
23	3803772	1	CABLE GROMMET TET 7-10C	
24	34970	1	CAP	[3]
25	47313	1	NUT M10X1X3	[3]
26	107318151	1	THERMOSTAT 20-60	[4]
26	107318152	1	TERMOSTAT 20-53GR	[5]
27	103822046	1	TERMOSTAT 97DGC	[4]
28	103822009	1	RESISTANCE 27K	[1]
29	107318068	1	CABLE FOR BURNER 5G2. 5 TR/AU	
29	107318069	1	CABLE FOR BURNER 3G2. 5 TR/AU	[6]

Part Notes:

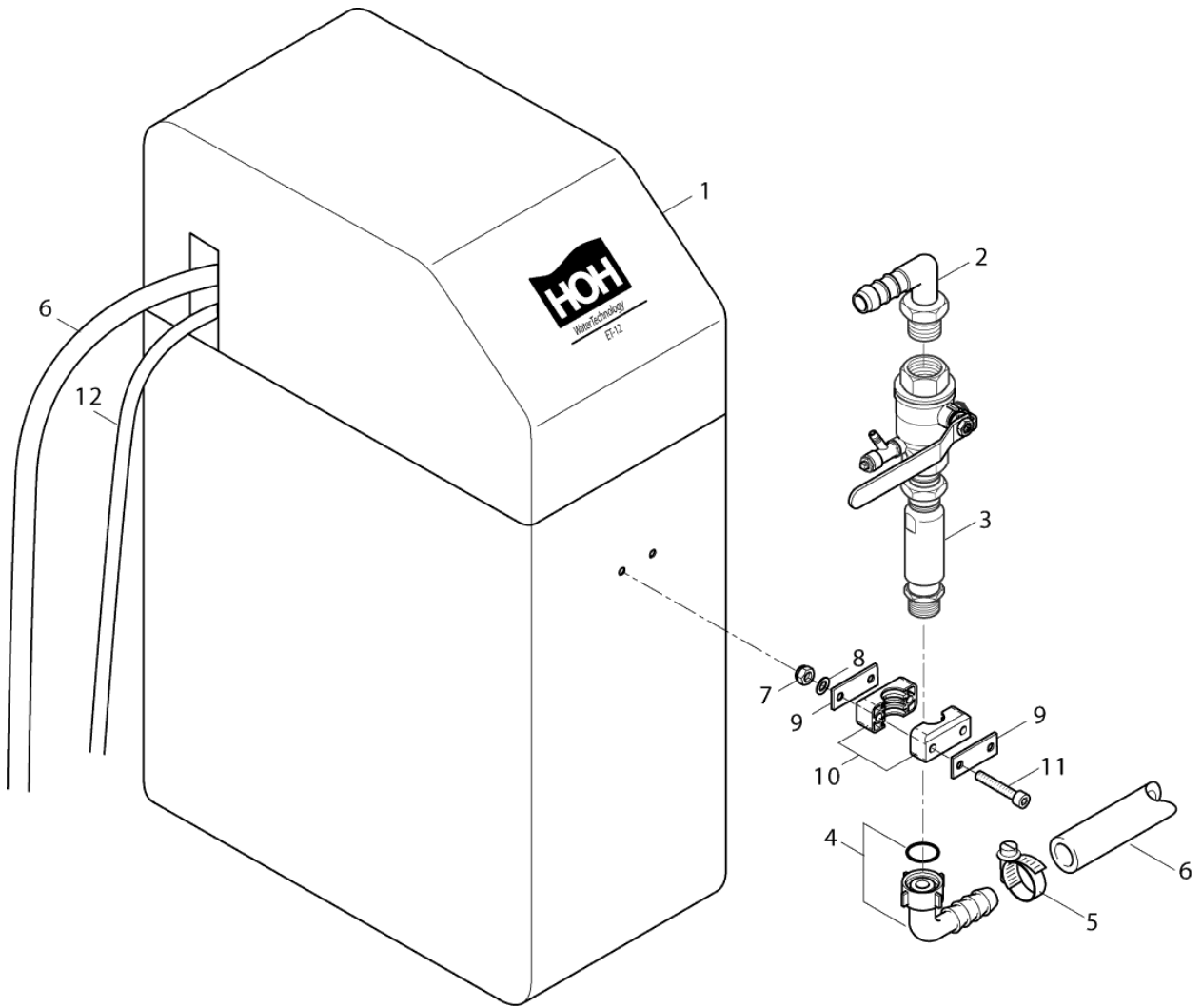
- [1] - 5-20D
- [2] - 5-20E, 5-22E9
- [3] - 5-20E
- [4] - 5-20E, 5-22E
- [5] - 5-20D, 5-33D
- [6] - 5-20E9, 5-20E12



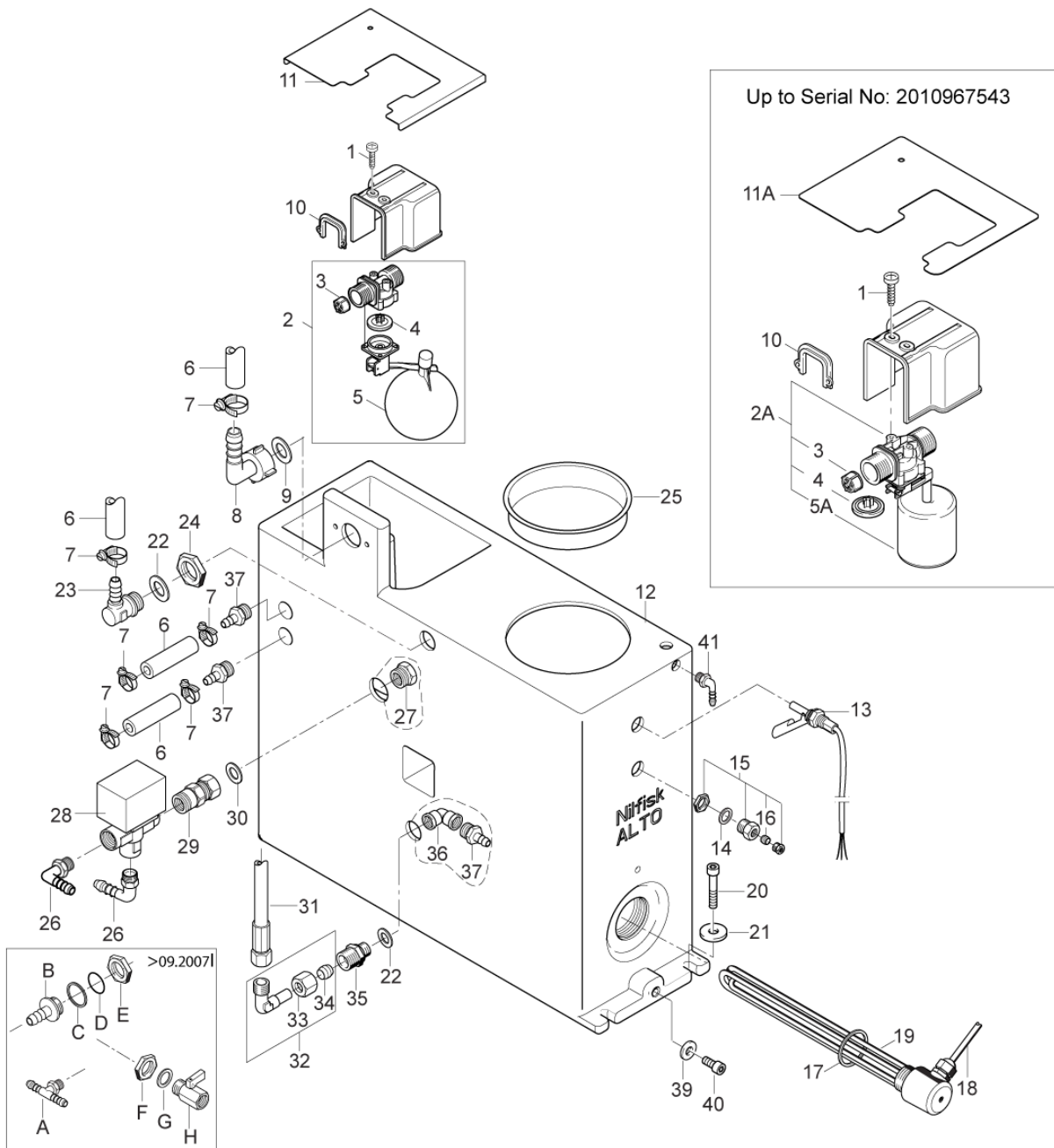
Pos.	Numer Produktu	ilość	Opis	Notes
1	1810241	2	SEALING WASHER	
2	53730	1	SOLENOID VALVE 24Vdc	
2	103822026	1	SOLENOID VALVE 230V 50HZ	
3	17767	1	GASKET SOLENOID VALVE	[1]
4	34865	1	SOCKET 2 M	
4	11693	1	PLUG F. SOLENOID VALVE	
5	17768	1	SCREW M3X25	
6	1600410	2	THREADED CONNECTION Ø 6X1/	
7	1600543	2	UNION NUT DIN 3870 A L 6	
8	1600550	2	CUTTING RING AL 6 DIN 3861	
9	106408006	1	BRASS PIPE 1000MM	
10	101405741	1	HP HOSE DN10 150 DEGREE COMPL. 1250MM	[2]
11	1600998	1	THREADED CONNECTION 12X1/2 INCH	[3]
12	101406045	1	HIGH PRESSURE HOSE F. AUTO E12	[4]
13	106408242	1	HOSE 5/8INCH - 2 METERS	
14	1810191	1	HOSE CLIP 13-27 A4 SS	
15	101609353	1	HOSE TAIL ELBOW 16X3/4 INCH	
16	107318144	1	REPLACEMENT KIT CENTRIFUG.PUMP	
17	107318141	1	REDUCTION 1X3/4	
18	107318142	1	COUPLER 1X1/2	
19	107318140	1	FILTER 3/4 CONNECTION	
20	31000342	1	FILTER 3/4 INCH	
21	101609387	1	UNION ELBOW 3/4 W. O-RING	
22	103822410	1	PUMP KFM2 230/1/50	
23	107312002	1	CONNECTING FOR MAGNET VALVE	[4]

Part Notes:

- [1] - STOCK COVERS GUARANTEE
 [2] - D
 [3] - D
 STOCK COVERS GUARANTEE
 [4] - E



Pos.	Numer Produktu	ilość	Opis	Notes
0-	107370970	1	OPTION WATER SOFTENER UNIT	
1	104601166	1	WATER SOFTENING UNIT E12	
2	101609353	1	HOSE TAIL ELBOW 16X3/4 INCH	
3	103403271	1	HIGH PRESSURE SWITCH 3/4 INCH	
4	5613	1	HOSE NOZZLE Ø16 90 DEGREE 3/4 INCH KU	
5	8298	1	HOSE CLIP 16-27	
6	106408242	1	HOSE 5/8INCH - 2 METERS	
7	33158	2	LOCK NUT M6 A2 DIN 985	
8	1813807	2	WASHER 6.4/18.0X1.6 A ISO7090 VA	
9	7302021	2	PLATE FOR CABLE FIXTURE	
10	1609297	1	BRACKET FOR PIPE 30MM	
11	101814694	2	SCREW M6X55	
12	5206461	1	PVC HOSE	

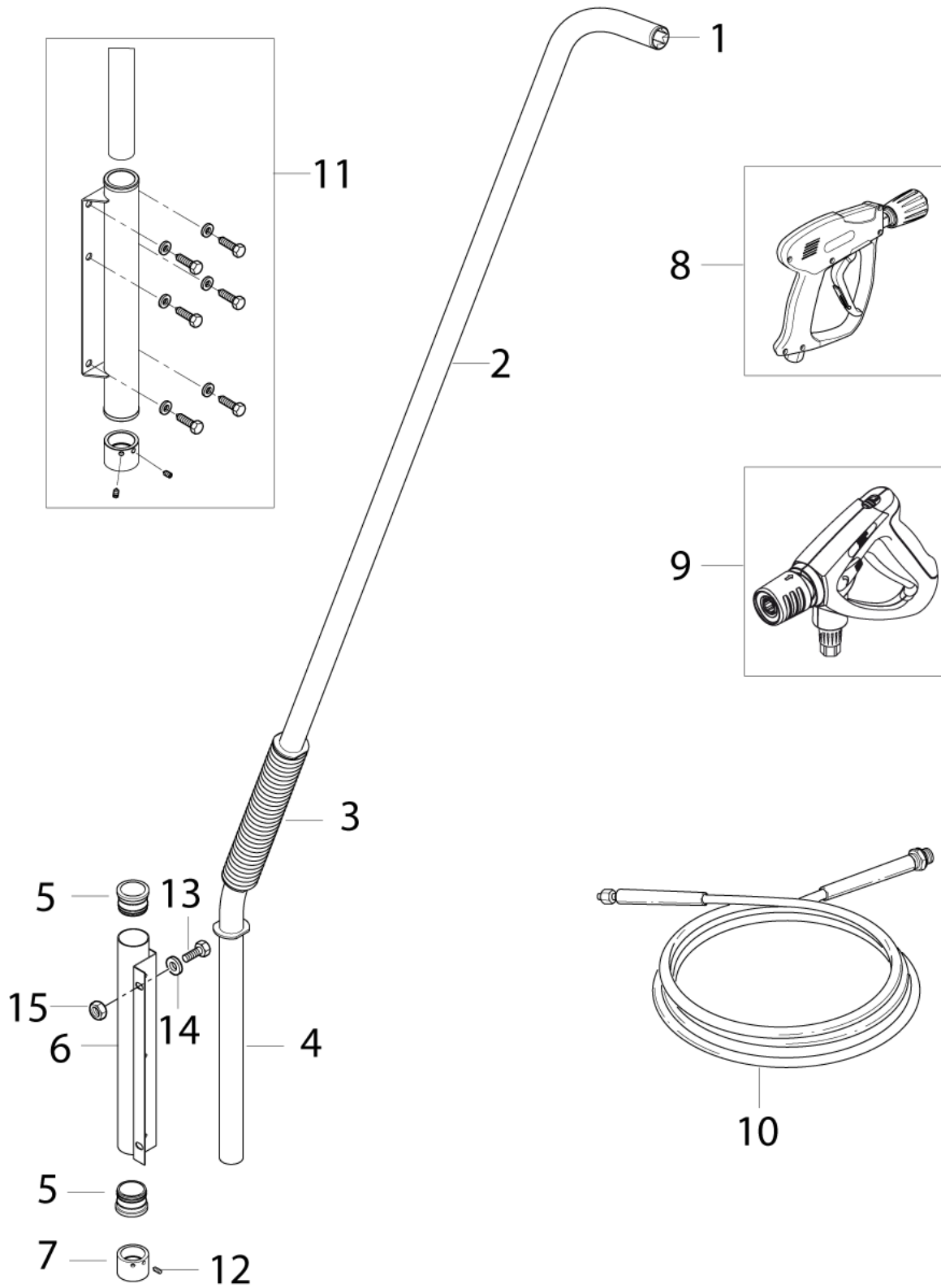


Pos.	Numer Produktu	ilość	Opis	Notes
A	101609389	1	HOSE TAIL. DOUBLE 16X3/4	[1]
B	6400403	1	HOSE TAIL 1X3/4 INCH	[1]
C	103004340	1	GASKET 1 INCH	[1]
D	3001401	1	O-RING 28X3 NITRIL 70 SH	[2]
E	20862	1	HEXAGON NUT R1 DIN 431 CUZN	[1]
F	3449	1	PACKING RING 21X30X2	[1]
G	101609356	1	NUT 1/2IN	[1]
H	3400819	1	BALOFIX 1/2 CONE	[1]
1	16860	2	SCREW 4X12	
2	107318167	1	FLOAT VALVE DN10 FLOAT BALL KIT	[3]
2	63349	1	PŁYWAK	
3	34225	1	FILTR	
4	62878	1	MEMBRANE RUBBER	
5	11418	1	PŁYWAK KULOWY	
5A	62877	1	SWIMMER Ø 55X60	
6	106408242	1	HOSE 5/8INCH - 2 METERS	
7	1810191	6	HOSE CLIP 13-27 A4 SS	
8	5613	2	HOSE NOZZLE Ø16 90 DEGREE 3/4 INCH KU	
9	15587	1	PACKING RING 14X24X2 RUBBER	
10	11243	1	MOCOWANIE PŁYWAKA	
11	107318168	1	COVER FOR WATER TANK KIT	[3]
11A	107315057	1	COVER FOR WATERTANK PLASTIC AUTO B	
12	107318166	1	WATER TANK AUTO BOOSTER KIT	
12	107318166	1	WATER TANK AUTO BOOSTER KIT	[3]
13	3817582	1	CZUJNIK POZIOMU LS103-12	
14	1801075	1	PIERŚCIEŃ USZCZ. 23.8X17.2X2 3/8	
15	107318000	1	THREADED CONNECTION	
16	101609437	1	PIERSCIEN 8MM	
17	3717	1	O-RING 42.0X3.0 NITRIL 90 SMS 1586	
18	107318072	1	CABLE FOR HEATING ELEMENT E9	[4]
18	107318073	1	CABLE FOR HEATING ELEMENT E12	[5]
19	103822257	1	HEATING ELEMENT 12KW 230/400V	[6]
19	22297	2	HEATING ELEMENT 6 KW	[7]
19	103822256	1	HEATING ELEMENT 9KW 230/400V	[8]
20	1812247	2	SCREW M8X30 A2 HFC1888	
21	1813567	2	WASHER 25/8.4 A2 DIN9021	
22	3449	5	PACKING RING 21X30X2	
23	3448	1	HOSE LINER W DN13 G KU	
24	101609356	1	NUT 1/2IN	
25	104601176	1	CONIC DBI-DUT NO. 127C RED	
26	101609390	2	NIPPLE COUDE 12X3/4	[9]
27	107312043	1	NIPPLE. MACHINED	
28	103822036	1	THREE-WAY VALVE COLD/WARM	
29	101609382	1	RADIATOR FITTING 3/4 W. O-RING	
30	2377	1	PACKING RING 27X38X2	
31	101405741	1	HP HOSE DN10 150 DEGREE COMPL. 1250MM	
32	101118094	1	ZŁĄCZE M18X1.5	
33	1081	1	NAKRETKA L12 DIN 3870-A ST/ZN	
34	1080	1	PIERŚCIEŃ L12 B DIN 3861 ST/ZN	
35	1600998	1	THREADED CONNECTION 12X1/2 INCH	[9]
36	20680	1	ANGLE	
37	101609359	3	HOSE TAIL 1/2 INCH.X16MM	
38	107315043	1	ISOLATION	[10]
39	101814735	1	SEALING WASHER 1/8PP45C	
40	1810019	1	SCREW M10X16 SS	
41	107318135	1	HOSE TAIL ELBOW 12X1/4	[3]

Part Notes:

- [1] - Up to 09.2007
- [2] - Up to 09.2007
CLOSED WHEN STOCK EMPTY
- [3] - from serial no. 2010967543
- [4] - E9, from 10 2007
- [5] - E12 - (up to 10.2007 E9)
- [6] - E12 from 10 2007
USED IN PRODUCTION
- [7] - E9 and E12 up to 10.2007
- [8] - E9, from 10 2007
STOCK COVERS GUARANTEE
- [9] - STOCK COVERS GUARANTEE
- [10] - DESIGNED OUT

Comments:



Pos.	Numer Produktu	ilość	Opis	Notes
01	107313212	1	LEAD-IN FOR BOOM	
02	107313259	1	WASH BOOM. WELDED	
03	102602526	1	SPRING	
04	107313258	1	WASH BOOM. WELDED	[1]
05	107313211	2	DRIVING SLEEVE FOR BOOM	[1]
06	107313254	1	BRACKET WELDED	[1]
07	107313261	1	LOCK RING WITH HOSE RELIEF FOR BOOM	[1]
08	106402243	1	PISTOLET 12 BAR, ZIMOWY	
09	106403122	1	PISTOLET ERGO 2000 Z OBROTNICĄ	
10	101406058	1	HOSE STEEL ARMED DN6X12M	
10	101405641	1	WAŻ CIŚNIENIOWY DŁ 8,2 M	
11	107313262	1	RAMIĘ NA WAŻ SPRĘŻYNOWE	[2]
12	101814752	2	POINTED SCREW M6X6	[3]
13	4814109	4	SCREW 8X16 STAINLESS STEEL	
14	1802917	4	WASHER M8 Ø8.4X18X1 A2 DIN125	
15	1809920	4	NUT M8 A2/PA ISO10511	

Part Notes:

- [1] - STOCK COVERS GUARANTEE
- [2] - incl. pos. 1, 2, 3, 4 and 11
CONTACT PROD. MGMT.
- [3] - USED IN PRODUCTION

**No
Diagram
Available**

**Parts List
Only**

Pos.	Numer Produktu	ilość	Opis	Notes
01	106402243	1	PISTOLET 12 BAR, ZIMOWY	
01	106403037	1	LANCA PLUS 1080	
01	101119737	1	DYSZA TORNADO PLUS 0370	[1]
01	106403122	1	PISTOLET ERGO 2000 Z OBROTNICĄ	
01	101119741	1	DYSZA TORNADO 0500 1/8"NPT yellow	[2]
01	101119496	1	ERGO ZŁĄCZE KPL.	

Part Notes:

[1] - 5-20D, 5-20E

[2] - 5-22E

**No
Diagram
Available**

**Parts List
Only**

Resource notes:

A-Parts. Wearing parts. Number of machines x1,2 B-Parts. Wearing parts. Number of machines x0,6 C-Parts:
Wearing parts. Number of machines x0,4 Not marked spare parts are "just in case parts"

Pos.	Numer Produktu	ilość	Opis	Notes
0A	107312039	1	FILTR	[1]
0A	301001150	1	ZESTAW USZCZELNIEN	[1]
0A	106402762	1	SZCZOTKA	[1]
0A	101119411	1	REP.KIT PISTON	[1]
0A	301001153	1	ZESTAW ZAWORÓW /6 SZT/	[1]
0A	56519	1	O-RING	[1]
0A	3812385	1	FUSE D5x20 6.3A VISCOUS US	[1]
0A	103822265	1	HOSE FOR CHEMISTRY PUMP	[1]
0A	31000342	1	FILTER 3/4 INCH	[1]
0A	106402243	1	PISTOLET 12 BAR, ZIMOWY	[1]
0A	301001151	1	KIT SUPPORT RING Ø18	[1]
0A	64314	1	ZESTAW NAPRAWCZY	[1]
0A	301000905	1	TŁOK	[1]
0A	301001148	1	ZESTAW USZCZELNIEN	[1]
0A	107144146	1	OLEJ DO POMPY 1X 1L	[1]
0B	107318167	1	FLOAT VALVE DN10 FLOAT BALL KIT	[2]
0C	301001017	1	CAPACITOR 60MF 450V W/ FERRULES	[3]
0C	301000402	1	RESISTANCE 15KOHM/7W	[3]
0C	103821903	1	OVERCURRENT RELAY 18-25A	[3]
0C	103821847	1	CONTROL TRANSFORMER 230V 24/19	[3]
0C	103822012	1	SAFETY DEVICE 3X230V	[3]
0C	103822307	1	STYCZNIK	[3]
0C	103822213	1	CHEMICAL PUMP 4L/H	[3]
0C	103822011	1	Safety device AEG C10 1P-N	[3]
0C	101118018	1	MOTOR ELD112 2.2KW 230V 1PH	[3]
0C	101118019	1	SILNIK 4.5KW 230/400 3-FAZOWY	[3]
0C	103822026	1	SOLENOID VALVE 230V 50HZ	[3]
0C	301000731	1	MIKROWŁĄCZNIK 250V	[3]
0C	101405741	1	HP HOSE DN10 150 DEGREE COMPL. 1250MM	[3]
0C	103822046	1	TERMOSTAT 97DGC	[3]
0C	5905	1	ROLLER BEARING 6306-2Z-C3 120 DEGREES C	[3]
0C	103822257	1	HEATING ELEMENT 12KW 230/400V	[4]
0C	107318036	1	COIN ACCEPTOR NOK DKK SEK	[3]
0C	103822313	1	CONTACTOR CJX2-D25 25A 24V 3P+NO/US	[3]
0C	106420051	1	PŁYTA BEZPIECZNIKÓW	[3]
0C	107318151	1	THERMOSTAT 20-60	[3]
0C	101406058	1	HOSE STEEL ARMED DN6X12M	[3]
0C	107318040	1	TIMER FOR COIN	[3]
0C	3817319	1	OVERLOAD CUT-OUT KTA 3-25-16	[3]
0C	103821912	1	MINI RELAY 1P 230V	[3]
0C	22297	1	HEATING ELEMENT 6 KW	[3]
0C	103822256	1	HEATING ELEMENT 9KW 230/400V	[5]
0C	3817582	1	CZUJNIK POZIOMU LS103-12	[3]
0C	103822262	1	OVERCURRENT RELAY 3-POL 20A 10KA	[4]
0C	103821898	1	OVERCURRENT RELAY 10-16A	[3]
0C	103822312	1	CONTACTOR CJX2-D25 25A 24V 3P+NC	[3]
0C	103822327	1	THERMAL RELAY 12-18AMP	[3]
0C	63349	1	PŁYWAK	[3]
0C	103822306	1	CONTACTOR CJX2-D18 18A 24V 3P+NO	[3]
0C	3717	1	O-RING 42.0X3.0 NITRIL 90 SMS 1586	[3]
0C	11060	1	STARTER RELAY 220V AC	[3]
0C	103822019	1	PRZELĄCZNIK	[3]
0C	101405641	1	WAŻ CIŚNIENIOWY DŁ 8,2 M	[3]
0C	6367	1	ROLLER BEARING 6206-2Z-C3	[3]
0C	103822056	1	THERMOSTAT -3 5 - +35DGC	[3]
0C	301001146	1	ZESTAW TŁOKÓW Ø18MM	[3]
0C	107318035	1	COIN ACCEPTOR GBP EURO SCF	[3]
0C	301000403	1	KONDENSATOR	[3]
0C	3830133	1	REED CONTACT	[6]

Recommended spare parts

AUTO BOOSTER 5-22E9

2015.05.19

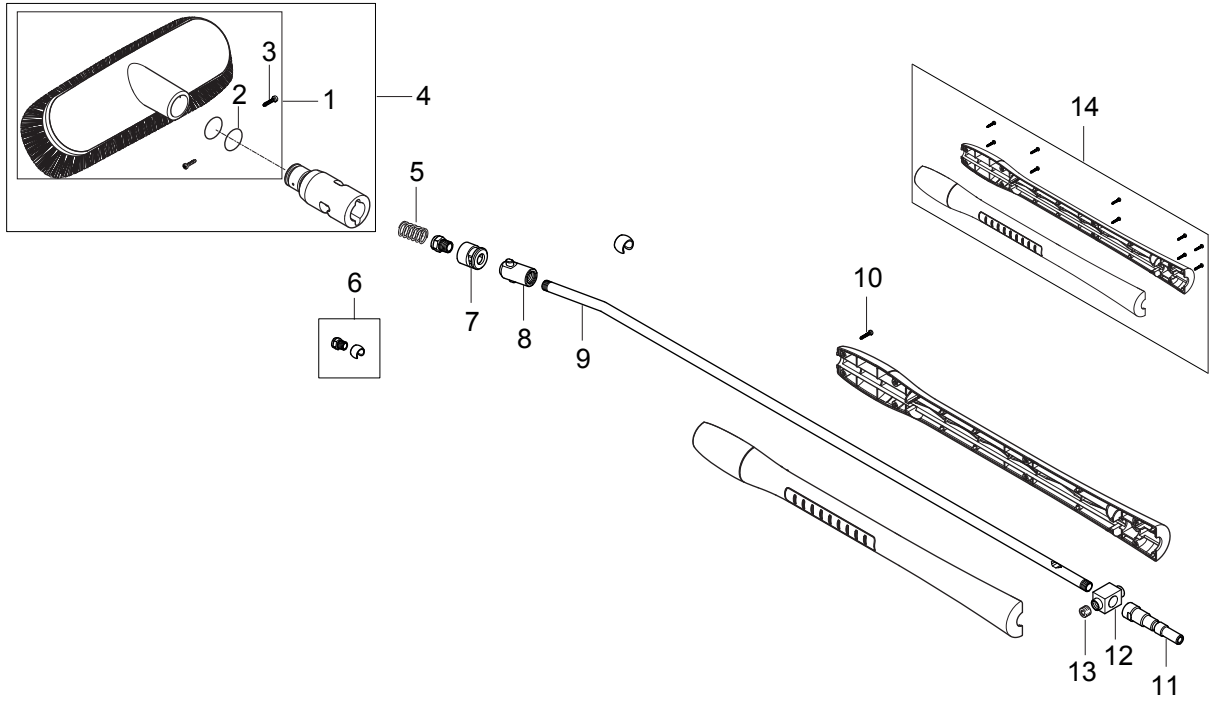
2015.05.13

Pos.	Numer Produktu	ilość	Opis	Notes
0C	101406045	1	HIGH PRESSURE HOSE F. AUTO E12	[3]
0C	53730	1	SOLENOID VALVE 24Vdc	[3]
0C	63058	1	ZŁĄCZE	[3]
0C	103822260	1	OVERCURRENT RELAY 3-POL 16A 10KA	[5]

Part Notes:

- [1] - A
- [2] - B
- [3] - C
- [4] - C
USED IN PRODUCTION
- [5] - C
STOCK COVERS GUARANTEE
- [6] - C
ALTERNATIVE USE 107306032

Comments:



Pos.	Numer Produktu	ilość	Opis	Notes
0	106403193	1	BRUSH/LANCE W/0450 NOZZLE	
1	106402763	1	BRUSH W/HOLES	
2	3000320	2	O-RING 20X3 NITRIL	
3	1814532	2	PT-Screw K30X10 WN1452 Zinc-nickel black	
4	106402762	1	SZCZOTKA	
5	102602527	1	SPRĘŻYNA	
6	101119737	1	DYSZA TORNADO PLUS 0370	
6	101119740	1	DYSZA TORNADO 0450 1/8"NPT light blue	
6	101119744	1	NOZZLE + INDICATION RING 0600	
7	18430	1	USZCZELKA DYSZY PA	
8	106402572	1	UCHWYT LANCY	
9	106408080	1	HP-TUBE BENT D13L1070 SS	
10	1814585	10	PT-SCREW K30X12 WN1452 - BLACK TORX	
11	1609325	1	NYPEL	
12	106402438	1	FITTING BRASS	
13	106402439	1	SET SCREW FOR FITTING	
14	106403114	1	SHELL FOR SINGLE LANCE KIT - GREY	

