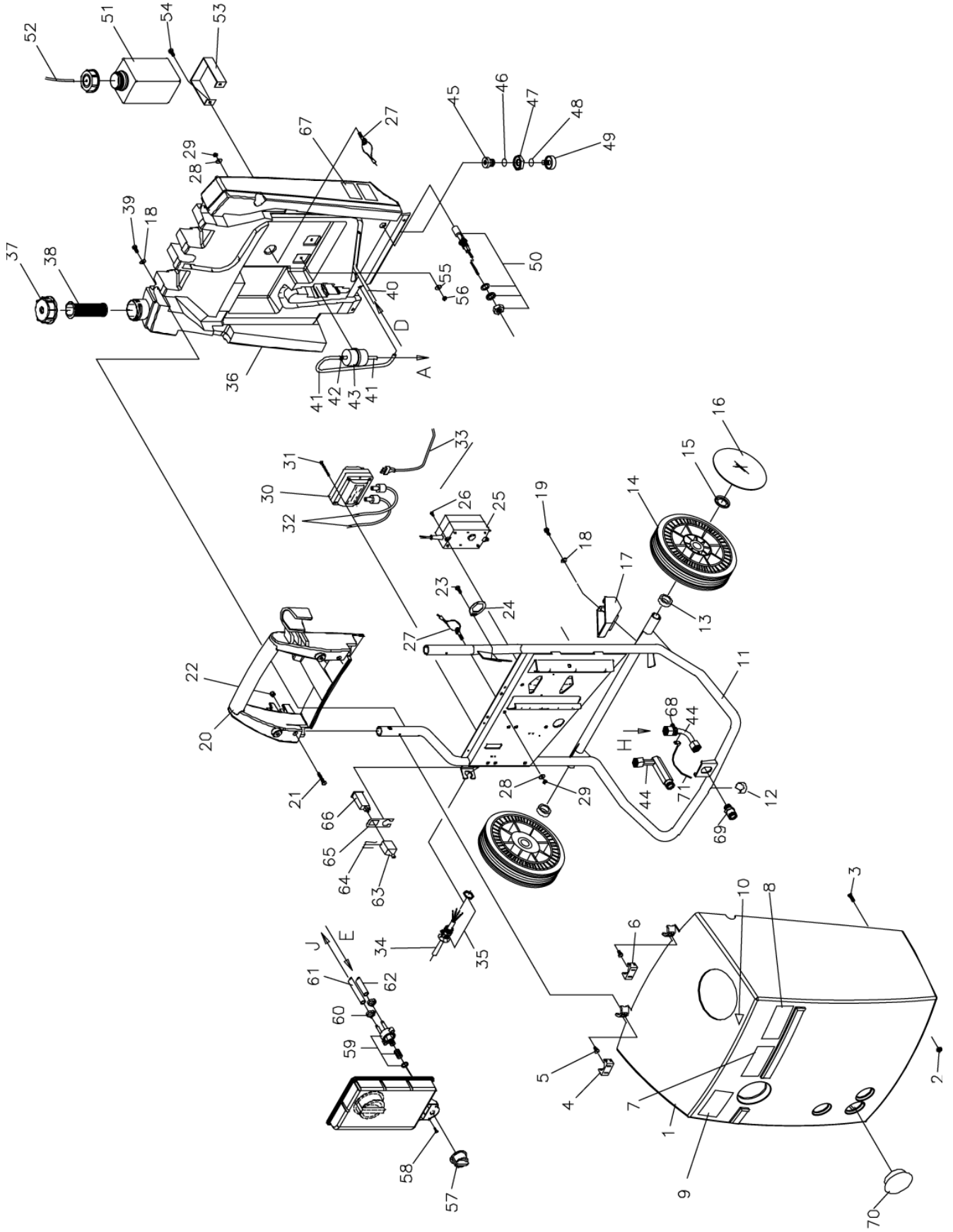

2300A-2500A-2700A-2302A-2502A-2702A

**Reservedelsliste
Spare parts list
Ersatzteilliste
Liste de pièces détachées**

Karosse / Body / Karosserie / Carrosserie	2
Motor / Motor / Motor / Moteur	8
Pumpe / Pump / Pumpe / Pomp	13
Oliepumpe / Oil pump / ÖlPumpen / Pomp d'hule	17
Kedel / Boiler / Kessel / Chaudière	19
Oliefyr / Oilburner / Ölbrenner / Brulerur	22
EI-komponenter / Electric components / Elektrische komponente / Composantes électrique	26
Pistol / Pistol / Pistole / Pistolet	29
Lanser / Lances / Lanzen / Lance	31

Karosserie / Body / Carrosserie / Carrosserie



Karosseri / Body / Karosserie / Carrosserie

Pos.	Ref. no.	Betegnelse Description	Bezeichnung Description	2300 A	2302 A	2500 A	2502 A	2700 A	2702 A
01	06240277	KAROSSE GRØN, G2000 BODY GREEN, G2000	CARROSS. VERTE 2300/2500/	1	1	1	1	1	
01	06240278	KAROSSE GRÅ, G2000 BODY GREY, G2000	CARROSS. GR/ISE 2300/2500- 2700	1	1	1	1	1	
02	06080254	MØTRIK, M6 NUT, M6	ECROU, M6	2	2	2	2	2	2
03	06070833	SKRUE, 6X20 SCREW, 6X20	VIS, 6X20	2	2	2	2	2	2
04	06200501	AFDÆKNING VENSTRE COVERING FOR LEFT	CACHE VIS GRIS 2300/2500/	1	1	1	1	1	1
05	06070435	SKRUE, M6X16 SCREW, M6X16	TAP TITE P/K, GALV. VIS M6X16 2300/2500/2700	2	2	2	2	2	2
06	06200500	AFDÆKNING HØJRE COVERING FOR RIGHT	CACHE VIS GRIS 2300/2500/	1	1	1	1	1	1
07	06301923	TRANSFERS GERNI TRANSFERS GERNI	KLEBSTREIFEN GERNI AUTOCOLLANT GERNI	1	1	1	1	1	1
08	06301880	TRANSFER, GERNI 2300 TRANSFERS, GERNI 2300	AUTOCOLLANT 2300	1					
08	06301881	TRANSFER, GERNI 2500 TRANSFERS, GERNI 2500	AUTOCOLLANT 2500			1			
08	06301882	TRANSFER, GERNI 2700 TRANSFERS, GERNI 2700	AUTOCOLLANT 2700					1	
08	06302011	TRANSFERS, G2302A TRANSFERS, G2302A	KLEBSTREIFEN G2302A AUTOCOLLANT, G2302A		1				
08	06302012	TRANSFERS G2502A TRANSFERS G2502A	KLEBSTREIFEN G2502A AUTOCOLLANT G2502A				1		
09	06301883	TRANSFER, NILFISK 2300 TRANSFERS, NILFISK 2300	AUTOCOLLANT, NILFISK 2300	1					
09	06301884	TRANSFER, NILFISK 2500 TRANSFERS, NILFISK 2500	AUTOCOLLANT N 2500			1			
09	06301885	TRANSFER, NILFISK 2700 TRANSFERS, NILFISK 2700	AUTOCOLLANT N 2700					1	
09	06302014	TRANSFERS N2302A TRANSFERS N2302A	KLEBSTREIFEN N2302A AUTOCOLLANT, N2302A		1				
09	06302015	TRANSFERS N2502A TRANSFERS N2502A	KLEBSTREIFEN N2502A AUTOCOLLANT, N2502A				1		
10	06301762	TRANSFER -ADVARSEL-HÅND TRANSFERS - WARNING-HAND	ETIKETT DREIECK HAND AUTOCOLLANT	1	1	1	1	1	1
11	06211700	RAMME, G2000 FRAME, G2000	CADRE, G2000	1	1	1	1	1	1
12	06200534	AFSTANDSSTYKKE, Ø28 DISTANCE PIECE, Ø28	ENTRETOISE, □28	1	1	1	1	1	1
13	06181495	SKIVE, Ø25,5/Ø40X10,5 WASHER, Ø25,5/Ø40X10,5	RONDELLE, □25,5/□40X10,5	2	2	2	2	2	2

Karosseri / Body / Karosserie / Carrosserie

Pos.	Ref. no.	Betegnelse Description	Bezeichnung Description	2300 A	2302 A	2500 A	2502 A	2700 A	2702 A
14	06130223	HJUL, 25/47.5-250/55 WHEEL, 25/47.5-250/55	ROUE 2500/2500/2700A	2	2	2	2	2	
15	06080136	LÅSESKIVE U/KAPPE, Ø25 MM LOCK WASHER WITHOUT CAP, Ø25 MM	FEDERTELLERSKIBE OHNE KAPPE BAGUE DENTEE	2	2	2	2	2	
16	06130224	NAVKAPSEL GRØN, RAL 6005 HUB CAP GREEN, RAL 6005	ENJOLIVEUR ROUE "VERT"	2	2	2	2	2	
16	06130225	NAVKAPSEL BLÅ, RAL 5013 HUB CAP BLUE, RAL 5013	ENJOLIVEUR BLEU, RAL 5013	2	2	2	2	2	
17	06200498	SPULERØRSHOLDER LANCE HOLDER	SUPPORT DE LANCE	1	1	1	1	1	
18	06080132	SKIVE, 6X30 WASHER, 6X30	SCHEIBE, GALV. RONDELLE	2	2	2	2	2	
19	06070435	SKRUE, M6X16 SCREW, M6X16	TAP TITE P/K, GALV. VIS M6X16 2300/2500/2700	2	2	2	2	2	
20	06200494	KØREHANDTAG, G2000 OPERATION HANDLE, G2000	POIGNEE DE POUSSEE	1	1	1	1	1	
21	06070864	SKRUE, M6X35 SCREW, M6X35	SCHRAUBE VIS M6X35	2	2	2	2	2	
22	06080245	MØTRIK, M6 NUT, M6	MUTTER ECROU	2	2	2	2	2	
23	06070346	SKRUE, 6X10 SCREW, 6X10	SCHRAUBE, P/K, GALV. VIS	1	1	1	1	1	
24	06061451	LÅSEBØJLE LOCK FITTINGS	GARNITURE DE SERRURE	1	1	1	1	1	
25	06262195	DOSERPUMPE, 230V 50/60HZ DOSING PUMP, 230V 50/60HZ	POMPE DOSAGE 2300/2500/27	1	1	1	1	1	
25	06262204	DOSERPUMPE, 200V DOSING PUMP, 200V	POMPE DE DOSAGE, 200V						1
26	06070886	TAP TITE, M4X10 TAP TITE, M4X10	TAP TITE, M4X10	2	2	2	2	2	
27	06211703	STROP STRAP	PATTE	1	1	1	1	1	
28	06080132	SKIVE, 6X30 WASHER, 6X30	SCHEIBE, GALV. RONDELLE	2	2	2	2	2	
29	06080058	MØTRIK, M6 NUT, M6	MUTTER, GALV. ECROU	2	2	2	2	2	
30	06230366	TÆNDTRANSFORMER, 230/400V IGNITION TRANSFORMER, 230/400V	TRANSFORMATEUR ALLUM.230V	1	1	1	1	1	
31	06070520	SKRUE, 4X50 SCREW, 4X50	SCHRAUBE, P/K VIS	4	4	4	4	4	
32	06161037	TÆNDKABEL, 700 MM IGNITION CABLE, 700 MM	CABLE D ALLUMAGE 2300/250	2	2	2	2	2	
33	06161038	LEDNING M/STIK F. TÆNDTRAFØ, 700 MM CABLE F. IGNITION, 700 MM	KABEL F.ZUNDETRAFØ 890MM CABLE POUR D'ALLUMAGE, 700 MM	1	1	1	1	1	

Karosserie / Body / Carrosserie

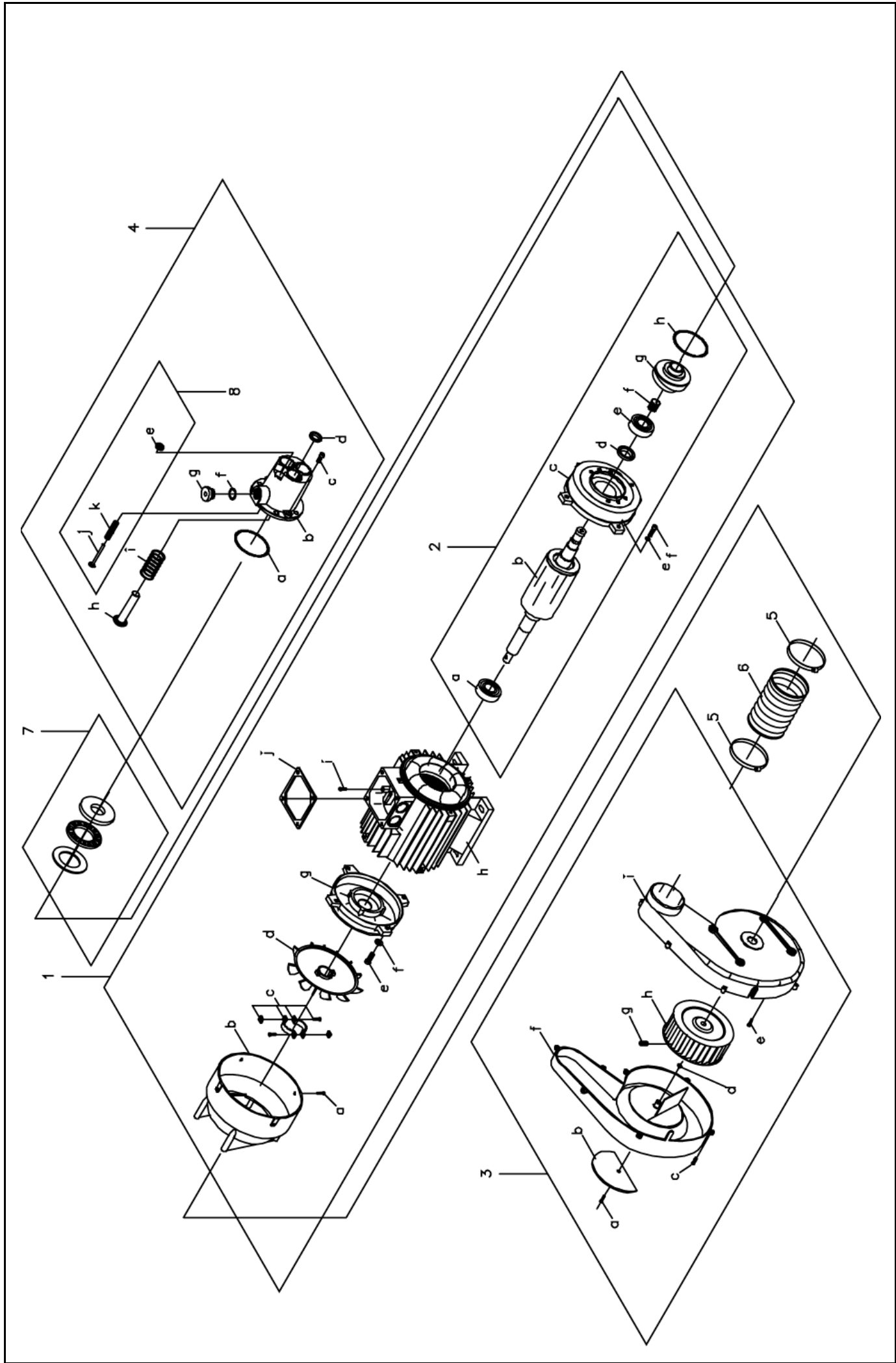
Pos.	Ref. no.	Betegnelse Description	Bezeichnung Description	2300 A	2302 A	2500 A	2502 A	2700 A	2702 A
34	06262229	TILGANGSKABEL GUMMI, 3X1,5X5500 INLET CABLE RUBBER, 3X1,5X5500	CABLE D'ENTREE EN CAOUTCHOUC, 3X1,5X5500	1	1	1	1		
34	06262230	TILGANGSKABEL GUMMI, 3X1,5X5500 SCHUCO INLET CABLE RUBBER, 3X1,5X5500 SCHUCO	CABLE D'ENTREE EN CAOUTCHOUC, 3X1,5X5500	1	1	1	1		
34	06262231	TILGANGSKABEL GUMMI, 3X1,5X5500 DK INLET CABLE RUBBER, 3X1,5X5500 DK	CABLE ELECTRIQUE G2500	1	1	1	1		
34	06262232	TILGANGSKABEL, PLAST, 3X1,5X5500 UK INLET CABLE PLASTIC, 3X1,5X5500 UK	CABLE D'ENTREE EN PLASTIQUE, 3X1,5X5500 UK	1	1	1	1		
34	06262233	TILGANGSKABEL, PLAST, 3X1,0X5500 10A AU INLET CABLE PLASTIC, 3X1,0X5500 10A AU	CABLE D'ENTREE EN PLASTIQUE, 3X1,0X5500 10A AU	1	1	1	1		
34	06262234	TILGANGSKABEL, PLAST, 3X1,5X5500 15A AU INLET CABLE PLASTIC, 3X1,5X5500 15A AU	CABLE D'ENTREE EN PLASTIQUE, 3X1,5X5500 15A AU	1	1	1	1		
34	06262235	TILGANGSKABEL GUMMI, 4X1,5X5500 INLET CABLE RUBBER, 4X1,5X5500	CABLE D'ENTREE EN CAOUTCHOUC, 4X1,5X5500	1				1	
34	06262236	TILGANGSKABEL GUMMI, 4X1,5X5500 CEE INLET CABLE RUBBER, 4X1,5X5500 CEE	CABLE D'ENTREE EN CAOUTCHOUC, 4X1,5X5500 CEE	1				1	
34	06262237	TILGANGSKABEL GUMMI, 4X1,5X5500 AU INLET CABLE RUBBER, 4X1,5X5500 AU	CABLE D'ENTREE EN CAOUTCHOUC, 4X1,5X5500 AU	1				1	
35	06261856	KABELGENNEMFØRINGSKIT, 3X1,5 MM2 CABLE GROMMET KIT, 3X1,5 MM2	KABELDURCHFÜHRUNGSKIT KIT DE TRAVERSEE DE CABLE	1	1	1	1	1	
35	06261857	KABELGENNEMFØRINGSKIT, 3/4X1,5 CABLE GROMMET KIT, 3/4X1,5	KABELDURCHFÜHRUNGSKIT KIT DE TRAVERSEE DE CABLE	1	1	1	1	1	
36	06262251	BRÆNDSTOFTANK M.BUNDPROP FUEL TANK WITH PLUG, G2000	RESERVOIR GO 2300/2500/27	1	1	1	1	1	
37	06200271	KAPSEL M. HÆTTE, 60 MM JACKET W. CAP, 60 MM	KAPSEL 60 MM M. KAPPE BOUCHON DE RESERVOIR/MANC/MANCHON	1	1	1	1	1	
38	06100353	FILTERSI, Ø44X80 1CN STRAINER, Ø44X80 1CN	BRENNSTOFFFILTER FILTRE GAS OIL =100317	1	1	1	1	1	
39	06070427	SELVSKÆRENDE SKRUE, 6X16 SELF-TAPPING SCREW, 6X16	SCHRAUBE P/K, GALV. VIS 6 X 16 TETE RONDE	2	2	2	2	2	
40	06110645	OLIESLANGE, Ø6X1300 MM OIL HOSE, Ø6X1300 MM	DURITE GAS OIL 2300/2500/	1	1	1	1	1	
41	06110643	OLIESLANGE, Ø6X420 OIL HOSE, Ø6X420	DURITE=110671OUKIT 262315	2	2	2	2	2	
42	06110664	SPÆNDEBÅND, Ø10 RETAINING RING, Ø10	FRETTE, □10	2	2	2	2	2	
43	06230327	BRÆNDSTOFFFILTER FUEL FILTER	BRENNSTOFFFILTER FILTRE A GASOIL G-3000	1	1	1	1	1	
44	06262247	AFGANGSSTUDS OUTLET SOCKET	RACCORD DE DEPART 2300/	1				1	
44	06262364	AFGANGSSTUDS KPL. G2002 OUTLET SOCKET C.P.L., G2002	TUYAU DE SORTIE CPL 2002		1			1	
45	06181287	NIPPEL NIPPLE	NIPPEL F. OELENTLEERUNG RACCORDE E	1	1	1	1	1	

Karosseri / Body / Carrosserie / Carrosserie

Pos.	Ref. no.	Betegnelse Description	Bezeichnung Description	2300 A	2302 A	2500 A	2502 A	2700 A	2702 A
46	06120232	O-RING, 15X3 O-RING, 15X3	O-RING JOINT	1	1	1	1	1	
47	06181288	MØTRIK NUT	MUTTER F. OELENTLEERUNG ECROU	1	1	1	1	1	
48	06120232	O-RING, 15X3 O-RING, 15X3	O-RING JOINT	1	1	1	1	1	
49	06180579	BUNDPROP, Ø24X20 BOTTOM CAP, Ø24X20	BODENPFROPFEN F. OELTANK PRISE SUPERIEURE DE RESERA FUEL	1	1	1	1	1	
50	06262208	OLIENIVEAU KPL G2000 LEVEL CONTROL	JAUGE DE NIVEAU	1	1	1	1	1	
51	06150099	FLASKE M. LAG BOTTLE W. COVER	KAUTEK FLASCHE M/DECKEL BOCAL P/SYSTEME ANTI CALC	1	1	1	1	1	
53	06061433	BESLAG FOR DUNK AFKALKING FITTINGS FOR TANK DECALCIFICATION	ARMATURE P. RESERVOIR DECALCIFICATI	1	1	1	1	1	
54	06070346	SKRUE, 6X10 SCREW, 6X10	SCHRAUBE, P/K, GALV. VIS	2	2	2	2	2	
55	06080157	SPÆNDESKIVE, M6 TENSION DISC, M6	FEDERSKIBE, GALV. RONDELLE DE SERRAGE	2	2	2	2	2	
56	06080058	MØTRIK, M6 NUT, M6	MUTTER, GALV. ECROU	2	2	2	2	2	
57	06200496	KNAP KEMI DETERGENT BUTTON	BOUON DETERGENT 2300/5/7	1	1	1	1	1	
58	06070772	SKRUE, 3,5X20 SCREW, 3,5X20	SCHRAUBE VIS 3,5X20	2	2	2	2	2	
59	06211201	PLASTVENTIL KOMPLET PLASTIC DETERGENT VALVE CPL.	PLASTIK REINIGUNGSMITTELVENTIL KPL VANNE DETERGENT PLASTIQUE	1	1	1	1	1	
60	06110494	SPÆNDEBAND, 10-12 RETAINING RING, 10-12	SCHLAUCHSCHELLE 8- FRETTE	2	2	2	2	2	
61	06110647	KEMISLANGE, Ø6X1900 MM DETERGENT HOSE, Ø6X1900 MM	TUYAU DE DETERGENT, □6X1900 MM	1	1	1	1	1	
62	06110646	KEMISLANGE, Ø7X330 DETERGENT HOSE, Ø7X330	TUYAU DE DETERGENT, □7X330	1	1	1	1	1	
63	06200527	BESKYTTELSHÆTTE PROTECTION CAP	SCHÜTZKAPPE CAPUCHON DE PROTECTION	1	1	1	1	1	
63-66	06262360	BRÆNDSTOFTANK VENSTRE FUEL TANK LEFT C.P.L.	RESERVOIR FUEL GAUCHE	1	1	1	1	1	
64	06280201	LÅSEBØJLE LOCK FITTINGS	GARNITURE DE SERRURE	1	1	1	1	1	
65	06061475	BESLAG F. TIMETÆLLER FITTINGS F. HOUR METRE	BESCHLAG F. STUNTENZÄHLER ARMATURE P.COMPTER HORAIR	1	1	1	1	1	
66	06220055	TIMETÆLLER, 230V HOUR METRE, 230V	COMPTER HORAIRE, 230V	1	1	1	1	1	
67	06301619	TRANSFER "ADVARSEL" TRANSFERS "WARNING"	TRANSFERS WAHRNUNG G-880 AUTOCOL."AVERTISSEMENT"	1	1	1	1	1	

Karosseri / Body / Karosserie / Carrosserie

Pos.	Ref. no.	Betegnelse Description	Bezeichnung Description	2300 A	2302 A	2500 A	2502 A	2700 A	2702 A
68	06110494	SPÆNDEBÅND, 10-12 RETAINING RING, 10-12	SCHLAUCHSCHELLE 8- FRETTE	1			1		
69	06181571	AFGANGSSTUDES, 24X40 OUTLET SOCKET, 24X40	RACCORD DE DEPART, 24X40	1			1		
70	06150185	AFDÆKNINGSPROP, Ø50X12 COVER PLUG, Ø50X12	CAPUCHON DE COUVERTURE, □50X12	1			1		
71	06170267	TEMPERATURFØLER THERMAL PROTECTOR, G2002	DETECTEUR DE TEMPERATURE	1			1		



Motor / Moteur / Motor / Moteur

Pos.	Ref. no.	Betegnelse Description	Bezeichnung Description	2300 A	2302 A	2500 A	2502 A	2700 A	2702 A
01	06360591	MOTOR INCL. SKRÅSKIVE, G2500 1X230V 50HZ MOTOR INCL. CAM DISC, G2500 1X230V 50HZ	MOTEUR AVEC DISQUE INCLIN			1	1		
01	06360592	MOTOR INCL. SKRÅSKIVE, G2500 1X230V 60HZ MOTOR INCL. CAM DISC, G2500 1X230V 60HZ	MOTEUR INCL. DISQUE INCL., G2500 1X230V 60HZ			1	1		
01	06360593	MOTOR INCL. SKRÅSKIVE, G2700 3X230/400/415V 50HZ MOTOR INCL. CAM DISC, G2700 3X230/400/415V 50HZ	MOTEUR AVEC DISQUE INCLIN				1	1	1
01	06360594	MOTOR INCL. SKRÅSKIVE, G2700 3X230V 60HZ MOTOR INCL. CAM DISC, G2700 3X230V 60HZ	MOTEUR INCL. DISQUE INCL., G2700 3X230V 60HZ				1	1	1
01	06360595	MOTOR INCL. SKRÅSKIVE, G2700 3X200V 50HZ MOTOR INCL. CAM DISC, G2700 3X200V 50HZ	MOTEUR INCL. DISQUE INCL., G2700 3X200V 50HZ				1	1	1
01	06360596	MOTOR INCL. SKRÅSKIVE, G2700 3X200V 60HZ MOTOR INCL. CAM DISC, G2700 3X200V 60HZ	MOTEUR INCL. DISQUE INCL., G2700 3X200V 60HZ				1	1	1
01	06360599	MOTOR INCL. SKRÅSKIVE, G2300 1X230V 50HZ MOTOR INCL. CAM DISC, G2300 1X230V 50HZ	MOTEUR AVEC DISQUE INCLIN	1	1				
01	06360638	MOTOR INC. SKRÅSKIVE G2302.1X100V 50HZ MOTOR INCL. CAM DISC G2302.1X100V 50HZ	MOTOR M.BOGENSCHIEB.G2302.1X100V 50HZ MOTEUR AVEC DISQUE INCLIN,1X100V 50HZ		1				
01	06360639	MOTOR INC. SKRÅSKIVE G2302.1X100V 60HZ MOTOR INCL. CAM DISC G2302.1X100V 60HZ	MOTOR M.BOGENSCHIEB.G2302.1X100V 60HZ MOTEUR AVEC DISQUE INCLIN,1X100V 50HZ		1				
01A	06070778	SKRUE, 3,9X9,5 SCREW, 3,9X9,5	VIS, 3,9X9,5	4	4	4	4	4	4
01B	06270367	VENTILATIONSDEKSEL, NICO FAN COVER, NICO	COUVERCLE A VENTILATION, NICO	1	1	1	1	1	1
01C	06270338	KOBLING, KPL. COUPLING, CPL.	ACCOUPLLEMENT CPL.	1	1	1	1	1	1
01D	06270336	VENTILATORVINGE FAN BLADE	HELICE G 230 - 250 - 270	1	1	1	1	1	1
01E	06070796	SÆTSKRUE GALV M6X20 SCREW 6X20	SCHRAUBE 6X20 VIS D'ARRRET GALVANISEE	4	4	4	4	4	4
01F	06080016	SPÆNDESKIVE, 6 MM TENSION DISC, 6 MM	FEDERSCHIEBE, GALV. RONDELLE DE SERRAGE	4	4	4	4	4	4
01G	06270337	MOTORFLANGE MOTOR FLANGE	BRIDE DE MOTEUR	1	1	1	1	1	1
01H	06270363	MOTOR KPL., 1X230V50HZ1.8KW MOTOR CPL., 1X230V50HZ1.8KW	MOTEUR 1X230 -50HZ P/2300	1	1				
01H	06270364	MOTOR KPL., 1X230V50HZ2.3KW MOTOR CPL., 1X230V50HZ2.3KW	MOTEUR 1X230-50 HZ P/2500			1	1		
01H	06270365	MOTOR KPL., 3X400V50HZ3.0KW MOTOR CPL., 3X400V50HZ3.0KW	MOTEUR 2700 - 3X380 -50HZ					1	1
01H	06270375	MOTOR KPL., 1X230V60HZ2.3KW MOTOR CPL., 1X230V60HZ2.3KW	MOTEUR CPL., 1X230V60HZ2.3KW			1	1		
01H	06270376	MOTOR KPL., 3X200V50/60HZ3KW MOTOR CPL., 3X200V50/60HZ3KW	MOTEUR CPL., 3X200V50/60HZ3KW					1	1
01I	06070868	SKRUE, 3,9X9,5 SCREW, 3,9X9,5	VIS, 3,9X9,5	4	4	4	4	4	4

Motor / Motor / Moteur

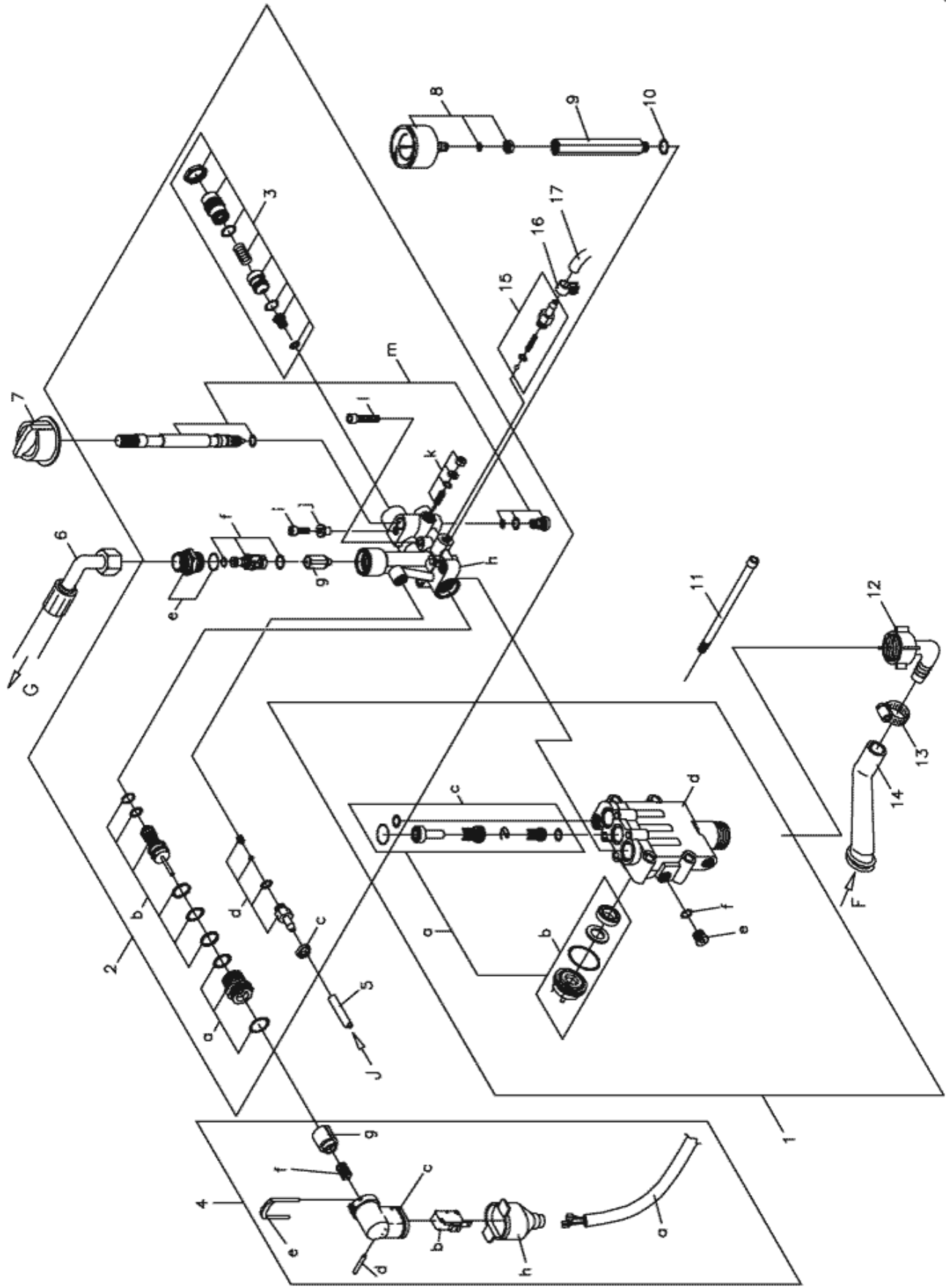
Pos.	Ref. no.	Betegnelse Description	Bezeichnung Description	2300 A	2302 A	2500 A	2502 A	2700 A	2702 A
01J	06120542	PAKNING GASKET	DICHTUNG F. LEITERKASSE JOINT P. BOITE A BORNES	1	1	1	1	1	1
02	06262158	ROTOR KPL., 2300 50HZ ROTOR CPL., 2300 50HZ	ROTOR CPL 2300-2302 50HZ	1	1				
02	06262159	ROTOR KPL., 2500 50HZ ROTOR CPL., 2500 50HZ	ROTOR CPL.2500-2502 50HZ			1	1		
02	06262160	ROTOR KPL., 2500 60HZ ROTOR CPL., 2500 60HZ	ROTOR CPL., 2500 60HZ			1	1		
02	06262161	ROTOR KPL., 2700 50HZ ROTOR CPL., 2700 50HZ	ROTOR CPL AV/DIS.IN 2700					1	1
02	06262162	ROTOR KPL., 2700 60HZ ROTOR CPL., 2700 60HZ	ROTOR CPL., 2700 60HZ					1	1
02	06262518	ROTOR KPL. G2302 100/50HZ ROTOR CPL. G2302 100/50HZ	ROTOR KPL. G2302 100/50HZ ROTOR CPL. G2302 100/50HZ		1				
02	06262519	ROTOR KPL. G2302 100/60HZ ROTOR CPL. G2302 100/60HZ	ROTOR KPL. G2302 100/60HZ ROTOR CPL. G2302 100/60HZ		1				
02A	06140039	KUGLELEJE BALL BEARING	KUGELLEAGER 6205 ZZR C3.L12 ROULEMENT 6205 G 600	1	1	1	1	1	1
02B	06270360	ROTOR M/AKSEL, 1X230V50HZ1.8KW ROTOR WITH AXLE, 1X230V50HZ1.8KW	ROTOR A. ARBRE, 1X230V50HZ1.8KW	1	1				
02B	06270361	ROTOR M/AKSEL, 1X230V50HZ2.3KW ROTOR WITH AXLE, 1X230V50HZ2.3KW	ROTOR A. ARBRE, 1X230V50HZ2.3KW			1	1		
02B	06270362	ROTOR M/AKSEL, 3X400V50HZ3.0KW ROTOR WITH AXLE, 3X400V50HZ3.0KW	ROTOR A. ARBRE, 3X400V50HZ3.0KW					1	1
02B	06270373	ROTOR M/AKSEL, 1/230 60HZ 2.3KW ROTOR WITH AXLE, 1/230 60HZ 2.3KW	ROTOR A. ARBRE, 1/230 60HZ 2.3KW			1	1		
02C	06181376	FLANGE FLANGE	BRIDE		1				
02D	06120552	SIMMERRING SEALING RING	BAGUE OBTURATEUSE P/HUILE	1	1	1	1	1	1
02E	06140064	KUGLELEJE BALL BEARING	BUTEE 230/250/270	1	1	1	1	1	1
02F	06280187	TOLERANCERING, 18X16X18 TOLERANCE RING, 18X16X18	LEHRRING ANNEAU DE TOLERANCE TE18X	1	1	1	1	1	1
02G	06181397	SKRÅSKIVE, 9,85 CAM DISC, 9,85	BOGENSCHEIBE DISQUE INCLINE					1	1
02G	06181431	SKRÅSKIVE, 6,7 CAM DISC, 6,7	DISQUE INCLINÉ, 6,7		1				
02G	06181432	SKRÅSKIVE, 5,50 CAM DISC, 5,5	DISQUE INCLINÉ, 5,5		1				
02G	06181500	SKRÅSKIVE, 8,05 CAM DISC, 8,05	DISQUE INCLINE 2300-8.05#	1	1				
02G	06262238	SKRÅSKIVE 12 GR CAM DISC, 12,00	DISQUE INCLINE POUR 270					1	1

Motor / Motor / Moteur

Pos.	Ref. no.	Betegnelse Description	Bezeichnung Description	2300 A	2302 A	2500 A	2502 A	2700 A	2702 A
02H	06120268	O-RING, Ø74,00X2,00 O-RING, Ø74,00X2,00	O-RING JOINT TORIQUE DIAM 7,4 X	1	1	1	1	1	1
03	06262202	BLÆSERHUS KOMPL. IMPELLER HOUSING CPL.	CORPS SOUFFLANT	1	1	1	1	1	1
03A	06070879	SÆTSKRUE, M5X20 SET SCREW, M5X20	VIS D'ARRET, M5X20	1	1	1	1	1	1
03B	06230368	SPJÆLD FOR BLÆSERHUS DAMPER FOR IMPELLER HOUSING	REGULATEUR P/CORPS SOUFFL	1	1	1	1	1	1
03C	06070866	SKRUE, 3,5X12 SCREW, 3,5X12	SCHRAUBE VIS POUR 230/250	7	7	7	7	7	7
03D	06080084	MØTRIK, M5 NUT, M5	MUTTER, GALV. ECROU GALVANISE	1	1	1	1	1	1
03E	06070878	PLASTTITE, M5X20 PLASTTITE, M5X20	PLASTTITE, M5X20	4	4	4	4	4	4
03F	06230369	BLÆSERHUS OVERPART BURNER HOUSING UPPER PART	CORPS ROUE SOUFFLANTE2000	1	1	1	1	1	1
03G	06070163	UNBRACO SKRUE, M8X12 ALLEN SCREW, M8X12	IMBUSSBOLZEN VIS PIVOT 8 X 12	1	1	1	1	1	1
03H	06230372	BLÆSERHJUL, Ø146X52 IMPELLER WHEEL, Ø146X52	ROUE SOUFFL.4102/502/802	1	1	1	1	1	1
03I	06230370	BLÆSERHUS UNDERPART BURNER HOUSING UNDER PART	CORPS ROUE SOUFFLANTE2000	1	1	1	1	1	1
04	06262165	STEMPELSTYR, KPL., 23/2500 PISTON GUIDE, CPL., 23/2500	GUIDE PISTON	1	1	1	1	1	1
04	06262167	STEMPELSTYR, KPL., 2700 PISTON GUIDE, CPL., 2700	GUIDE PISTON G 2700					1	1
04A	06120268	O-RING, Ø74,00X2,00 O-RING, Ø74,00X2,00	O-RING JOINT TORIQUE DIAM 7,4 X	1	1	1	1	1	1
04B	06181467	STEMPELSTYR, 2000 PISTON GUIDE, 2000	GUIDE PISTON 2300/2500/	1	1	1	1	1	1
04C	06070452	UNBRACO SKRUE, M8X20 ALLEN SCREW, M8X20	IMBUSSBOLZEN, GALV. INTRAVIS 8X20 GALV.	4	4	4	4	4	4
04D	06120540	OLIETÆTNINGSRING, Ø14X22X7 OIL SEALING RING, Ø14X22X7	ÖLDICHTUNGSRING JOINT D'HUILE14X22X7/6 14X22X7/6	3	3	3	3	3	3
04F	06120381	O-RING, 18,00X2,00 N70 O-RING, 18,00X2,00 N70	O-RING ¥18X2	1	1	1	1	1	1
04G	06181419	PROP, Ø24X12 PLUG, Ø24X12	BOUCHON 2300/2500/2700	1	1	1	1	1	1
04H	06211655	STEMPEL, KPL. PISTON, CPL.	KOLBEN PISTON	3	3	3	3	3	3
04H	06211679	STEMPEL G-270 KPL. PISTON, CPL.	KOLBEN KPL. PISTON G 270 =REF 211655					3	3
04I	06280194	TILHOLDERFJEDER PRESSURE SPRING	RESSORT D/PRESSION250/270	3	3	3	3	3	3

Motor / Motor / Moteur

Pos.	Ref. no.	Betegnelse Description	Bezeichnung Description	2300 A	2302 A	2500 A	2502 A	2700 A	2702 A
05	06110357	SPÆNDEBAND, Ø65/89 RETAINING RING, Ø65/89	FRETTE, □65/89	2	2	2	2	2	2
06	06110649	SUPERFLEX FOR OLIEFYR 70 X 380 SUPER TUBING FOR OIL BURNER, Ø70 X 380	TUYAU GO DIA70X 380MM	1	1	1	1	1	1
07	06260843	KIT FOR TRYKLEJE, JET/MINI-HOT KIT FOR THRUST BEARING, JET/MINI-HOT	BOGENSCHEIBELAGERKIT KIT P/PALIER BUTEE 2300/ 2500	1	1	1	1		
07	06261984	KIT FOR TRYKLEJE KIT FOR THRUST BEARING, 270	KIT F. DRUCKLAGER KIT P/PALIER BUTEE P/2700					1	1
08	06262203	STEMPEL FOR OLIEPUMPE KPL PISTON FOR OIL PUMP CPL.	PISTON P/POMPE GAS OIL	1	1	1	1	1	1
08E	06120508	OLIETÆTNINGSRING, Ø6/Ø16/5 OIL SEALING RING, Ø6/Ø16/5	ANNEAU P/POMPE HUILE 2300	1	1	1	1	1	1
08J	06262241	STEMPEL FOR OLIEPUMPE PISTON FOR OIL PUMP	PISTON P/POMPE HUILE 2300	1	1	1	1	1	1
08K	06280196	TRYKFJEDER PRESSURE SPRING	RESSORT DE PRESSION	1	1	1	1	1	1



Pumpe / Pump / Pumpe / Pompe / Pomp

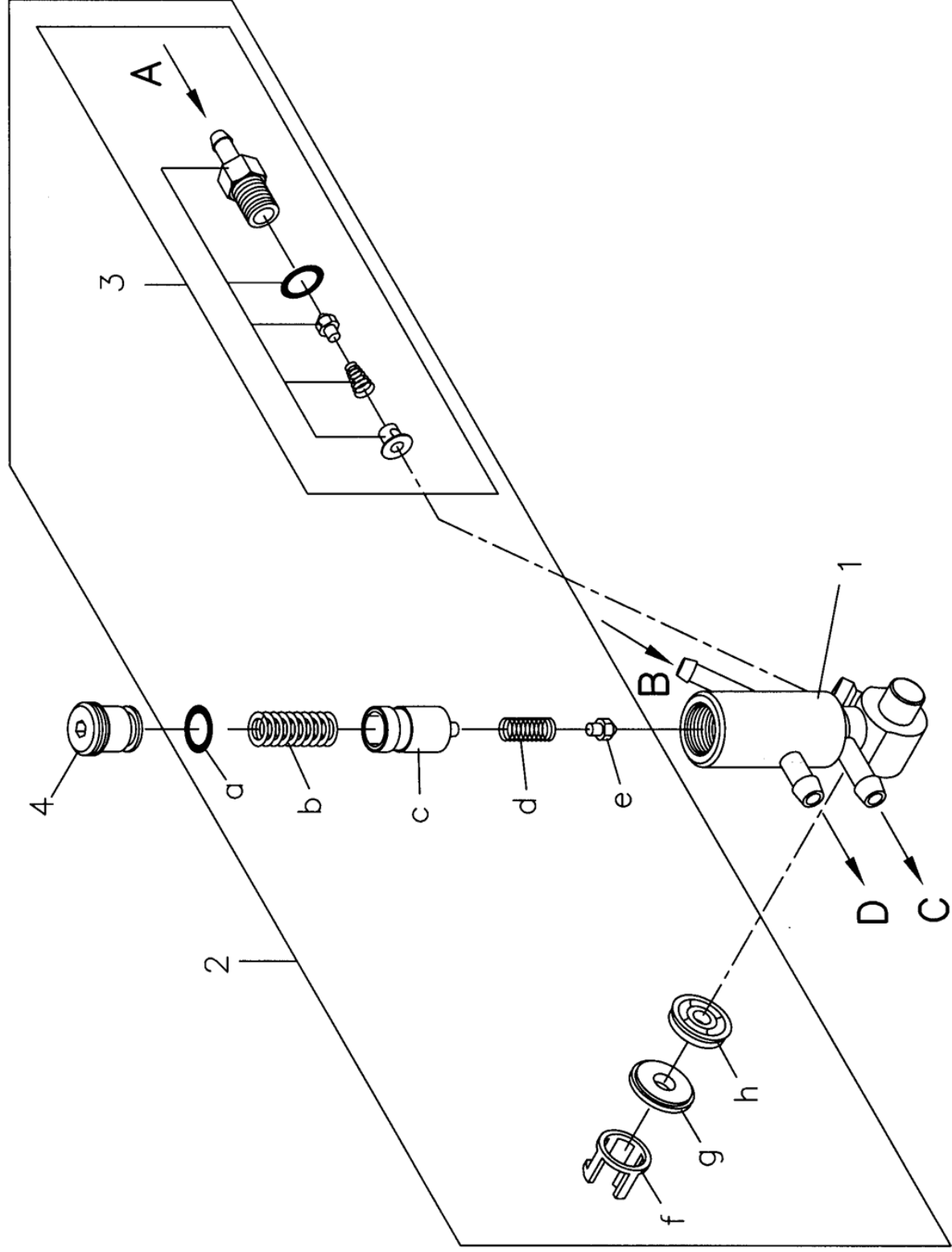
Pos.	Ref. no.	Betegnelse Description	Bezeichnung Description	2300 A	2302 A	2500 A	2502 A	2700 A	2702 A
01	06262175	TOPSTYKKE, 2000 CYLINDER HEAD, 2000	CULASSE 2300A/2500A/2700A	1	1	1	1	1	1
01A	06262174	KIT FOR PUMPE KIT FOR PUMP	KIT POMPE 2300/2500/2700A	1	1	1	1	1	1
01B	06262173	KIT FOR MANCHET KIT FOR CUP	KIT COUPELLES 2300/2500/	1	1	1	1	1	1
01C	06262172	KIT FOR VENTIL, 2000 KIT FOR VALVE, 2000	KIT CLAPETS2300/2500/2700	1	1	1	1	1	1
01D	06181437	TOPSTYKKE CYLINDER HEAD	CULASSE, MODIFIEE	1	1	1	1	1	1
01E	06200460	RØRPROP, 1/8" PLUG FOR PIPE, 1/8"	ROHRPROPFFEN BOUCHON A VIS 1/8"	3	3	3	3	3	3
01F	06120446	O-RING, 7,66X1,78 70 O-RING, 7,66X1,78 70	O-RING JOINT TORIQUE	3	3	3	3	3	3
02	06262179	TRYKMANIFOLD, KPL., G2300 PRESSURE MANIFOLD, CPL., G2300	COLLECTEUR PRESSION 2300A	1	1				
02	06262180	TRYKMANIFOLD, KPL., G2500 PRESSURE MANIFOLD, CPL., G2500	COLLECTEUR PRESSION 2500A			1	1		
02	06262181	TRYKMANIFOLD, KPL., G2700 PRESSURE MANIFOLD, CPL., G2700	COLLECTEUR PRESSION 2700A					1	1
02A	06211647	FORSKRUNING SCREWED CONNECTION	PFROPFFEN RACCORD	1	1	1	1	1	1
02B	06211648	OMLØBSVENTIL, KPL. BY-PASS VALVE, CPL.	UMLAUFVENTILE VANNE BY-PASS	1	1	1	1	1	1
02B	06262527	OMLØBSVENTIL 100V 50/60HZ BY-PASS VALVE 100V50/60HZ	UMLAUFVENTILE 100V50/60HZ VANNE BY-PASS 100V50/60HZ			1			
02C	06110494	SPÆNDEBÅND, 10-12 RETAINING RING, 10-12	SCHLAUCHSCHELLE 8- FRETTE	1	1	1	1	1	1
02D	06261484	KIT FOR KUGLEKONTRAVENTIL KIT FOR NON-RETURN VALVE	KIT F. RUECKSCHLAGVENTIL KIT VAN.ANTIRET.G300/400	1	1	1	1	1	1
02E	06262267	AFGANGSSTUDES OUTLET SOCKET	RACCORD DE DEPART 2300/	1	1	1	1	1	1
02F	06211650	INJEKTORDYSE INJECTOR NOZZLE	INJEKTORDUESE GICLEUR D'INJECTEUR N 230	1	1				
02F	06211651	INJEKTORDYSE INJECTOR NOZZLE	INJEKTORDÜSE GICLEUR INJECTEUR			1	1		
02F	06211678	INJEKTORDYSE INJECTOR NOZZLE	INJEKTORDÜSE GICLEUR D'INJECTEUR NG270					1	1
02G	06262239	TRYKAFLASTNINGSVENTIL VALVE FOR PRESSURE RELIEF	VANNE ANTI RETOUR	1	1	1	1	1	1
02H	06181463	TRYKMANIFOLD PRESSURE MANIFOLD	COLLECTEUR PRESSION	1	1	1	1	1	1
02I	06070458	UNBRACO SKRUE, M5X16 ALLEN SCREW, M5X16	VIS 5 X 16	1	1	1	1	1	1

Pumpe / Pump / Pumpe / Pomp

Pos.	Ref. no.	Betegnelse Description	Bezeichnung Description	2300 A	2302 A	2500 A	2502 A	2700 A	2702 A
02J	06181472	LASERING, Ø12X10 LOCKING RING, Ø12X10	JOINT D'ARRET, □12X10	1	1	1	1	1	1
02K	06261739	KIT FOR JUSTERSKRUEEN - SUPERTRIN KIT FOR ADJUSTING SCREW - STEAM DEVICE	JUSTIERSCHRAUBE VIS	1	1	1	1	1	1
02L	06070863	UNBRACO SKRUE, M6X35 ALLEN SCREW, M6X35	INBUSSSCHLÜSSEL VIS A TETE CYLINDRIQUE	4	4	4	4	4	4
02M	06262170	KIT SUPERTRIN STEAM DEVICE KIT	KIT POUR ETAGE SUPER	1	1	1	1	1	1
03	06262171	KIT FOR SIKKERHEDSVENTIL, 2000 KIT FOR SAFETY VALVE, 2000	KIT VANNE SECURITE 2300/	1	1	1	1	1	1
04	06262168	MICROSWITCH MICRO SWITCH	MICRO INTERRUPTEUR	1	1	1	1	1	1
04A	06161046	KABEL FOR MICROSWITCH, 2X1.5 MM2 655 MM CABEL FOR MICRO SWITCH, 2X1.5 MM2 655 MM	CACHE CAOUTCHOUC	1	1	1	1	1	1
04B	06161007	MICROSWITCH MARQUARD MICRO SWITCH	MIKROSCHALTER MICRO CONTACTMARQUARD MARQUARD	1	1	1	1	1	1
04C	06200462	HUS FOR MICROSWITCH HOUSING FOR MICRO SWITCH	INTERRUPEUR	1	1	1	1	1	1
04D	06200471	STIFT, Ø3X22.5 PIN, Ø3X22,5	STIFT CHEVILLE NOIRE PA Ø3X22,5	1	1	1	1	1	1
04E	06200469	LASEBØJLE LOCK FITTINGS	SCHLOSS JOINT D'ARRET NOIR PA	1	1	1	1	1	1
04F	06280193	FJEDER, 0,9X10X12X5V SPRING, 0,9X10X12X5V	RESSORT	1	1	1	1	1	1
04G	06200463	UNDERSTØTNING SUPPORT	SUPPORT	1	1	1	1	1	1
04H	06120532	GUMMIHÆTTE RUBBER CAP	GUMMIKAPPE CAPUCHON EN CAOUTCHOUC CAPUCHON EN						1
05	06110646	KEMISLANGE, Ø7X330 DETERGENT HOSE, Ø7X330	TUYAU DE DETERGENT, □7X330	1	1	1	1	1	1
06	06110648	HØJTRYKSSLANGE HIGH PRESSURE HOSE	TUYAU	1	1	1	1	1	1
07	06200497	DREJKNAP SUPERTRIN ADJUSTING SWITCH STEAM DEVICE	BOUTON ETAGE VAP. 2300/5/7	1	1	1	1	1	1
08	06211653	MANOMETER, KPL. PRESSURE GAUGE, CPL.	MANOMETER MANOMETRE 2300/2500/2700	1	1	1	1	1	1
09	06181471	AFSTANDSRØR, 13X108 DISTANCE PIECE, 13X108	TUYAU D'ECARTEMENT, 13X108	1	1	1	1	1	1
10	06120446	O-RING, 7,66X1,78 70 O-RING, 7,66X1,78 70	O-RING JOINT TORIQUE	1	1	1	1	1	1
11	06070867	UNBRACO SKRUE, M8X130 ALLEN SCREW, M8X130	INBUSSSCHLÜSSEL VIS A TETE CYLINDRIQUE	4	4	4	4	4	4
12	06030494	VINKELSTUDS, 1/2" 3/4 ANGLE SOCKET, 1/2" 3/4	WINKELSTUTZEN, KUNSTSTOFF SECTION D'ANGLE PLASTIQUE	1	1	1	1	1	1

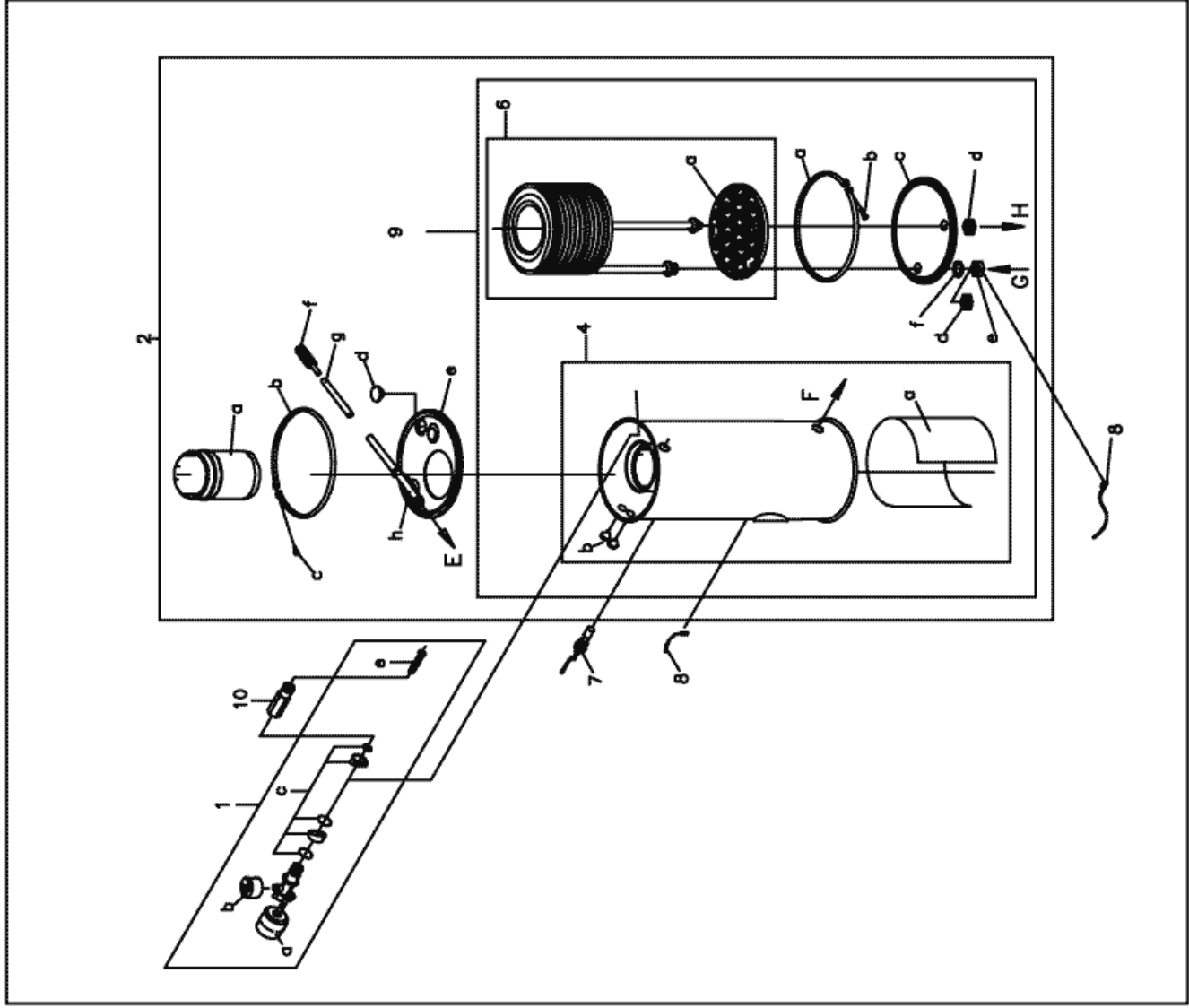
Pumpe / Pump / Pumpe / Pomp

Pos.	Ref. no.	Betegnelse Description	Bezeichnung Description	2300 A	2302 A	2500 A	2502 A	2700 A	2702 A
13	06110111	SPÆNDEBÅND, 13-20 RETAINING RING, 13-20	SCHLAUCHSCHELLE FRETTE	1	1	1	1	1	1
14	06120554	SUGESLANGE SUCTION HOSE	TUYAU D'ASPIRATION	1	1	1	1	1	1
15	06261534	STUDS SOCKET	STUTZEN RACCORD DE PURGE		1				
16	06110659	SPÆNDEBÅND, Ø11 RETAINING RING, Ø11	FRETTE, Ø11		1				
17	06110531	SLANGE, 830 MM HOSE, 830 MM	SCHLAUCH TUYAU GAS OIL		1				



Oliepumpe / Oil pump / Ölpumpen / Pomp d'hule

Pos.	Ref. no.	Betegnelse Description	Bezeichnung Description	2300 A	2302 A	2500 A	2502 A	2700 A	2702 A
0	06262178	OLIEPUMPE, KPL., G2000 OIL PUMP, CPL., G2000	POMP D"HUILE COMPLETEG2000	1	1	1	1	1	1
01	06181469	OLIEPUMPE, 190481 OIL PUMP, 190481	POMPE GAS OIL2300/500/700	1	1	1	1	1	1
02	06262177	SERVICEKIT FOR OLIEPUMPE, G2000 SERVICE KIT FOR OIL PUMP, G2000	KIT POMPE HUILE 2300/2500	1	1	1	1	1	1
02A	06120411	O-RING, 8,73X1,78 O-RING, 8,73X1,78	O-RING JOINT TORIQUE 8.73X1.78	1	1	1	1	1	1
02B	06280162	FJEDER, Ø9XØ5,6X23 SPRING, Ø9XØ5,6X23	RESSORT, □9X□5,6X23	1	1	1	1	1	1
02C	06181456	STEMPEL FOR OLIEPUMPE, Ø11,95X26 PISTON FOR OIL PUMP, Ø11,95X26	PISTON P. POMP D"HUILE, □11,95X26	1	1	1	1	1	1
02D	06280197	TRYKFJEDER PRESSURE SPRING	RESSORT DE PRESSION	1	1	1	1	1	1
02E	06190456	VENTILKEGLE VALVE CONE	VENTILKEGEL OELPUMPE CONE DE VANNIE POMPE D"HUI	1	1	1	1	1	1
02F	06181480	AFSTANDSSTYKKE DISTANCE PIECE	ENTRETOISE 2300/2500/2700	1	1	1	1	1	1
02G	06181468	RING, Ø18X2,5 RING, Ø18X2,5	ANNEAU 18X2.5-2300/2500	1	1	1	1	1	1
02H	06120507	MANCHET, Ø6/Ø15/3,5 FKM CUP, Ø6/Ø15/3,5 FKM	COUPELLE, □6/□15/3.5 FKM	1	1	1	1	1	1
03	06261537	SUGESTUDS OLIEPUMPE KPL. SUCTION SOCKET OIL PUMP	SAUGSTUTZEN OELPUMPE RAC.ASPI.POMPE GAS-OIL CP	1	1	1	1	1	1
04	06181063	JUSTERSKRUE, M14X16,5 ADJUSTING SCREW, M14X16,5	JUSTIERSCHRAUBE OELMESSSTAB VIS DE REGLAGE BOUCHON G-4000	1	1	1	1	1	1

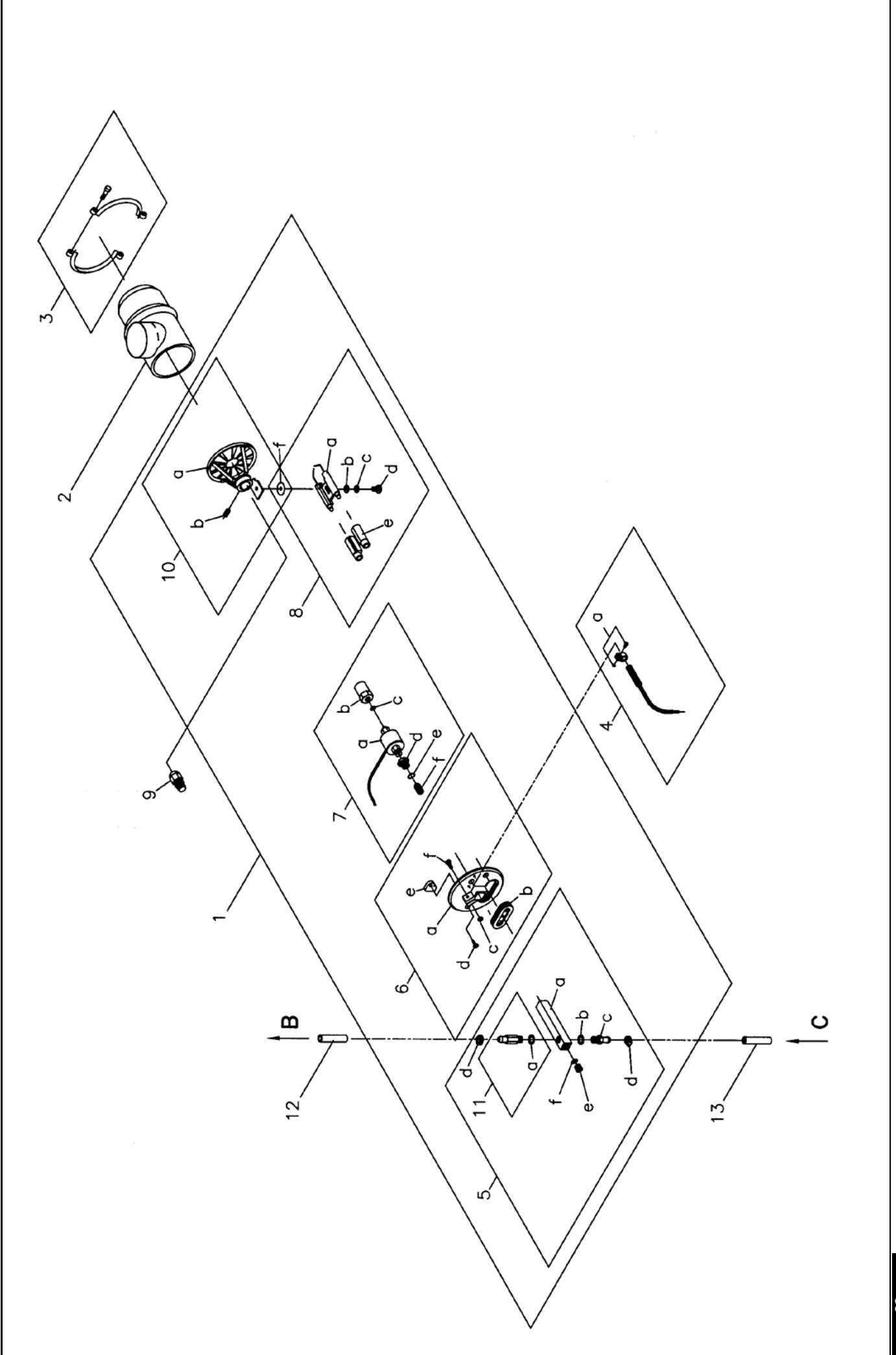


Kedel / Boiler / Kessel / Chaudière

Pos.	Ref. no.	Betegnelse Description	Bezeichnung Description	2300 A	2302 A	2500 A	2502 A	2700 A	2702 A
01	06262183	SVØMMERVENTIL KPL., G2000 FLOAT VALVE CPL., G2000	VANNE FLOTTEUR 2300/2500/ SCHWIMMVENTIL EINSCHL. MUTTER + DICHT. VANNE FLOTTEUR G-4000S ECS ECROU+JOINT	1	1	1	1	1	1
01A	06100347	SVØMMER KPL. FLOAT VALVE CPL.		1	1	1	1	1	1
01B	06120475	SVAMP FOR SVØMMER SPONGE FOR FLOAT	SCHWAMM F. SCHWIMMER EPONGE P. FLOTTEUR	1	1	1	1	1	1
01C	06262218	PAKNING FOR SVØMMER GASKET FOR FLOAT VALVE	JOINT POUR FLOTTEUR	1	1	1	1	1	1
01E	06100390	VANDFILTER WATER FILTER	FILTRE D'EAU	1	1	1	1	1	1
02	06262219	KEDEL KPL. M. SKORSTEN, G2000 BOILER CPL. W CHIMNEY, G2000	CHAUDIERE CPL. DE CHEMINEE, G2000	1	1	1	1	1	1
02A	06061431	SKORSTEN CHIMNEY	CHEMIN?E	1	1	1	1	1	1
02B	06110511	SPÆNDEBESLAG, Ø.270 FITTINGS, Ø.270	BESCHLAG CERCLE D'ASSEMBL.CHAUDIER	1	1	1	1	1	1
02C	06070809	SKRUE, 4X40 SCREW, 4X40	SCHRAUBE VIS	1	1	1	1	1	1
02D	06120543	PROP PLUG	CAPUCHON EN CAOUTCHOUC DIA.25	2	2	2	2	2	2
02E	06211547	LAG FOR KEDEL COVER FOR BOILER	DECKEL F. KESSEL COUVERCLE	1	1	1	1	1	1
02F	06100355	FILTER F.RENGØRINGSMIDDEL FILTER FOR DETERGENT	FILTER F. REINIGUNGSMITTEL FILTRE G-4000	1	1	1	1	1	1
02G	06110647	KEMISLANGE, Ø6X1900 MM DETERGENT HOSE, Ø6X1900 MM	TUYAU DE DETERGENT, □6X1900 MM	1	1	1	1	1	1
02H	06262243	GENNEMFØRING GROMMET	TRAVERSEE	1	1	1	1	1	1
04	06262182	KEDEL M. VARMEPLADE, G2000 BOILER WITH BOTTOM, G2000	CHAUDIERE 2300/2500/2700	1	1	1	1	1	1
04A	06061432	VARMEPLADE, 625X300X0.5 HEATING PLATE, 625X300X0.5	PLAQUE DE CHAUFFAGE	1	1	1	1	1	1
04B	06120111	PAKDASE, C 5-7 STUFFING BOX, C 5-7	STOPFBUCHSE PRESSE-ETOUPE CAOUTCHOUC	1	1	1	1	1	1
06	06262184	SPIRAL, 7-L 2000 FIBER HEATING COIL, 7-L 2000 FIBER	SERPENTIN 2300/2500/2700	1	1	1	1	1	1
06A	06120423	FIBERRONDEL, Ø25X16 INSULATION, Ø25X16	RUNDTIL ISOLATION CHAUDIERE G-300	1	1	1	1	1	1
07	06262209	NIVEAUFØLER LEVEL CONTROL	JAUGE DE NIVEAU D'EAU	1	1	1	1	1	1
08	06170264	OVERKOGSTERMOSTST PRIMING THERMOSTAT	ÜBERHIZUNGSTHERMOSTST SONDE DE SURCH=170263	1	1	1	1	1	1
08	06262207	OVERKOGSSIKRING KPL PRIMING THERMOSTAT, G2000	THERMOSTAT DE PRIMAGE, G2000	1	1	1	1	1	1

Kedel / Boiler / Kessel / Chaudière

Pos.	Ref. no.	Betegnelse Description	Bezeichnung Description	2300 A	2302 A	2500 A	2502 A	2700 A	2702 A
09	06262193	KEDEL INCL. SPIRAL KPL. BOILER CPL., G2000	CHAUDIÈRE CPL., G2000	1	1	1	1	1	1
09A	06110511	SPÆNDEBESLAG, Ø.270 FITTINGS, Ø.270	BESCHLAG CERCLE D'ASSEMBL.CHAUDIÈRE	1	1	1	1	1	1
09B	06070801	UNBRACO SKRUE, M6X35 ALLEN SCREW, M6X35	IMBUSS TÊTE CYLINDRIQUE	1	1	1	1	1	1
09C	06061212	BUND FOR KEDEL, Ø280X1,0 BOTTOM FOR BOILER, Ø280X1,0	BODEN F. KESSEL FOND DE CHAUDIÈRE G-4000	1	1	1	1	1	1
09D	06181129	MØTRIK, 36X8 NUT, 36X8	GEGENMUTTER ECROU G-3000	2	1	2	1	2	1
09E	06181568	MØTRIK FOR OVERKOGSFØLER NUT 36X13	MUTTER 36X13 ECROU DE LAITON 36X13	1	1	1	1	1	1
10	06181479	TILGANGSSTUDS, 29X95 INLET SOCKET, 29X95	RACCORD D'ENTRÉE	1	1	1	1	1	1



Oliefyr / Oilburner / Ölbrenner / Brulerur

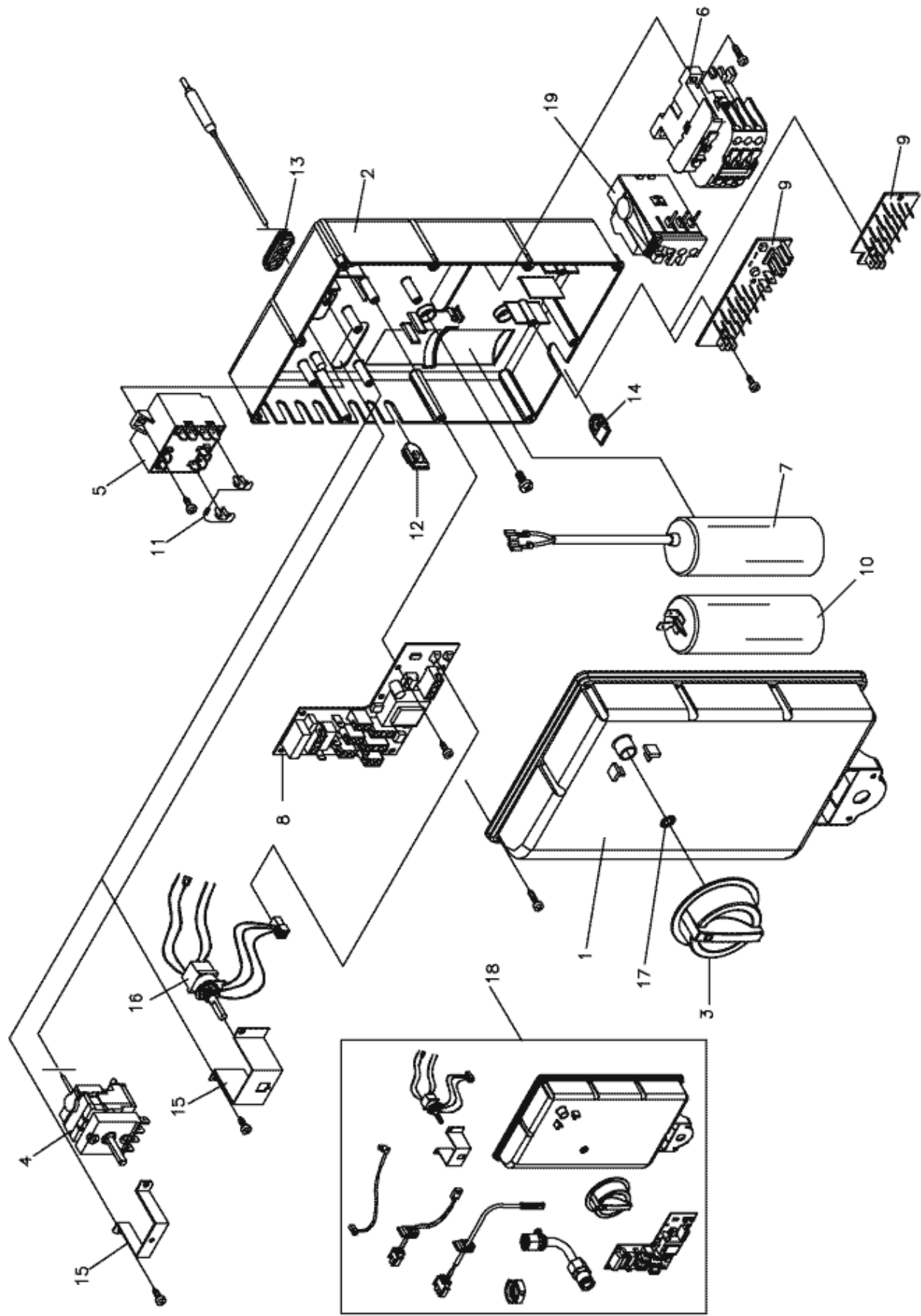
Pos.	Ref. no.	Betegnelse Description	Bezeichnung Description	2300 A	2302 A	2500 A	2502 A	2700 A	2702 A
01	06262192	BRÆNDER, 230V BURNER, 230V	BRULEUR CPL (SAUF GICL HU	1	1	1	1	1	1
02	06230314	BRÆNDERHUS BURNER HOUSING	BRENNERGEHAUSE CORPS DE COMBUSTIBLE					1	1
02	06230341	BRJNDERR'R KPL., G3000 BURNER PIPE,CPL., G3000	BRENNERROHR TUYAU COMBUSTIBLE CPL. G-3000	1	1	1	1		
03	06261438	SPÆNDEBESLAG FITTINGS	ARMATURE DE SERRAGE	1	1	1	1	1	1
04	06262185	FOTOCELLE, G2000 PHOTOCELL, G2000	CELLULE PHOTOELECTRIQUE	1	1	1	1	1	1
04A	06230330	SPÆNDERING RETAINING RING	SCHLAUCHSCHELLE F. PHOTOZELLE ANNEAU DE SERRAGE	1	1	1	1	1	1
05	06262217	DYSERØR KPL NOZZLE PIPE CPL.	TUBE DE GICLEUR CPL.	1	1	1	1	1	1
05A	06181108	DYSERØR, 15X15X95 NOZZLE PIPE, 15X15X95	DUESEROHR TUBE INJECTEUR FUEL	1	1	1	1	1	1
05B	06120325	KOBBERPAKNING, 10/13.5 COPPER GASKET, 10/13.5	KUPFERDICHTUNG JOINT	1	1	1	1	1	1
05C	06181197	UDLUFTINGSSTUDES SOCKET FOR AIR ESCAPE COCK	RACCORD DE PURGE	1	1	1	1	1	1
05D	06110677	SPÆNDEBAND, Ø12 RETAINING RING, Ø12	FRETTE, □12	2	2	2	2	2	2
05E	06181061	PROP, 1/8"RGX8 PLUG, 1/8"RGX8	PFRÖPFEN F. OELMESSTAB CAPUCHON	1	1	1	1	1	1
05F	06120087	O-RING, 5.28X1,78 O-RING, 5.28X1,78	O-RING JOINT TORIQUE	1	1	1	1	1	1
06	06262190	DÆKSEL COVER	COUVERTURE CPL. BRULEUR	1	1	1	1	1	1
06A	06200335	DÆKSEL FOR BRÆNDERHUS, 3000/4000 COVER FOR BURNER HOUSING, 3000/4000	DECKEL F. BRENNERGEHAUSE COUVERCLE P.CORPS DEBUSTIBUSTIBLE	1	1	1	1	1	1
06B	06200357	GUMMIGENNEMFØRING RUBBER GROMMET	GUMMIDURCHFUEHRUNG JOINT	1	1	1	1	1	1
06C	06080056	MØTRIK, M4 NUT, M4	MUTTER, GALV. ECROU	1	1	1	1	1	1
06D	06070810	SKRUE, 4.8X19 SCREW, 4.8X19	SCHRAUBE VIS POUR BUTEE G-4500	2	2	2	2	2	2
06E	06200360	LÅSEPAL FOR DÆKSEL LOCKING PAWL	SCHLISSSCHALTKLINKE F. DECKEL BUTEE DE CANNE DE BRULEURCILE	1	1	1	1	1	1
06F	06070341	SKRUE, 4X16 SCREW, 4X16	SCHRAUBE P/K, GALV. VIS	1	1	1	1	1	1
07	06262189	MAGNETVENTIL. KPL., 230V SOLENOID VALVE. CPL., 230V	VANNE MAGNETIQUE CPL 2000	1	1	1	1	1	1
07	06262244	MAGNETVENTIL. KPL., 200V SOLENOID VALVE. CPL., 200V	VANNE MAGNETIQUE. CPL., 200V			1	1	1	1

Oliefyr / Oilburner / Ölbrenner / Brulerur

Pos.	Ref. no.	Betegnelse Description	Bezeichnung Description	2300 A	2302 A	2500 A	2502 A	2700 A	2702 A
07A	06262240	MAGNETVENTIL, 230V SOLENOID VALVE, 230V	VANNE MAGNETIQUE, 230V	1	1	1	1	1	1
07A	06262245	MAGNETVENTIL, 200V 110V SOLENOID VALVE; 200V 110V	VANNE MAGNETIQUE, 200V 110V			1	1	1	1
07B	06181107	DYSEHOLDER, 19X30 NOZZLE HOLDER, 19X30	DUESEHALTER SUPPORT GICLEUR	1	1	1	1	1	1
07C	06120265	O-RING, 7X1.5 O-RING, 7X1.5	O-RING JOINT	1	1	1	1	1	1
07D	06181221	FORSKRUNING, 17X12 SCREWED CONNECTION, 17X12	RACCORD A VIS, 17X12	1	1	1	1	1	1
07E	06120383	O-RING, 11X1.5 O-RING, 11X1.5	O-RING JOINT TORIQUE G-4000	1	1	1	1	1	1
07F	06090177	DYSEFILTER, 1/4" NOZZLE FILTER, 1/4"	DUESENFILTER FILTRE POUR GICLEUR 12680 12687	1	1	1	1	1	1
08	06262188	TÆNDELEKTRODE IGNITION ELECTRODE	KIT ELECTRODE2300/2500/27	1	1	1	1	1	1
08A	06230336	TÆNDELEKTRODE IGNITION ELECTRODE	ZUENDELEKTRODE ELECTRODE D'ALLUMAGE	1	1	1	1	1	1
08B	06080087	SPÆNDESKIVE, M8 TENSION DISC, M8	SCHEIBE, GALV. DISQUE	1	1	1	1	1	1
08C	06080162	FJEDERSKIVE, M5 SPRING WASHER, M5	FEDERSCHEIBE DISQUE	1	1	1	1	1	1
08D	06070344	SKRUE, 5X12 SCREW, 5X12	SCHRAUBE, P/K, GALV. VIS T/L GALV.	1	1	1	1	1	1
08E	06120557	GUMMIHÆTTE RUBBER CAP	CAPUCHON CAOUT.SERIE 4002	1	1	1	1	1	1
08F	06080212	UNDERLAGSSKIVE, Ø20XØ5X0.5 WASHER, Ø20XØ5X0.5	BOLZENSCHIBE RONDELLE	1	1	1	1	1	1
09	06230291	OLIEDYSE 1,10 GALL OIL NOZZLE, 1,10 GALL 3,6 KG 80GR-H	OELDUESE GICLEUR D"HUILE 1,10 G G1.				1	1	1
09	06230325	OLIEDYSE, 0,85 GALL. 2,8 KG 80GR-H OIL NOZZLE, 0,85 GALL. 2,8 KG 80GR-H	GICLEUR FUEL 0.85 GAL0.30			1	1		
09	06230360	OLIEDYSE, 0,55 GALL. 80H OIL NOZZLE; 0,55 GALL. 80H	OELDUESE GICLEUR D"HUILE 0.55 GALL 80H			1			
09	06230373	OLIEDYSE, 0,65 GALL 80GR-H OIL NOZZLE, 0,65 GALL 80GR-H	GICLEUR FUEL 0.65/GAL 80	1	1	1	1	1	1
10	06262187	BLANDESKIVE MIXING DISC	DISQUE DE MELANGE G2000	1	1	1	1	1	1
10A	06230331	BLANDESKIVE MIXING DISC	LUFTMISCHSCHIBE DISQUE D'EMULSION G-3000/	1	1	1	1	1	1
10B	06070047	UNBRACO PINOLSKRUE, M6X6 ALLEN POINTED SCREW, M6X6	IMBUSSREITSTOCKSCHRAUBE VISQUE	1	1	1	1	1	1
11	06262191	UDLUFNINGSSSTUDES, G2000 SOCKET FOR AIR ESCAPE COCK, G2000	RACCORD DE PURGE, G2000	1	1	1	1	1	1

Oliefyr / Oilburner / Ölbrenner / Brulerur

Pos.	Ref. no.	Betegnelse Description	Bezeichnung Description	2300 A	2302 A	2500 A	2502 A	2700 A	2702 A
11A	06120325	KOBBERPAKNING, 10/13,5 COPPER GASKET, 10/13,5	KUPFERDICHTUNG JOINT	1	1	1	1	1	1
12	06110653	OLIESLANGE RETUR BRÆNDER OIL HOSE, Ø6XØ9X650	TUYAU D'HUILE □6X□9X650	1	1	1	1	1	1
13	06110652	OLIESLANGE TILG.BRÆNDER HOSE, 1/4"X350 MM	TUYAU GO 650MM	1	1	1	1	1	1



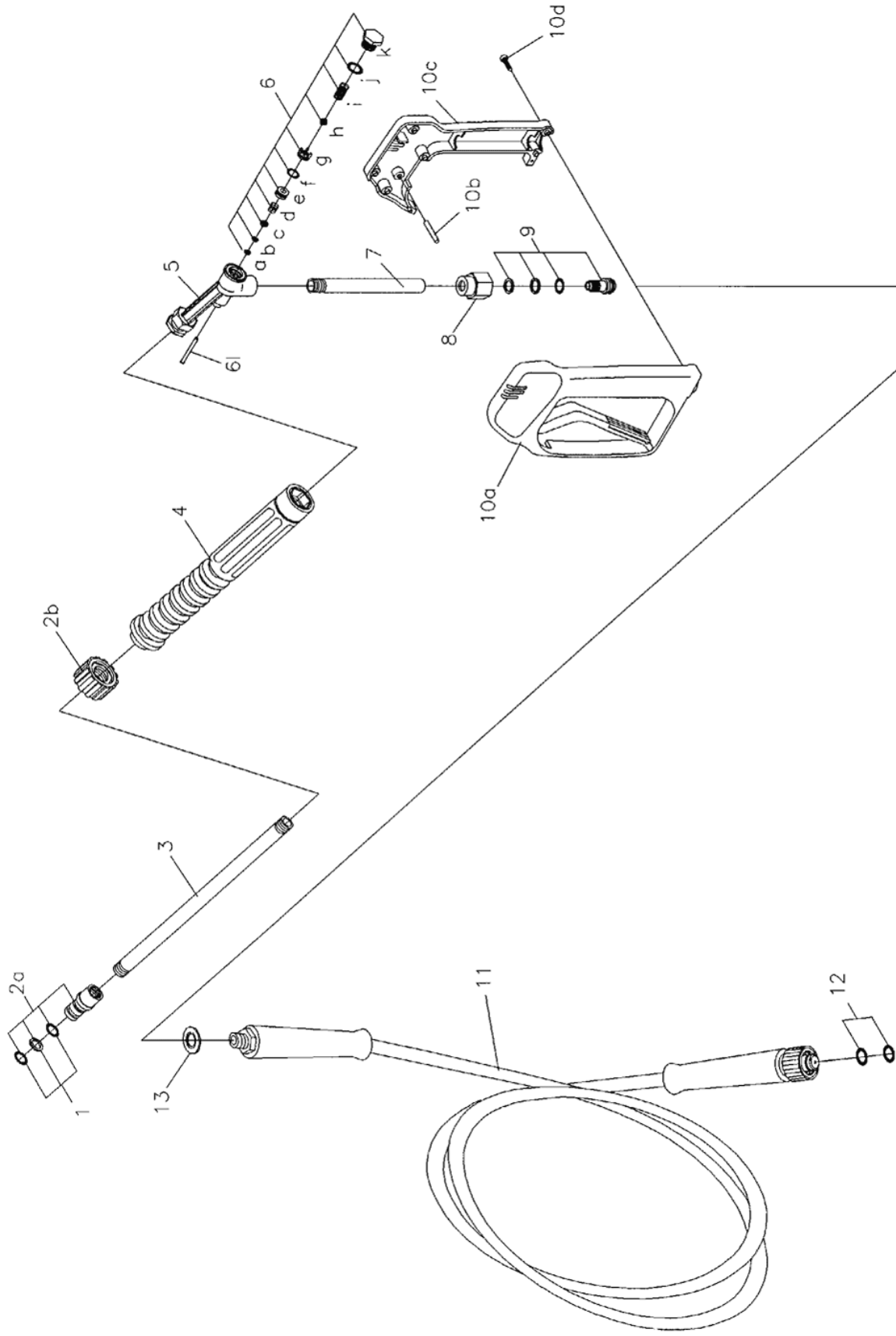
El-komponenter / Electric components / Elektrische komponente / Composantes électrique

Pos.	Ref. no.	Betegnelse Description	Bezeichnung Description	2300 A	2302 A	2500 A	2502 A	2700 A	2702 A
01	06200493	ELKASSELÖG COVER FOR ELECTRIC BOX	COUVERCL-BOITE ELECT2300/	1	1	1	1	1	1
02	06200492	ELKASSEBUND, 2000 BOTTOM FOR ELECTRIC BOX, 2000	FOND BOITE ELECTRIQUE2300	1	1	1	1	1	1
02	06200583	ELKASSEBUND 100V 50/60HZ BOTTOM ELECTRIC BOX 100V	BODEN ELEKTROKASTEN 100V FOND DE BOITE ELEC. 100V	1					
03	06200495	DREJEKNAP STARTI/STOP ADJUSTING SWITCH ON/OFF	BOUON MARCHE/ARRET	1	1	1	1	1	1
04	06170247	TERMOSTAT, 0-140°C THERMOSTAT, 0-140°C	THERMOSTAT	1	1	1	1	1	1
05	06262054	STARTRELÆ, 1X230V-50HZ - (10A) STARTING RELAY, 1X230V-50HZ - (10A)	RELAIS DE MISE EN MARCHÉ	1					
05	06262055	STARTRELÆ, 1X230V-60HZ STARTING RELAY, 1X230V-60HZ	RELAIS DE DEMARRAGE, 1X230V-60HZ			1	1		
05	06262056	STARTRELÆ, 1X100/110V-50HZ STARTING RELAY, 1X100/110V-50HZ	RELAIS DE DEMARRAGE, 1X100/110V-50HZ		1				
05	06262528	STARTRELÆ KPL 100V 60HZ STARTING RELAY 100V 60HZ	ANLASSRELAIS 100V 60HZ RELAIS DE MARRAGE 100/60		1				
06	06160508	KONTAKTOR 12A 24V/50-60HZ CONTACTOR, 12A 24V/50-60HZ 230V	SCHUETZ CONTACTEUR CI12 220V/50-6	1	1	1	1		1
06	06160824	KONTAKTOR, 12A 3X400/415V-50HZ CONTACTOR, 12A 3X400/415V-50HZ	SCHUETZ CONTACTEUR 400V - CI12					1	1
06	06161100	KONTAKTOR 100V 50HZ CONTACTOR 100V 50HZ	SCHÜTZ 100V 50HZ CONTACTEUR 100V 50HZ		1				
06	06161103	KONTAKTOR 100V 60HZ CONTACTOR 100V 60HZ	SCHÜTZ 100V 60HZ CONTACTEUR 100V 60HZ		1				
07	06270325	DRIFTSKONDENSATOR 32YF WORKING CAPACITOR, 1X230V-50HZ-(10A)	BETRIEBSKONDENSATOR CONDENSATEUR	1	1				
07	06270326	DRIFTSKONDENSATOR, 50YF WORKING CAPACITOR, 50MF-450-50	BETRIEBSKONDENSATOR CONDENSATEUR	1	1				
07	06270341	DRIFTSKONDENSATOR, 55MFOR 450-55 WORKING CAPACITOR, 55MFOR 450-55	ANLASSKONDENSATOR CONDENSATEUR DE MARCHÉ		2				
07	06270346	DRIFTSKONDENSATOR, 40MFOR 450 WORKING CAPACITOR, 40MFOR 450	CONDENSATEUR DE MARCHÉ, 40MFOR 450		2				
08	06170258	PRINT, G2002 200-230V PRINT, G2002 200-230V	CARTE ELECTRO.SERIE2002A		1		1		1
08	06170272	PRINT 110V PRINT 110V	PRINT 110V CARTE ELECTRONIQUE 110V		1				
09	06170253	TERMINAL TIL EL-KASSE TERMINAL FOR ELECTRIC BOX, G2000	TERMINAL P/BOITE ELECTRIQ	1	1	1	1	1	1
09	06170262	FASE CONTROL PRINT, G2000 PHASE SEQUENCE CONTROL PRINT, G2000	PHASE SEQUENCE CONTROL PRINT, G2000						1
10	06270341	DRIFTSKONDENSATOR, 55MFOR 450-55 WORKING CAPACITOR, 55MFOR 450-55	ANLASSKONDENSATOR CONDENSATEUR DE MARCHÉ	1	1	1	1	1	1

El-komponenter / Electric components / Elektrische komponente / Composantes électrique

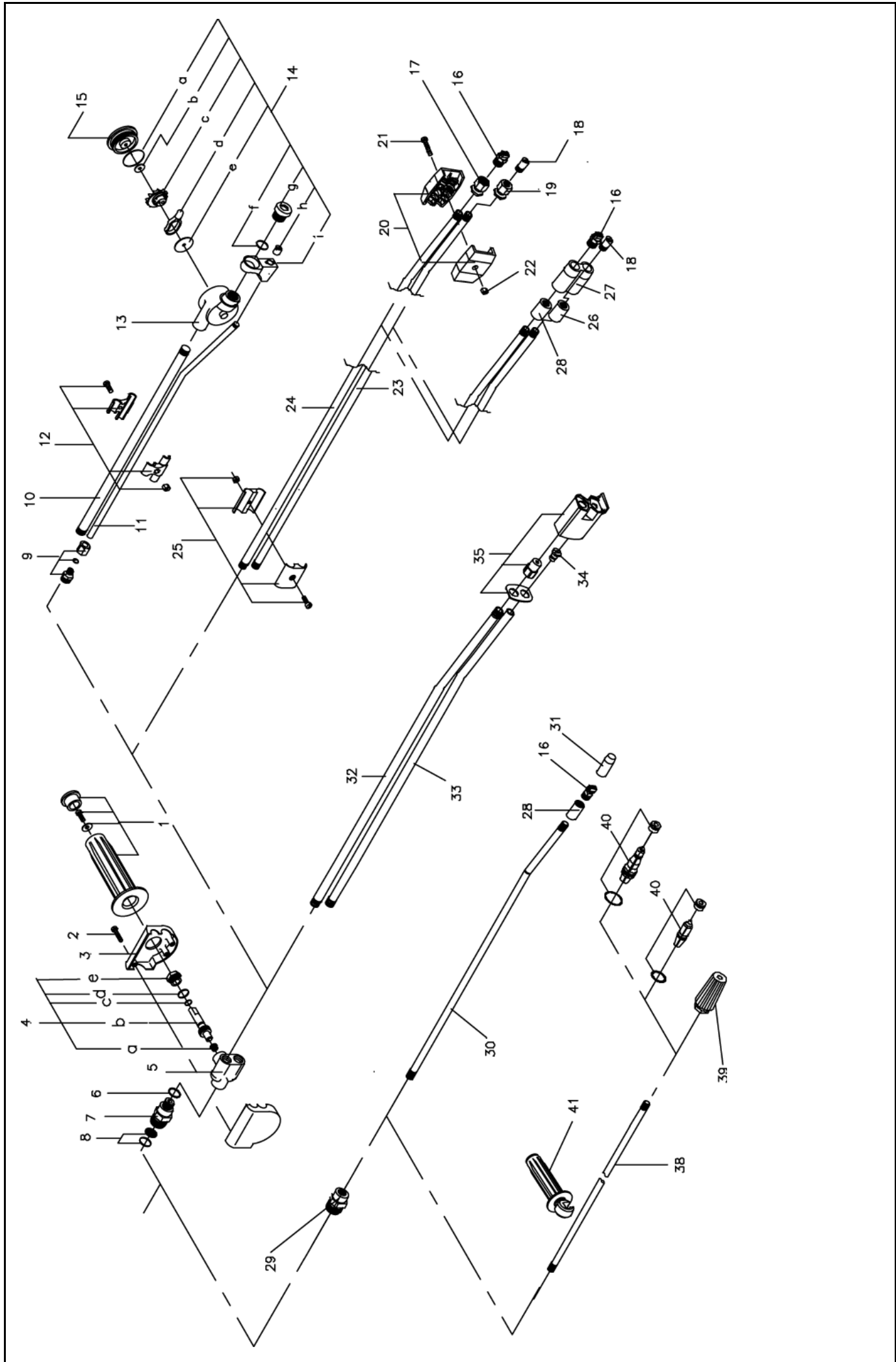
Pos.	Ref. no.	Betegnelse Description	Bezeichnung Description	2300 A	2302 A	2500 A	2502 A	2700 A	2702 A
11	06270330	MODSTAND, 33 KOHM 1W RESISTANCE, 33 KOHM 1W	R-SISTANCE P. EQUIPEMENT	1	1	1	1		
11	06270431	MODSTAND 2,2 KOHM 3W 110V MODSTAND 2,2 KOHM 110V RESISTENCE 2,2 KOHM 110V RESISTENCE 2,2 KOHM 110V	WIEDERSTAND 2,2 KOHM 110V RESISTENCE 2,2 KOHM 110V RESISTENCE 2,2 KOHM 110V RESISTENCE 2,2 KOHM 110V		1				
12	06120561	GUMMIGENNEMFØRING RUBBER GROMMET	TRAVERSEE CAOUTCHOUC2300/	1	1	1	1	1	1
13	06120558	GUMMIGENNEMFØRING RUBBER GROMMET	TRAVERSEE CAOUTCHOUC2300/	1	1	1	1	1	1
14	06120562	GUMMIGENNEMFØRING RUBBER GROMMET	TRAVERSEE CAOUTCHOUC2300/	1	1	1	1	1	1
15	06061418	SPÆNDEBESLAG FITTINGS	ARMATURE DE SERRAGE 2300	1		1			1
15	06061490	BESLAG FITTING	BESCHLAG ARMATURE		1		1		1
16	06170261	AFBRYDER/POT.METER, 2302/2502/2702 SWITCH/POTM., 2302/2502/2702	POTENTIOMETRE2302/502/702		1		1		1
17	06120579	O-RING Ø6,0X3,0 O-RING Ø6,0X3,0	O-RING Ø6,0X3,0 JOINT TORIQUE 6,0X3,0		1		1		1
18	06262385	KIT FOR STYRING , 2000 KIT FOR RELAY , 2000	SYST.PHOTO CELLULE G2000A	1			1		1
19	06161102	TERMORELÆ U12/16A 18 THERMAL RELAY U12/16A 18	THERMORELAIS U12/16A 18 RELAIS THERMIQUE U12/16A					1	

Pistol / Pistol / Pistole / Pistolet



Pistol / Pistole / Pistole / Pistolet

Pos.	Ref. no.	Betegnelse Description	Bezeichnung Description	2300 A	2302 A	2500 A	2502 A	2700 A	2702 A
0	06290057	PISTOL - ST 1100 - LANG MED SWIVEL, 22MM KOBLING PISTOL - ST 1100-LONG W. SWIVEL, 22 MM COUP.	PISTOLE PISTOLET	1	1	1	1	1	1
01	06261547	PAKNINGSKIT F. SKRUEKOBL. GASKET KIT FOR SCREW COUPLING	SCHRAUBKUPPLUNG KIT P. JOINTS TORIQUES RACC.A.VIS	1	1	1	1	1	1
02	06290062	SKRUEKOBLING SCREW COUPLING	SCHRAUBENKUPPLUNG RACCORD A VIS	1	1	1	1	1	1
03	06290066	FORRØR FOR PISTOL FRONT PIPE FOR PISTOL	VORDERROHR F. PISTOLE TUBE PISTOLET	1	1	1	1	1	1
04	06290067	KAPPE CAP	ABDECKUNG F. PISTOLE PROTECTION P/PISTOL.290057	1	1	1	1	1	1
05	06290068	PISTOLKROP PISTOL HOUSING	GEHÄUSE F. PISTOLE CORPS DE PISTOLET	1	1	1	1	1	1
06	06261926	SERVICEKIT FOR PISTOL SERVICE KIT FOR PISTOL	SERVICEKIT F. PISTOLE KIT DE SERVICE POUR	1	1	1	1	1	1
07	06290069	TILGANGSRØR INLET PIPE	EINLASSROHR F. PISTOLE TUYAU D ENTREE G230/250/	1	1	1	1	1	1
08	06290070	DREJELED SWIVEL	DREHGELENK RACCORD PISTOLET	1	1	1	1	1	1
09	06290061	PAKNINGSKIT FOR DREJELED GASKET KIT FOR SWIVEL	SERVICEKIT F. DREHGELENK KIT JOINT RACCORD	1	1	1	1	1	1
10	06290063	PISTOLHANDTAG, KPL. PISTOL HANDLE, CPL.	PISTOLENGEHÄUSE POIGNEE DU PISTOL.290057	1	1	1	1	1	1
11	06110636	HØJTRYKSSLANGE, DN8X10M HIGH PRESSURE HOSE, DN8X10M	FLEXIBLE HP10M=110475 2300/0	1	1	1	1	1	1
12	06260936	PAKNINGSKIT F. SKRUEKOBL. GASKET KIT FOR SCREW COUPLING	DICHUNGSKIT F. SCHRAUBENKUPPLUNG KIT JOINT RACCORD VIS	1	1	1	1	1	1
13	06120385	USITRING, 24X16,7X1,5 USIT RING, 24X16,7X1,5	USITRING JOINT D'ETANCHEITE G-4000	1	1	1	1	1	1



Lanser / Lances / Lanzen / Lance

Pos.	Ref. no.	Betegnelse Description	Bezeichnung Description	2300 A	2302 A	2500 A	2502 A	2700 A	2702 A
01	06260232	HANDTAGSKIT F. SPULERØR HANDLE KIT	HANDGRIFFKIT F. DOPPELLANZE KIT REPAR./POIGNÉE LANCE	1	1	1	1	1	1
02	06070479	SKRUE, 4X20 SCREW, 4X20	SCHNEIDSCHRAUBE, SCHWARZZINK VIS	3	3	3	3	3	3
03	06200097	PYNTEDÆKSEL F. VENTILHUS COVER F. VALVE HOUSING	STAUWKAPPE F. VENTILGEHAE COUVERCLEOR. D. VAN OR. D. VAN	1	1	1	1	1	1
04	06260860	VENTILSPINDEL KIT VALVE SPINDLE KIT	VENTILSPINDELKIT F. DRUCKREGELUNG KIT REGLAGE PRESSION DOUB	1	1	1	1	1	1
04C	06120006	O-RING, 6,75X1,78 O-RING, 6,75X1,78	O-RING JOINT TORIQUE MAT 4470	1	1	1	1	1	1
04D	06120010	O-RING, 13,1X1,6 O-RING, 13,1X1,6	O-RING JOINT TORIQUE MAT 4470	1	1	1	1	1	1
04E	06190245	MØTRIK NUT	MUTTER F. VENTIL ECROU POUR VANNE DOUB.LAN	1	1	1	1	1	1
05	06211078	VENTILHUS VALVE HOUSING	VENTILGEHAEUSE, KPL. CULASSE LANCE DOUBLE ET	1	1	1	1	1	1
06	06120188	O-RING, 10X2 O-RING, 10X2	O-RING JOINT TORIQUE	1	1	1	1	1	1
07	06030484	SKRUEKOBLING 1/4 UDV. SCREW COUPLING ROTATABLE, 1/4"	SCHR.KUPPLUNG DREHBAR F.DOPPELLANZE ACCOUPL. VIS TOURNANT DBL LANCE DOUBLE	1	1	1	1	1	1
08	06100332	FILTER FOR TURBO LASER FILTER FOR TURBO LASER	FILTER F. TURBO LASER M. O-RING FILTRE TURBO LASER	1	1	1	1	1	1
08A	06120139	O-RING, 10X1 O-RING, 10X1	O-RING JOINT SPY JET	1	1	1	1	1	1
09	06030527	BRYSTNIPPEL, 8X1/4" BREAST NIPPLE, 8X1/4"	GEWINDESTUECK RACCORD	1	1	1	1	1	1
0A	06261874	TURBO LASER M/ TRYKREG. - SKRUE - 600 MM, 3.5 TURBO LASER W. PRES. REG. - SCREW - 600 MM, 3.5	TURBO LASER TURBO-LASER 600MM			1	1		
0A	06261883	TURBO LASER M/ TRYKREG. - SKRUE - 600 MM, 3.0 TURBO LASER W. PRES. REG. - SCREW - 600 MM, 3.0	TURBO LASER LANCE REGLABLE TURBO	1	1				
0A	06261961	TURBO LASER M/ TRYKREG. - SKRUE - 600 MM, 4.0+ TURBO LASER W. PRES. REG. - SCREW - 600 MM, 4.0+	TURBO LASER TURBO LASER N/G 270				1		1
0B	06260758	DOBBELT SPULERØR 600MM EXCL.TRYKDYSE DOUBLE LANCE - PRES. REG. - SCREW -600 MM,	DOPPELLANZE DOUBLE LANCE 600MM	1	1	1	1	1	1
0C	06260382	ENKELT SPULERØR 600 MM SINGLE LANCE - SCREW - 600 MM, EXCL.NOZ	EINZELLANZE LANCE SIMPLE 600 MM	1	1	1	1	1	1
0D	06261957	SPECTRUM 600MM U/TRYKDYSE SPECTRUM W. PRES. REG. - SCREW - 600 MM,	SPECTRUM OHNE DÜSE - 600 MM SPECTRUM SANS GICLEUR - 600 MM	1	1	1	1	1	1
0D	06262153	SPECTRUM M/ TRYKREG. - SKRUE - 600 MM, 130 SPECTRUM W. PRES. REG. - SCREW - 650 MM, 130	LANCE SPECTRUM 600MM/2300	1	1				
0D	06262154	SPECTRUM M/ TRYKREG. - SKRUE - 600 MM, 135 SPECTRUM W. PRES. REG. - SCREW - 650 MM, 135	LANCE SPECTRUM 2502A R/VIS			1	1		
0D	06262155	SPECTRUM M/ TRYKREG. - SKRUE - 600 MM, 140 SPECTRUM W. PRES. REG. - SCREW - 650 MM, 140	LANCE SPECTRUM G2700					1	1

Lanser / Lances / Lanzen / Lance

Pos.	Ref. no.	Betegnelse Description	Bezeichnung Description	2300 A	2302 A	2500 A	2700 A	2702 A
0E	06262110	ROTO JET M/ SKRUE, 600 MM, 3.5 ROTO JET - SCREW - 600 MM, 3.5	LANCE ROTO JET 035	1	1			
0E	06262111	ROTO JET LANCE 040 600MM ROTO JET - SCREW - 600 MM, 4.0	LANCE ROTO JET 040			1	1	1
10	06050841	SPULERØR LIGE, Ø13X1,5X586 LANCE STRAIGHT, Ø13X1,5X586	LANCE GERADE TURBO LASER LANCE DROITE TURBO LASER	1	1	1	1	1
11	06050842	KEMIRØR 15 GR. BUK , Ø8X1X622 DETERGENT PIPE 15 DEG., Ø8X1X622	REI.MITTLERØHR 15 GR. VERB. F. T. L. TUYAU POUR LANCESER, 15 DSR, 15 DEGRES	1	1	1	1	1
12	06261130	BESLAG FOR TURBO LASER FITTINGS FOR TURBO LASER	BESCHLAG F. TURBO LASER ROHR ARMATURE POUR TURBO LASER TUYAU	1	1	1	1	1
13	06261246	SLANGE FOR FLOWSTYRING HOSE FOR FLOW CONTROL	SCHLAUCH F. STROMUNGSKONTROLLE G-6000 TUYAU P.COND.DE FLOW G-60 G-6000	1	1			
13	06261646	HUS FOR TURBO LASER, Ø2,0 HOUSING FOR TURBO LASER, Ø2,0	GEHAUSE F. TURBO LASER CORPS P.TURBO LASER 2.0			1	1	
14	06261875	TURBO LASER KIT, 3.5 TURBO LASER KIT, 3.5	SERVICEKIT F. TURBO LASER KIT TURBO 250/2500			1	1	
14	06261884	TURBO LASER KIT (230/240V), 3.0 TURBO LASER KIT (230/240V), 3.0	SERVICEKIT F. TURBO LASER KIT DE SERVICE P. TURBO-L	1	1			
14	06261963	TURBO LASER KIT, 4.0+ TURBO LASER KIT, 4.0+	KIT TURBO 270			1	1	1
14A	06120544	O-RING, 36.0X1,78 O-RING, 36.0X1,78	JOINT TORIQUE	1	1	1	1	1
14F	06120282	O-RING, 14X1,78 O-RING, 14X1,78	O-RING JOINT TORIQUE 14 X 1,78	1	1	1	1	1
14H	06180533	DYSE, Ø10X12 NOZZLE, Ø10X12	DUESE GICLEUR DIA. 10X12	1	1	1	1	1
15	06180936	LAG FOR TURBO LASER COVER FOR TURBO LASER	DECKEL F. TURBO LASER, BEARBEITET COUVER.P.TURBO LASER	1	1	1	1	1
16	06090233	DYSE HÆRDET 1/4-1504 FLAT JET NOZZLE 15°, 4	DUESE ABGEHAERTET GICLEUR DURCI 1/4MEG 1504				1	1
16	06090234	DYSE HÆRDET 1/4-1503.5 FLAT JET NOZZLE 15°, 3.5	DUESE GEHAERTET SA 1/4" MEG 1503.5 GICLEUR DURCI 1/4MEG15035			1	1	
16	06090289	DYSE HÆRDET 1/4-1503 FLAT JET NOZZLE 15°, 3	DÙSE GICLEUR HP 1503	1	1			
17	06180780	DYSEHOLDER, 17X20 NOZZLE HOLDER, 17X20	DUESENHALTER F/HOCHDRUCKDUESE SUPPORT DE GICLEUR H.P.EUEUR H.P.	1	1	1	1	1
18	06180779	KEMIDYSE, Ø10X22 DETERGENT NOZZLE, Ø10X22	REINIGUNGSMITTELDUESE GICLEUR DETERGENT	1	1	1	1	1
19	06180781	DYSEHOLDER FOR KEMI, 17X20 NOZZLE HOLDER FOR DETERGENTS, 17X20	DUESENHALTER F/REINIGUNGSMITTEL SUPPORT DE GICLEUR DETERGRGENT	1	1	1	1	1
20	06200226	DYSEBESKYTTER NOZZLE PROTECTION, PLASTIC	DUESENSCHUTZ KUNSTSTOFF PROTECTION GICLEUR PLASTI PLASTIQUE	2	2	2	2	2
21	06070497	SKRUE, 5X22 SCREW, 5X22	SCHRAUBE, ROSTFREI, Z/K VIS C/H INOX	1	1	1	1	1

Lanser / Lances / Lanzen / Lance

Pos.	Ref. no.	Betegnelse Description	Bezeichnung Description	2300 A	2302 A	2500 A	2502 A	2700 A	2702 A
22	06080123	MØTRIK, M5 NUT, M5	MUTTER, ROSTFREI RONDELLE	1	1	1	1	1	1
23	06050941	KEMI-RØR, RUSTFRI, Ø13X1,5X591 DETERGENT PIPE, STAINLESS, Ø13X1,5X591	DOPPELLANZE TUBE DE LANCE BP	1	1	1	1	1	1
24	06050940	SPULERØR, RUSTFRI, Ø13X1,5X596 LANCE, STAINLESS, Ø13X1,5X596	DOPPELLANZE TUBE DE LANCE HP	1	1	1	1	1	1
25	06260537	BESLAG F. DOBB. SPULERØR FITTINGS FOR DOUBLE LANCE	BESCHLAG F/DOPPELLANZE TURBO ENTRETOISE LANCE TURBO TE TURBO	1	1	1	1	1	1
26	06181232	DYSEHOLDER FOR KEMI, Ø18X26 NOZZLE HOLDER FOR DETERGENTS, Ø18X26	DUESEHALTER F. REINIGUNGSMITTELDUESE SUPPORT GICLEUR POUR DETER DE DETERGENT	1	1	1	1	1	1
27	06200374	DYSEBESKYTTER DOBBELT NOZZLE PROTECTION, PLASTIC, DOBBLE	DUESESCHUTZ - DOPPELT PROTECT.PLAST.GICLEUR LAN	1	1	1	1	1	1
28	06030643	MUFFE FOR SPULERØR, Ø10 SOCKET FOR LANCE, Ø10	MUFFE F. LANZE MANCHON POUR LANCE INOX	1	1	1	1	1	1
28	06181233	DYSEHOLDER, Ø18X26 NOZZLE HOLDER, Ø18X26	DUESEHALTER F. HOCHDRUCKSDUESE SUPPORT GICLEUR HAUTE PRE	1	1	1	1	1	1
29	06030485	SKRUEKOBLING, 1/4" INDV. SCREW COUPLING, 1/4"	SCHRAUBENKUPPLUNG, NICHT DREHBAR ACCOUPL. VIS 1/4 INT.NT NT	1	1	1	1	1	1
30	06050116	SPULERØR, RUSTFRI, Ø13X586 LANCE, STAINLESS, Ø13X586	LANZE, ROSTFREI LANCE INOX DIAM. 13X596	1	1	1	1	1	1
31	06200375	DYSEBESKYTTER ENKELT NOZZLE PROTECTION, PLASTIC, SINGLE	DUESESCHUTZ PROTECT.PLAST.GICLEUR LAN	1	1	1	1	1	1
35	06261964	SPECTRUM KIT, 130 SPECTRUM KIT, 130	SPECTRUM KIT KIT SPECTRUM 230	1	1				
35	06261965	SPECTRUM KIT, 135 SPECTRUM KIT, 135	SPECTRUM KIT KIT DE REPARATION			1	1		
35	06261966	SPECTRUM KIT, 140 SPECTRUM KIT, 140	SPECTRUM KIT KIT DE REPARATION					1	1
38	06050841	SPULERØR LIGE, Ø13X1,5X586 LANCE STRAIGHT, Ø13X1,5X586	LANZE GERADE TURBO LASER LANCE DROITE TURBO LASER	1	1	1	1	1	1
39	06262132	ROTO JET DYSE KPL., 3.5 ROTO JET NOZZLE CPL., 3.5	GICLEUR ROTO CPL. 3.5	1	1				
40	06262221	ROTO DYSE KIT, 3.5 ROTO JET NOZZLE KIT, 3.5	GICLEUR ROTO KIT 3.5	1	1				
40	06262222	ROTO DYSE KIT, 4.0 ROTO JET NOZZLE KIT, 4.0	KIT POUR GICLEUR ROTO 040			1	1		
41	06260365	HANDGRIFF TIL ROT. BØRSTER OG ENKELT LANSEØR, HANDLE FOR ROTATING BRUSHES AND SINGLE	HANDGRIFF POIGNEE DE MAINTIEN LANCE	1	1	1	1	1	1