

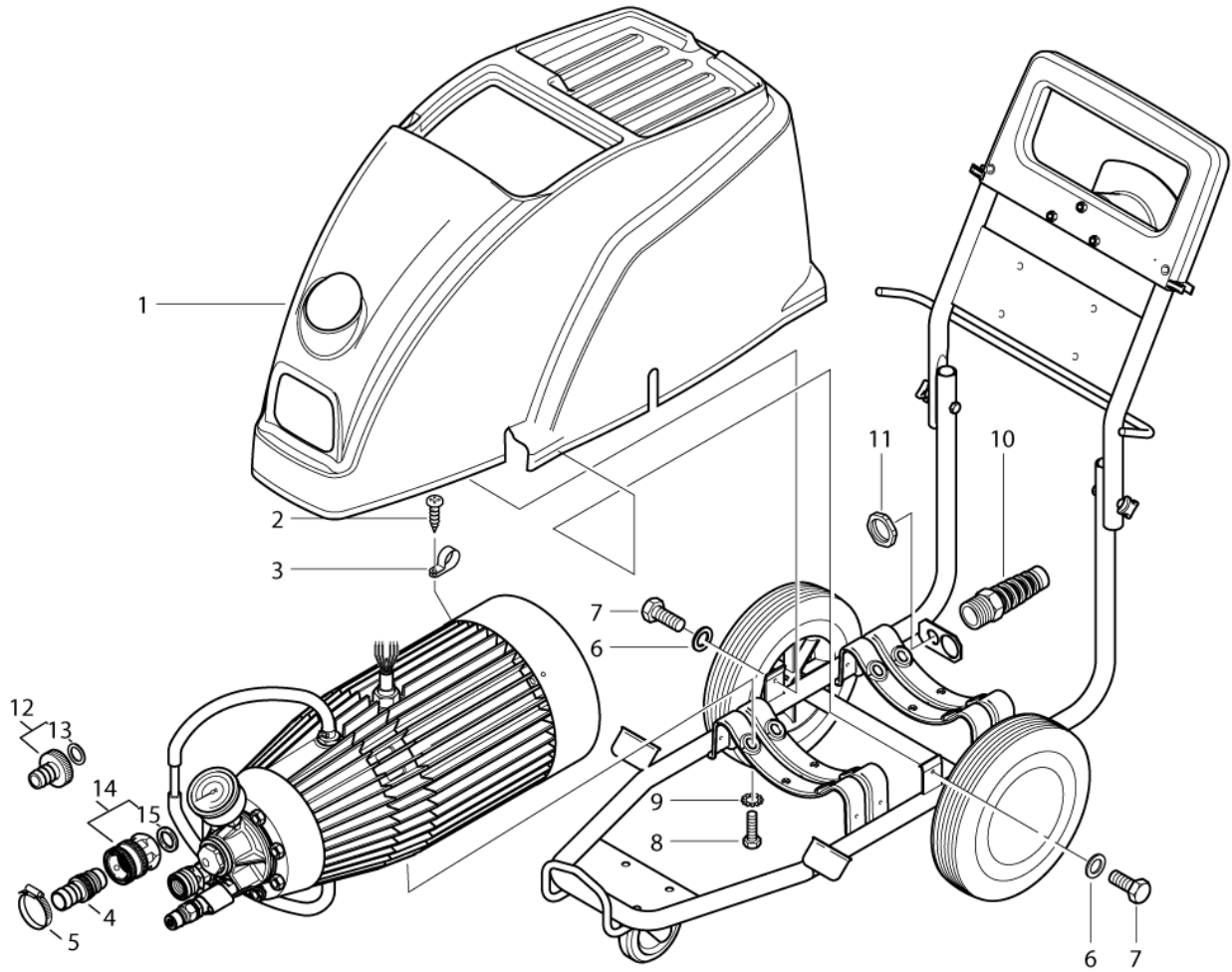
PARTS LIST



2018.01.30

TABLE OF CONTENTS

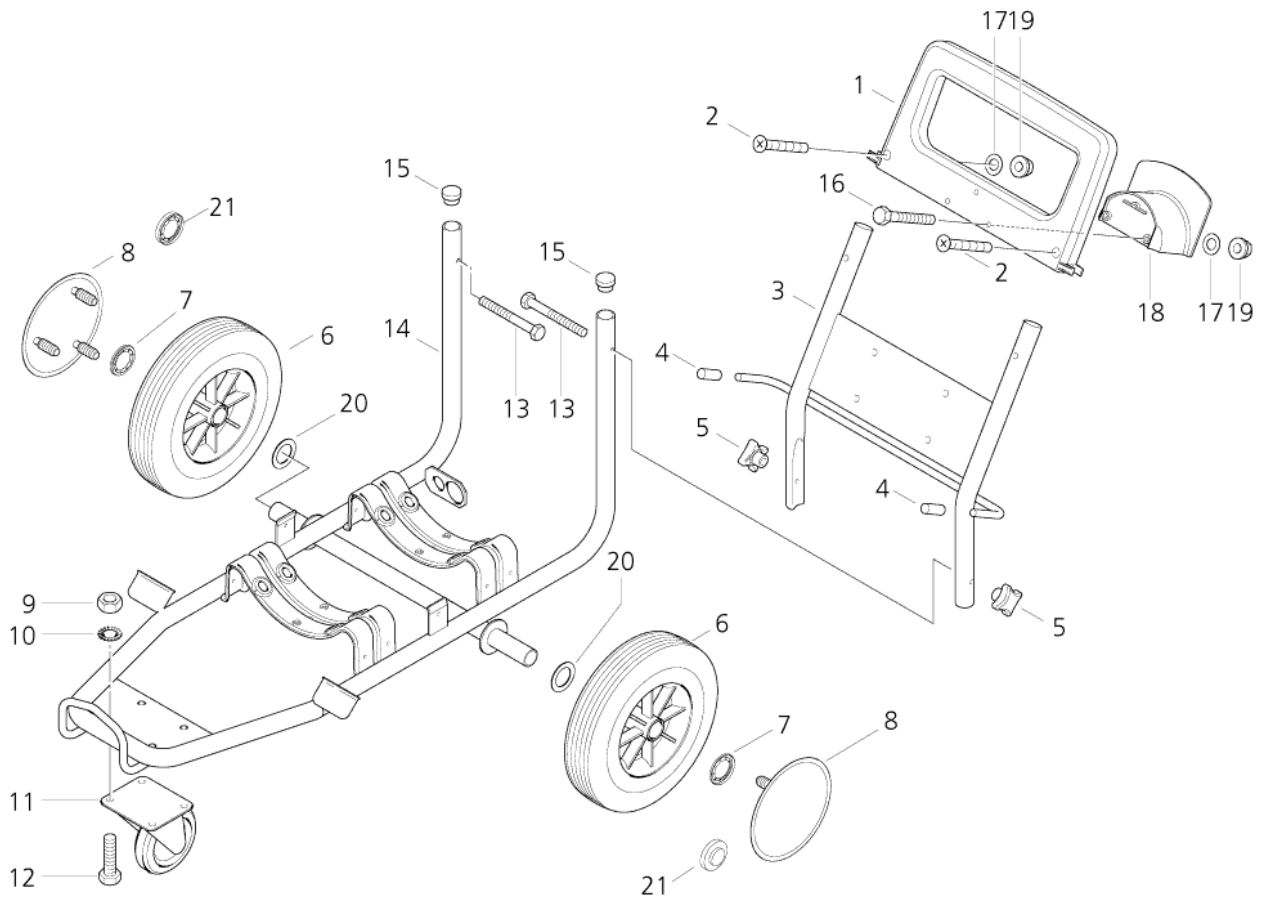
Cabinet.....	1
Frame.....	3
Motor.....	5
Cylinder block.....	7
Valve cover.....	9
Electric box (A).....	11
Electric box (B).....	13
Foam injector.....	15
Watertank.....	17
301000202, 301000540 - Hose reel Old POSEIDON 7 -8.....	19



Pos.	Numer Produktu	ilość	Opis	Notes
01	301002970	1	SHROUD POSEIDON7 GREEN COL.909100446 ABS	[1]
02	1803956	1	TAPTITE SCREW M4X12 DIN7500 D	
03	4887	1	FASTENING CLIP 13/15	[1]
04		1	not 7-66	[2]
05	8298	1	HOSE CLIP 16-27	
06	1814617	2	WASHER 5.8X15X1.5	[3]
06	14805	2	WASHER 6.4X1.6 x 18 A ISO 7093-1 VA	[4]
07	6200145	2	SCREW	[5]
07	24355	2	SCREW M6X16	[6]
08	1802651	4	SCREW M10X20	
09	10204	4	SERRATED LOCK WASHER A10	
10	909100043	1	OSŁONA PREWODY EL. M20X1.5	
11	909100019	1	NAKRETKA M20X1.5 EN 50262	
12	61369	1	PRZYŁĄCZE WODY 20R 3/4	
13	46487	1	PACKING RING 21X29X2.5	
14		1	not 7-66	[2]
15		1	not 7-66	[2]

Part Notes:

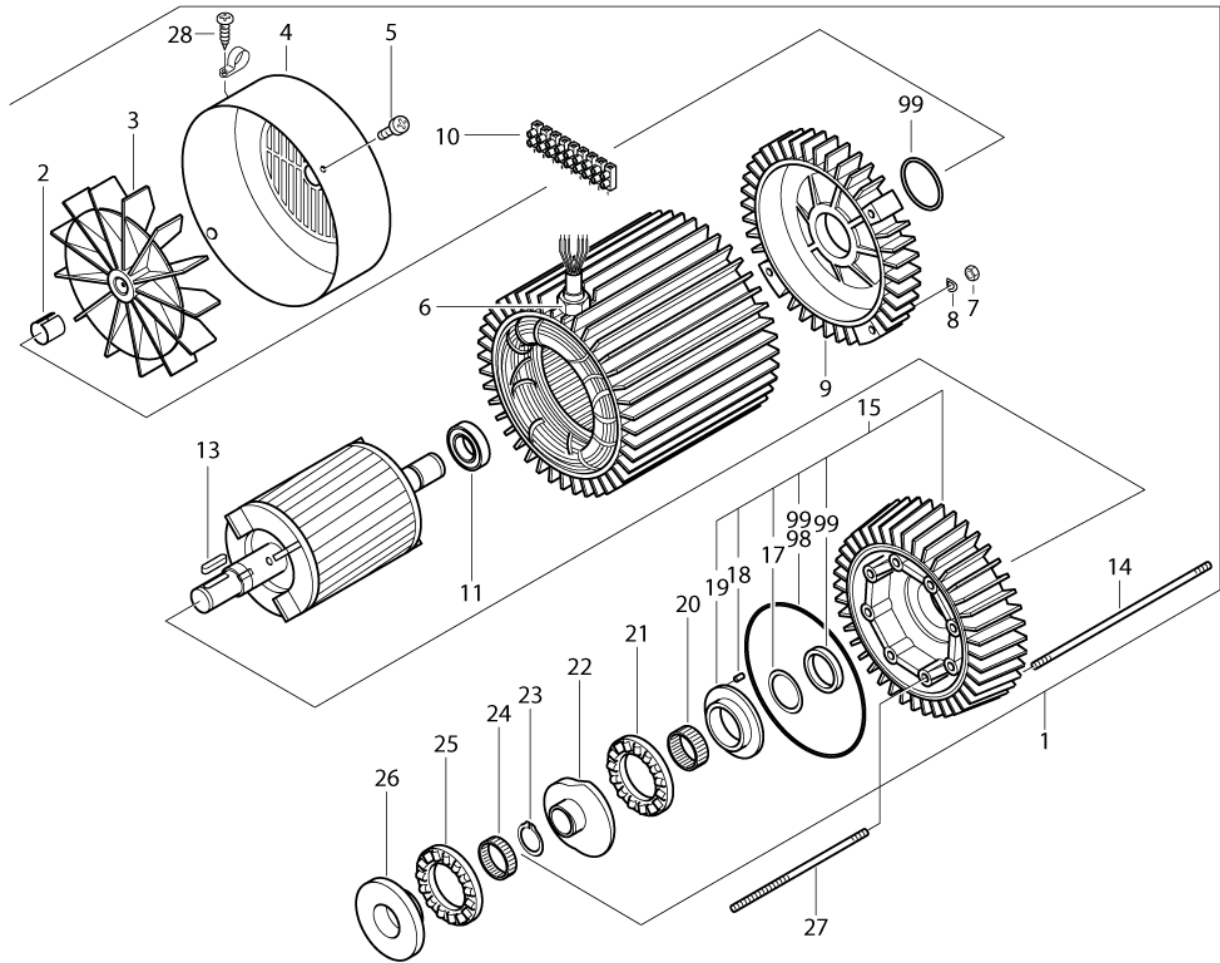
- [1] - STOCK COVERS GUARANTEE
- [2] - not 7-66
- [3] - 7-66
STOCK COVERS GUARANTEE
- [4] - 7-66 FB
- [5] - 7-66
03V OUTPHASED 2003
- [6] - 7-66 FB
STOCK COVERS GUARANTEE



Pos.	Numer Produktu	ilość	Opis	Notes
01	48646	1	HANDLE	
02	17737	2	SCREW M6X40 ISO 7046	
03	301000182	1	BOW	[1]
03	301000376	1	HANDLEBOW STAINLESS	[2]
04	1022	2	CAP 10/20	[3]
05	909100169	2	PALM GRIP M6	
06	2010908	2	WHEEL D250X60 GREY	[4]
06	301000989	2	KOŁO D250X75	[1]
07	1813799	2	PODKŁADKA	[1]
07	107145570	2	CLAMPING RING D25XD42X3	[4]
08	65653	2	WHEEL CAP 250	[5]
09	20908	4	HEXAGON NUT M8 A2 ISO 4032	[2]
09	2758	4	HEXAGON NUT M8	[1]
10	14648	4	WASHER 8.4X1.6	[4]
10	2803	4	WASHER A 8.2 DIN6797 ZN FORM J	[1]
11	2010916	1	WHEEL TURNABLE W. BRAKE 03KR	[2]
11	46361	1	CASTER D100X30 BRAKE	[1]
12	19810	4	SCREW M8X16 A2 ISO4017	[2]
12	6557	4	SCREW M8X16	[1]
13	909100072	2	SCREW HEX. M6X55 STAINLESS STEEL 1.4301	[4]
13	909100042	2	SCREW HEXAGON M6X55	[5]
14	301000338	1	BASE FRAME POSEIDON 7 INOX POLISHED	[2]
14	301000177	1	BASE FRAME	[5]
15	58406	2	PLUG D26/20X13.5 BLACK	[3]
16	1814634	3	SCREW M6X50 SS	
17	17849	3	WASHER 6.4X1.6 DIN 125 A2	[3]
18	43064	1	HOSE HOLDER SB STATION	
19	1801893	3	NUT M6 ISO 4032 A2-70	
19	12496	3	HEXAGON NUT M6	
20	301000381	2	WASHER	
21	6102614	2	HUP CAP COMPL. SS	

Part Notes:

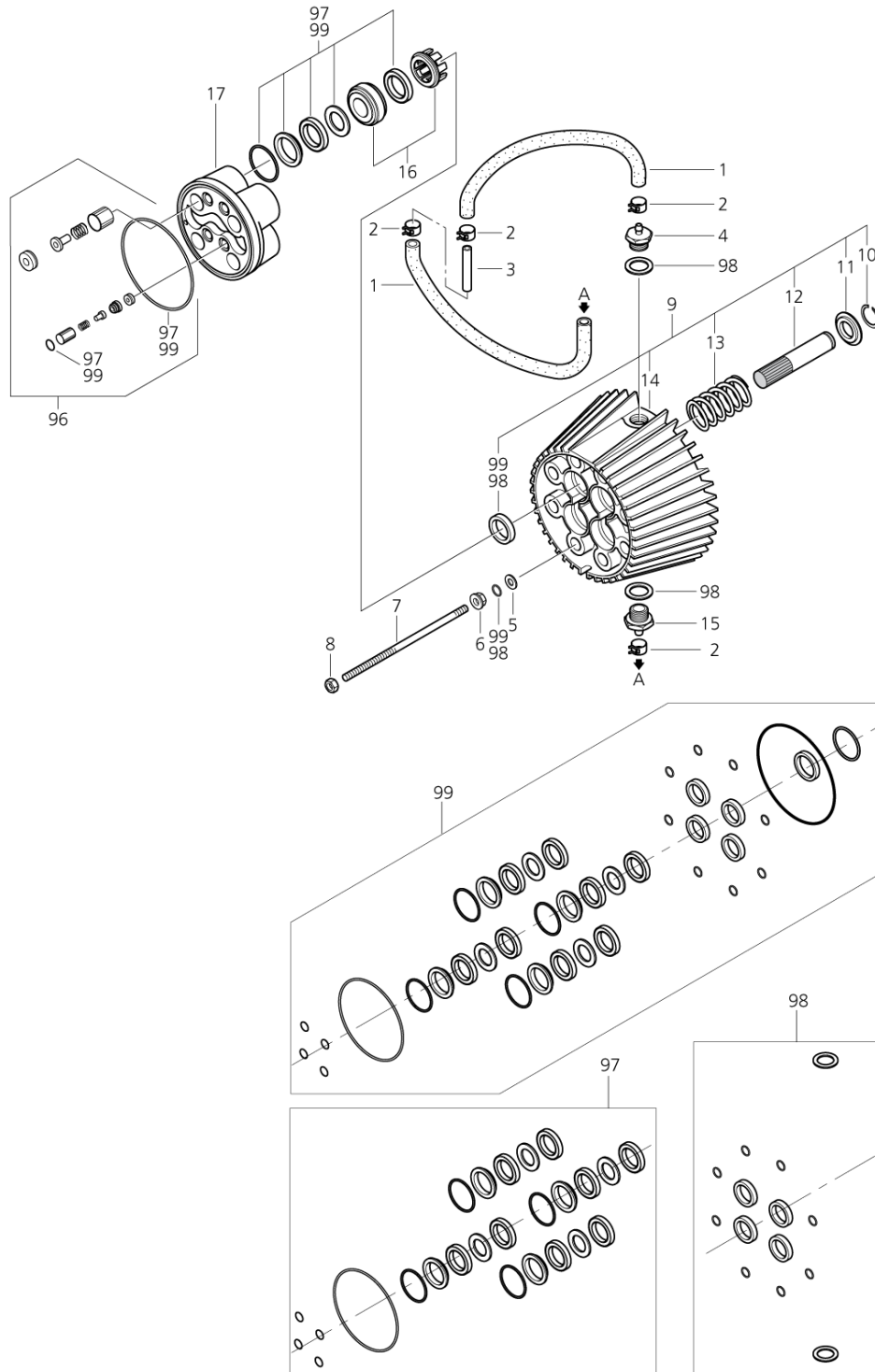
- [1] - 7-66
- [2] - 7-66 FB
STOCK COVERS GUARANTEE
- [3] - STOCK COVERS GUARANTEE
- [4] - 7-66 FB
- [5] - 7-66
STOCK COVERS GUARANTEE



Pos.	Numer Produktu	ilość	Opis	Notes
01	107120750	1	MOTOR 6.5KW 400 415 230 3 50	
02	1802503	1	LOCK RING FAN WHEEL	
03	6100605	1	FAN	[1]
04	6100609	1	COVER F. FAN	
05	101814693	2	SCREW M4X 8 EE DIN 7500 A2	
06	107302152	1	BUSH G1 AG/G3/4	
07	2758	4	HEXAGON NUT M8	
08	1801182	4	SPRING WASHER M8	
09	6100611	1	REAR BEARING COVER	[2]
09	107140617	1	REAR BEARING COVER	[3]
10	101117839	1	TERMINAL PLUG AND TERMINAL PINS	
11	3200623	1	REAR BEARING	
13	3200672	1	TONGUE 6X6X32 A DIN 6885 ST	
14	6100712	4	STAY BOLT L306MM	[4]
15	6101750	1	FRONT BEARING COVER COMP.	[2]
15	107140615	1	FRONT BEARING COVER COMPLETE	[3]
17	6100995	1	WASHER	
18	6100996	1	GUIDE PIN	
19	107120703	1	ELEMENT LOZYSKA	
20	3200656	1	LOZYSKO	
21	3200615	1	LOZYSKO	
22	107120716	1	KRZYWKA	
23	1802511	1	KLIPS	
24	3200664	1	LOZYSKO	
25	3200615	1	LOZYSKO	
26	107120704	1	ELEMENT LOZYSKA	
27	6301368	8	STUDS	
98	1119820	1	OIL SEAL 03/C3 REP.KIT	
99	1119570	1	ZESTAW USZCZELNIEN	

Part Notes:

- [1] - EME
- [2] - Up to week 32/09 (ATB)
- [3] - From week 32/09 (EME)
- [4] - STOCK COVERS GUARANTEE



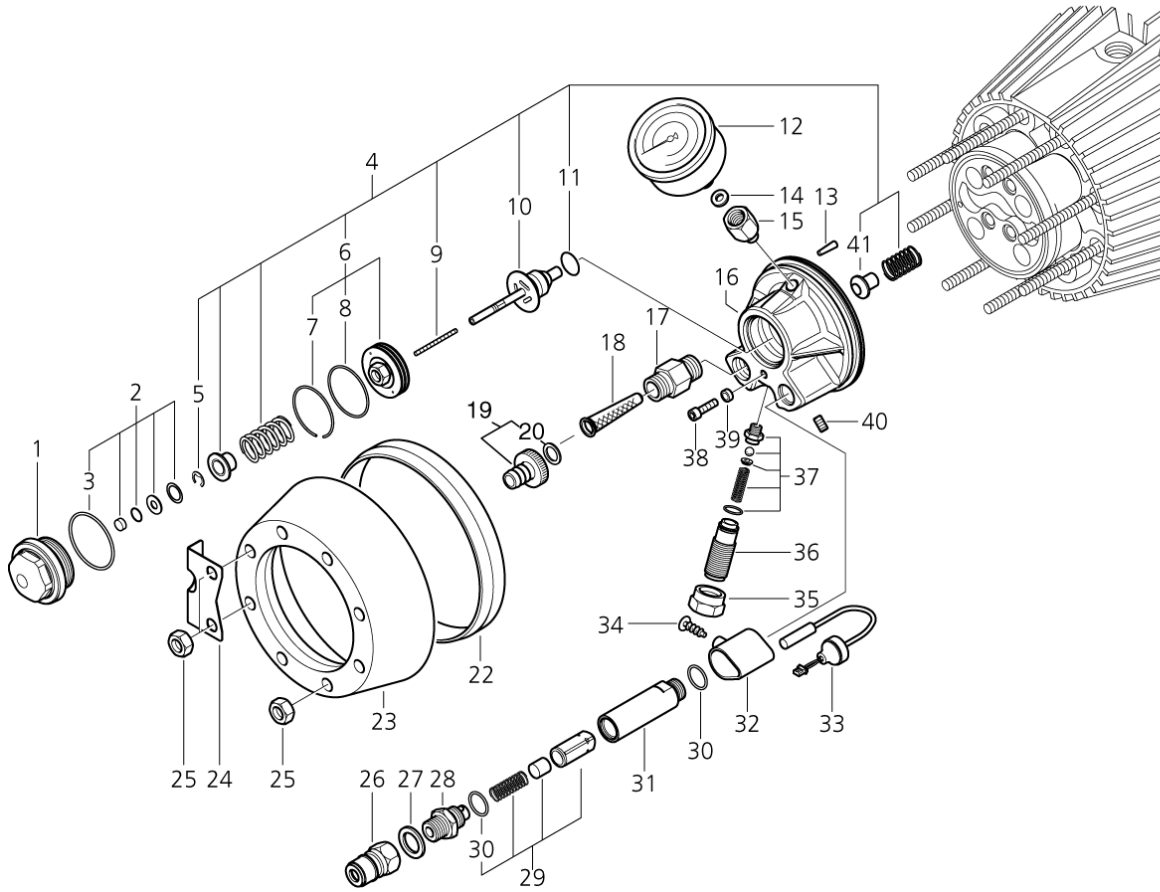
Pos.	Numer Produktu	ilość	Opis	Notes
0-	5218433	1	OLEJ DO POMPY 150 1X1L	[1]
01	106408244	1	HOSE D6X2.5 - 5 METERS	
02	1814679	4	HOSE CLIP R12	
03	102406545	1	CONNECTING PIECE	[2]
04	107120313	1	SOCKET FOR OILHOSE	
05	6100718	8	PODKŁADKA	
06	6100719	8	THRUST COLLAR	
07	6301368	8	STUDS	
08	1800465	8	NUT M10 DIN 934	
09	6300071	1	CYLINDER BLOCK COMP.	
10	1802529	4	KLIPS	
11	6100666	4	RING F. RETURN SPRING	
12	6301166	4	TŁOK CERAMICZNY	
13	102602517	4	RETURN SPRING C3 4.3x41x61.5 ST	
14	6100610	1	CYLINDER BLOCK	
15	107120314	1	HOSE-TAIL D6 R3/8IN POSEIDON CUZN	
16	107120700	4	PIERSCIEN	
17	107120701	1	CYLINDER HEAD	
96	1119195	1	ZESTAW NAPRAWCZY ZAWORÓW	
96	1119310	1	ZAWÓR	[3]
97	1119571	1	KOMPLET NAPRAWCZY	[4]
98	1119820	1	OIL SEAL 03/C3 REP.KIT	
99	1119570	1	ZESTAW USZCZELNIENI	

Part Notes:

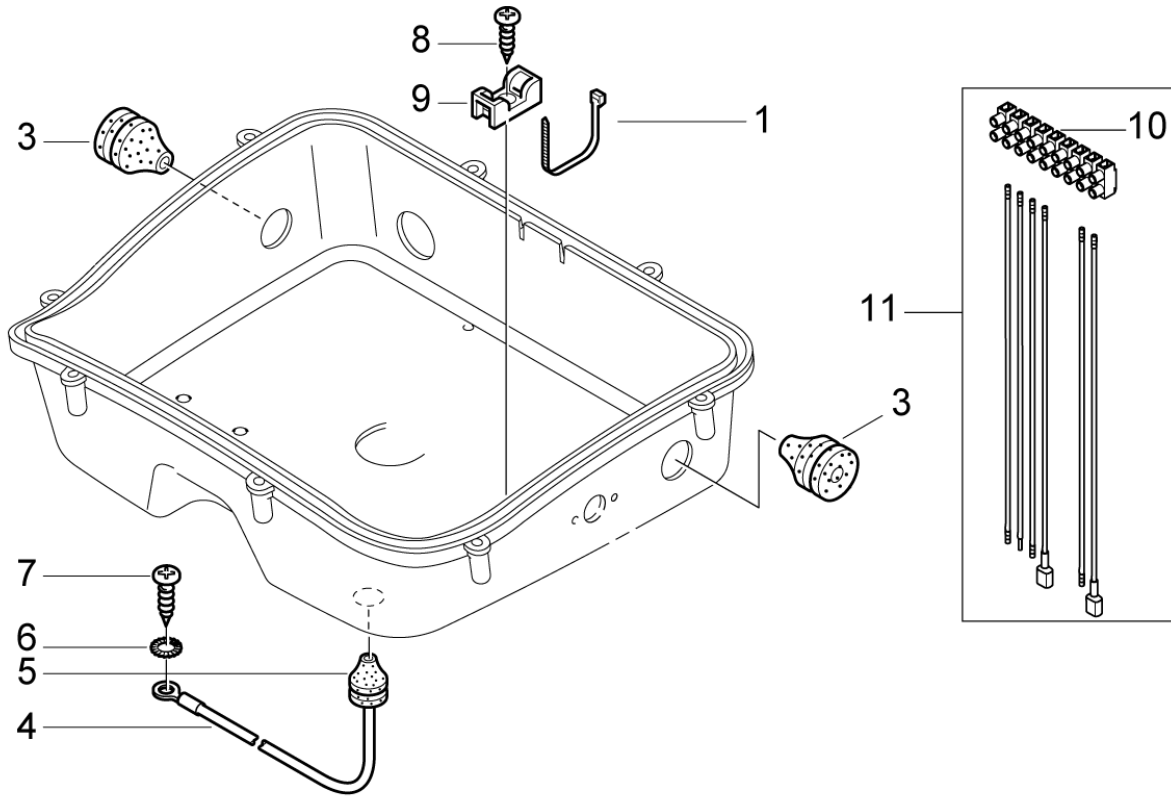
- [1] - 1,1L - OIL TYPES_QUANTITY for HPW_APRIL 2017
- [2] - STOCK COVERS GUARANTEE
- [3] - 7-29
- [4] - C3

TSB-PPW-2016-011 Rep kit 1119571 and 1119570 potential have wrong O-ring in kit

DE TSB-PPW-2016-011 Rep Kit 1119571 und 1119570 beinhalten möglicherweise einen falschen O-Ring



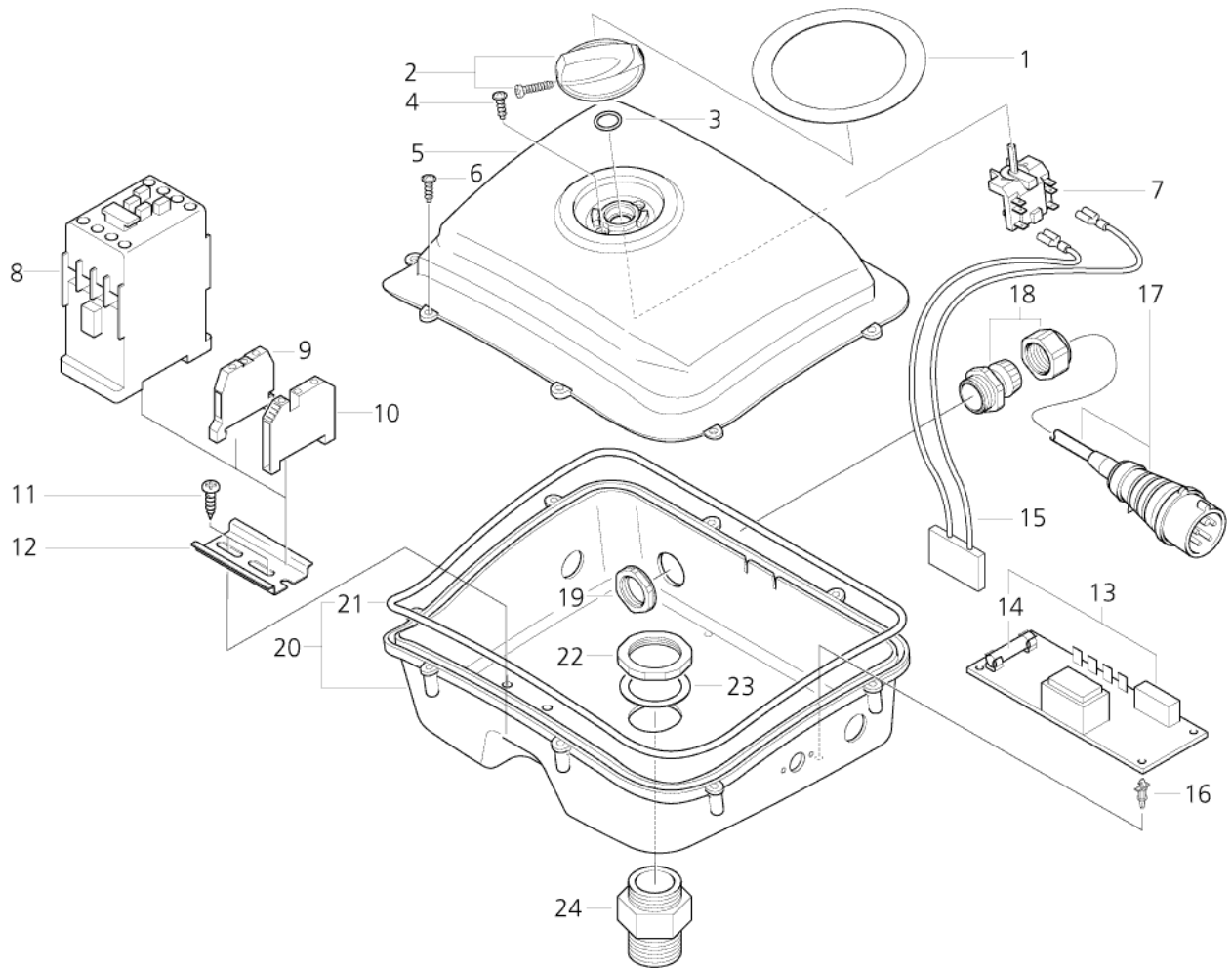
Pos.	Numer Produktu	ilość	Opis	Notes
01	107120500	1	PLUG G1 1/4 54X35	
02	101119410	1	REP. KIT GASKETS	
03	3001179	1	O-RING 39.6X2.4 NITRIL 70 SH	
04	1118580	1	ZESTAW NAPRAWCZY	
05	6101069	1	SAFETY DISK	
06	6100925	1	PISTON F. BY-PASS VALVE	
07	6101061	1	PISTONRING	
08	3001716	1	O-RING 35.1x1.6 SMS 1586 NBR70	
09	2600286	1	SPRING DM-2.9	
10	6400143	1	VALVE CONE	
11	6441	1	O-RING 11.0x2.0 DIN 3770 NBR70	
12	3601262	1	PRESSURE GAUGE 0-300 BAR	
13	6100996	1	GUIDE PIN	
14	1602127	1	RING FOR PRESSURE GAUGE	
15	107120603	1	NIPPLE FOR PRESSURE GAUGE	
16	6101042	1	OBUDOWA	
17	107120600	1	FILTER HOUSING POSEIDON	
18	6100941	1	FILTR	
19	61369	1	PRZYŁĄCZE WODY 20R 3/4	
20	46487	1	PACKING RING 21X29X2.5	
22	6301392	1	USZCZELNIENIE	
23	6100602	1	RETAINING RING	
24	107120609	1	BRACKET OIL-HOSE	
25	4826	8	HEXAGON NUT M10	
26	1603101	1	ZŁĄCZE MĘSKIE ERGO 3/8" STAL NIERDZ	
26	1600493	1	ZŁĄCZE MĘSKIE ERGO 3/8"	
27	1801075	1	PIERŚCIEŃ USZCZ. 23.8X17.2X2 3/8	
28	107120504	1	PLUG FOR FLOWSWITCH NA5	
29	101119411	1	REP.KIT PISTON	
30	3000064	2	O-RING 14.1X1.6 NITRIL 70SH	
31	107120501	1	FLOW SWITCH HOUSING	
32	62399	1	UCHWYT CZUJNIKA	
33	103821821	1	CZUJNIK WYŁĄCZNIKA	
34	1814614	1	ŚRUBA K50X18 Wn1451 A2	
35	6100928	1	NAKRETKA	
36	6100940	1	ŚRUBA REGULACYJNA	
37	1118512	1	ZESTAW NAPRAWCZY	
38	3913	1	SCREW M6X12	
39	6100985	1	LOCK WASHER	
40	1602333	1	PLUG G1/8 DIN906 CuZn	
41	6100915	1	VALVE CONE F. RETURNVALVE	



Pos.	Numer Produktu	ilość	Opis	Notes
01	8819	5	CABLE STRAP 4.5X1X350	
03	3803764	2	RUBBER SEAL TET 5-7C	
04	301000237	1	WIRE H05V-K 2.5X600 YELLOW GREEN	
05	3803764	1	RUBBER SEAL TET 5-7C	
06	4021	1	SERRATED LOCK WASHER A4	
07	1802586	1	FITTING SCREW M4X12	
08	909100046	1	SCREW 4X8	
09	1814621	1	BRACKET	[1]
10	101117839	1	TERMINAL PLUG AND TERMINAL PINS	
11	101117843	1	MOTOR CABLE 8-WIRE 3 PH 1.5MM2	[1]

Part Notes:

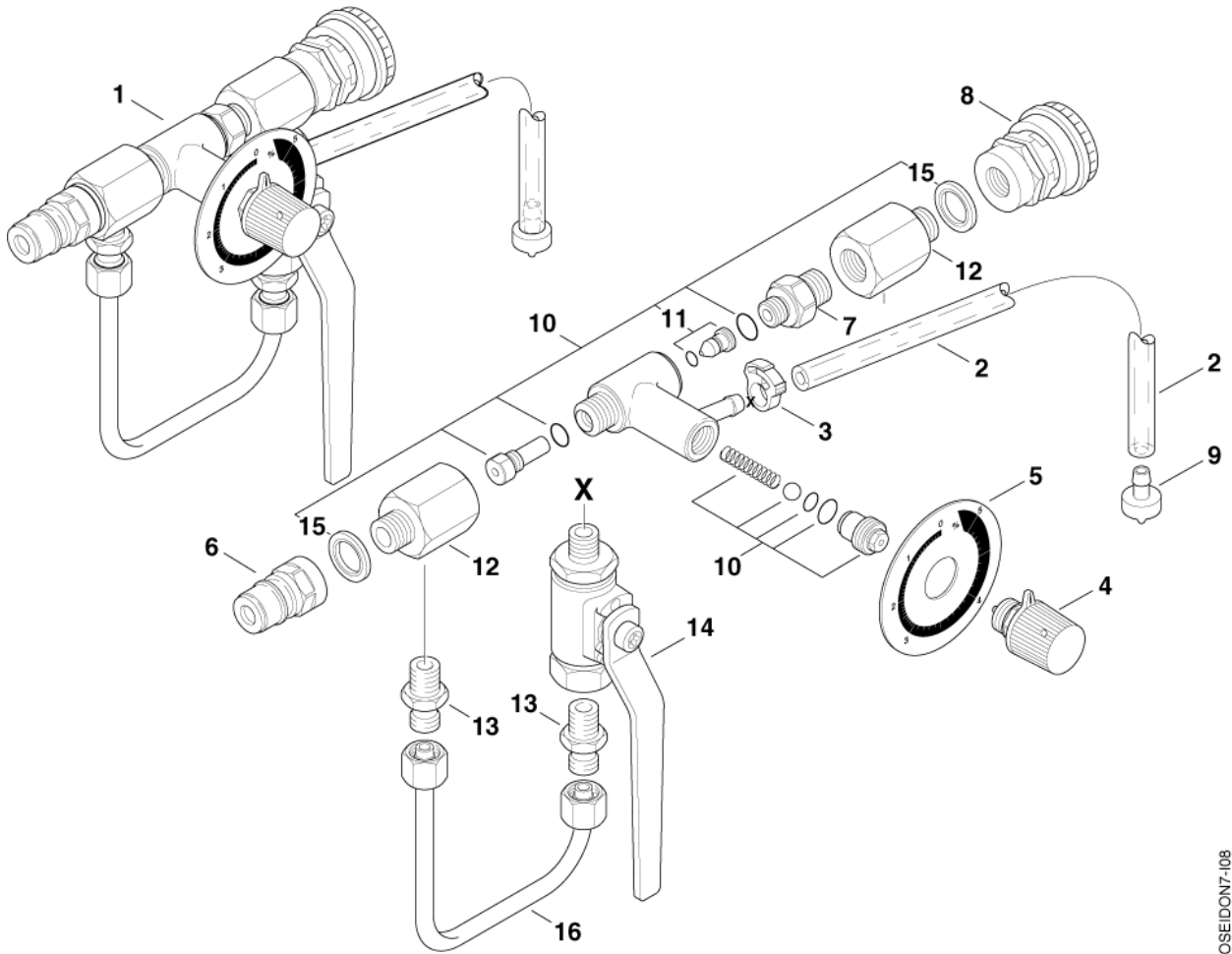
[1] - STOCK COVERS GUARANTEE



Pos.	Numer Produktu	ilość	Opis	Notes
01	301000267	1	LABEL	[1]
02	909100235	1	ROTARY KNOB GR.1 6X5	
03	9868	1	O-RING 10.2X2.5 NBR 70	
04	18274	2	COUNTERSUNK SCREW M4X12	
05	301000189	1	CASE HOUSING - UPPER PART	[1]
06	16861	8	SCREW 4X20 WN1412	[1]
07	28877	1	SWITCH 10A 400V AC	
08	103822303	1	STYCZNIK CJX2-D18 18A 400V 3P+NO	
09	3817483	1	TERMINAL STRIP EARTH. WK4 SL/U	
10	3821030	1	TERMINAL CLIP WK4/D 1/2U	[1]
11	909100046	2	SCREW 4X8	
12	22290	1	MOU. RAIL TS35/F6 7.5 18X5.2 EN60715 ZN	
13	301000181	1	ELECTRONIC CONTROL UNIT	
14	301000263	1	FUSE 0.63A/500AT Ø 6.	
15	301000235	1	WIRE RED LIYY 0.25X300 2-POL	[1]
16	43884	4	BRACKET L12.7	[1]
17	301000253	1	POWER CORD H07RN-F 4G1.5	
18	64902	1	SCREWED CABLE GLAND METRIC M20X1.5	
19	909100019	1	NAKRETKA M20X1.5 EN 50262	
20	301000188	1	SWITCH CASE HOUSING - UNDERPART	
21	101406054	1	SPONGE RUBBER Ø 4 1M	
22	20862	1	HEXAGON NUT R1 DIN 431 CUZN	
23	301000276	1	PACKING RING Ø 45X Ø 34X2	
24	107302152	1	BUSH G1 AG/G3/4	

Part Notes:

[1] - STOCK COVERS GUARANTEE

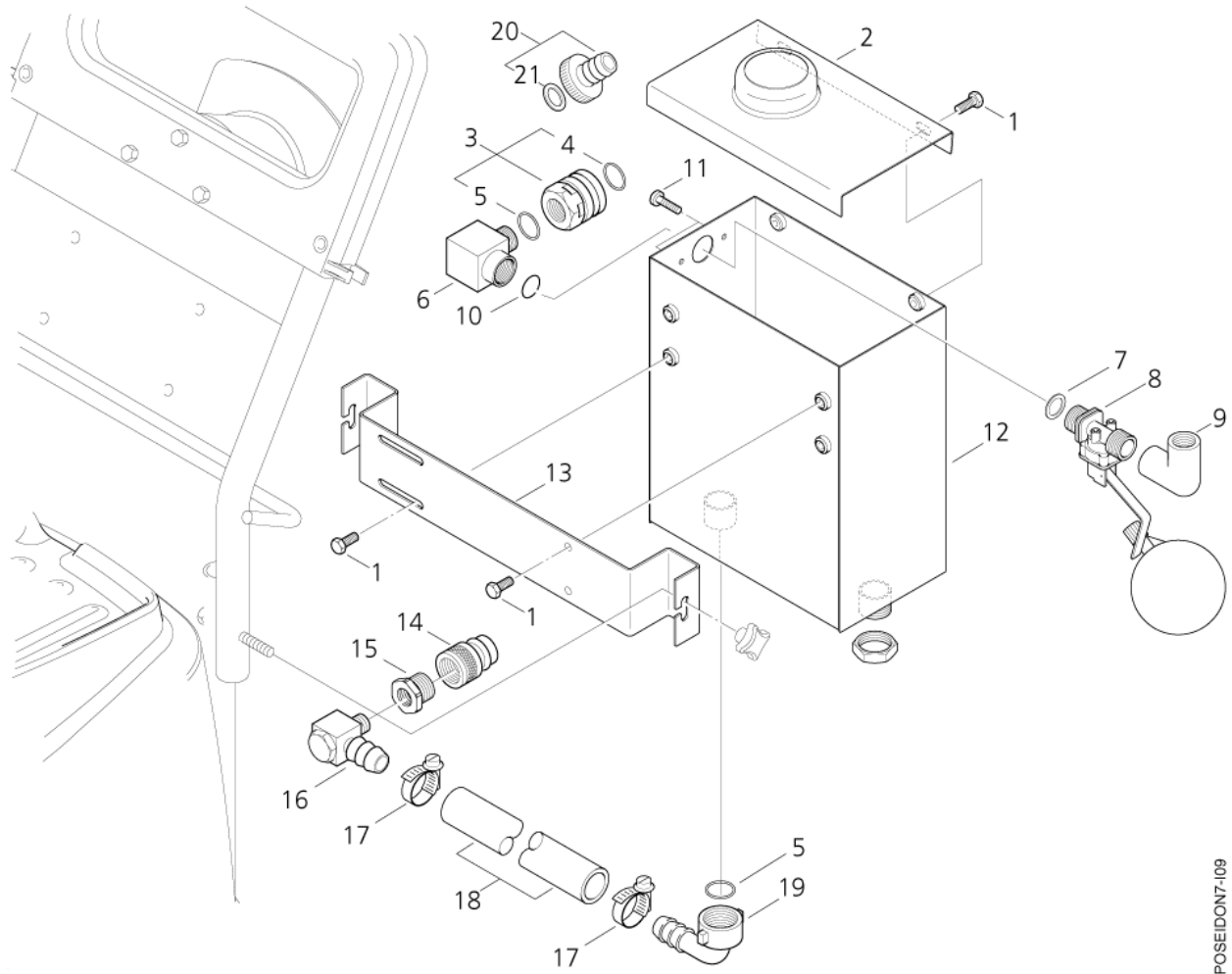


POSEIDON7-108

Pos.	Numer Produktu	ilość	Opis	Notes
1	6401243	1	INŻEKTOR PIANY Z BYPASSEM STAL NIERDZEWN	[1]
2	106408243	1	HOSE 1/4INCH TRANSPARENT - 5 METERS	
3	1810084	1	HOSE CLIP 10.8/12.3	
4	6101778	1	DOSING SPINDLE	
5	6400363	1	DIAL PLATE	
6	1603101	1	ZŁĄCZE MĘSKIE ERGO 3/8" STAL NIERDZ	
7	6150675	1	SOCKET FOR QUICK COUPLING	
8	106402075	1	SZYBKOZŁĄCZE	
9	6400240	1	CHEMICAL FILTER	
10	1119107	1	FOAM INJECTOR REP. KIT	
11	1119815	1	NOZZLE W. O-RING REP.KIT	
12	6401744	2	CONNECTING ADAPTER	
13	6401891	2	STRAIGHT THREADED CONNECTION	[1]
14	3401916	1	HYDROBALL VALVE 1/4IR-1/4UK SS	
15	1801075	2	PIERŚCIEŃ USZCZ. 23.8X17.2X2 3/8	
16	4841130	1	TUBE FOR BY-PASS COMP. SS	

Part Notes:

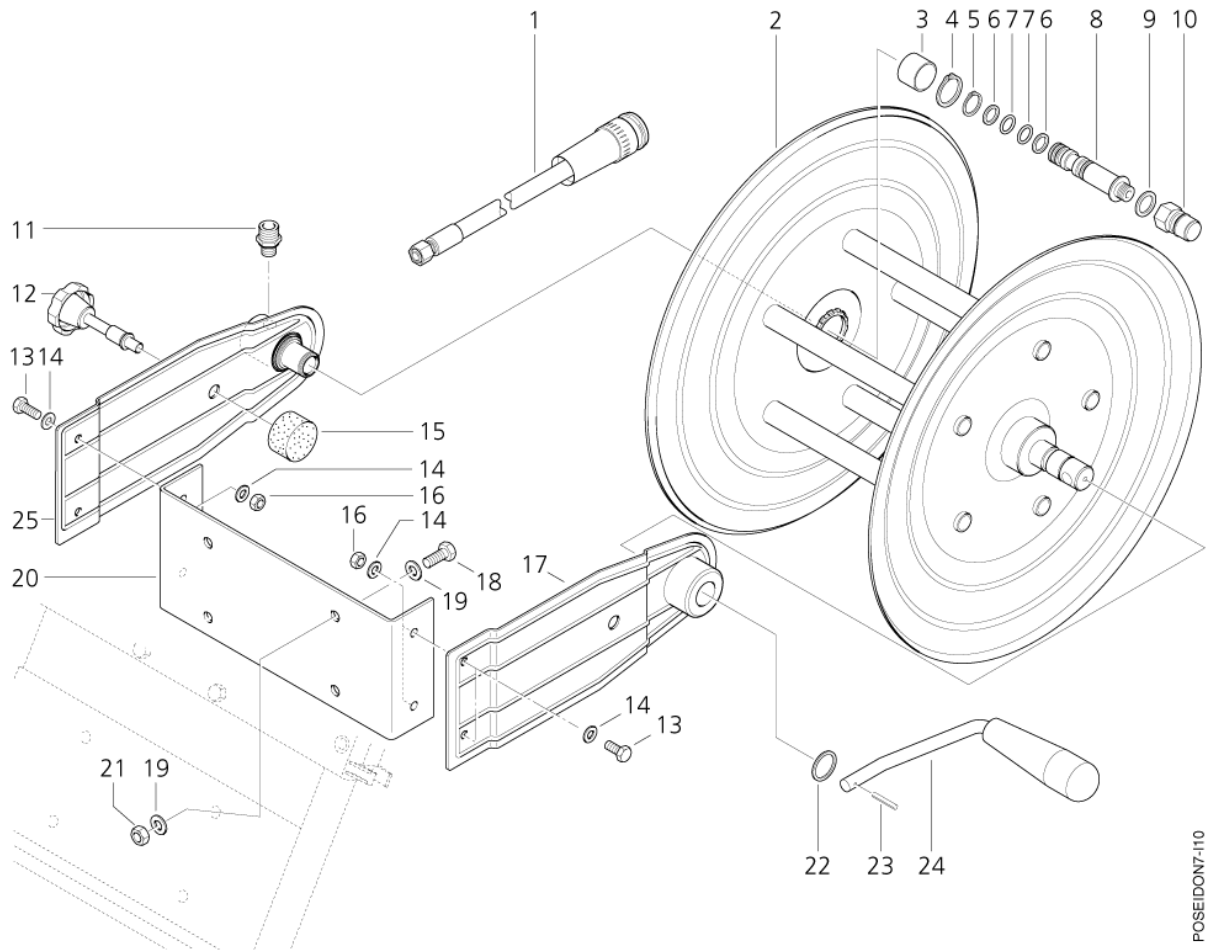
[1] - SS



Pos.	Numer Produktu	ilość	Opis	Notes
01	8917	2	SCREW M6X12	[1]
02	6100183	1	COVER FOR FLOAT CHAMBER	[2]
03	1602945	1	SZYBKOZŁĄCZE 3/4 Z USZCZELKĄ	[3]
04	3000320	1	O-RING 20X3 NITRIL	[3]
05	3001237	2	GASKET Ø24.5XØ16X3 NITRIL 80SH	[1]
06	101609351	1	ELBOW	[2]
07	3001724	1	GASKET 20X26X1	[1]
08	1117035	1	FLOAT VALVE	[1]
09	1605971	1	90DG ANGLE	[1]
10	3000684	1	O-RING 18.77X1.78 NITRIL 70SH	[2]
11	1802891	2	SCREW M4X12	[1]
12	6100164	1	FLOAT CHAMBER	[2]
13	106100218	1	SUPPORT FOR WATER BREAK TANK	[2]
14	1602796	1	QUICK COUPLING NIPPLE	[1]
15	1603069	1	SOCKET 1/2-3/4	[1]
16	6101752	1	ELBOW 16MM/ 1/2	[1]
17	8289	2	FITTING XGR12/10L	[1]
18	106408242	1	HOSE 5/8INCH - 2 METERS	[1]
19	20600	1	HOSE NOZZLE Ø 13/R3/4	[2]
20	61369	1	PRZYŁĄCZE WODY 20R 3/4	[4]
21	46487	1	PACKING RING 21X29X2.5	[4]
99	106101612	1	SKRZYNIA WODNA POSEIDON 7	[5]

Part Notes:

- [1] - 7-66FB
- [2] - 7-66FB
STOCK COVERS GUARANTEE
- [3] - 7-66FB =>31.01.2005]
- [4] - 7-66FB |01.02.2005=>
- [5] - 7-66FB
Contact Prod. Mgmt.



POSEIDON7-110

Pos.	Numer Produktu	ilość	Opis	Notes
00	301000202	1	BĘBEN NA WAŻ CIŚNIENIOWY P7/8 CZARNY	[1]
00	301000540	1	HOSE REEL - BSS FOR OLD P7-8	[1]
01	301000207	1	HP HOSE 1500MM	
02	301000540	1	HOSE REEL - BSS FOR OLD P7-8	[2]
02	29886	1	HOSE REEL Ø 350	[3]
03	54400	1	BUSHING D28/D25X20	[4]
04	16848	1	RETAINING RING 25X1.2	[4]
05	49870	1	RETAINING RING 18X1.2	
06	19704	2	SUPPORTING RING Ø13.5X18x2 PTFE+BZ	
07	12778	2	O-RING 13.3x2.4 SMS 1586 NBR90	
08	301000320	1	HOSE CONNECTING 3/8 CUZN	[4]
09	1801075	1	PIERŚCIEŃ USZCZ. 23.8X17.2X2 3/8	
10	1600493	1	ZŁĄCZE MĘSKIE ERGO 3/8"	
11	54590	1	FITTING XGE12L 1/4NPT	
12	43286	1	STAR KNOB M8X55 DIN 6336 ST/ZN	
13	2754	4	HEX. SCREW M6X16 ISO 4017 ST 8.8/ZN	
14	2764	8	WASHER 6.4X1.6	
15	49872	1	BUFFER Ø 30X17	[4]
16	11619	4	Lock Nut M6 - 8 A2K DIN985	
17	49458	1	BRACKET BLACK	[4]
18	2753	4	HEX. SCREW M8X20 ISO 4017 ZN	
19	2762	8	WASHER 8.4X1.6	
20	29889	1	BRACKET	[4]
21	2758	4	HEXAGON NUT M8	
22	32524	1	RETAINING RING 20X1.2	
23	6130	1	TENSION-PIN M4X30 ISO 8752 ZN	
24	49788	1	CRANK	[4]
25	301000197	1	BRACKET	

Part Notes:

- [1] - complete
NO REPLACEMENT
- [2] - Stainless steel
No replacement
- [3] - black painted
- [4] - STOCK COVERS GUARANTEE

