

Preisabfragen und Bestellungen der Artikel im Shop unter

www.wapalto-shop.de

(einfach Artikelnummer in die Suchmaske eingeben)

30 C Special I 30 CA Special 30 CA Special I



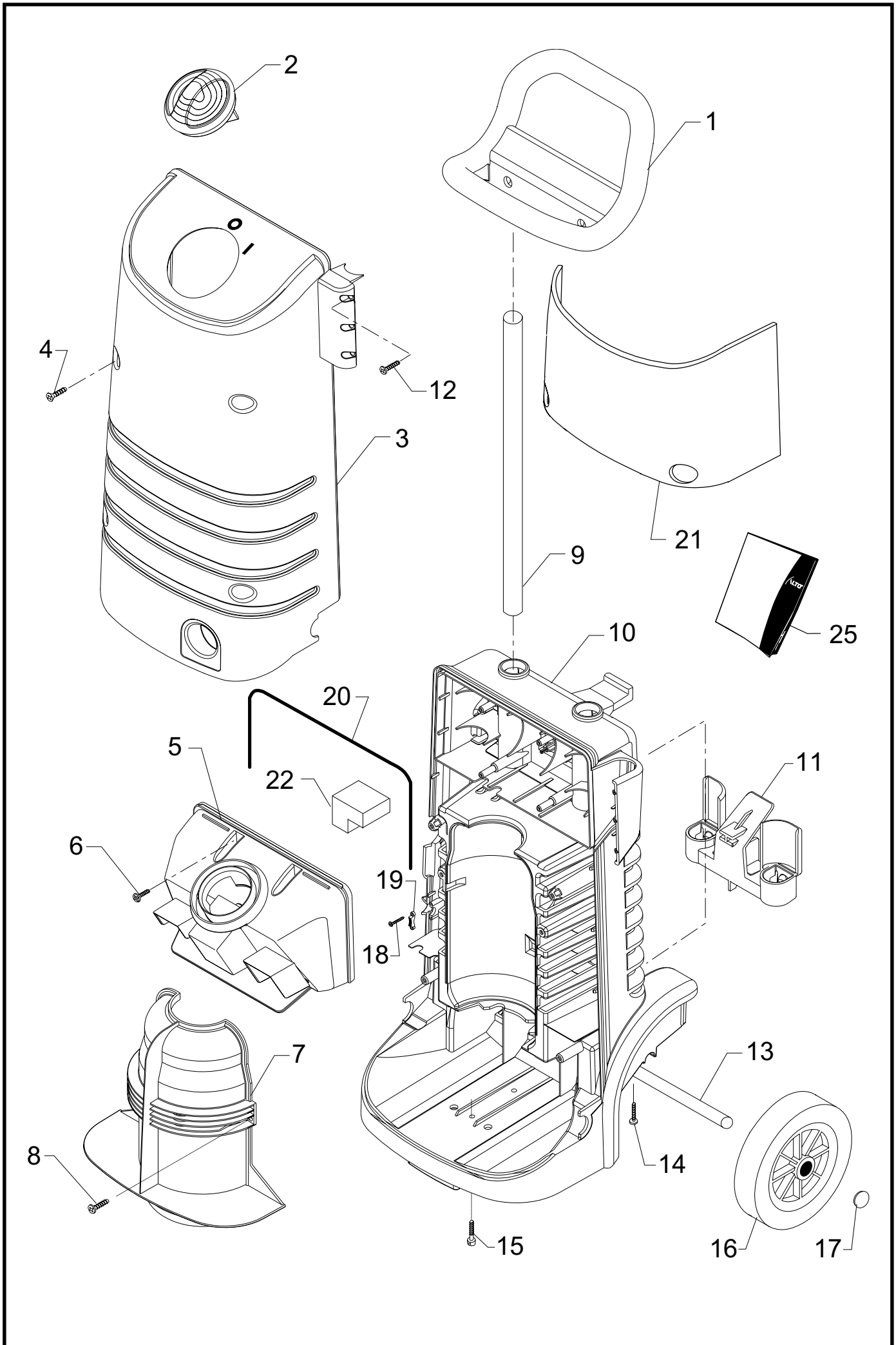
ALTO[®]

Total Cleaning
Confidence[™]

Reservedele
Spare parts
Ersatzteile
Pièces détachées

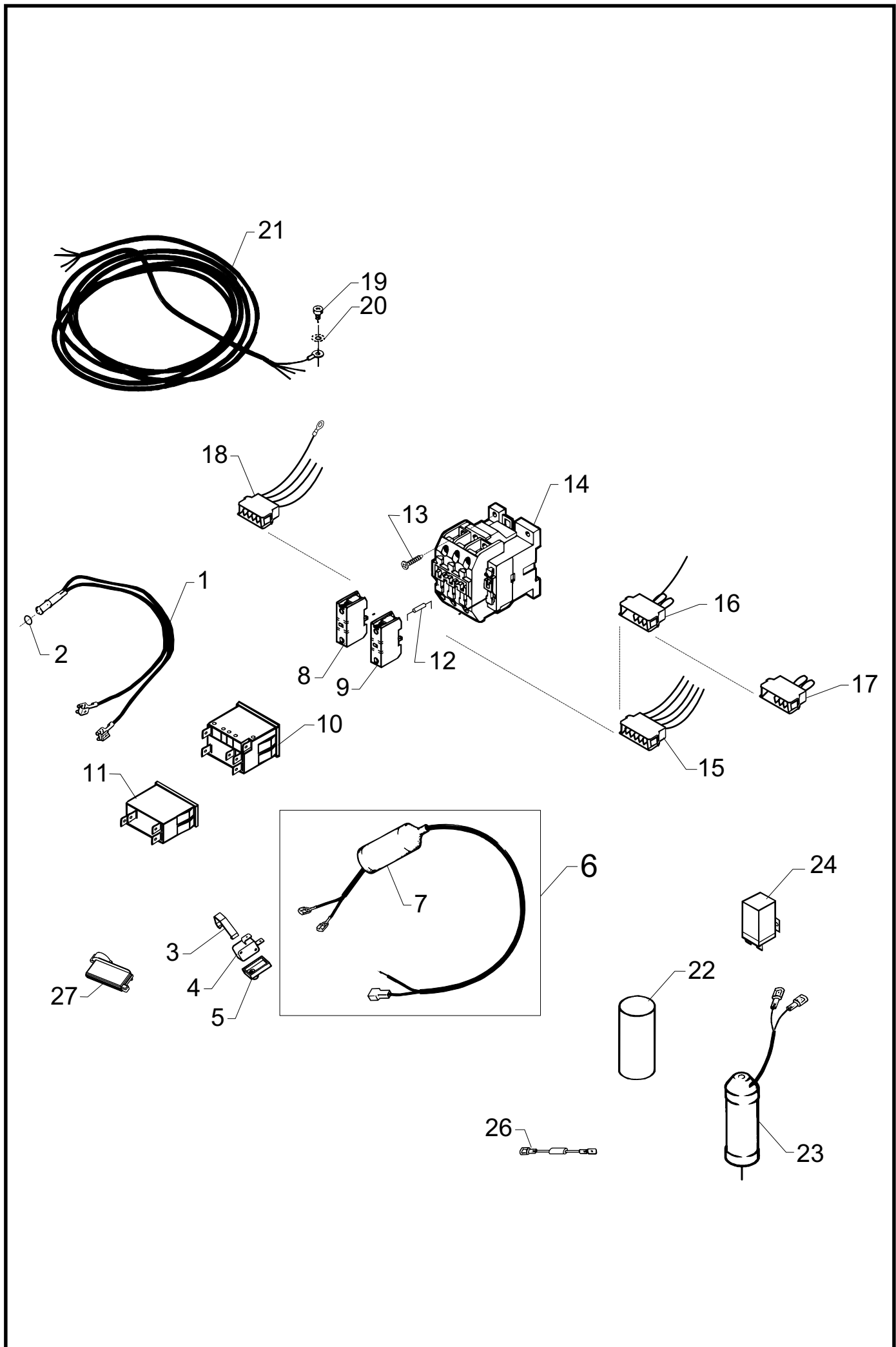
65572 010900

2 INDEX
5



| Pos. Ref. | Nr. No. | Betegnelse Bezeichnung | Designation Désignation | 30CA | 30CA I | 30C I |
|-----------|---------|--|----------------------------|------|--------|-------|
| - | - | Kabinet, komplet Cabinet, compl. Gehäuse, kompl. Capot, compl. | | x | x | x |
| 1 | 7180729 | Kørehåndtag Driving handle Handbügel Poignée de guldage | | 1 | 1 | 1 |
| 2 | 7180726 | Drejknop Button Drehknopf Bouton tournant | | 1 | 1 | 1 |
| 3 | - | Kabinet front Cabinet front Gehäuse, Vorterseite Capot, avant | 30CA COMPACT | 1 | | |
| - | 7180765 | Wap KEW TECHNOLOGIES | | 1 | | |
| - | 7180753 | KEW TECHNOLOGY | | 1 | | |
| - | 7180760 | Wap ALTO Group | | 1 | | |
| 3 | - | Kabinet front Cabinet front Gehäuse, Vorterseite Capot, avant | 30CA COMPACT I | | 1 | |
| - | 7180766 | Wap / KEW TECHNOLOGIES | | | 1 | |
| - | 7180754 | KEW TECHNOLOGY | | | 1 | |
| - | 7180761 | Wap ALTO Group | | | 1 | |
| 3 | - | Kabinet front Cabinet front Gehäuse, Vorterseite Capot, avant | 30C COMPACT I | | | 1 |
| - | 7180767 | Wap / KEW TECHNOLOGIES | | | | 1 |
| - | 7180755 | KEW TECHNOLOGY | | | | 1 |
| 4 | 1814587 | TORX-skrue TORX screw TORX-Schraube Vis-TORX | | 4 | 4 | 4 |
| 5 | 7180720 | Låg for el-dele Cover for electric parts Deckel für Elektrischeteilen Couvercle pour pièces électriques | | 1 | 1 | 1 |
| 6 | 1814508 | Skrue Screw Schraube Vis | | 4 | 4 | 4 |
| 7 | 7180723 | Motorkappe Engine sheel Motorabdeckkappe Capot du moteur | | 1 | 1 | 1 |
| 8 | 1810381 | Skrue Screw Schraube Vis | | 2 | 2 | 2 |
| 9 | 7180735 | Rør Tube Rohr Tuyau | | 2 | 2 | 2 |
| 10 | 7180705 | Kabinet, bagpart Cabinet, rear part Gehäuse, Rückseite Capot, corps d'arrière | | 1 | 1 | 1 |
| 11 | 7180732 | Låsestykke Locking piece Verschlussstück Garniture de serrure | | 1 | 1 | 1 |
| 12 | 1813641 | Skrue Screw Schraube Vis | | 3 | 3 | 3 |
| 13 | 7180736 | Aksel Axle Achse Axe roue | | 1 | 1 | 1 |
| 14 | 1814227 | Skrue Screw Schraube Vis | | 1 | 1 | 1 |

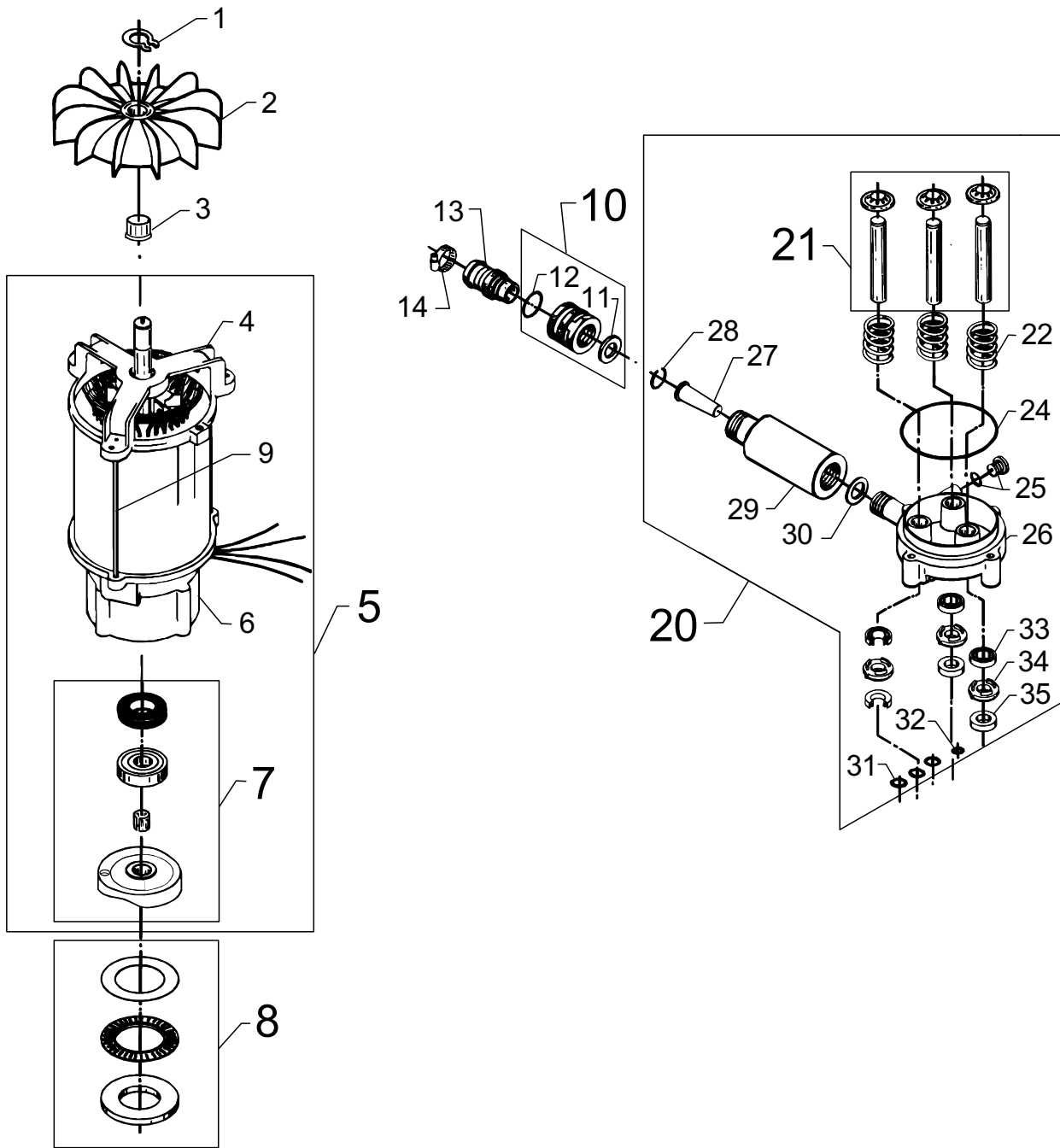
| Pos. Ref. | Nr. No. | Betegnelse Bezeichnung | Designation Désignation | 30CA | 30CA I | 30C I |
|-----------|---------|---|----------------------------|------|--------|-------|
| 15 | 1805837 | Skrue Screw Schraube Vis | | 2 | 2 | 2 |
| 16 | 2013514 | Hjul Wheel Rad Roue | | 2 | 2 | 2 |
| 17 | 7180737 | Navkapsel, sort Hub cap, black Radkappe, schwarz Chapeau de roue, noir | | 2 | 2 | 2 |
| 18 | 6122531 | Skrue Screw Schraube Vis | | 2 | 2 | 2 |
| 19 | 3806262 | Trækafastning Cable lead-in Zugentlastung Dispositif d'attaque auxil. | | 1 | 1 | 1 |
| 20 | 7180900 | Svampegummi Sponge rubber Schwammgummi Caoutchouc spongieux | L=53 | 1 | 1 | 1 |
| 21 | 7180480 | Måtte for kabinetfront Mat f. cabinet front Matte f. Gehäuse vorderteil Matelas pour capot avant | | 1 | 1 | 1 |
| 22 | 7180481 | Skumtætning for el-kasselåg Foam sealing Schaumdichtung Joint caoutchouc | | 2 | 2 | 2 |
| 25 | - | Instruktionsbog Instruction manual Betriebsanweisung Livret d'instructions | Wap / KEW TECHNOLOGIES | | | |
| - | 7189010 | DK, N, S, SF | | x | x | |
| - | 7189011 | GB, D, F, NL, E, I, P, GR, (CDN) | | x | x | x |
| - | 7189018 | USA | | | | |
| - | - | Instruktionsbog Instruction manual Betriebsanweisung Livret d'instructions | Wap ALTO Group | | | |
| - | 7189013 | GB, D, F, NL, E, I, P, GR | | x | x | |
| - | 7189014 | Tillæg / appendix / Anhang / Annexe | | x | x | |



| Pos. Ref. | Nr. No. | Betegnels Bezeichnung | Designation Désignation | 30CA | 30CA I | 30C I |
|-----------|---------|--|--------------------------------------|------|--------|-------|
| - | - | El-dele Electric parts Elektrische Komponenten Éléments électriques | | x | x | x |
| 1 | - | Lampe med ledning , s/s Light indicator with cable, s/s Lampe mit Kabel, S/S Lampe avec câble, m/a | | | | |
| - | 7180100 | 3 ph. | | 1 | | |
| - | 7180101 | 220-240V | | | 1 | |
| - | 7180102 | 100-115V | | | 1 | |
| 2 | 3004263 | O-ring O-ring O-Ring Joint torique | | 1 | 1 | |
| 3 | 6522759 | Bøjle for kontakt, s/s Bracket f. switch, s/s Bügel f. Schalter, S/S Garniture p. contacteur, m/a | ⇒ 26.04.99 | 1 | 1 | |
| 4 | 3821711 | Kontakt, s/s Micro switch, s/s Schalter, S/S Contacteur, m/a | | 1 | 1 | |
| 5 | 6522765 | Kontaktfixtur, s/s Fixture f. switch, s/s Schalterfixtur, S/S Fixation p. contacteur, m/a | ⇒ 26.04.99 | 1 | 1 | |
| 6 | 3830060 | Mellemledning f. kontakt, kompl. Interconnecting cable f. Micro switch, kompl. Zwischenkabel f. Schalter, kompl. | | 1 | | |
| - | 3830061 | Câble de connection p. contacteur, kompl. | | | 1 | |
| 7 | 6523047 | Gummitülle Rubber bush Gummitülle Douille p. câble, caoutchouc | ⇒ 26.04.99 | 1 | 1 | |
| 8 | 3809464 | Hjælpekontakt, NO Auxiliary switch Zusatzschalter Bouton auxiliaire | 3x400/230V, 50Hz 3x440/220V, 60Hz | 1 | | |
| 9 | 3821496 | Hjælpekontakt, NC Auxiliary switch Zusatzschalter Bouton auxiliaire | 3x400/230V, 50Hz 3x440/220V, 60Hz | 1 | | |
| 10 | 3821500 | Afbryder Switch Schalter Interrupteur | | 1 | | |
| 11 | 3821613 | Afbryder, 13A Switch Schalter | 220-240V | | 1 | 1 |
| - | 3821614 | Interrupteur | 100-115V | | 1 | |
| 12 | 3821511 | Modstand, Y/Δ Resistance Widerstand Résistance | 3x400/230V, 50Hz 3x440/220V, 60Hz | 1 | | |
| 13 | 1814590 | Skrue Screw Schraube Vis | | 2 | 2 | |
| 14 | - | Kontaktor Contactor Schütz Contacteur | | | | |
| - | 3821589 | CI15 16A 115V, 60Hz | | | 1 | |
| - | 3821438 | CI15 16A 220-240V, 50/60Hz | | | 1 | |
| - | 3821439 | CI15 16A 400V, 50Hz | | | 1 | |
| - | 3821731 | 16A 100V, 50Hz | | | 1 | |
| - | 3821730 | 16A 100V, 60Hz | | | 1 | |
| - | 3821610 | CI15 16A 110V, 50Hz | | | 1 | |
| 15 | 7180115 | Stik 5-polet, kompl. , Δ Plug 5-polar, kompl. Stecker Fünfpolig, kompl. Fiche - à cinq pôles, compl. | 3x400/230V, 50Hz 3x440/220V, 60Hz | 1 | | |
| 16 | 7180120 | Stik 5-polet, kompl., Y Plug 5-polar, kompl. Stecker Fünfpolig, kompl. Fiche - à cinq pôles, compl. | 3x400/230V, 50Hz 3x440/220V, 60Hz | 1 | | |

| Pos. Ref. | Nr. No. | Betegnels Bezeichnung | Designation Désignation | 30CA | 30CA I | 30C I |
|-----------|---------|---|--------------------------------------|------|--------|-------|
| 17 | 7180105 | Stik 5-polet, kompl. Plug 5-polar, compl. Stecker Fünfpolig, kompl. Fiche - à cinq pôles, compl. | 400V | 1 | | |
| - | 7181418 | Stik 5-polet, kompl. Plug 5-polar, compl. Stecker Fünfpolig, kompl. Fiche - à cinq pôles, compl. | | | 1 | |
| - | 7181415 | Stik 5-polet, kompl. Plug 5-polar, compl. Stecker Fünfpolig, kompl. Fiche - à cinq pôles, compl. | | | | 1 |
| 18 | 7180110 | Stik 4-polet, kompl. Plug 4-polar, compl. Stecker Vierpolig, kompl. Fiche - à quatre pôles, compl. | 3x400/230V, 50Hz 3x440/220V, 60Hz | 1 | | |
| 19 | 1800606 | Jordskrue Earth screw Erdschraube Vis de terre | M4x10 | 1 | 1 | 1 |
| 20 | 1800655 | Sikringssskive Washer Scheibe Rondelle | | 2 | 2 | 2 |
| 21 | 7180920 | El-kabel El. cable Anschlusskabel Câble électrique | | 1 | | |
| - | - | El-kabel El. cable Anschlusskabel Câble électrique | | | 1 | |
| - | 7180226 | EUR | | | 1 | |
| - | 7180227 | CH | | | 1 | |
| - | 7180228 | DK | | | 1 | |
| - | 7180230 | AUS | | | 1 | |
| - | 7180225 | 240V GB | | | 1 | 1 |
| - | 7180232 | 110V GB | | | 1 | |
| - | 7180231 | CDN, CN, ROK | | | 1 | |
| - | 7180229 | J | | | 1 | |
| - | 7180233 | w. GFCI (220-240V), USA | | | 1 | |
| - | 3821649 | w. GFCI 15A | | | 1 | |
| 22 | 3821343 | Kondensator (drift), 50 µF Capacitor (operation) Kondensator (Betrieb) Condensateur (fonction.) | 220-240V | 1 | 1 | |
| - | 3821626 | Kondensator (drift), 100 µF Capacitor (operation), Kondensator (Betrieb) Condensateur (fonction.) | 115V, 110V | | 1 | |
| 23 | 3821696 | Kondensator (start), 50 µF Capacitor (start-up) Kondensator (Start) Condensateur (marche) | 220V, 60Hz | | 1 | |
| - | 3821063 | Kondensator (start), 160-200 µF Capacitor (start-up) Kondensator (Start) Condensateur (marche) | 220-240V, 50Hz | | 1 | 1 |
| - | 3821695 | Kondensator (start), 160-200 µF Capacitor (start-up) Kondensator (Start) Condensateur (marche) | 115V, 110V | | 1 | |
| 24 | 3821581 | Startrelæ, grøn Starter relay, green Anlaufrelais, grün Relais de démarrage, vert | 100-115V | | 1 | |
| - | 3821582 | Startrelæ, blå Starter relay, blue Anlaufrelais, blau Relais de démarrage, bleu | 220-240V | | 1 | 1 |
| 26 | 7180290 | Kondensator Capacitor | 0,68 µF | | 1 | 1 |
| - | 7180291 | Kondensator Condensateur | (115V, 230V f. USA) | (1) | 1 | |
| 27 | 7181448 | Box for kontakt Micro-switch box Gehäuse für Schalter Boîte pour micro-switch | 26.04.99 ⇒ | 1 | 1 | 1 |

65572_010900

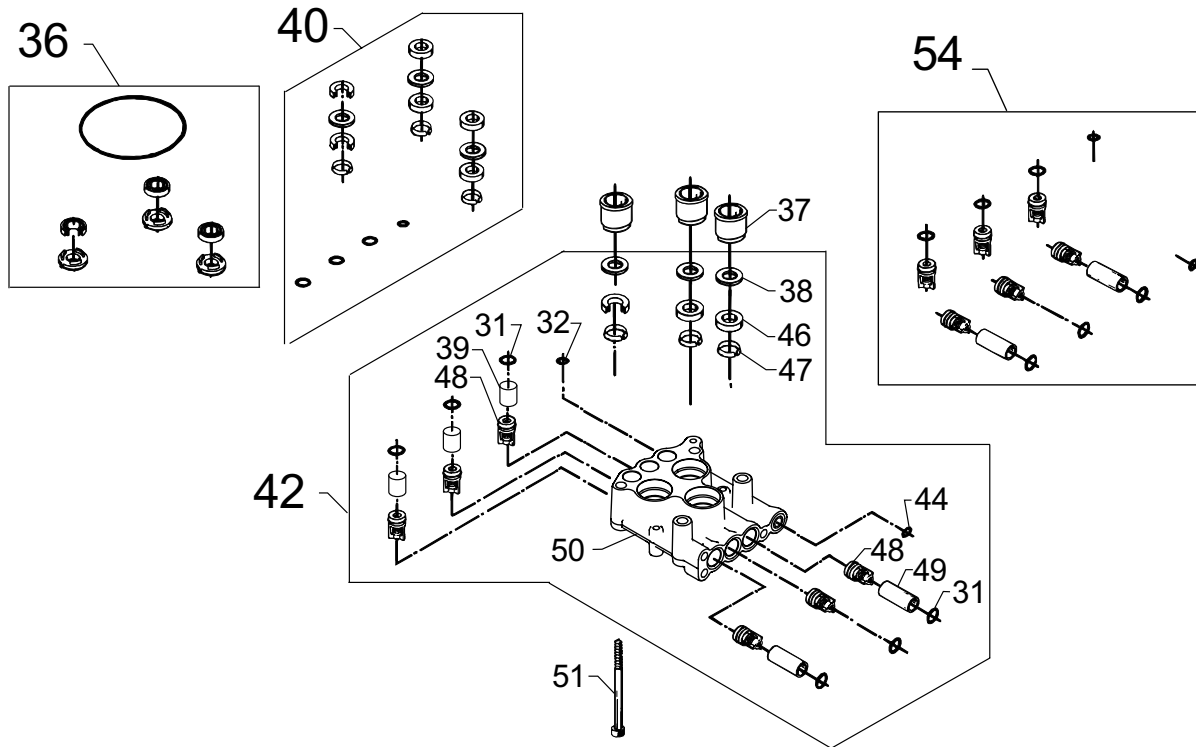


| Pos. Ref. | Nr. No. | Betegnels Bezeichnung | Designation Désignation | 30CA | 30CA I | 30C I |
|-----------|---------|--|----------------------------|------|--------|-------|
| - | - | Motorpumpeenhed, komplet Motor pump unit, complete Motorpumpeneinheit, komplett Groupe électropompe, compl. | | x | x | x |
| 1 | 1814583 | Låsering Circlip Schliessring Circlip | | 1 | 1 | 1 |
| 2 | 6122476 | Ventilator Fan Ventilator Ventilateur | | 1 | 1 | 1 |
| 3 | 7180460 | Bøsning Bush Buchse Baque | | 1 | 1 | 1 |
| 4 | 7180923 | N-lejedæksel Rear bearing cover N-Lagerdeckel AR-flasque de carter | | 1 | 1 | 1 |
| 5 | - | Motor m. skrårskive Motor w. wobble disc Motor m. Taumelscheibe Moteur avec disque obl. | | x | x | x |
| - | 7180965 | 230V - 12A | | | 1 | |
| - | 7180972 | 240V - 12A | | | 1 | 1 |
| - | 7180966 | 230V, 50Hz - 10A | | | 1 | |
| - | 7180967 | 115V, 60Hz - 15A | | | 1 | |
| - | 7180968 | 110V, 50Hz - 15A | | | 1 | |
| - | 7180969 | 100V, 50Hz - 15A | | | 1 | |
| - | 7180970 | 100V, 60Hz - 15A | | | 1 | |
| - | 7180971 | 220V, 60Hz - 12A | | | 1 | |
| - | 7180910 | 400V, 400/230V, 50 Hz | | 1 | | |
| - | 7180911 | 415V, 50 Hz | | 1 | | |
| - | 7180912 | 440/220V, 60 Hz | | 1 | | |
| 6 | 7180922 | D-lejedæksel, kompl. Front bearing cover, compl. D-Lagerdeckel, kompl. AV-flasque de carter, compl. | | 1 | 1 | 1 |
| 7 | - | Rep.kit, skrårskive Rep.kit, wobble disc Rep.satz, Taumelscheibe Kit de rép., disque oblique | | x | x | x |
| - | 1119833 | 230V 60Hz, 12A | USA, ROK, CH | (1) | 1 | |
| - | 1119834 | 230V 50Hz, 10A | DK, CH | | 1 | |
| - | 1119836 | 115V 60Hz, 100V 50Hz | USA, J | | 1 | |
| - | 1119837 | 100V 60Hz | J | | 1 | |
| - | 1119703 | 50Hz | | 1 | | |
| - | 1119704 | 60Hz - 3 ph, (1x230-240V, 12A) | | 1 | 1 | 1 |
| 8 | 1119705 | Rep.kit, leje Rep.kit, bearing Rep.satz, Lager Kit de rép., palier | | 1 | 1 | 1 |
| 9 | 7180924 | Stagbolt Stud Stehbolzen Entretoise | | 3 | 3 | 3 |
| 10 | 1602945 | Lynkobling, kompl. Quick coupling Schnellkupplung, kompl. Coupleur rapide, compl. | | 1 | 1 | 1 |
| 11 | 3001237 | Pakning Gasket Dichtung Joint | | 1 | 1 | 1 |
| 12 | 3000320 | O-ring O-ring O-Ring Joint torique | | 1 | 1 | 1 |
| 13 | - | Lynkoblingsnippel (lavtryk) Nipple f. quick coupling (L.p.) Nippel f. Schnellkupplung (N.druck) Entree du coupleur rapide (b. p.) | | | | |
| - | 1604669 | 1/2" | | | | |
| - | 1600659 | 3/4" | | | | |
| - | 1605955 | USA | | | | |

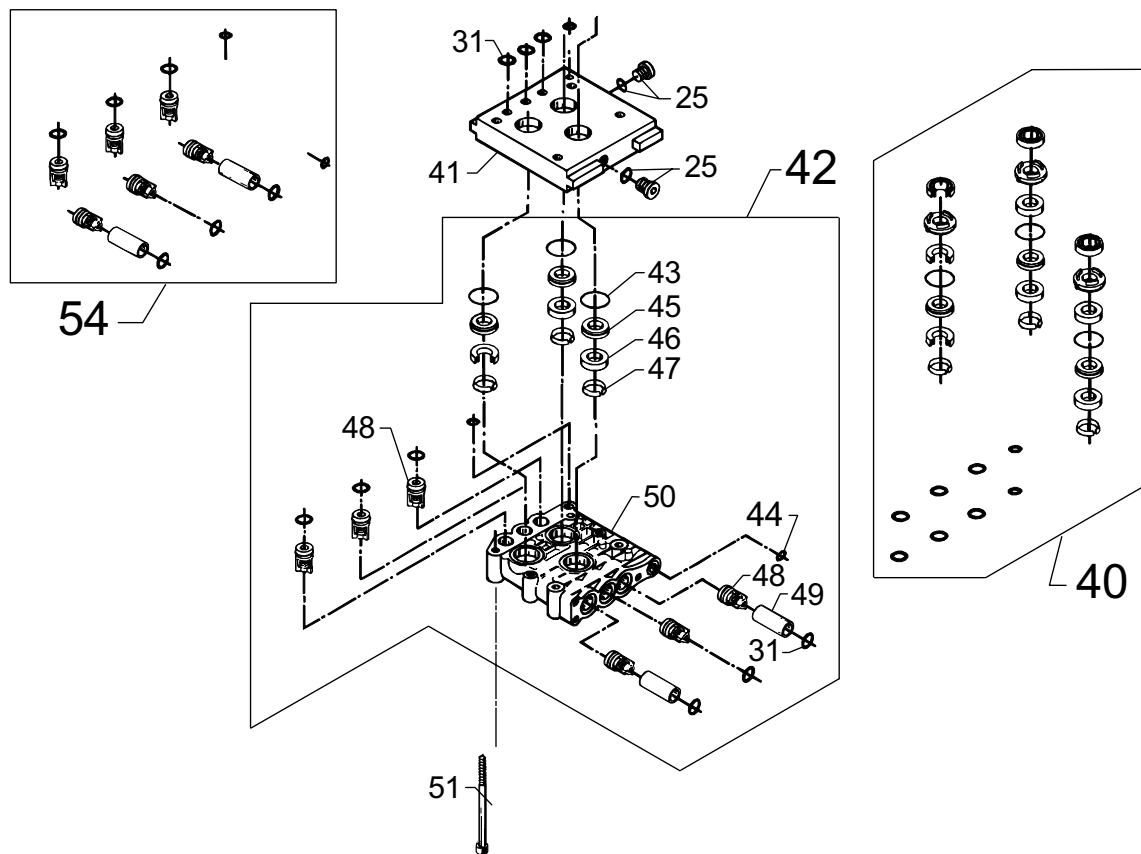
| Pos. Ref. | Nr. No. | Betegnels Bezeichnung | Designation Désignation | 30CA | 30CA I | 30C I |
|-----------|---------|---|----------------------------|------|--------|-------|
| 14 | 1802107 | Spændebånd Hose clip Schlauchschelle Collier de serrage | | 1 | 1 | 1 |
| 20 | 7180904 | Cylinderblok, komplet Cylinder block, complete Zylinderblock, komplett Bloc-cylindre, compl. | 99.48 ⇒ | x | x | x |
| 20 | 7180903 | Cylinderblok, komplet Cylinder block, complete Zylinderblock, komplett Bloc-cylindre, compl. | ⇒ 99.47 | x | x | x |
| 21 | 1119791 | Rep.sæt, stempel Rep. kit, piston Rep. satz, Kolben Kit de rép., piston | 99.48 ⇒ | 1 | 1 | 1 |
| 21 | 1119706 | Rep.sæt, stempel Rep. kit, piston Rep. satz, Kolben Kit de rép., piston | ⇒ 99.47 | 1 | 1 | 1 |
| 22 | 2602490 | Fjeder Spring Feder Ressort | 99.48 ⇒ | 3 | 3 | 3 |
| 22 | 2601417 | Fjeder Spring Feder Ressort | ⇒ 99.47 | 3 | 3 | 3 |
| 24 | 3003654 | O-ring O-ring O-Ring Joint torique | | 1 | 1 | 1 |
| 25 | 6122313 | Prop med O-ring Plug with O-ring Pfropfen mit O-Ring Bouchon avec joint torique | | 4 | 4 | 4 |
| 26 | 7181005 | Cylinderblok Cylinder block Zylinderblock Bloc-cylindre | | 1 | 1 | 1 |
| 27 | 6125144 | Filter Filter Filter Filtre | | 1 | 1 | 1 |
| 28 | 1807833 | Springring Spring ring Klemmring Anneau à ressort | | 1 | 1 | 1 |
| 29 | 7180462 | Omløber Union nut Überwurfmutter Ecrou | | 1 | 1 | 1 |
| 30 | 3001690 | O-ring O-ring O-Ring Joint torique | | 1 | 1 | 1 |
| 31 | 3004222 | O-ring O-ring O-Ring Joint torique | | 12 | 12 | 12 |
| 32 | 3001823 | O-ring O-ring O-Ring Joint torique | | 2 | 2 | 2 |
| 33 | 3003696 | Oliemanchet Oil sleeve Ölmanschette Rondelle d'huile | | 3 | 3 | 3 |
| 34 | 7181006 | Trykring Thrust collar Druckring Anneau de blocage | 99.48 ⇒ | 3 | 3 | 3 |
| 34 | 6122486 | Trykring Thrust collar Druckring Anneau de blocage | ⇒ 99.47 | 3 | 3 | 3 |
| 35 | 3004259 | Pakning Gasket Dichtung Joint | | 3 | 3 | 3 |

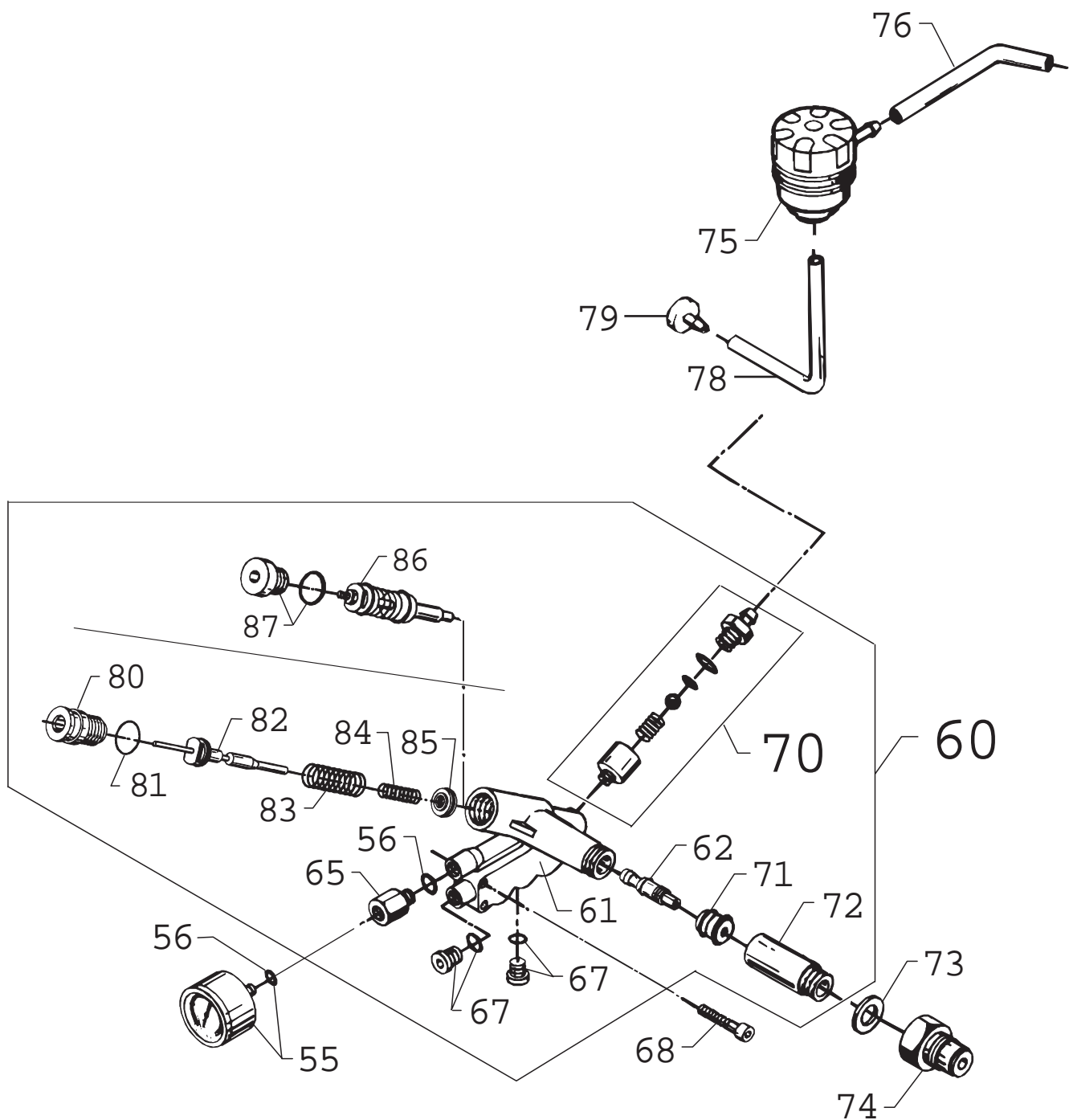
65572 010900

| 99.48 ⇒



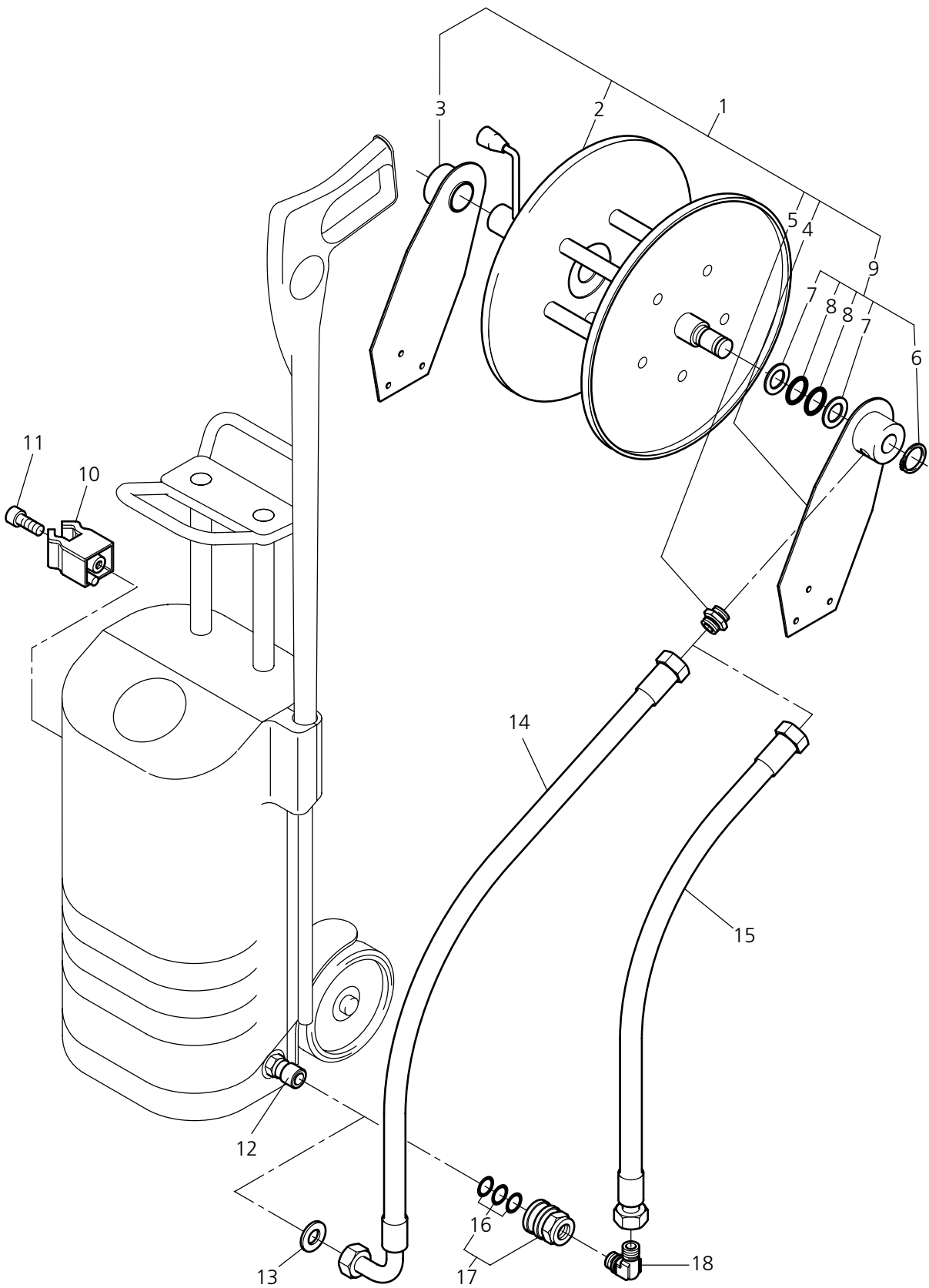
⇒ 99.47 |





| Pos. Ref. | Nr. No. | Betegnelse Bezeichnung | Designation Désignation | 30CA | 30CA I | 30C I |
|-----------|---------|--|----------------------------|------|--------|-------|
| 55 | 7180931 | Manometer med O-ring Pressure gauge with O-ring Manometer mit O-Ring Manomètre avec joint torique | | 1 | 1 | 1 |
| 56 | 3003662 | O-ring O-ring O-Ring Joint torique | | 2 | 2 | 2 |
| 60 | - | Omløbsventil, komplet By-pass valve, complete Umlaufventil, komplett Soupape by-pass, compl. | 99.48 ⇒ | x | x | x |
| - | 7180945 | 1 ph. | | | x | |
| - | 7180946 | 1 ph., 10A | DK,CH | | x | |
| - | 7180947 | 1 ph. | | | | x |
| - | 7180944 | 3 ph. | | x | | |
| 60 | - | Omløbsventil, komplet By-pass valve, complete Umlaufventil, komplett Soupape by-pass, compl. | ⇒ 99.47 | x | x | x |
| - | 7180941 | 1 ph. | | | x | |
| - | 7180942 | 1 ph., 10A | DK,CH | | x | |
| - | 7180943 | 1 ph. | | | | x |
| - | 7180940 | 3 ph. | | x | | |
| 61 | 7180657 | Ventilhus Valve housing Ventilgehäuse Boîte de soupape | 99.48 ⇒ | 1 | 1 | 1 |
| 61 | 6124237 | Ventilhus Valve housing Ventilgehäuse Boîte de soupape | ⇒ 99.47 | 1 | 1 | 1 |
| 62 | - | Styredyse, komplet Steering nozzle, compl. Steuerdüse, kompl. Buse de guidage, compl. | | 1 | 1 | 1 |
| - | 6124310 | grøn, green, grün, vert | | | 1 | |
| - | 6124311 | blå, blue, blau, bleu | DK,CH | | 1 | 1 |
| - | 7180932 | grå, grey, grau, gris | | 1 | | |
| 65 | 6124127 | Afstandsstykke for manometer Spacer for pressure gauge Ansatzstück für Manometer Rallonge p. Manomètre | | 1 | 1 | 1 |
| 67 | 6123655 | Prop med O-ring Plug with O-ring Pfropfen mit O-Ring Bouchon avec joint torique | | 2 | 2 | 2 |
| 68 | 1813864 | Skrue Screw, M8x35 Schraube Vis | 99.48 ⇒ | 3 | 3 | 3 |
| 68 | 1814573 | Skrue Screw, M6x35 Schraube Vis | ⇒ 99.47 | 3 | 3 | 3 |
| 70 | 6124314 | Slangestuds, kompl. Hose tail, compl. Schlauchstutzen, kompl. Raccord de tuyau, compl. | | 1 | 1 | 1 |
| 71 | 6124316 | Nippel m. O-ring Nipple w. O-ring Nippel m. O-Ring Adaptateur a. joint torique | | 1 | 1 | 1 |
| 72 | 7180461 | Gevindestykke Threaded piece Gewindestück Pièce avec filetage | | 1 | 1 | 1 |
| 73 | 1801075 | Tætningskive Sealing washer Dichtungsscheibe Rondelle d'étanchéité | | 1 | 1 | 1 |
| 74 | 1600493 | Lynkoblingsnippel (højtryk) Nipple f. quick coupling (high pressure) Schnellkupplungsnippel (Hochdruck) Entre du coupleur rapide (haute pression) | | 1 | 1 | 1 |
| 75 | 7180907 | Doserventil Dosing valve Dosierungsventil Soupape de dosage | | 1 | 1 | 1 |

| Pos. Ref. | Nr. No. | Betegnelse Bezeichnung | Designation Désignation | 30CA | 30CA I | 30C I |
|-----------|---------|---|----------------------------|------|--------|-------|
| 76 | 2406425 | Slange Hose Schlauch Flexible | | 2 | 2 | 2 |
| 78 | 2406428 | Slange Hose Schlauch Flexible | | 1 | 1 | 1 |
| 79 | 6400240 | Filter Filter Filter Filtre | | 1 | 1 | 1 |
| 80 | 6523000 | Pakdåse, kompl. Stuffing box, compl. Stopfbuchse, kompl. Presse-étoupe, compl. | | 1 | 1 | |
| 81 | 3004245 | O-ring O-ring O-Ring Joint torique | | 1 | 1 | |
| 82 | 6523003 | Stempel f. s/s, kompl. Piston f. s/s, compl. Kolben f. S/S, kompl. Piston p. m/a, compl. | | 1 | 1 | |
| 83 | 2602431 | Fjeder, stor Spring, big Feder, gros Ressort, gros | | 1 | 1 | |
| 84 | 2602509 | Fjeder, lille Spring, small Feder, klein Ressort, petit | | 1 | 1 | |
| 85 | 7180930 | Sæde f. s/s, kompl. Seat f. s/s, compl. Sitz f. s/s, kompl. Siège p. m/a, compl. | | 1 | 1 | |
| 86 | 6124313 | Ventilkegle, komplet Valve cone, complete Ventilkegel, komplett Cône p. clapet, compl. | | | | 1 |
| 87 | 6124334 | Prop med O-ring, messing Plug with O-ring, brass Pfropfen mit O-Ring, Messing Bouchon avec joint torique, laiton | | | | 1 |
| - | 5218433 | „Castrol, Alphasyn -T“ ISO 150 (1 x 1L) | | x | | |
| - | 5218602 | Pump oil HV68 (1 x 1L) | | | x | x |



| POS. | NO. | BEZEICHNUNG | DESCRIPTION | DESIGNATION |
|------|---------|---|-----------------------------|--------------------------|
| 1 | 65557 | Schlauchtrommel kpl. ALTO Wap KEW Technology | | |
| | 66023 | Schlauchtrommel kpl. Wap ALTO Group | | |
| 2 | 63787 | Schlauchtrommel Wap ALTO Group | | |
| | 65574 | Schlauchtrommel ALTO Wap KEW Technolgy | | |
| 3 | 66021 | Lagerbock | | |
| 4 | 66022 | Lagerbock | | |
| 5 | 3938 | Verschraubung XG12LR1/4 " | Screwing | Raccord |
| 6 | 32524 | Sicherungsring D20x1,2 | Safety ring D20x1,2 DIN 471 | Circlips D20x1,2 DIN 471 |
| 7 | 63792 | Stützring Ø16,26x2,18 | NBR 90 Shore A | |
| 8 | 19620 | O-Ring 15,0 x2,65 | NBR70 | O-RING |
| 9 | 62317 | Dichtungssatz f.Schlauchtrommel | | |
| 10 | 65447 | Klammer Befestigungs- f.Sprührohr 30CA | | |
| 11 | 11253 | Schraube KA5,0x20 | Screw KA5,0x20 | Vis KA5,0x20 |
| 12 | 64235 | Konverter G3/8 "xM27x1,5 innen Wap ALTO Group | Ms | |
| 12 | 1600493 | Nippel 3/8 " für Schnellkupplung ALTO Wap KEW Technology | | |
| 13 | 65466 | Dichtring 8x15x1 A7603 Wap ALTO Group | | |
| 14 | 65457 | HD-Schlauch DN 8x405 M18x1,5 3/8 " 90° Wap ALTO Group | | |
| 15 | 65455 | HD-Schlauch DN 8x380 250bar/150° M18x1,5 ALTO Wap KEW Technology | | |
| 16 | 3000320 | O-Ring ALTO Wap KEW Technology | | |
| 17 | 1402890 | Schnellkupplung 3/8 " ALTO Wap KEW Technology | | |
| 18 | 1823 | Verschraubung WE 12L/R3/8 " ALTO Wap KEW Technology | SCREWING | |